

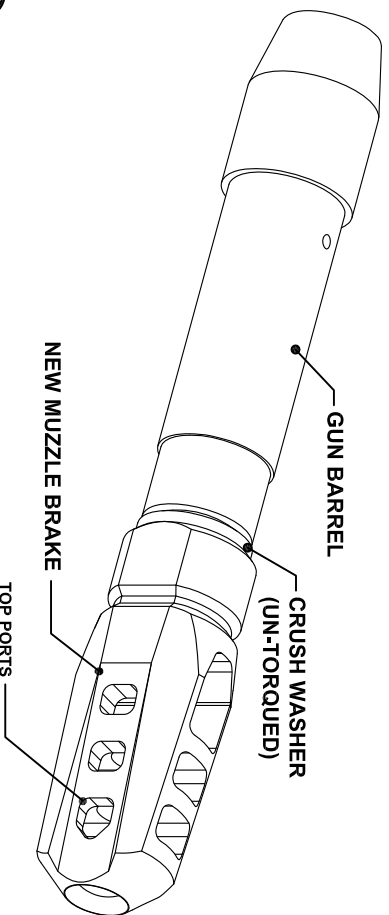


INSTALLATION INSTRUCTION



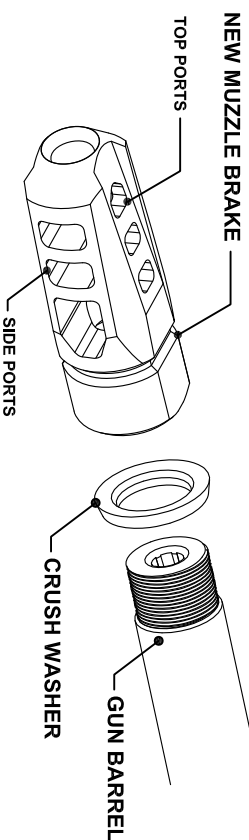
Before performing any steps, all ammunitions must be removed from the firearms. Remove the magazine from the firearm. Fully pull the slide or bolt group to eject the round from the chamber. Visually inspect through the ejection port to verify that no ammunition is in the chamber. Always keep the muzzle pointed in a safe direction. Without performing this safety precaution may cause serious injury or death to personals. MECHFORCE is not liable for any damage or injury sustained through improper installation.

- 1 Choose the correct crush washer to use. There are four crush washers supplied with the package each with different thickness that will give four different thread starting angles (the muzzle device's orientation angle when fully threaded in with the crush washer un-torqued) each offset 90 degrees.
- 2 Try put each crush washer on with the muzzle brake full threaded in but un-torqued. Use the one that will give the result matching or close with the image below, which the top ports on the muzzle brake pointing 9 o'clock position.



- 3 Clean the barrel thread and apply thread locker compound. (Thread locker is not included in this package.)
- 4 Slide the chosen Crush Washer over the muzzle threads with the concave side facing the new muzzle brake, and the convex side is facing the receiver.

WWW.MECHFORCE-USA.COM



- 5 Screw the new muzzle device onto the barrel thread snug tight then use a wrench to torque the muzzle brake clockwise to about 90° rotation (20 - 30 ft-lbs).
- 6 Fine tune the orientation of the muzzle device until the top ports are at the 12 O'clock position perfectly and the side ports are horizontal.

NOTE:
1. Only one crush washer shall be used. Do not use more than one crush washer per barrel thread. Do not use crush washer in combination of other parts (shims, jam nut).
2. Crush washer shall not be reused after crushed (permanently deformed).

PRODUCT SPECIFICATION

Product Name: Variable Timing Crush Washers F/ 5/8 - 24 Thread Muzzle devices
Part Number: P50020
Material: Proprietary Heat Treated Millspec Steel
Finish: Black Phosphate
Weight: 1 OZ
Thread: Designed to Ft 5/8-24 TPI
MADE IN USA

WWW.MECHFORCE-USA.COM