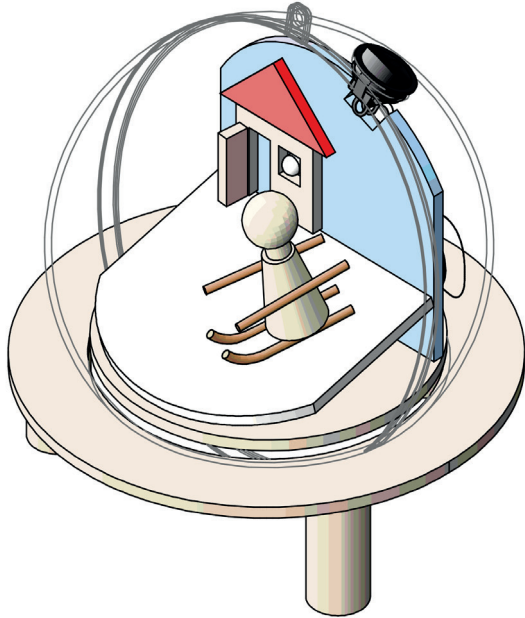
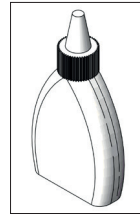


116.404

Acrylic Ball with Candle Light



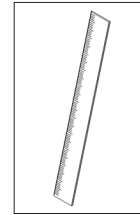
Required Tools



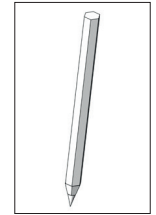
Wood Glue



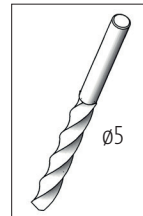
Scissor



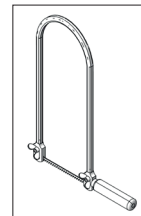
Ruler



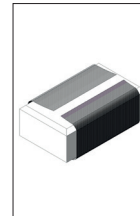
Pencil



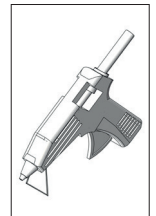
Driller



Jigsaw



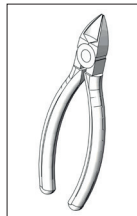
Sandpaper



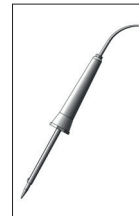
Hot Glue Gun

Please Note!

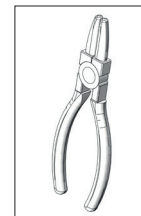
The Opitec Range of projects is not intended as play toys for young children. They are teaching aids for young people learning the skills of craft, design and technology. These projects should only be undertaken and operated with the guidance of a fully qualified adult. The finished projects are not suitable to give to children under 3 years old. Some parts can be swallowed. Danger of suffocation!



Side Cutter



Soldering Iron



Round Nose Pliers



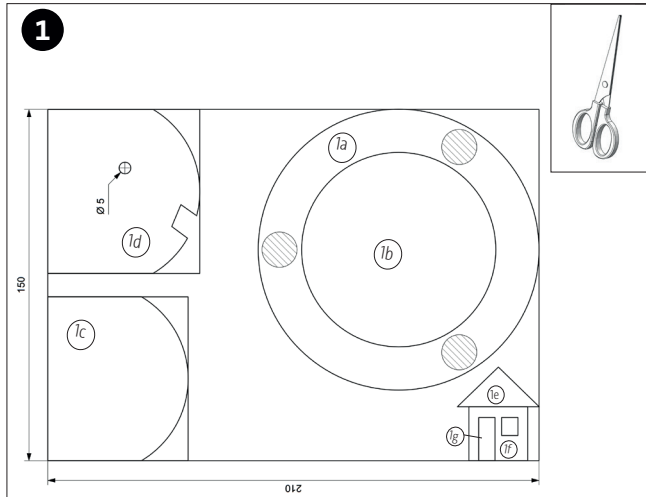
File



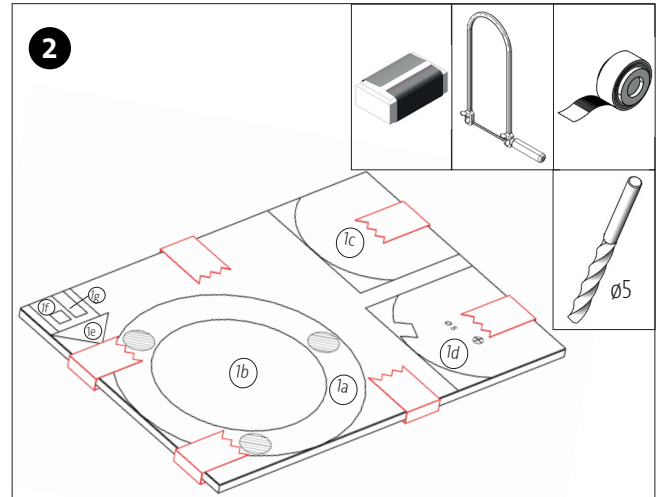
Adhesive Tape

Contents List	Qty:	Size (mm)	Designation	Part No.
Plywood	1	210x150x4	Base Plate	1
Rod	1	100x15	Underframe	2
Plastic Ball with Hole	1	ø100	Plastic Ball	3
Figures	1	ø15x34	Figures	4
Welding Wire	1	ø2x200	Welding Wire	5
Battery Holder	1		Battery Holder	6
Button Cell	1		Current Source	7
Current Source	1	ø16,3	Switch	8
Candle Light LED	1	ø5	LED	9
Stranded Hoop-Up Wire Black	1	500	Cabling	10

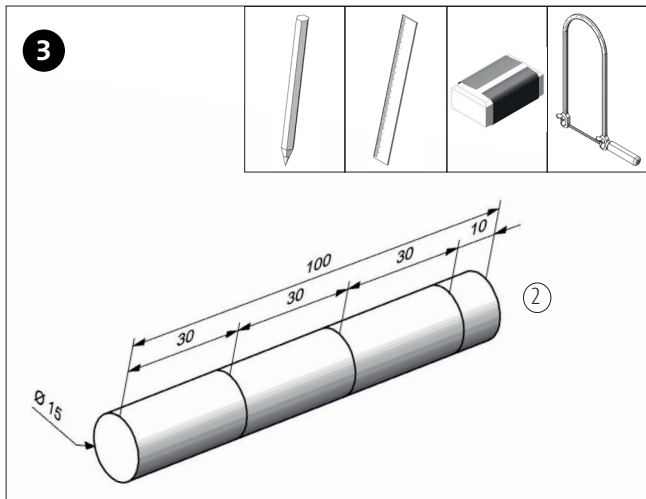
Instructions 116404
Acrylic Ball with Candle Light



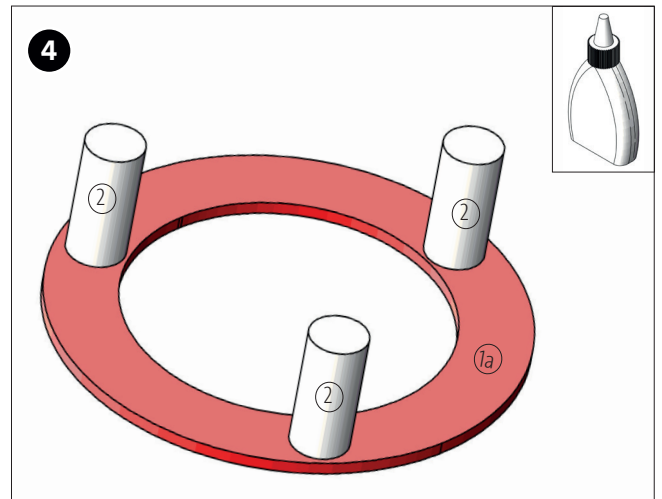
Cut the template. (Page 5).



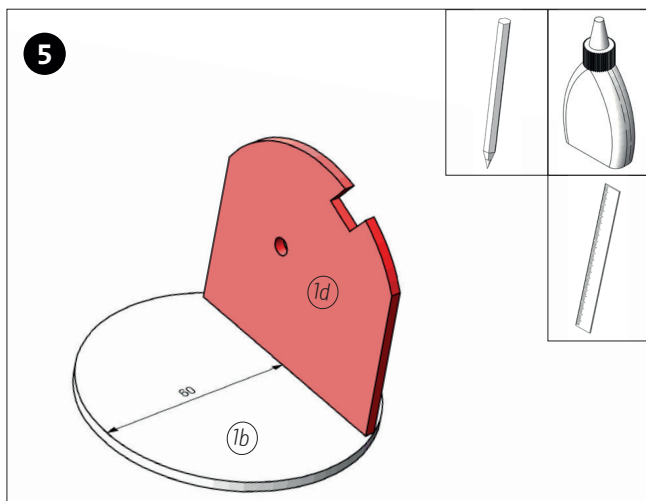
Fix the former plate on the base (1) and cut the individual parts (1a – 1g) with the jigsaw. Clean the saw cuts with sandpaper. Drill the $\varnothing 5$ mm hole



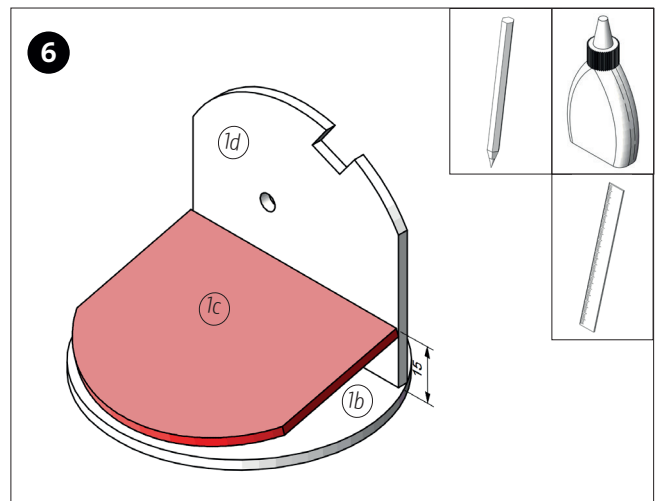
Measure and mark each 30 mm on the rod (2) as shown. Then cut the lines with the jigsaw and clean the saw cuts with sandpaper.



Glue the 30 mm long pieces (2) to the shaded points of the wooden ring (1a). Let it dry well.

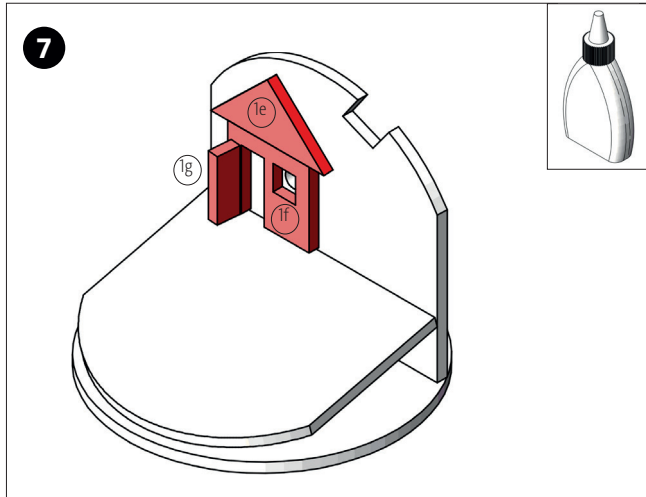


Measure and mark 60 mm on part (1b). In addition glue part (1d) vertical to the marked line as shown and let it dry well.

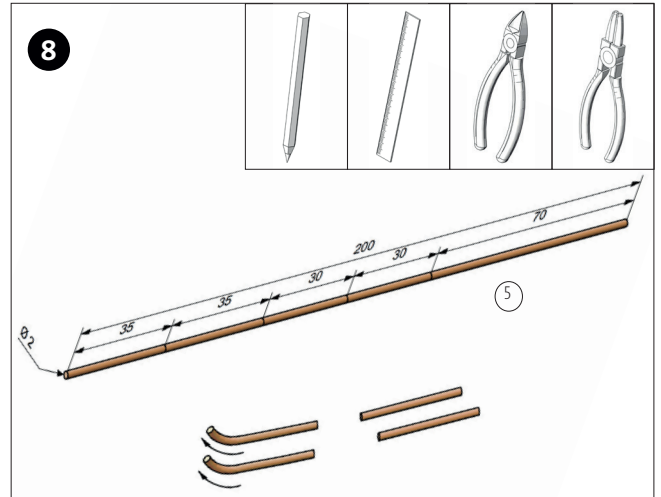


Measure and mark from the bottom edge of part (1d) 15mm. Now glue the footwall cut-off of part (1c) to part (1d) as shown. Glue the leading edge to part (1b), so that part (1c) is diagonal.

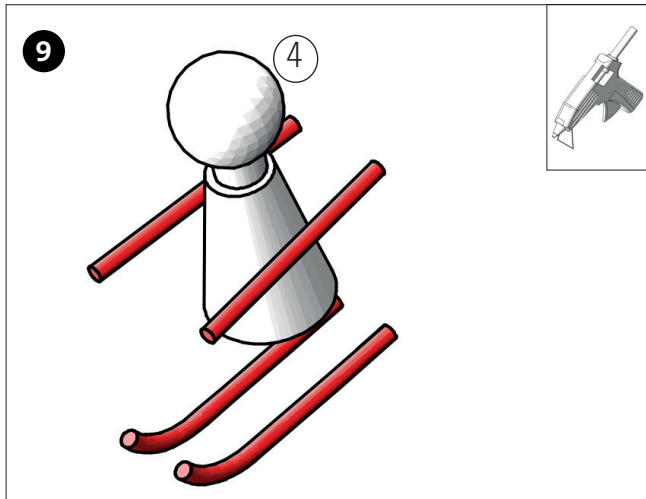
Instructions 116404
Acrylic Ball with Candle Light



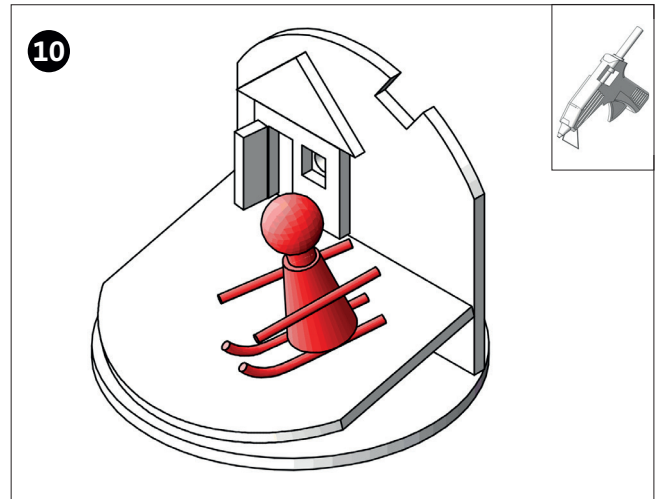
Glue the wooden parts (1e – 1g) to the backwall (1d) as shown. Look to it that, the window opening binds the drill (ø5mm). Glue the door (1g) vertical to part (1f). Add colour at will.



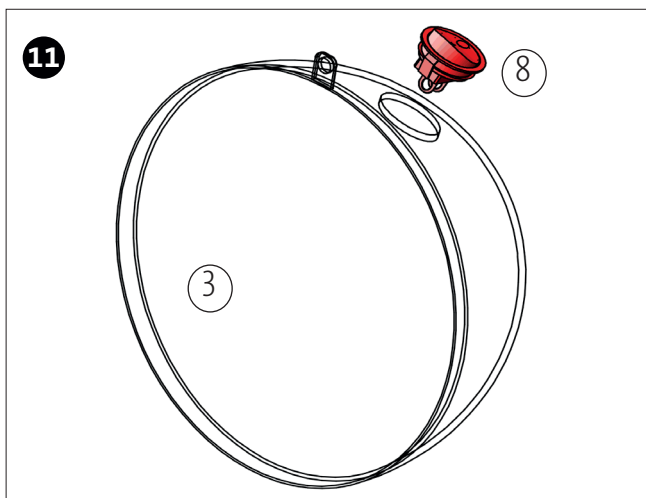
Glue the wooden parts (1e – 1g) to the backwall (1d) as shown. Look to it that, the window opening binds the drill (ø5mm). Glue the door (1g) vertical to part (1f). Add colour at will.



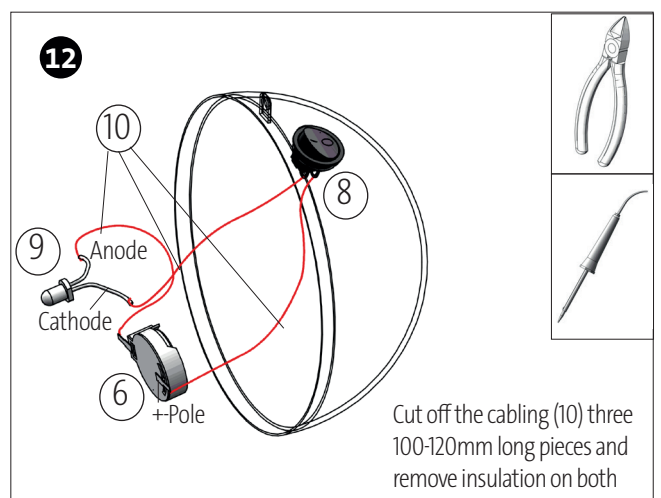
the wire parts with the hot glue gun to the wooden figure (4). Then colour it at will.



Glue the wooden figure to the diagonal plate (1c) as shown. Moreover put the wooden landscape into the acrylic ball and check the fitting. Rebuild if necessary.



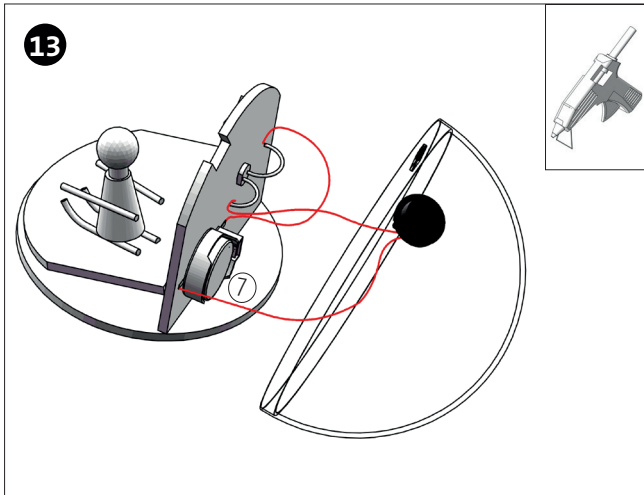
Glue the wooden figure to the diagonal plate (1c) as shown. Moreover put the wooden landscape into the acrylic ball and check the fitting. Rebuild if necessary.



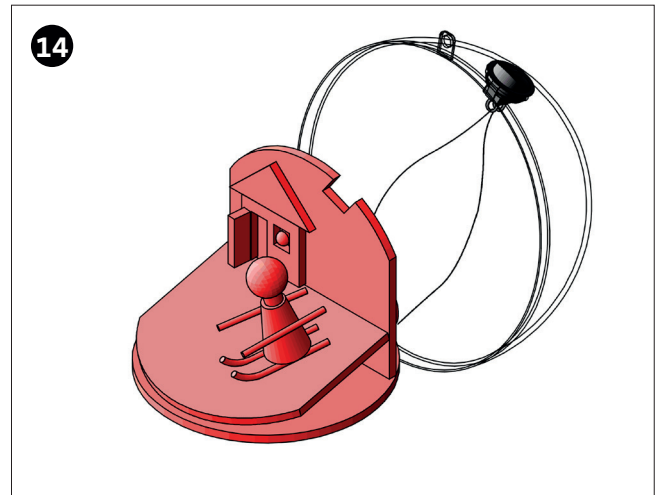
Cut off the cabling (10) three 100-120mm long pieces and remove insulation on both sides.

Glue the wooden figure to the diagonal plate (1c) as shown. Moreover put the wooden landscape into the acrylic ball and check the fitting. Rebuild if necessary.

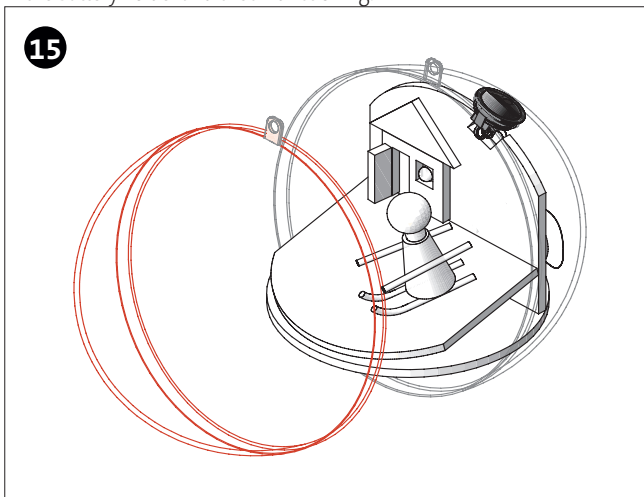
Instructions 116404
Acrylic Ball with Candle Light



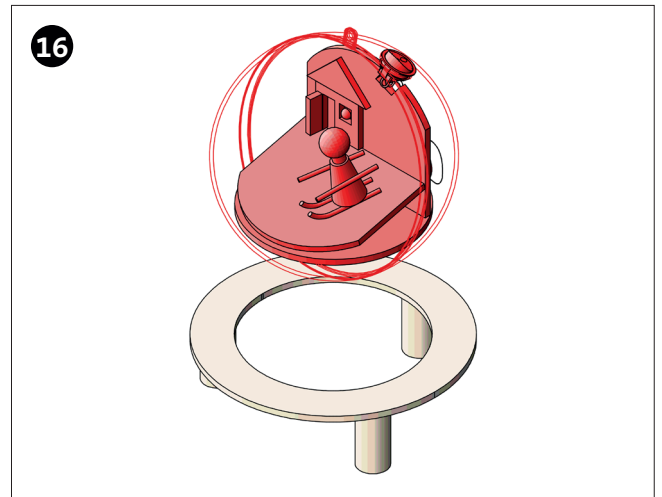
Attach the battery holder with hot glue to the backside of the back wall (1d) as shown. Put the LED into the drilling. Furthermore put the button cell (7) in the battery holder and check functioning.



Colour the landscape at will and let it dry well. Then put the landscape in the acrylic ball.



Last clip on the second ball half.



Place the finished ball on the support. Alternatively thread a string through the eyelet and hang up the ball. Done!

