

Installation Guide



GABRIEL ASH

RHS 'Hyde Hall'
Planthouse



RHS 'Wisley'
Planthouse










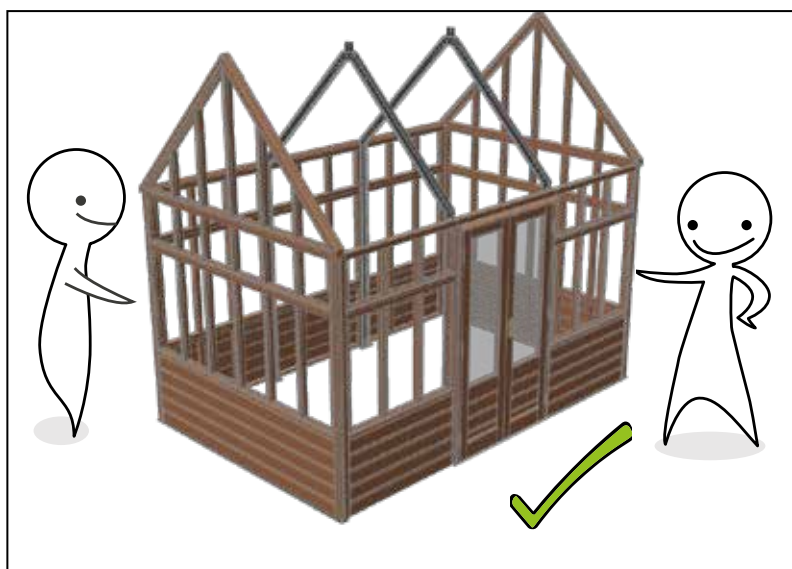
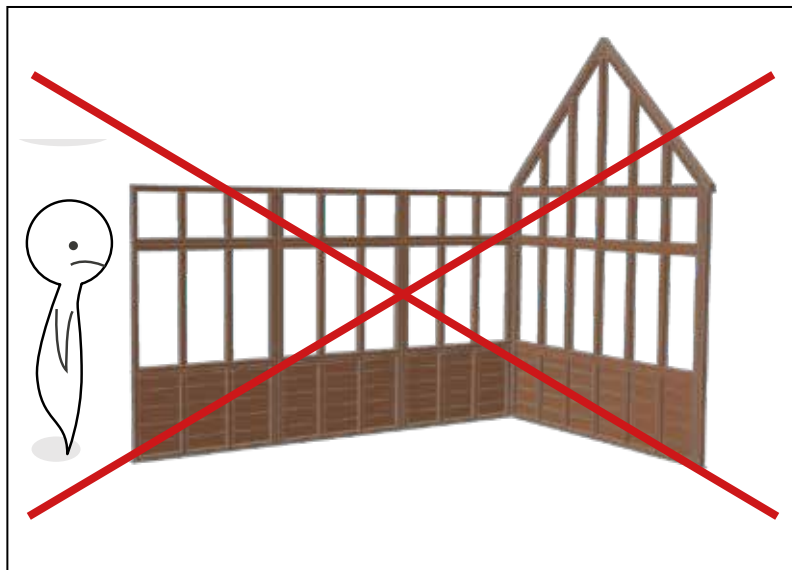
RHS 'Harlow Carr'
Planthouse



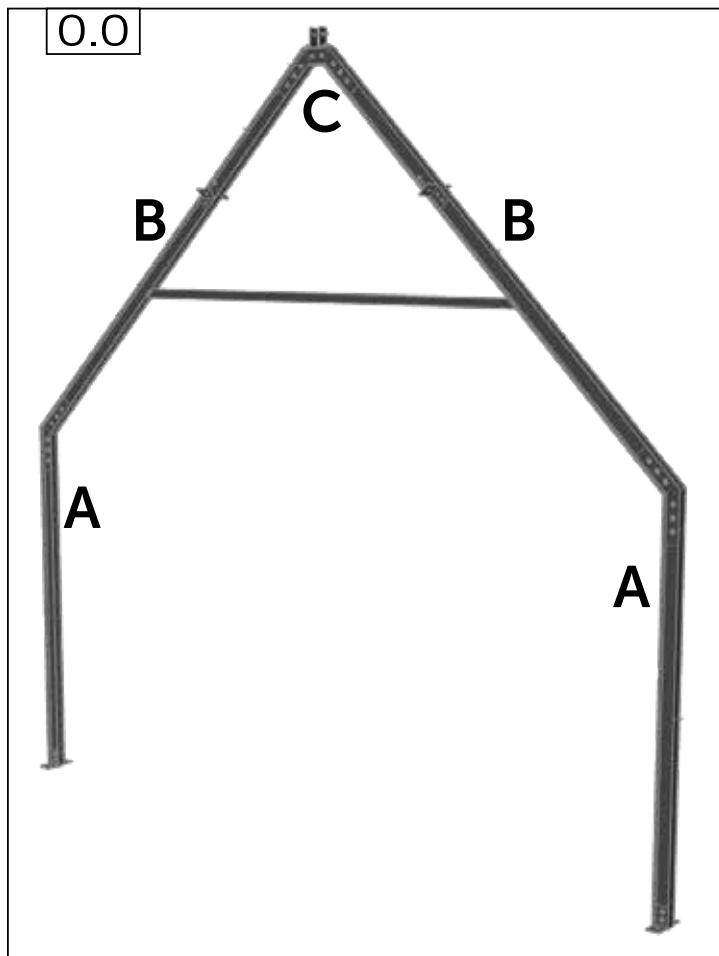
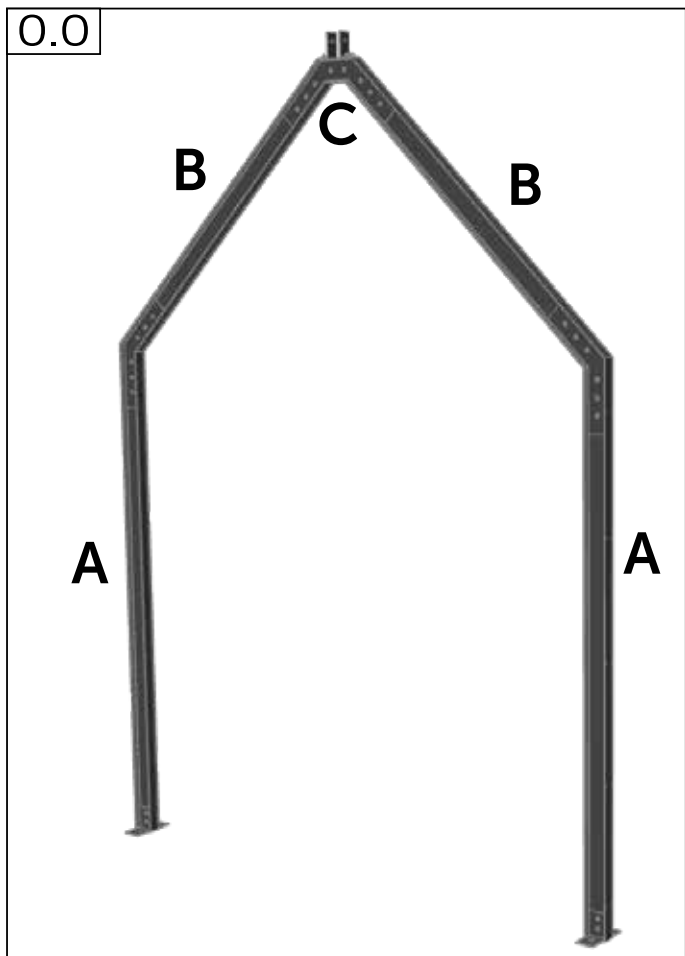
RHS

Overview - Oversigt - Übersicht - Översikt - Détails -
 Overzicht - Sisällys - Zawartość - Oversikt - Visión general

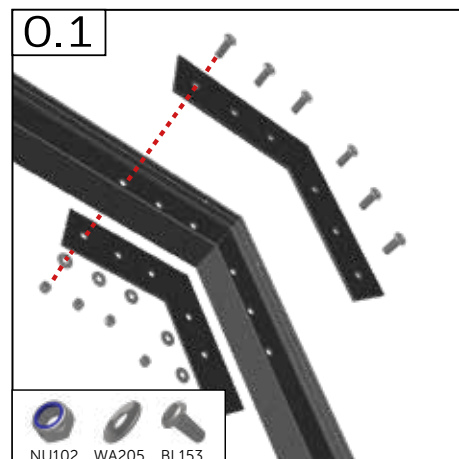
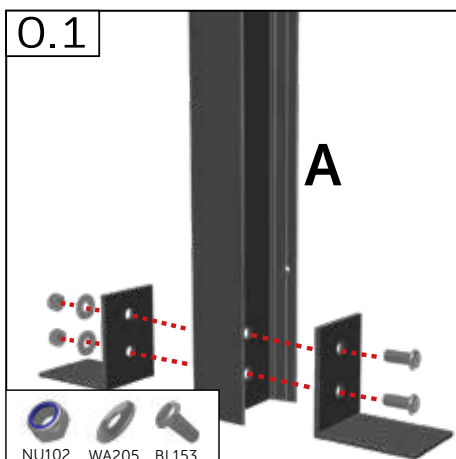
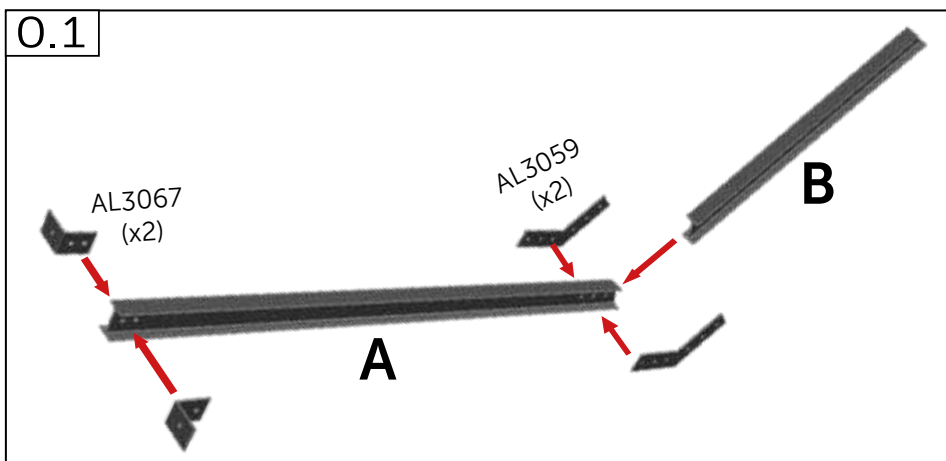
	
	4 - 6
	7 - 10
	11 - 13
	14 - 20
	21 - 25
	26 - 29
	30 - 31
	32
	33 - 34
	35 - 36



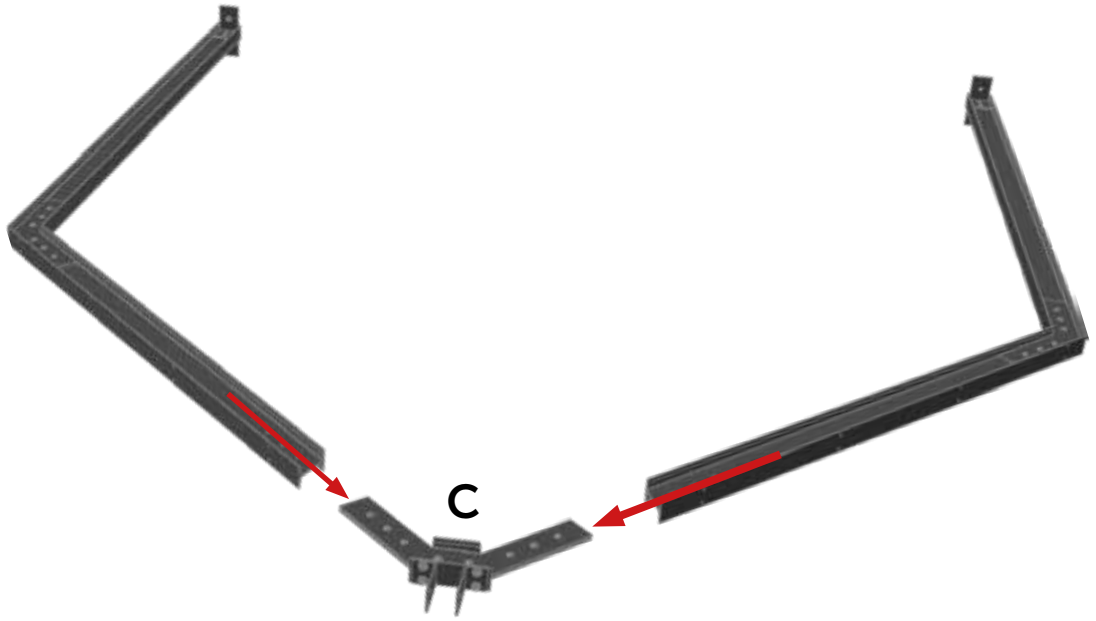
Portal Frame - Portalramme - Portalrahmen - Portal ram - Portique - Portaal frame -
 Portaalin kehys - Rama portalu - Portalramme - Marco del pórtico



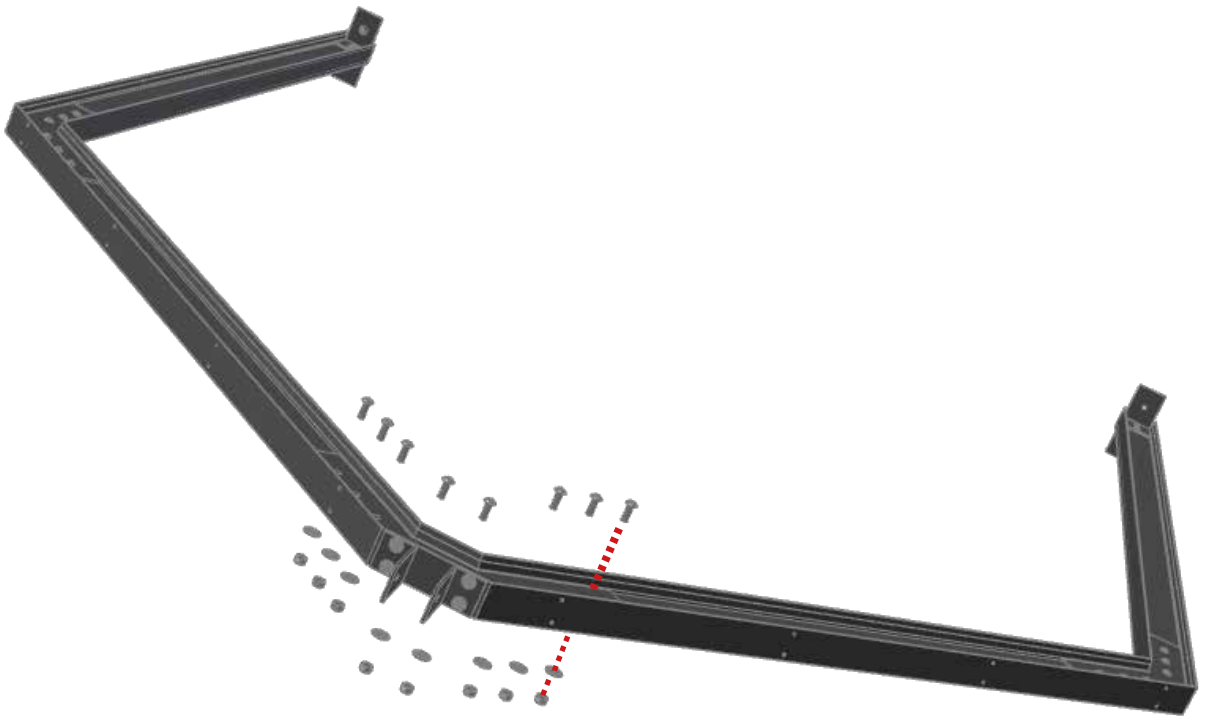
	#	mm
	AL3067	-
	AL3060	-
	AL3059	-
	A AL2018	1559
	B AL2018	0851
	B AL2018	1199
	B AL2018	1596
	B AL2018	1894
	C AL3071	0341
	BL153	M8 x 20
	WA205	M8
	NU102	M8



0.2



0.3

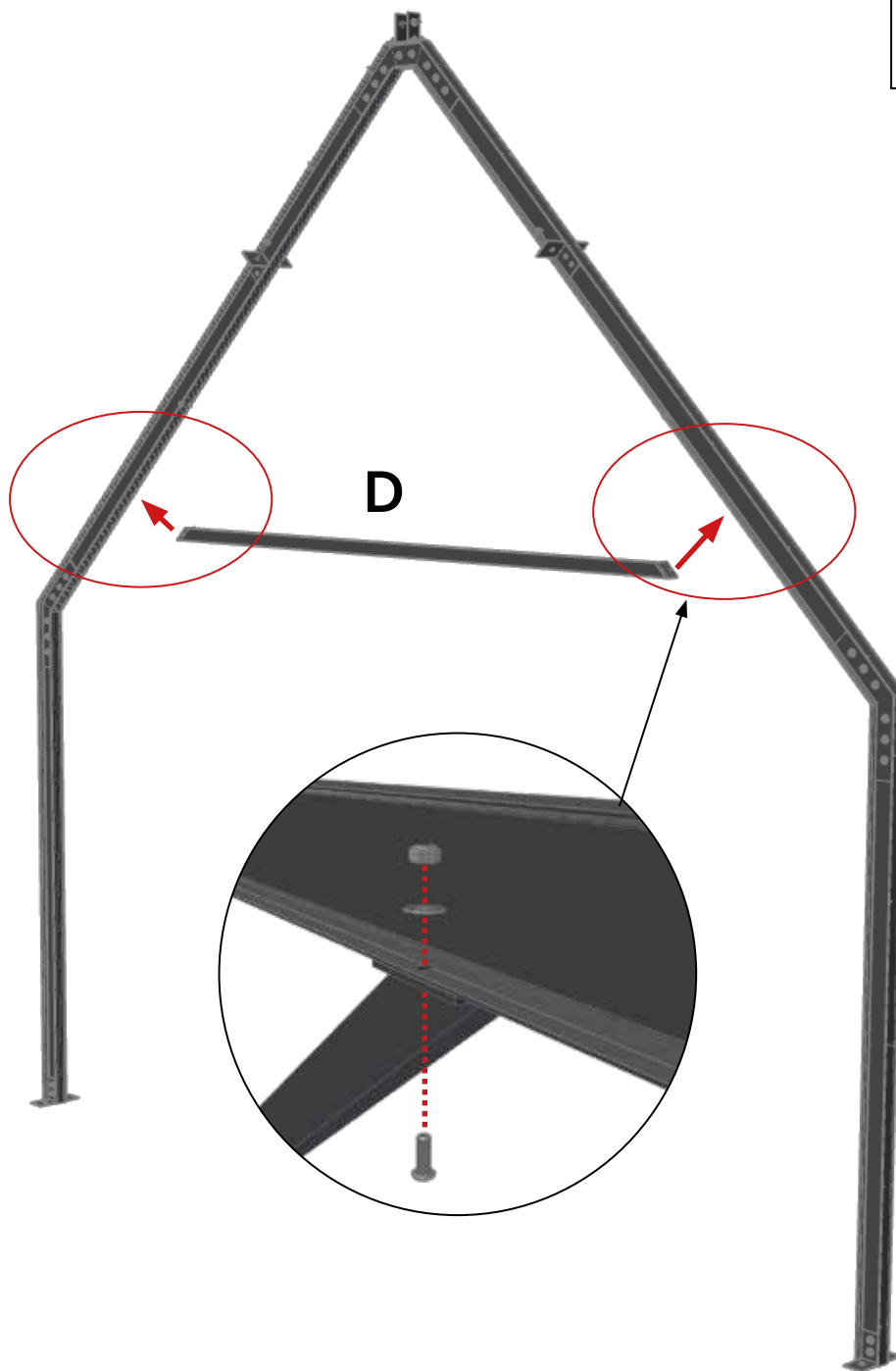


0.4



Portal Frame - Portalramme - Portalrahmen - Portal ram - Portique - Portaal frame -
 Portaalin kehys - Rama portalu - Portalramme - Marco del pórtico

0.5

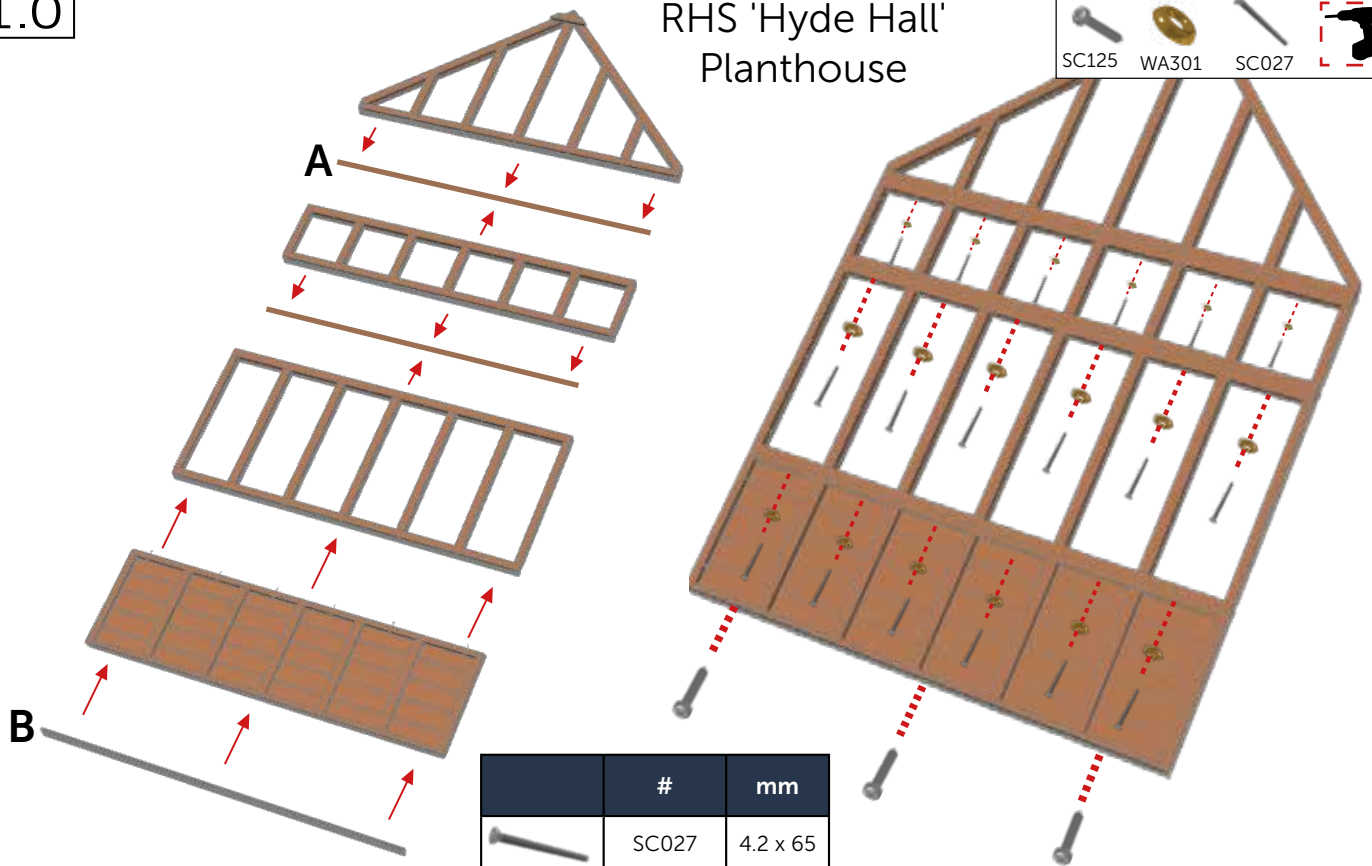


	#	mm
	D AL3086	1973
	BL122	M6 x 16
	WA106	M6
	NU101	M6

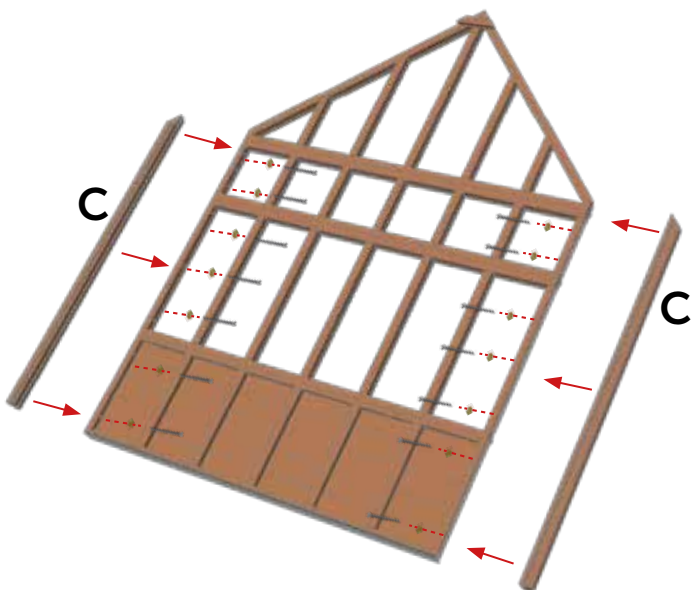
Gables - Gavle - Giebel - Gavlar - Pignons - Gevels - Päädýt - ściana szczytowa - Gavler - Aguilones

1.0

RHS 'Hyde Hall'
Planthouse



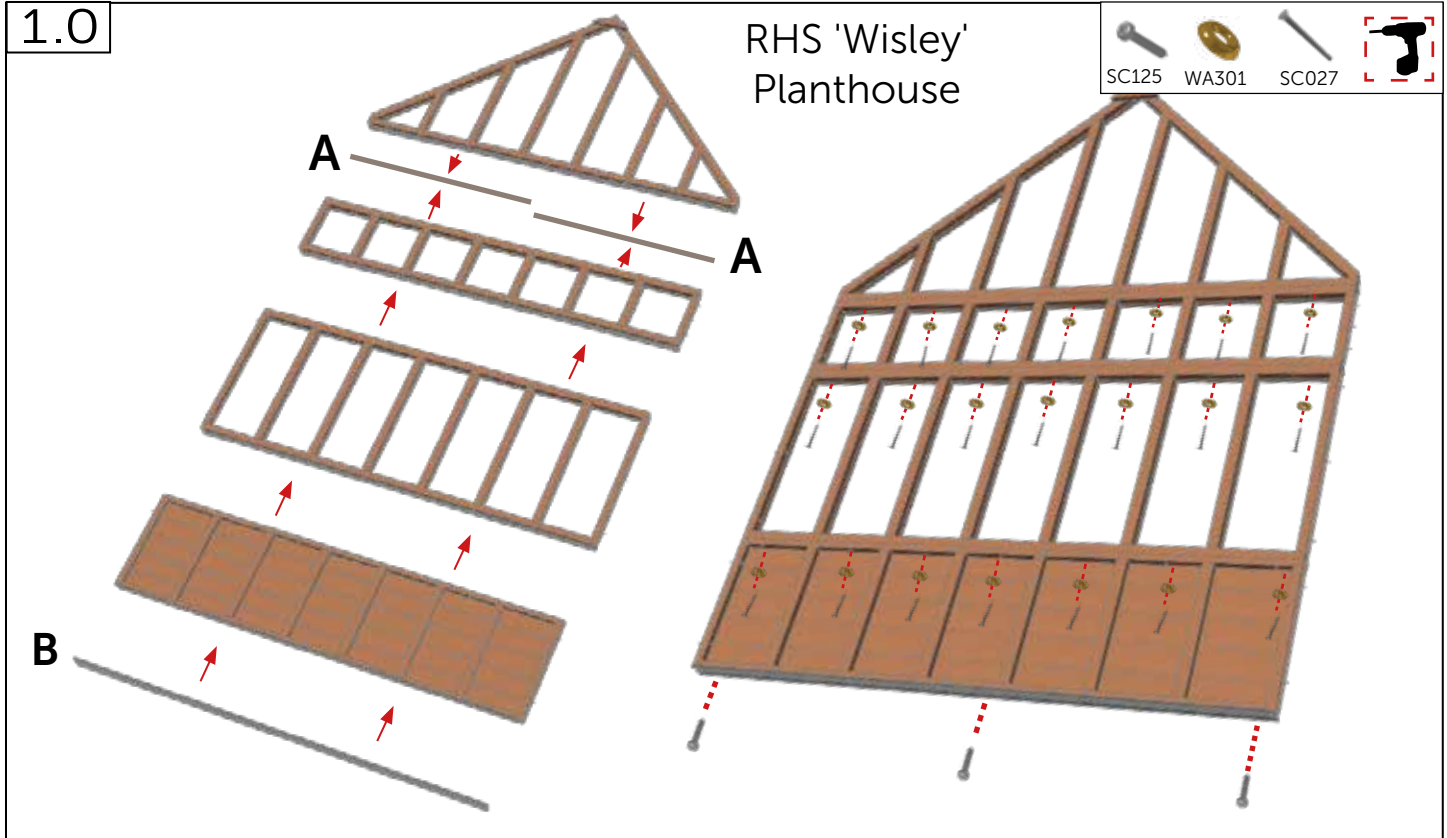
	#	mm
	SC027	4.2 x 65
	SC301	No. 8
	A	W-900
	B	AL2004
	SC125	4.2 x 25
	C	W-165



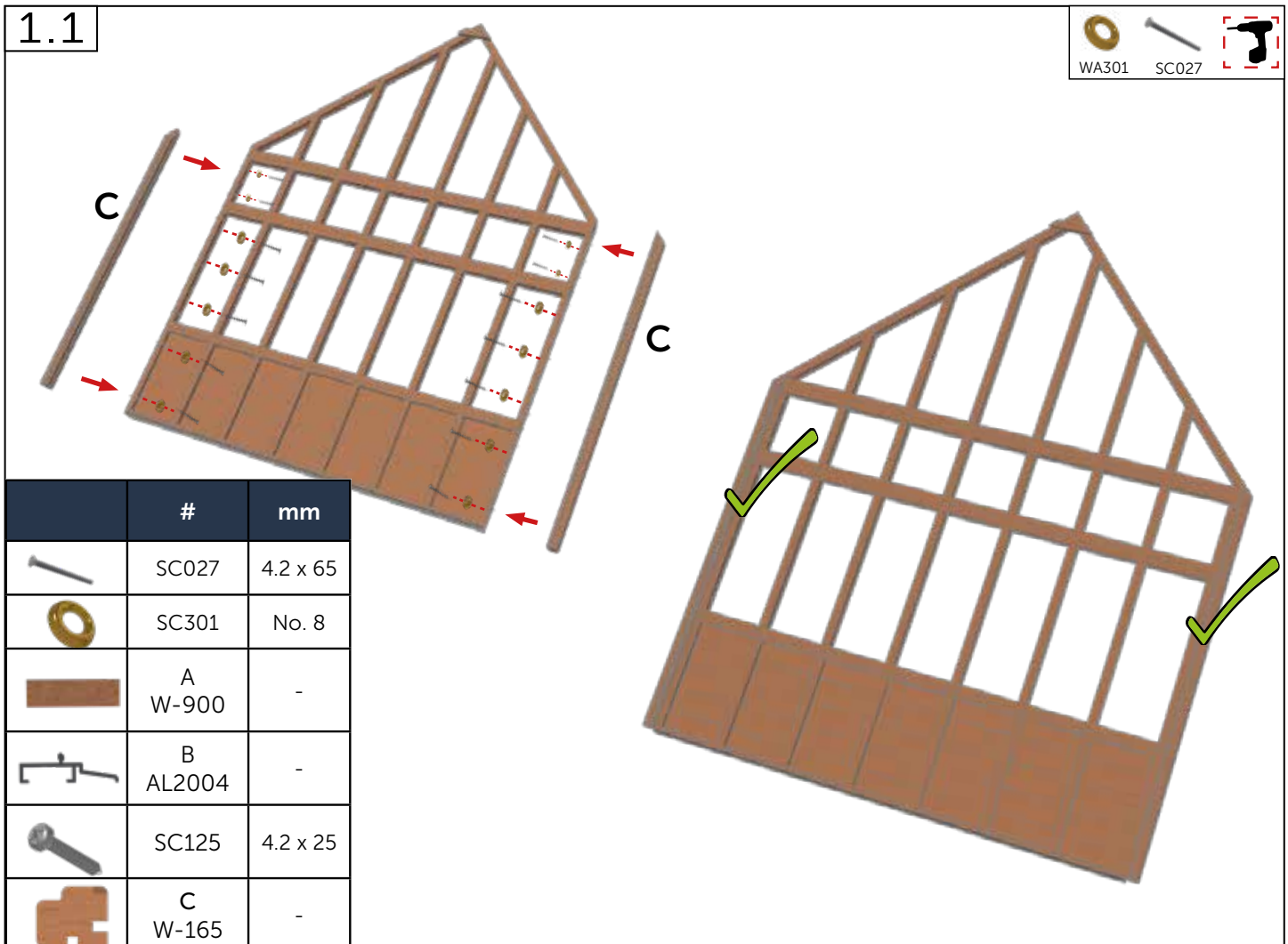
Gables - Gavle - Giebel - Gavlar - Pignons - Gevels - Päädyt - ściana szczytowa - Gavler - Aguilones

1.0

RHS 'Wisley' Planthouse

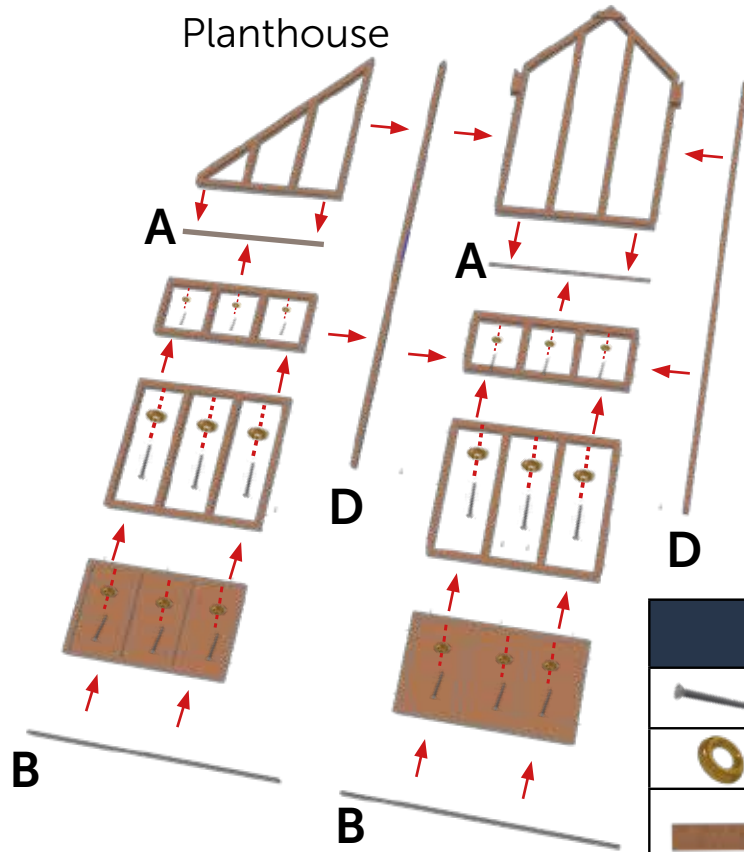


1.1

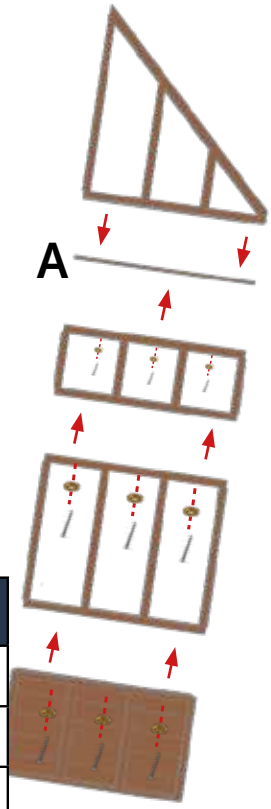








	#	mm
	SC027	4.2 x 65
	SC301	No. 8
	A W-900	-
	B AL2004	-
	SC125	4.2 x 25
	C W-165	-

1.0 RHS 'Harlow Carr' Planthouse

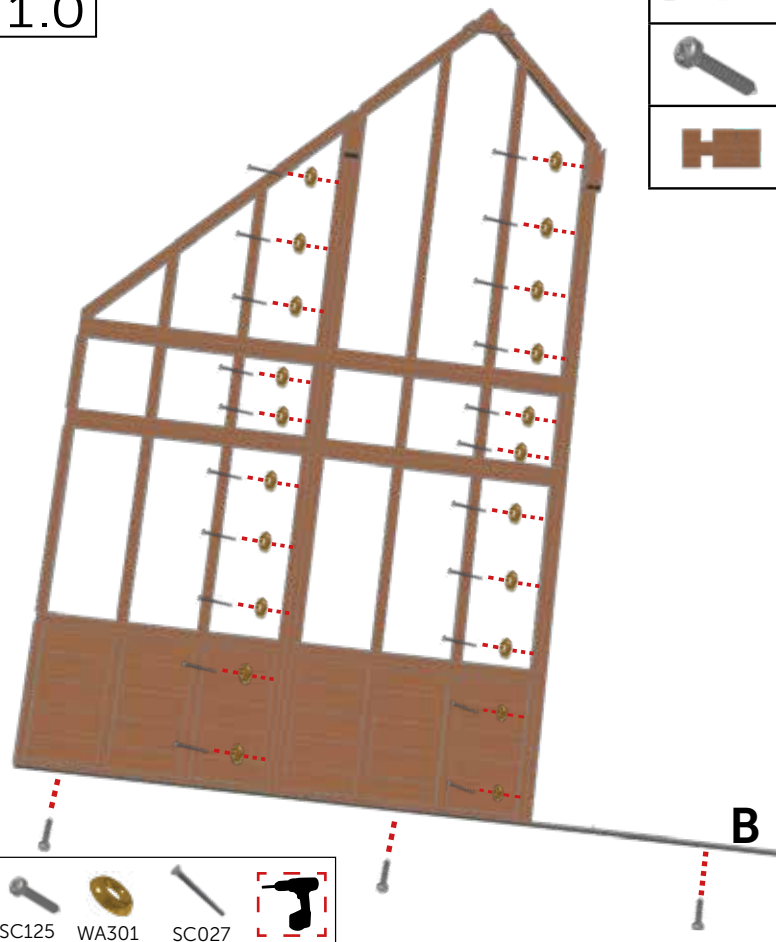


1.1

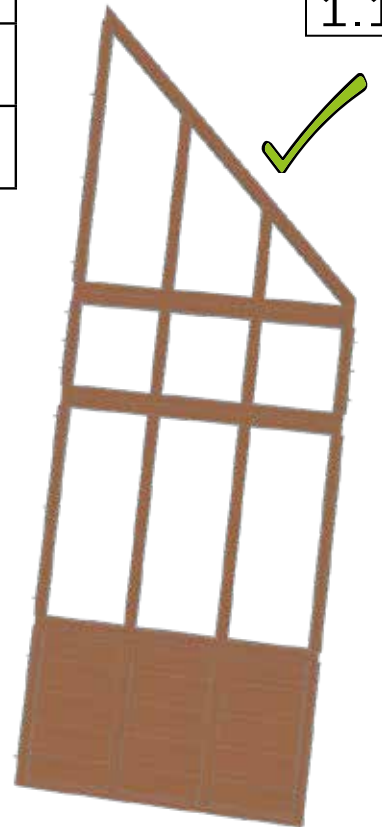


	#	mm
	SC027	4.2 x 65
	SC301	No. 8
	A W-900	-
	B AL2004	-
	SC125	4.2 x 25
	D W135	-

1.0

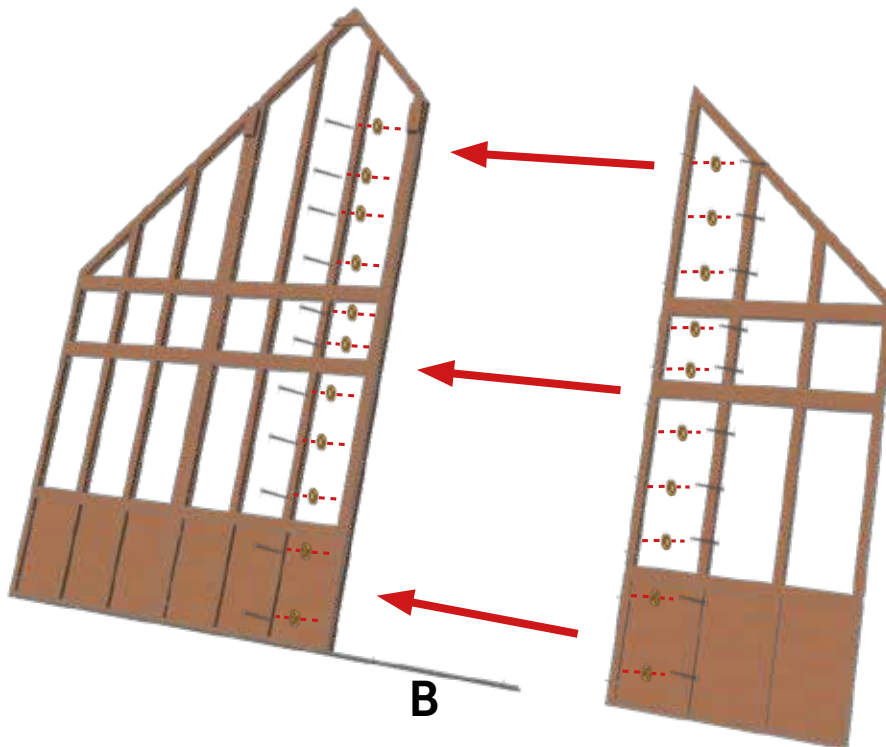


1.1



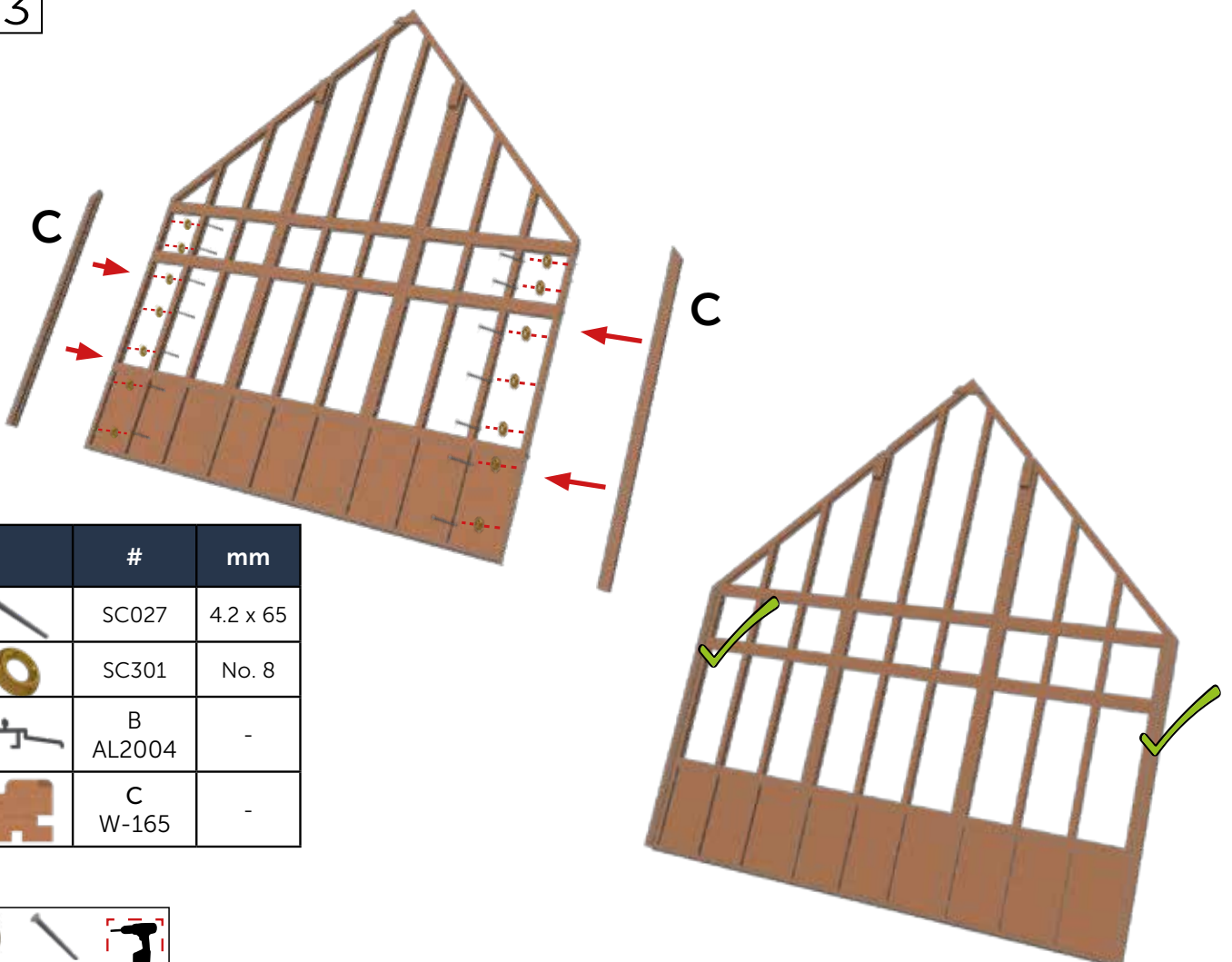
Gables - Gavle - Giebel - Gavlar - Pignons - Gevels - Päädyt - ściana szczytowa - Gavler - Aguilones





1.2



B

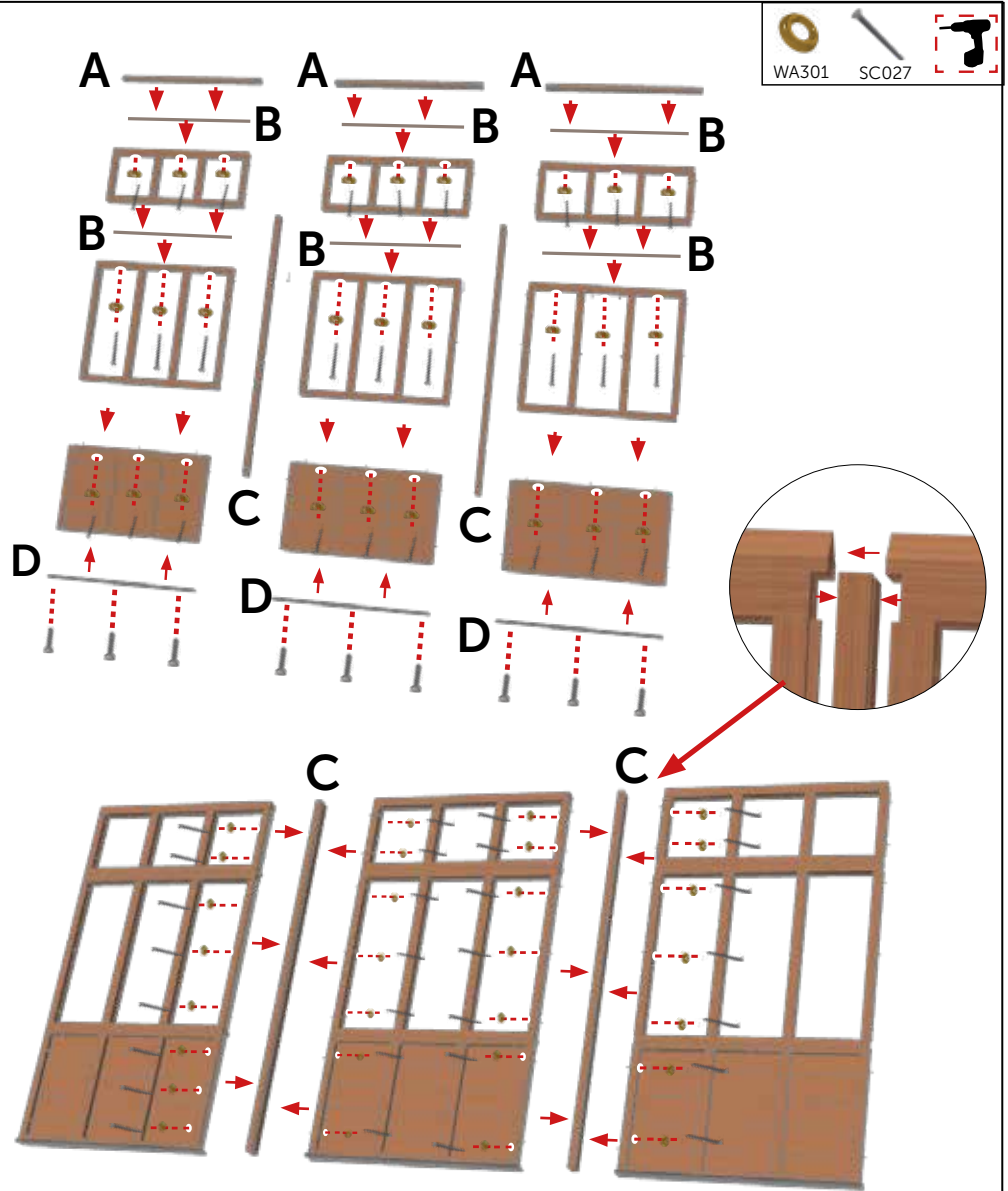
1.3










	#	mm
	SC027	4.2 x 65
	SC301	No. 8
	B AL2004	-
	C W-165	-



2.0



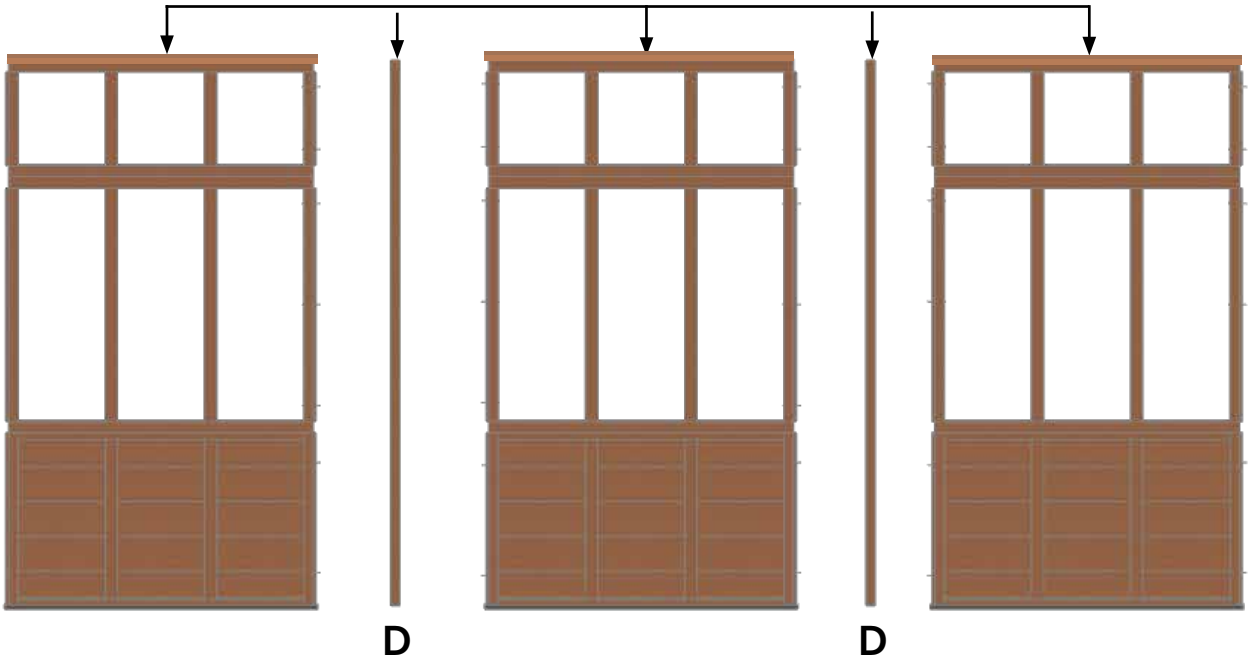
	#	mm
	SC027	4.2 x 65
	SC301	No. 8
	A W130	-
	B W-900	-
	C W135	-
	D AL2004	-
	SC125	4.2 x 25

2.1

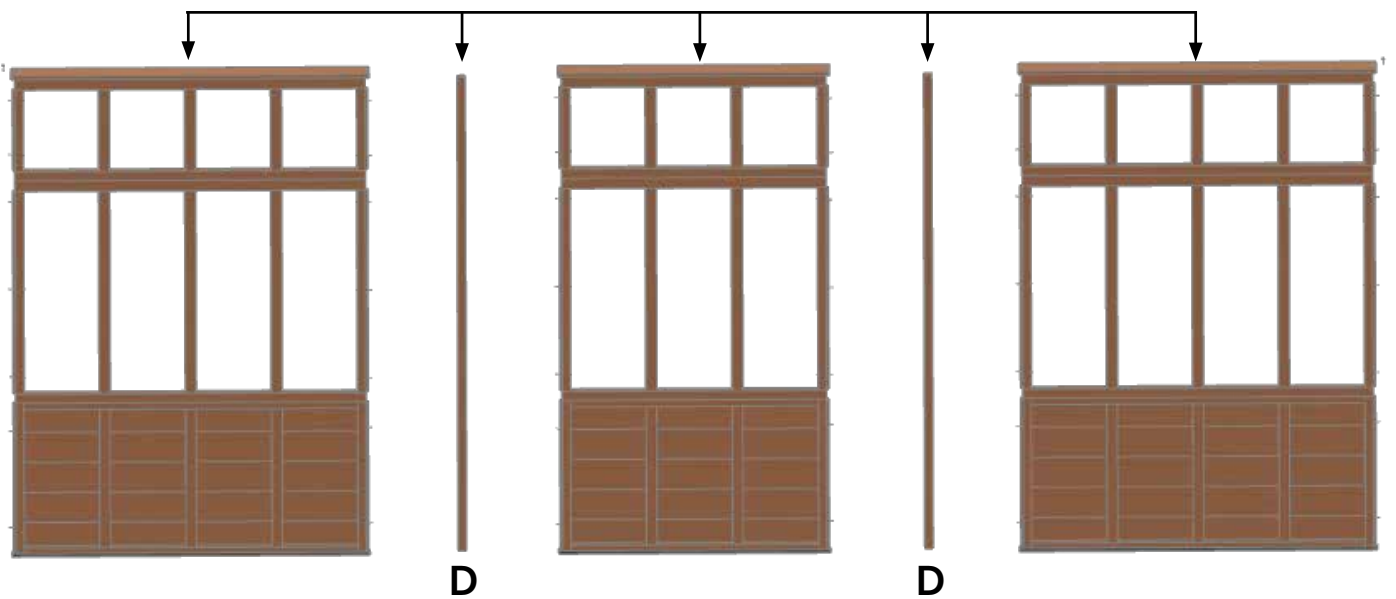



2.0

9 PANEL



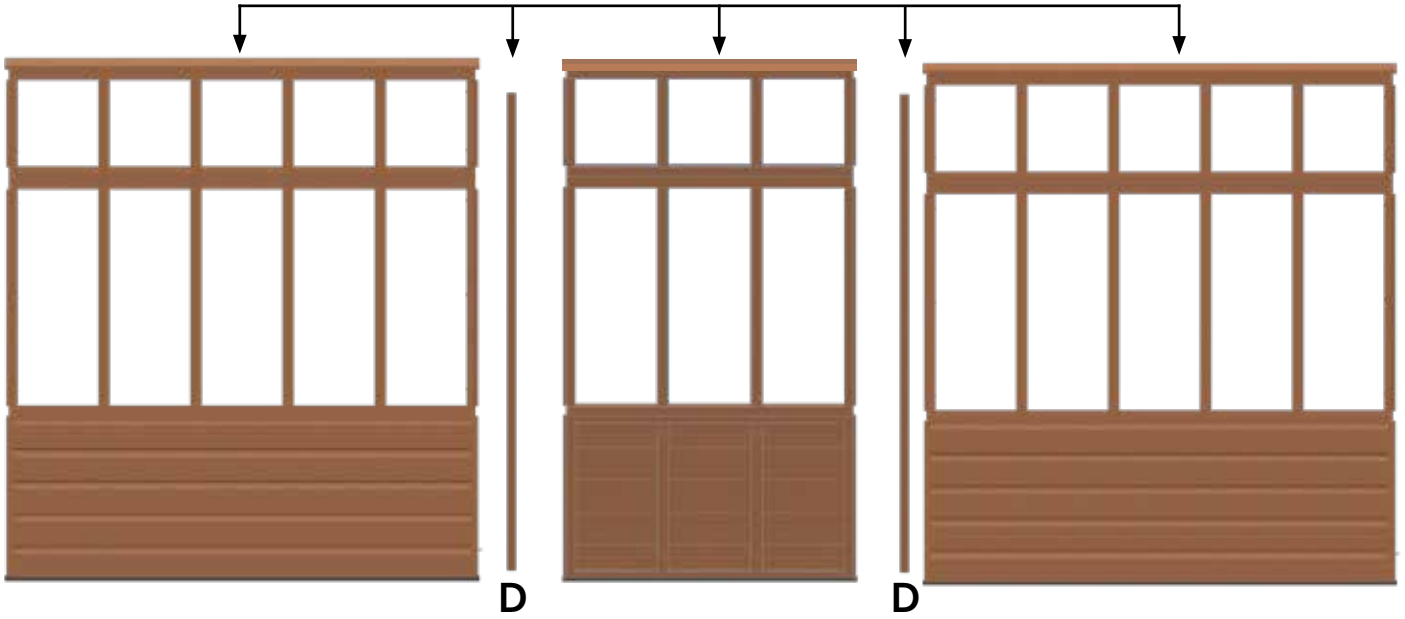
11 PANEL



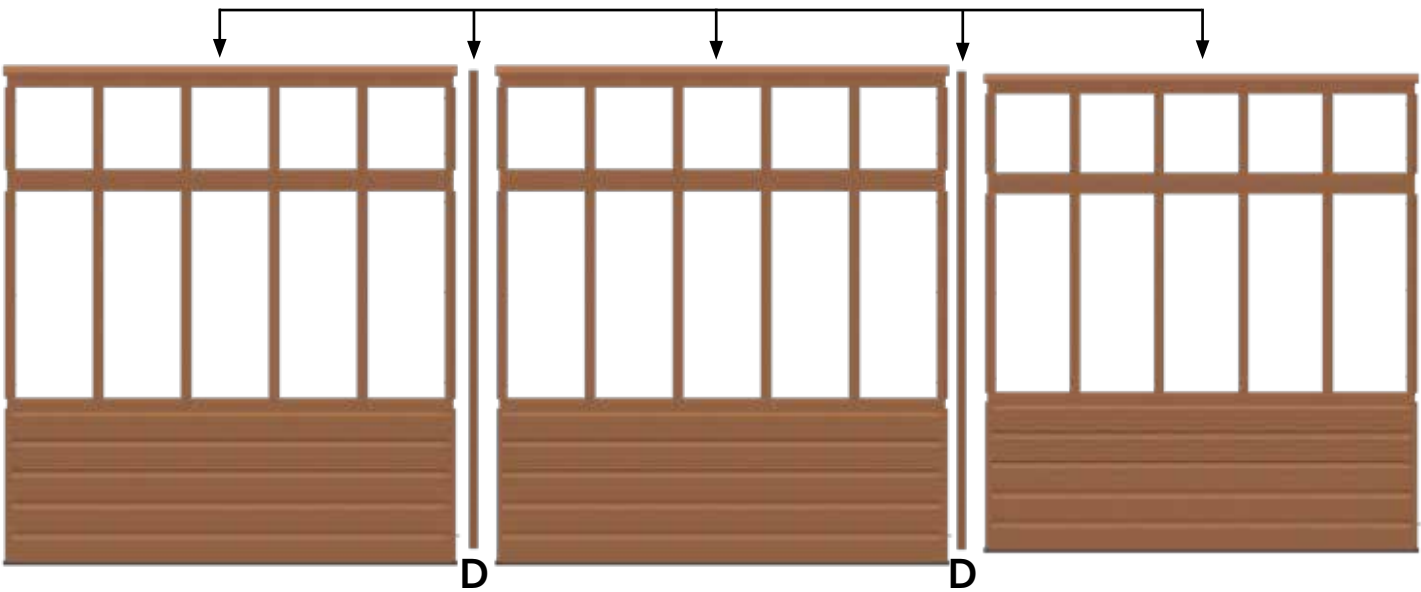
	#	mm
	D W135	-


2.0

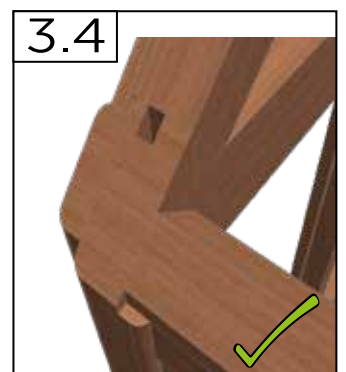
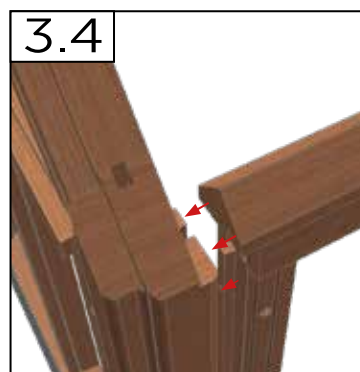
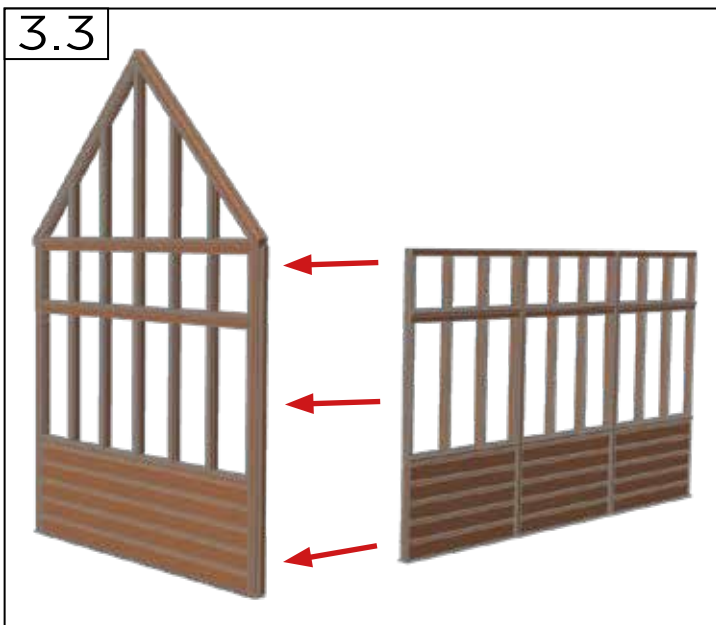
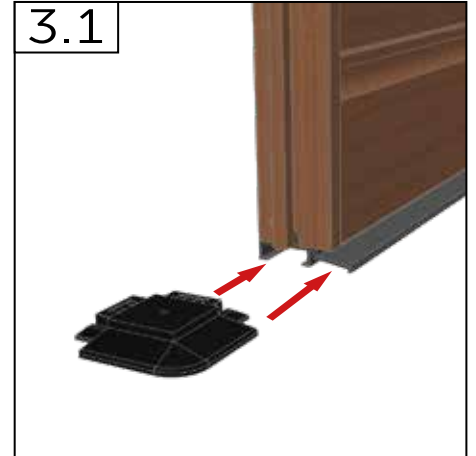
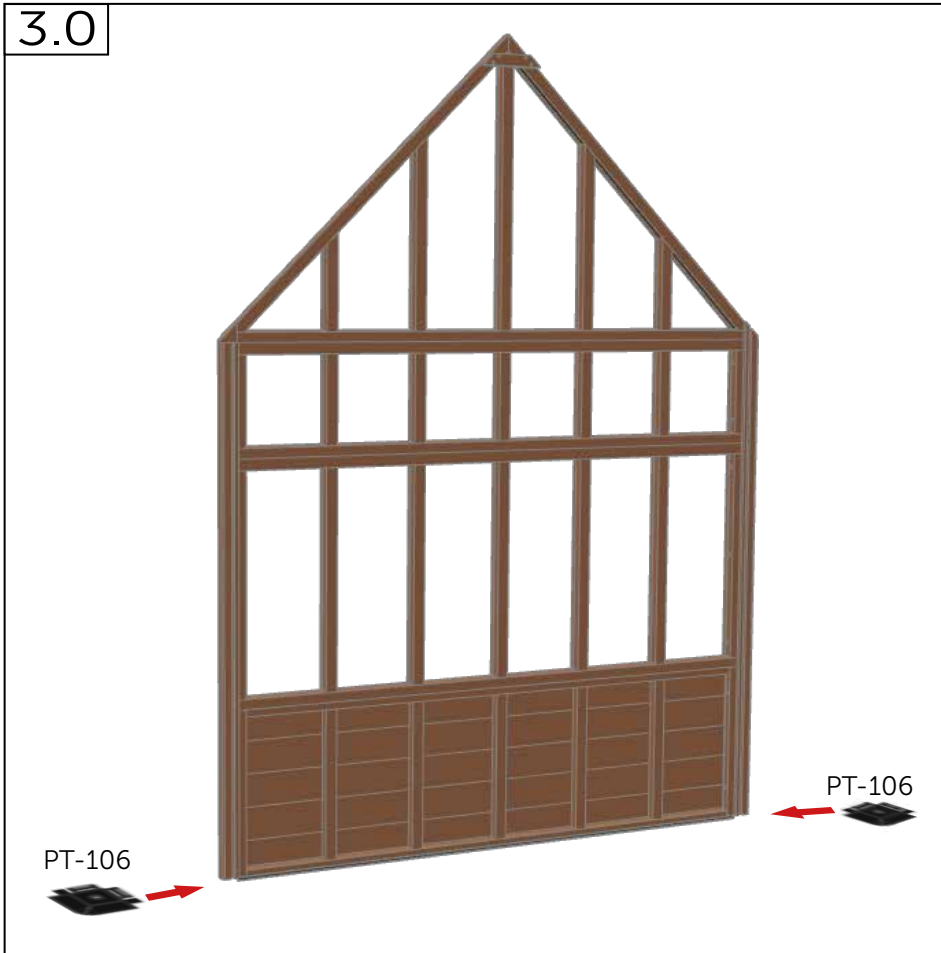
13 PANEL



15 PANEL

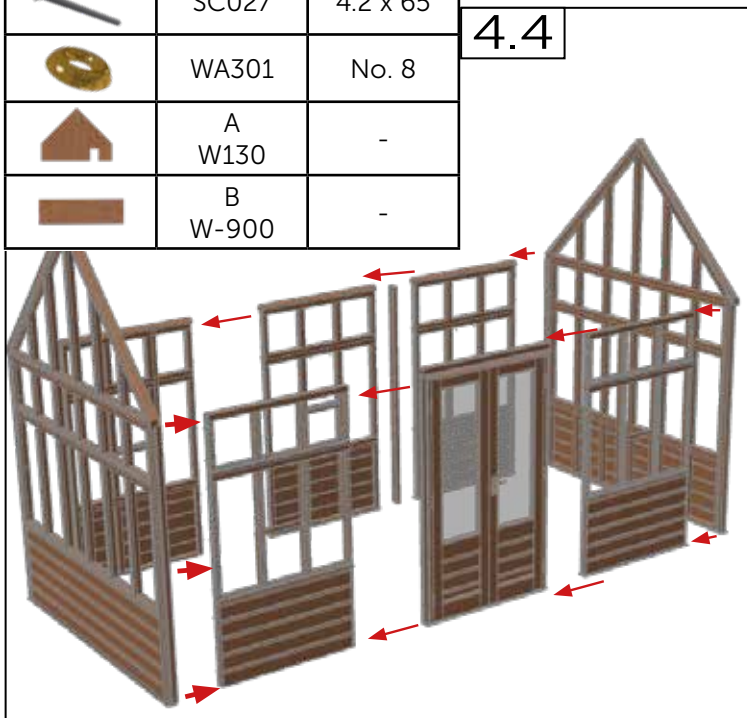
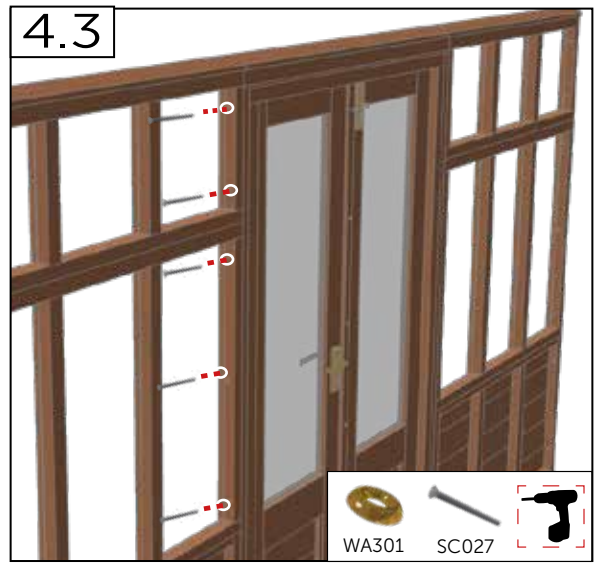
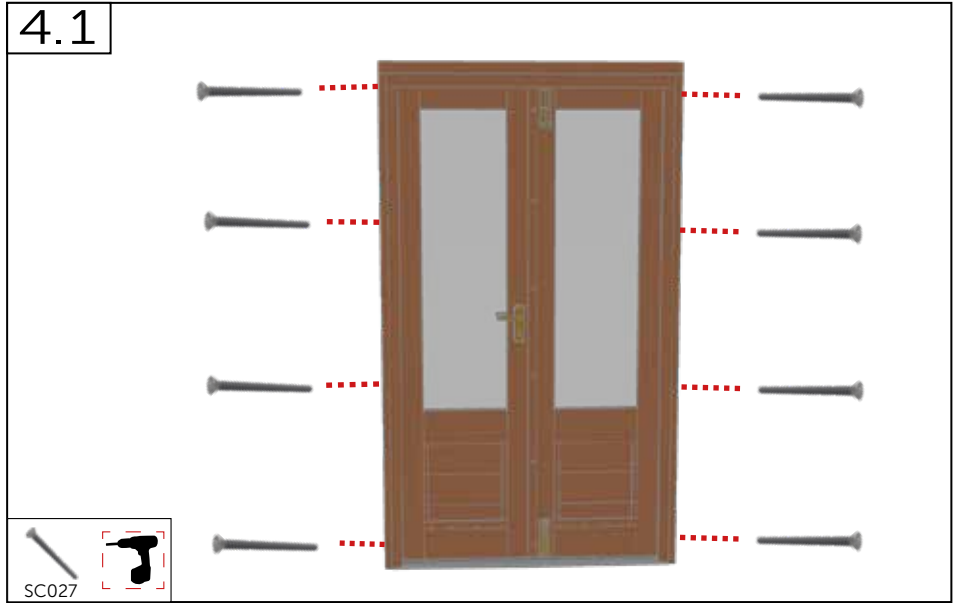


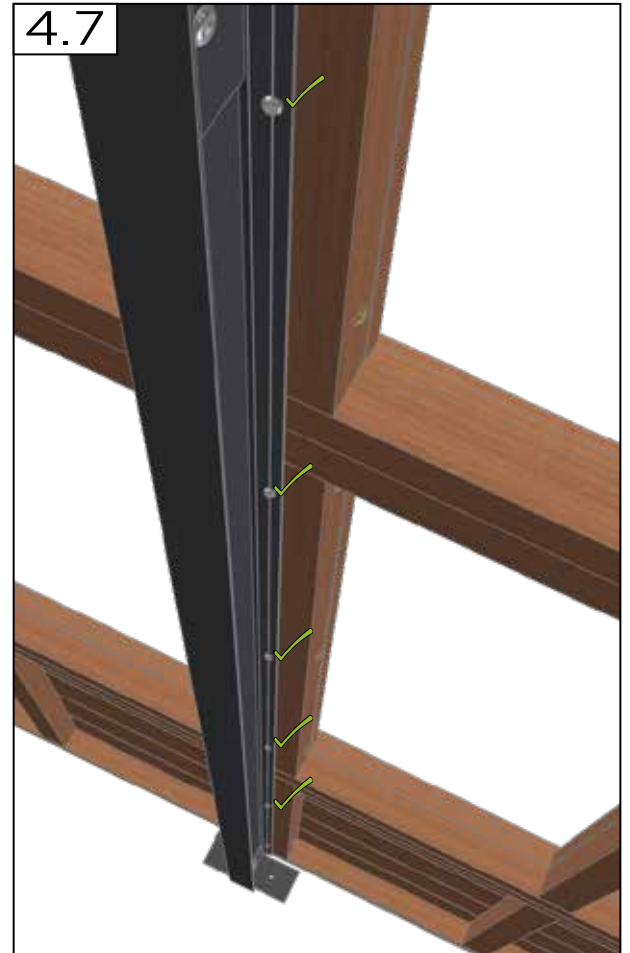
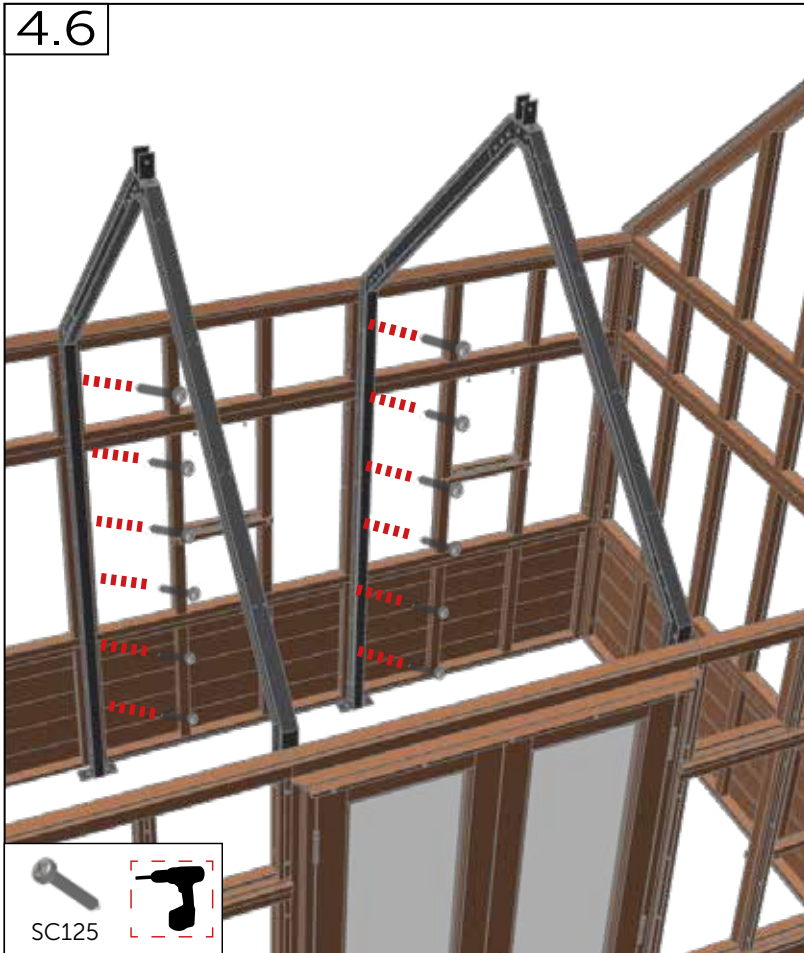
	#	mm
	D W135	-



	#	mm
	PT-106	-
	SC027	4.2 x 65
	WA301	No. 8

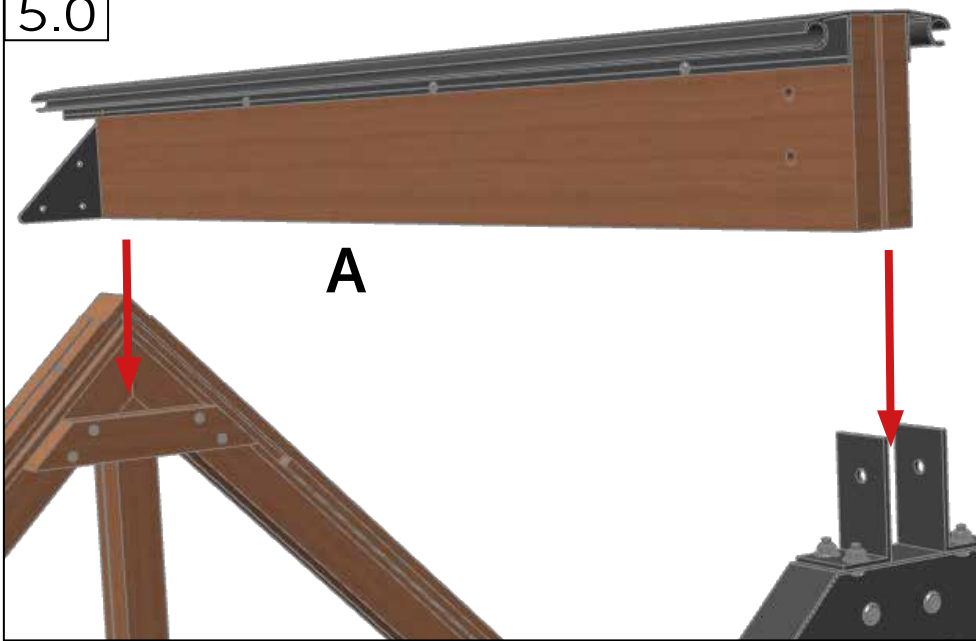
Assemble - Samilng - Verbinden - Montera - Assemblage - Monteren - kokoaminen - Montaż stelaża - Montere - Armar














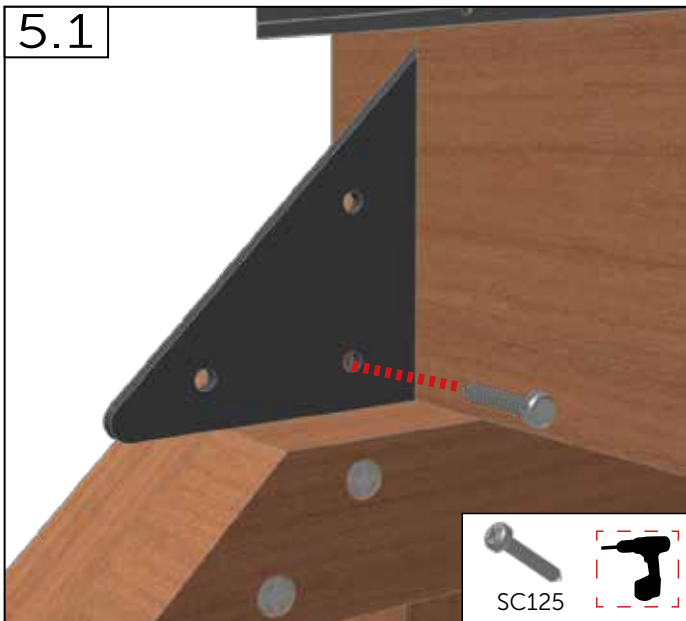
	#	mm
	-	-
	SC125	4.2 x 25

5.0

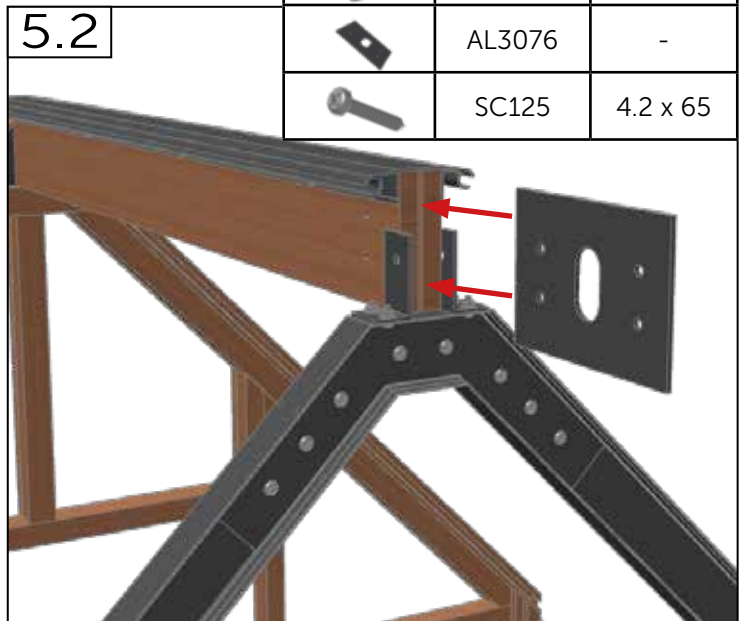


	#	mm
	A	-
	B	-
	AD001	70
	BL155	M8 x 20
	BL156	M8 x 80
	WA205	M8
	NUT	M6
	AL3076	-
	SC125	4.2 x 65

5.1

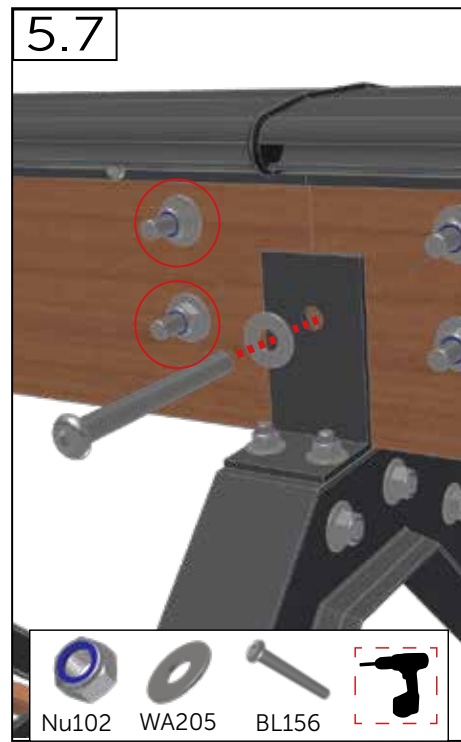
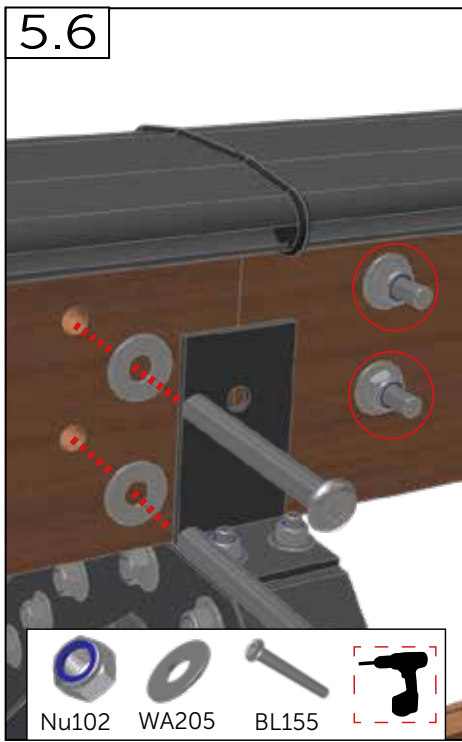
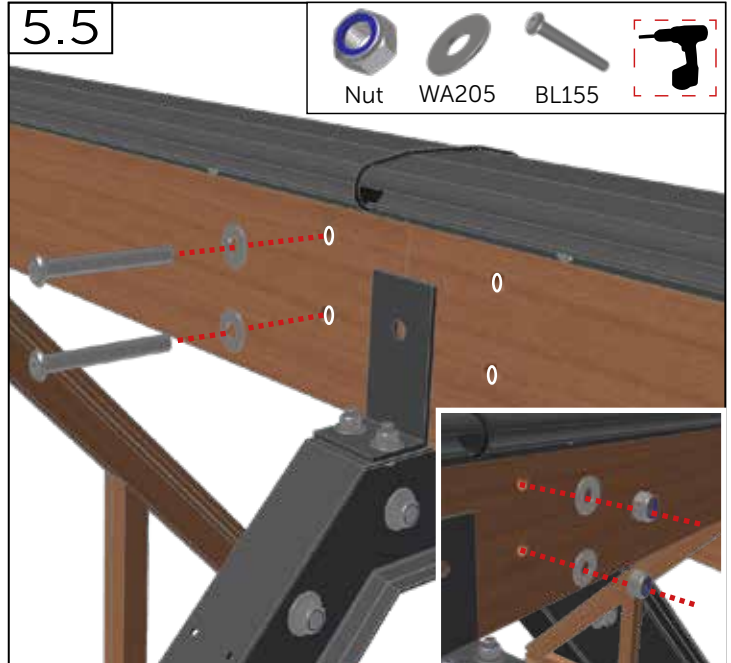
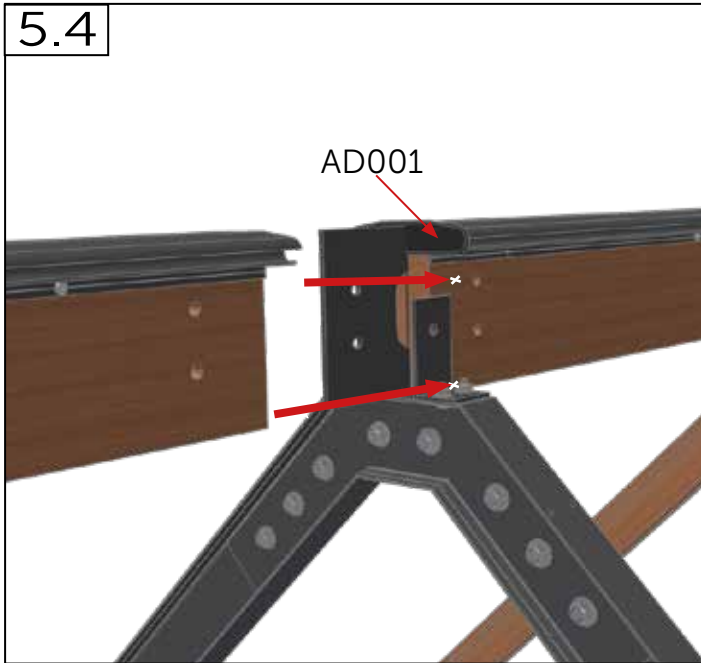


5.2



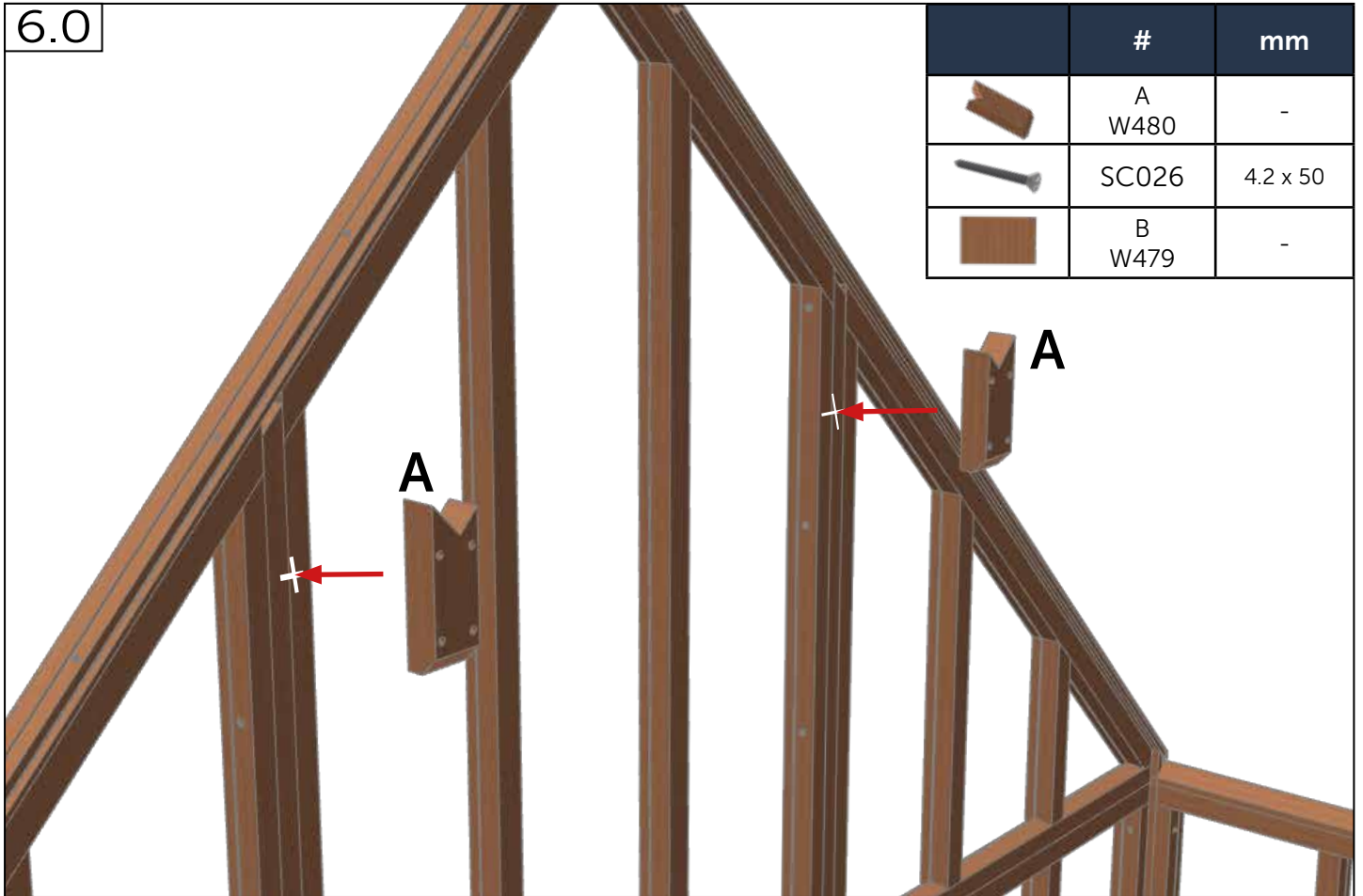
5.3





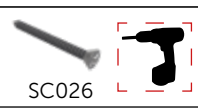
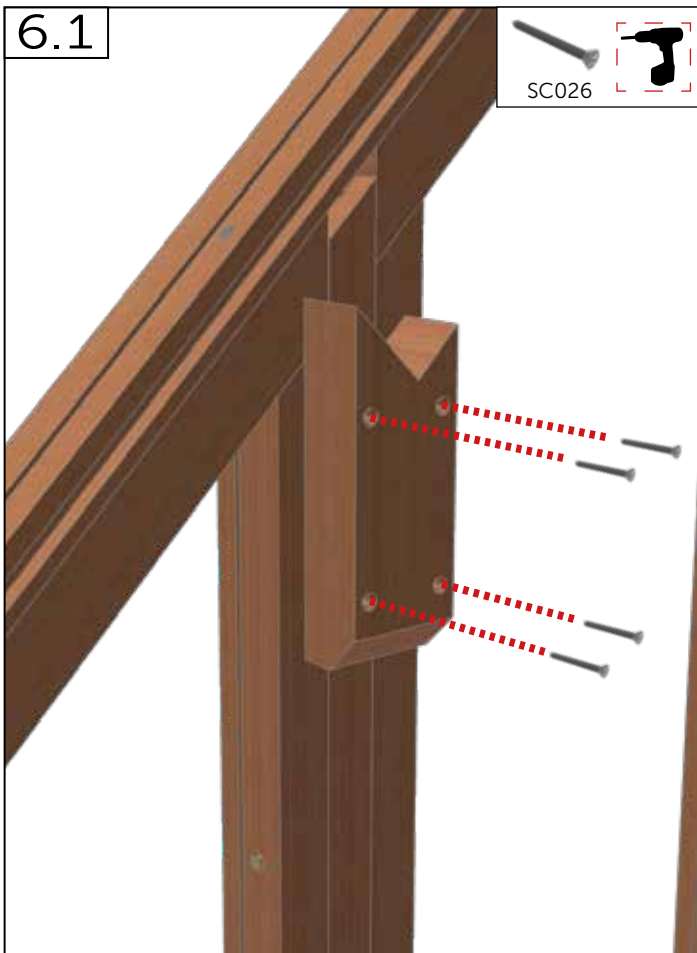
	#	mm
	A	-
	BL155	M8 x 20
	BL156	M8 x 80
	WA205	M8
	Nut	M6
	AL3076	-
	SC125	4.2 x 65

6.0

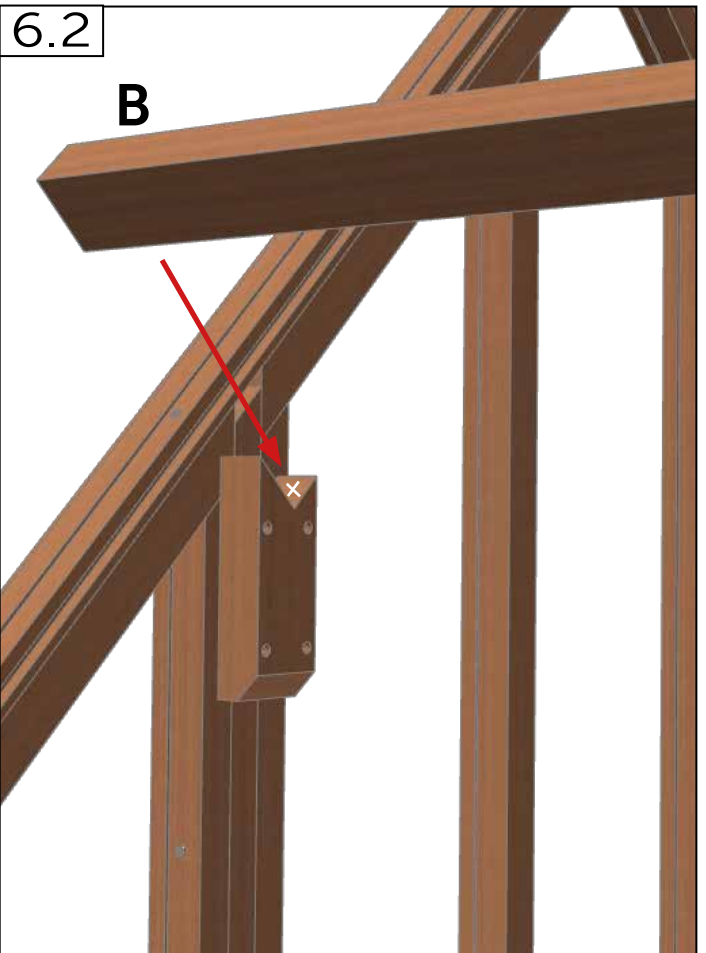


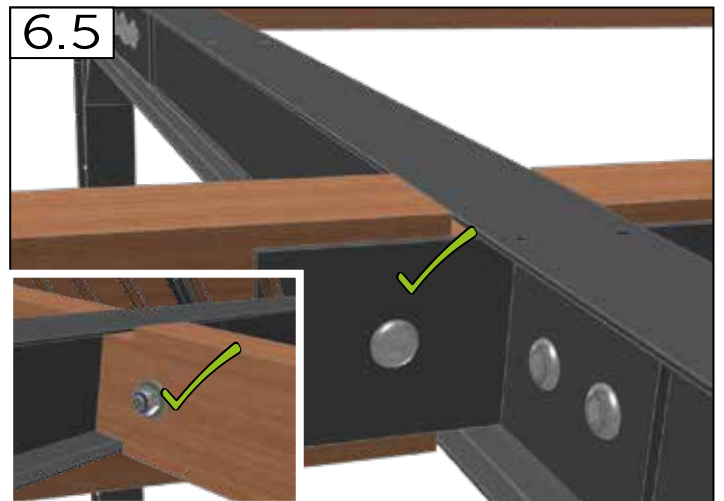
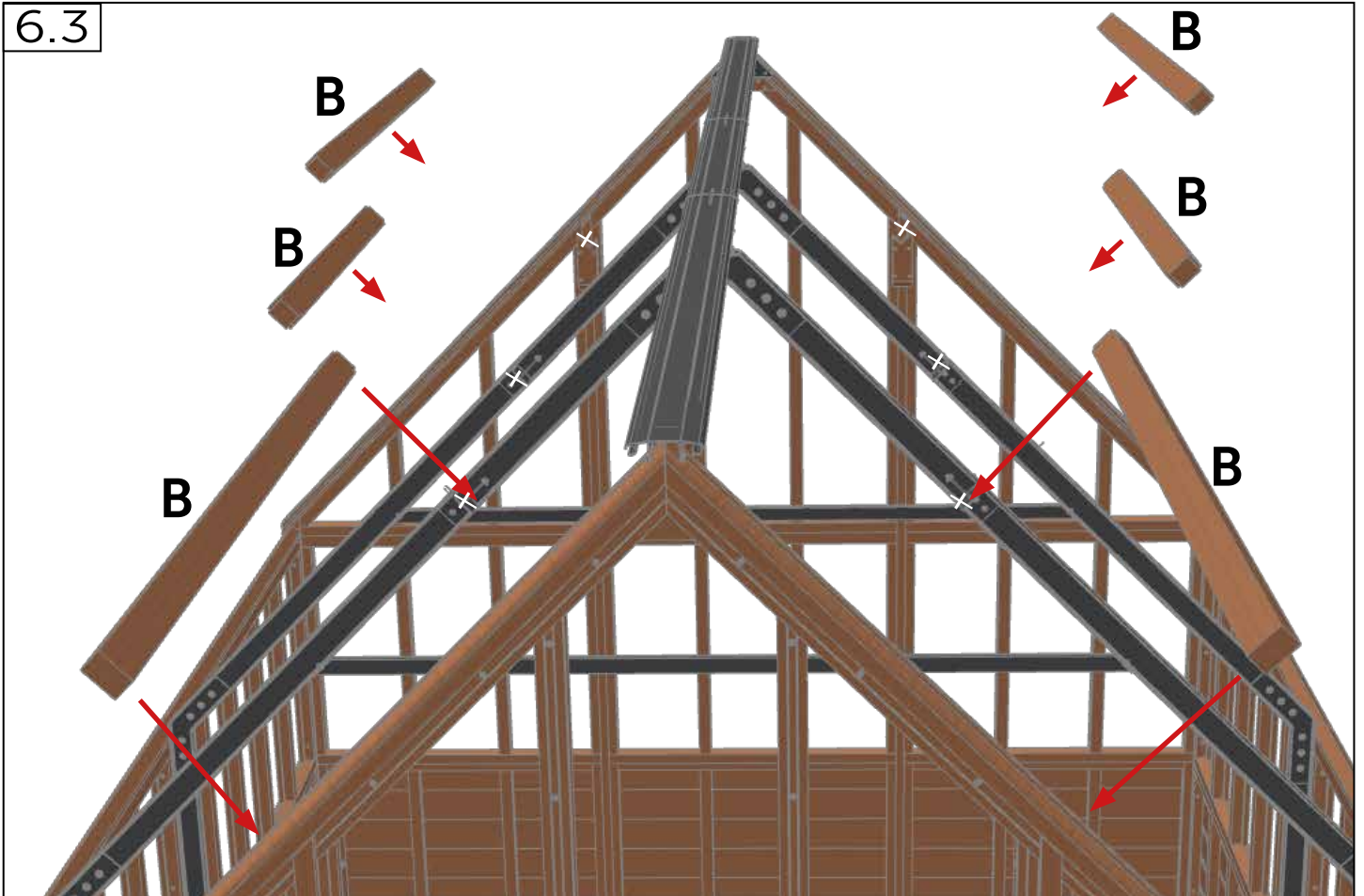
	#	mm
	A W480	-
	SC026	4.2 x 50
	B W479	-

6.1

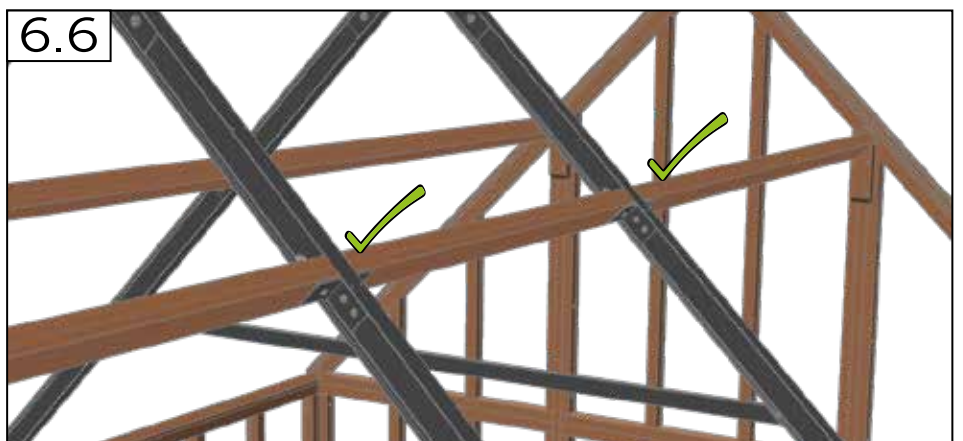


6.2

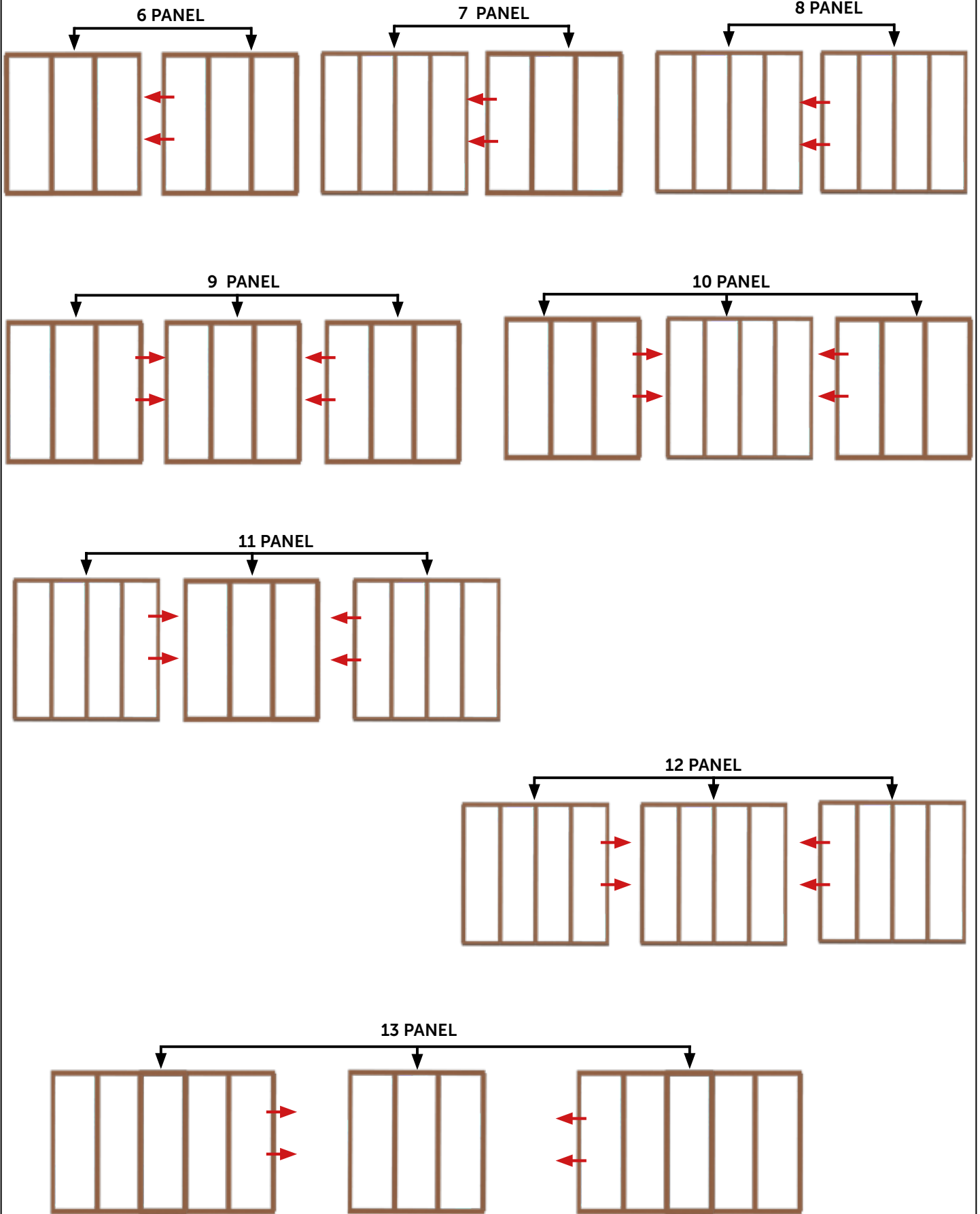


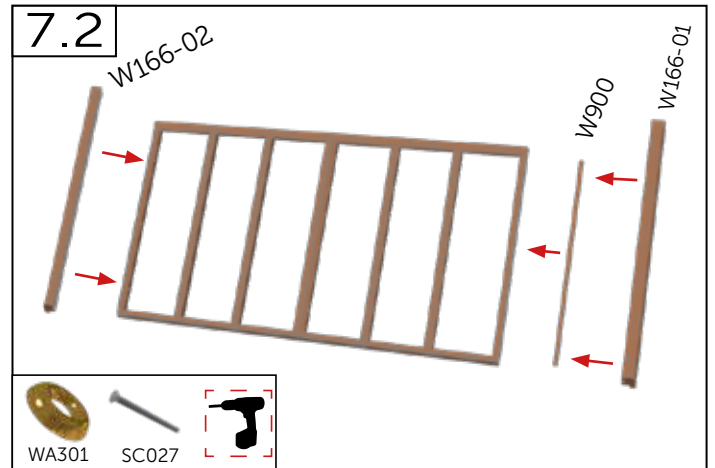
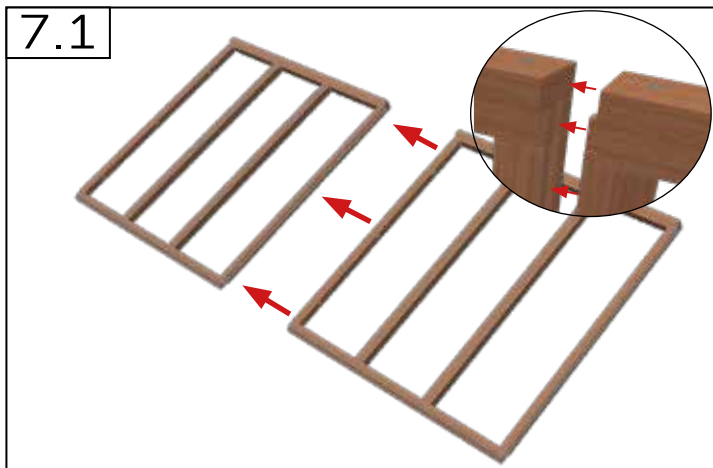
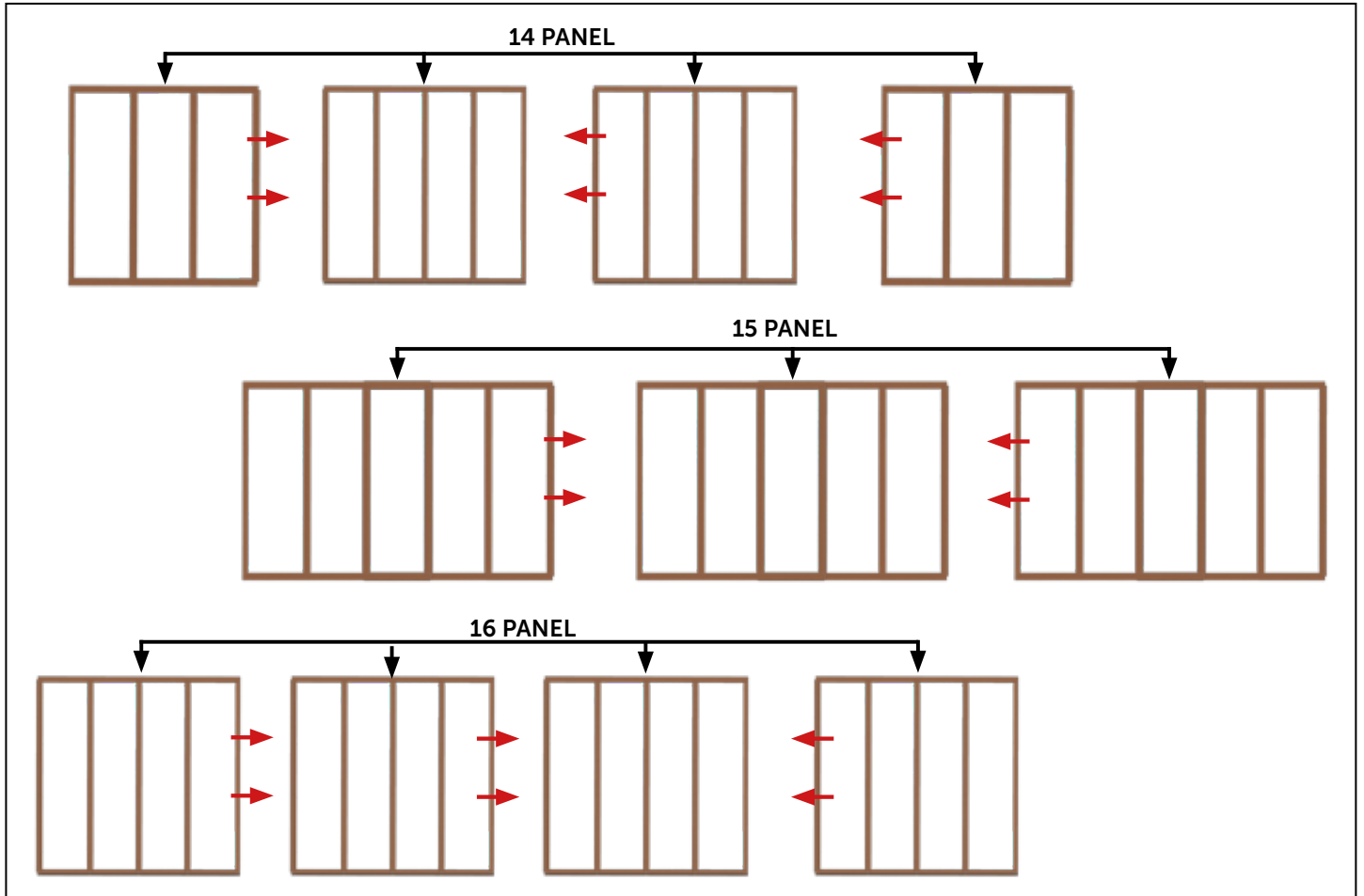


	#	mm
	B W479	-
	SC155	4.2 x 25
	Nu101	M6
	WA205	M8

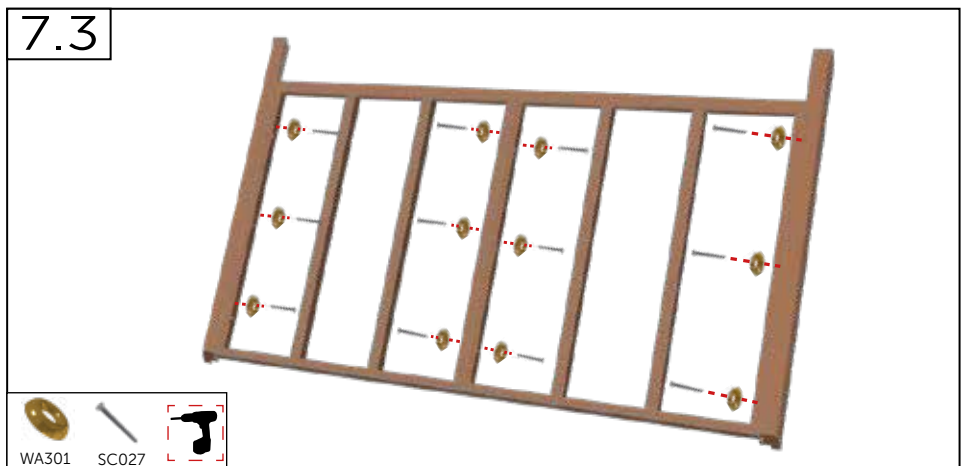


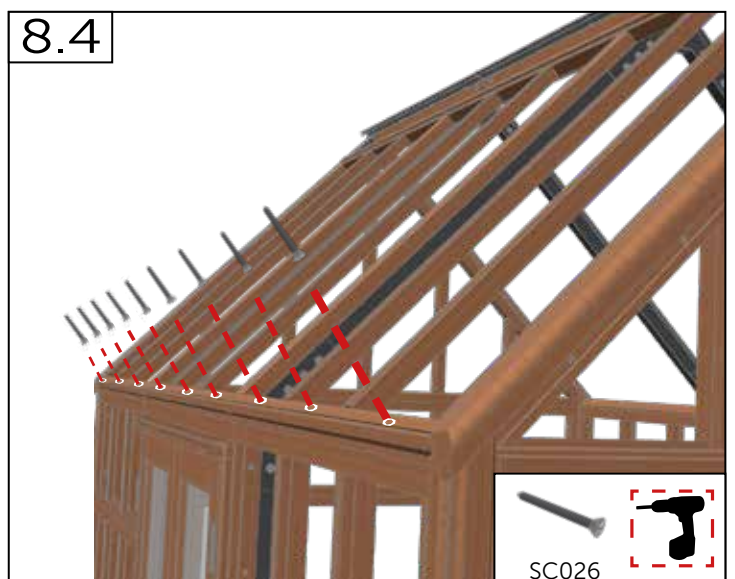
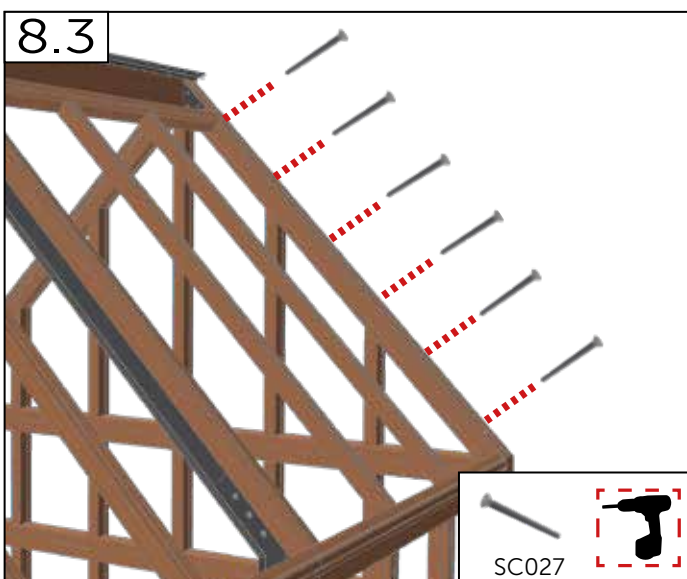
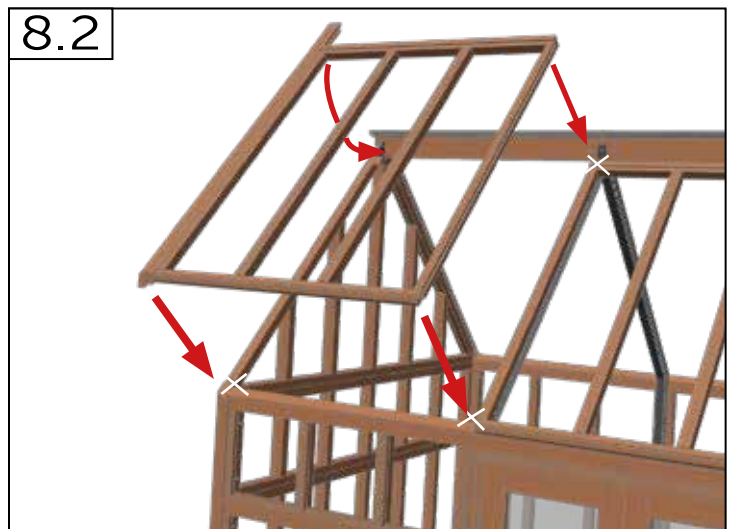
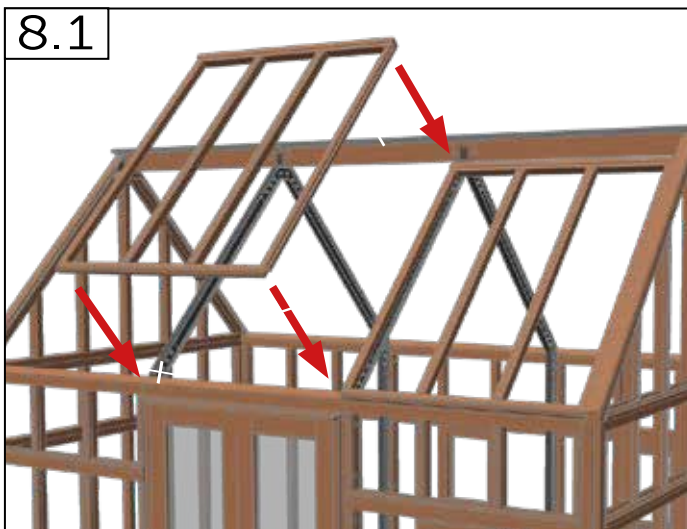
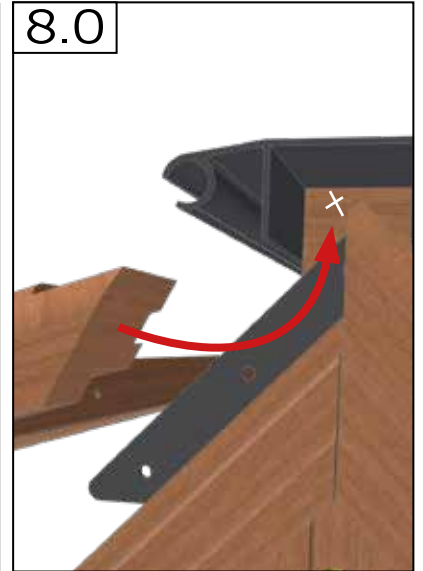
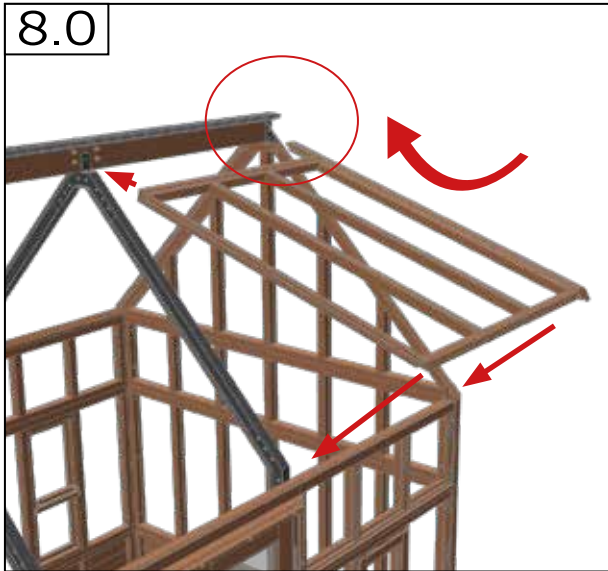
7.0





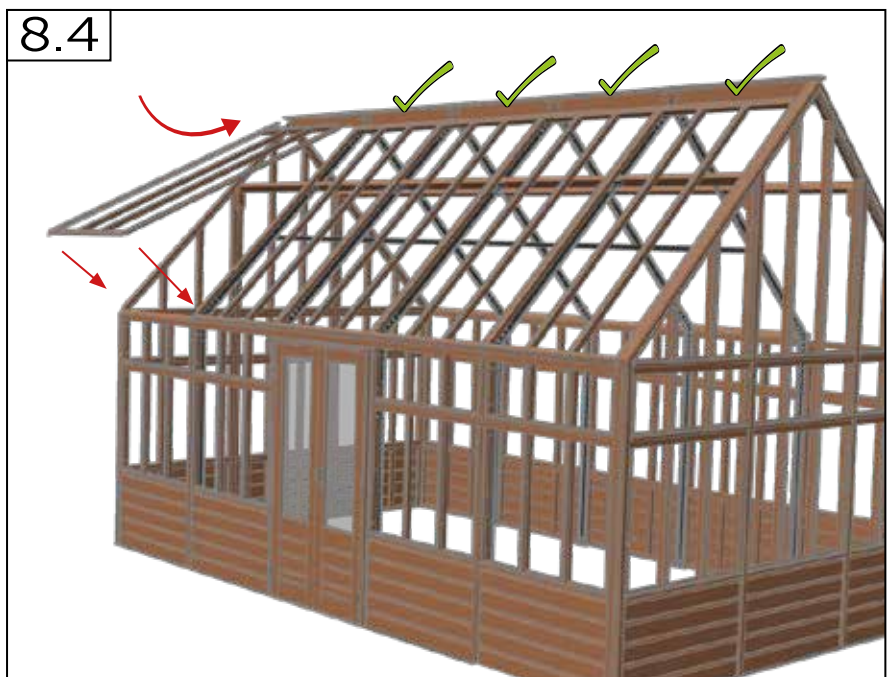
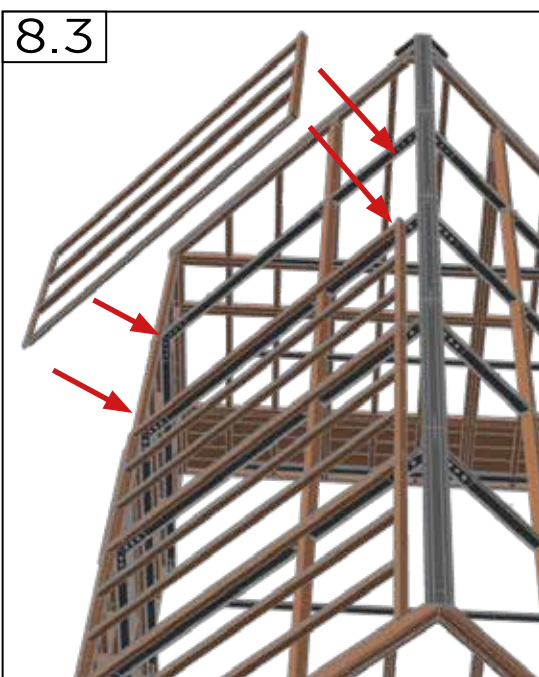
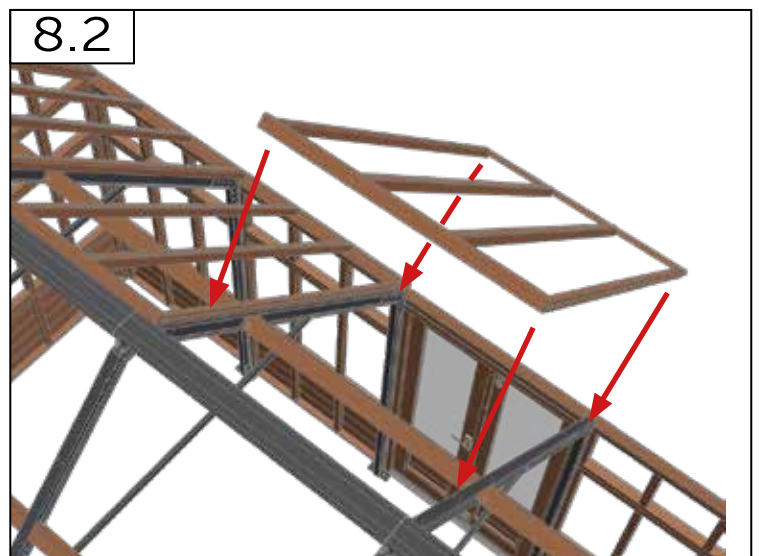
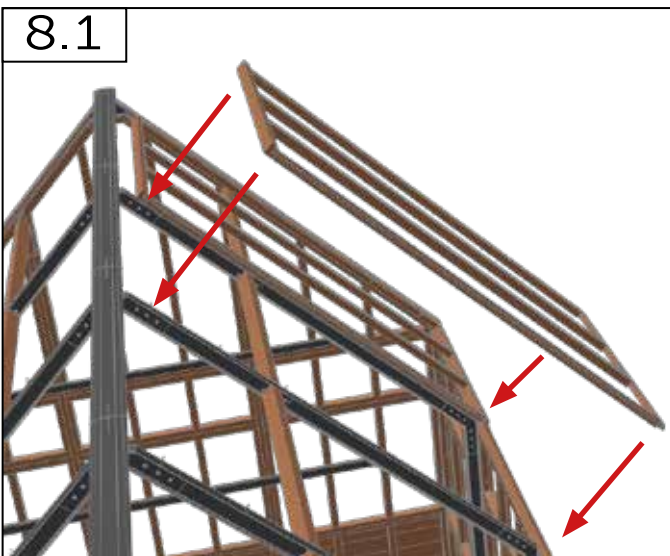
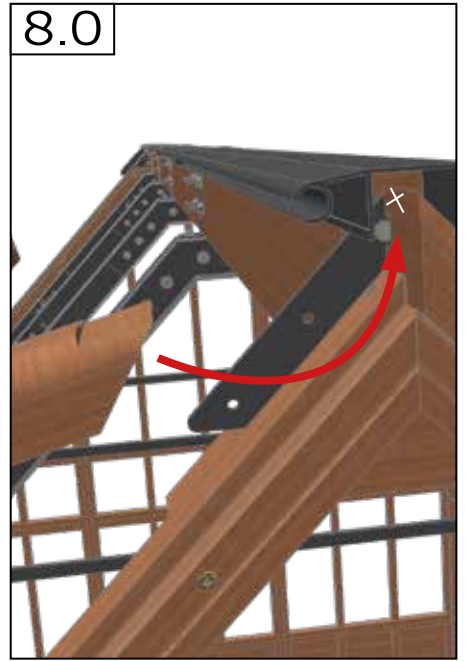
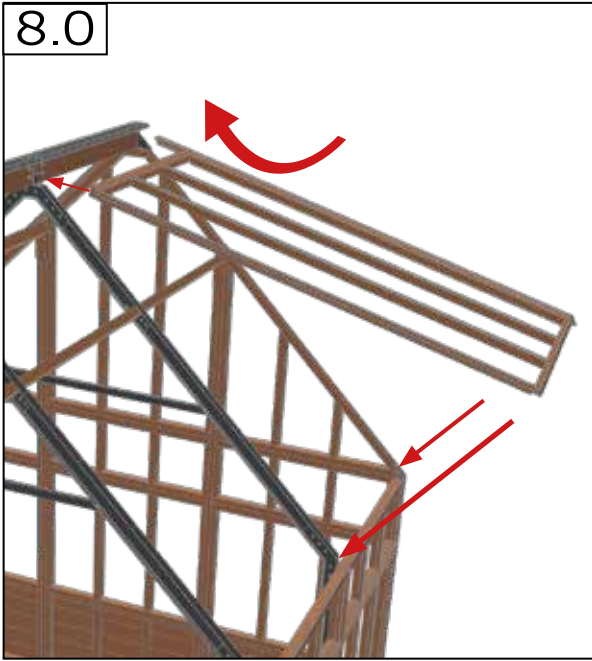


	#	mm
	SC027	4.2 x 65
	WA301	No. 8
	W166-01	-
	W166-02	-
	W900	-

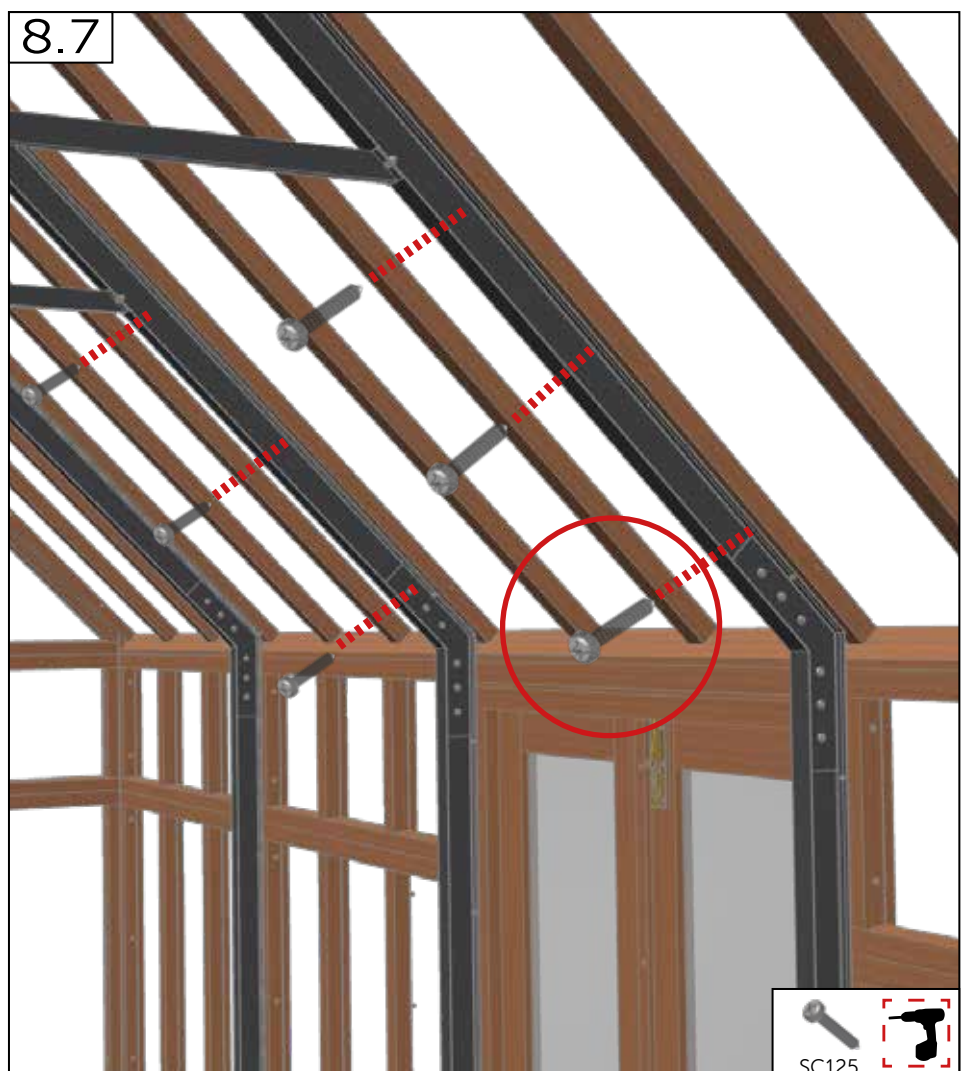
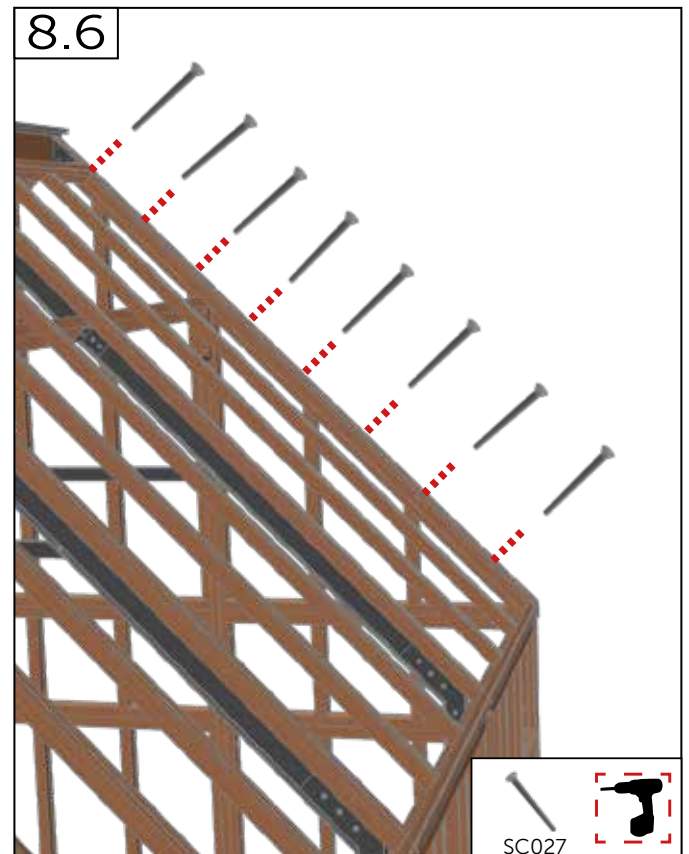
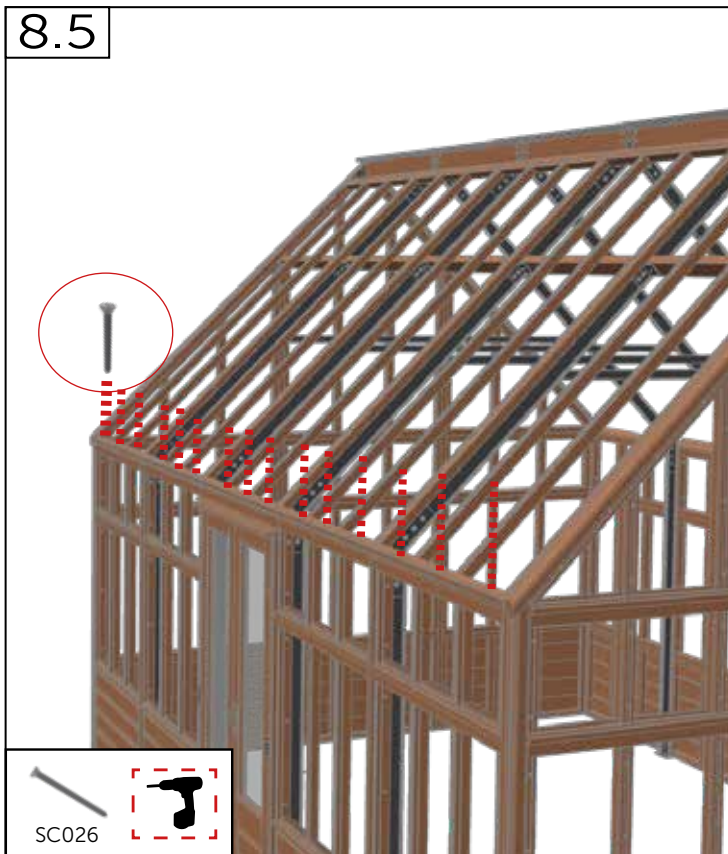






	#	mm
	SC027	4.2 x 65
	SC026	4.2 x 50






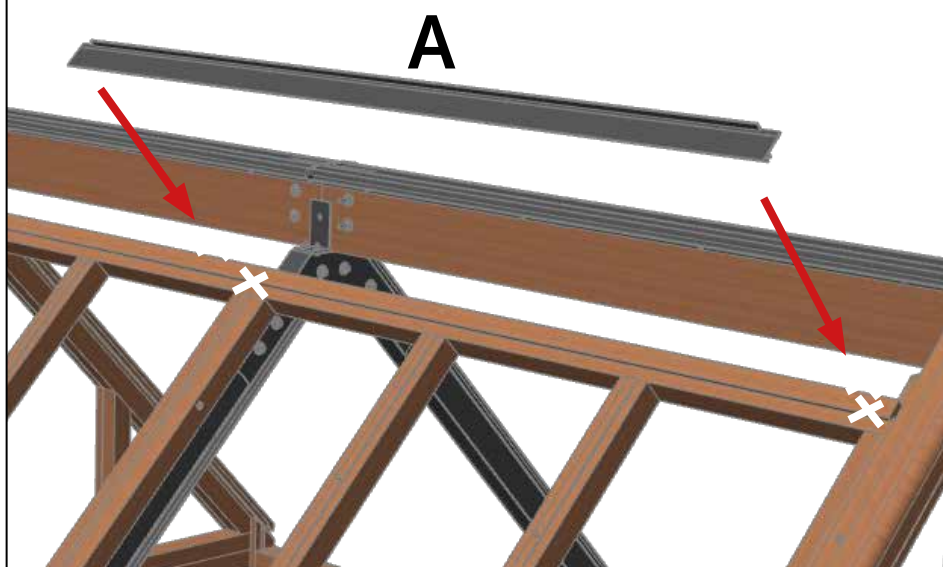
(Extension) Roof - Tag - Dach - Tak - Toit - Dak - Katto - Techo



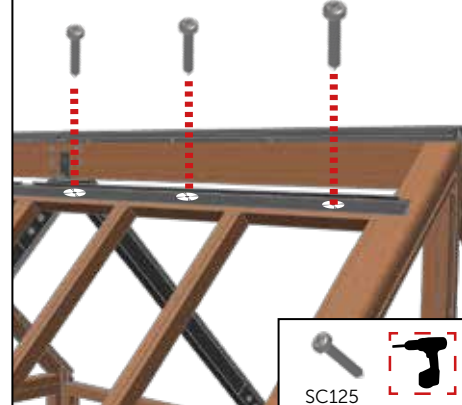
	#	mm
	SC026	4.2 x 50
	SC027	4.2 x 65
	SC125	4.2 x 125

9.0

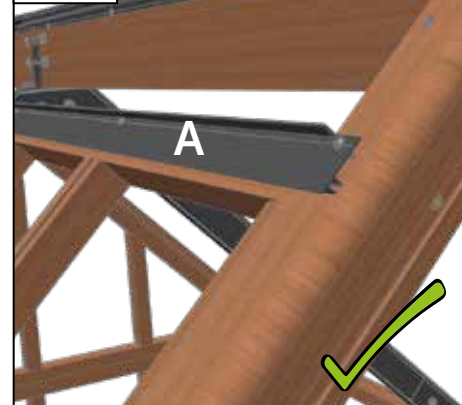
	#	mm
	A AL2021	-
	B AL3011	-
	SC125	4.2 x 25



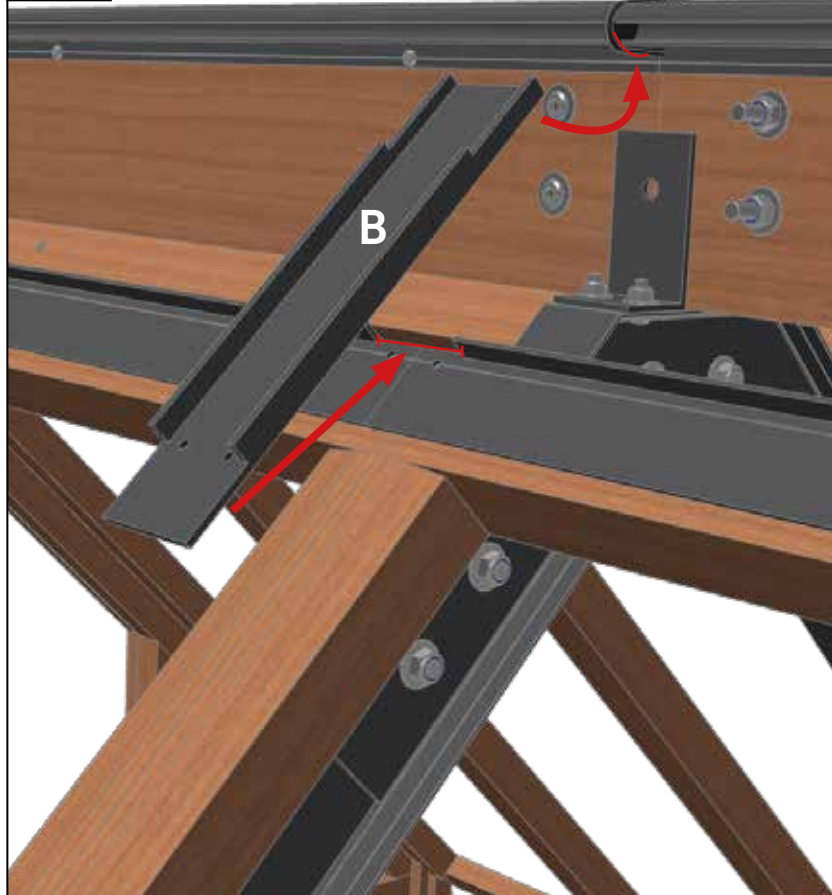
9.1



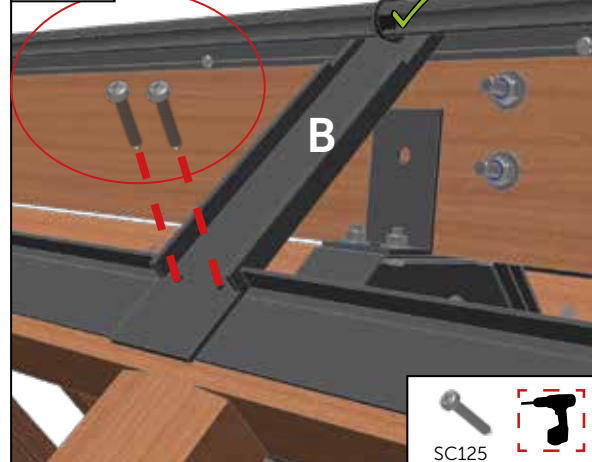
9.2



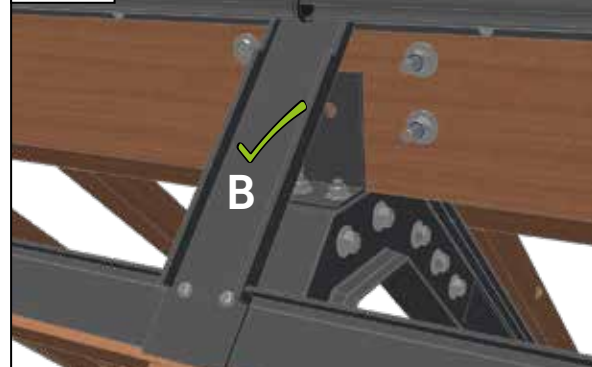
9.3



9.4

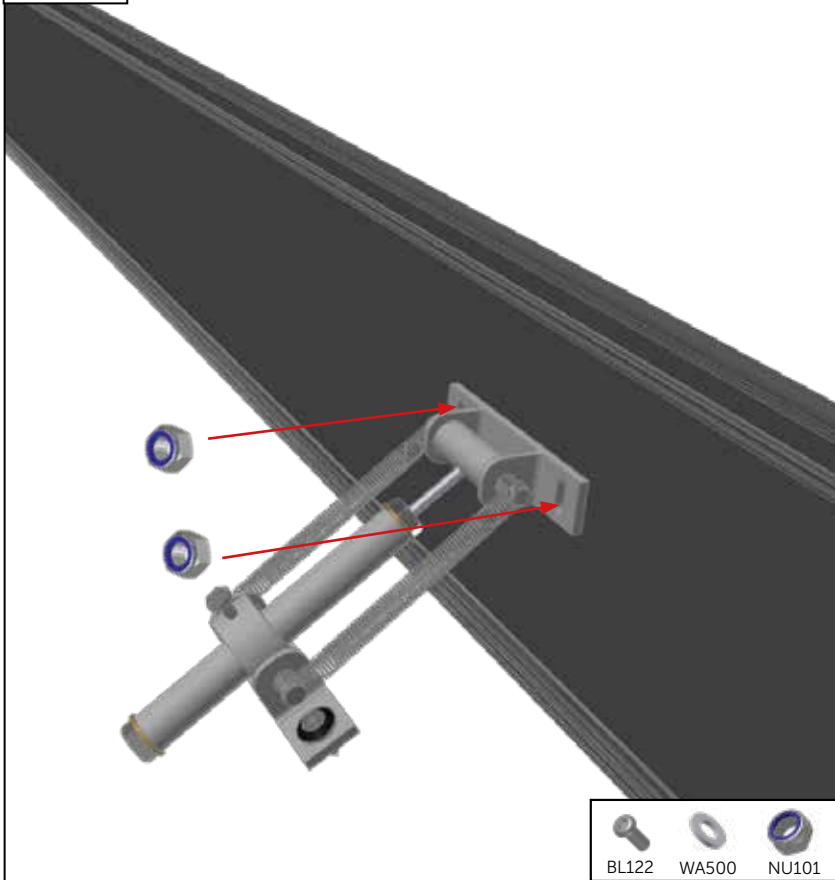


9.5

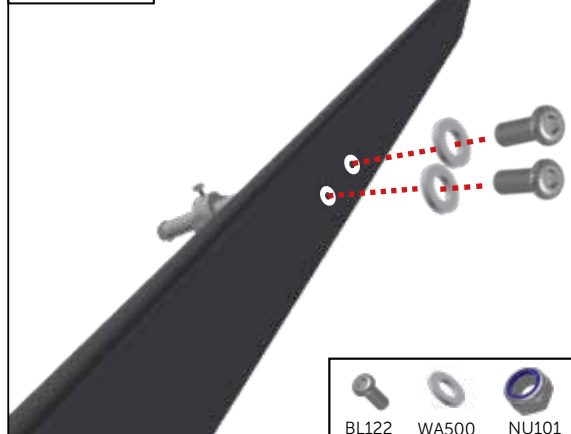


Trims - Trimmer - Trimmen - Garnitures - Versierungen - Trimmit
 - Wykończenia - dornos

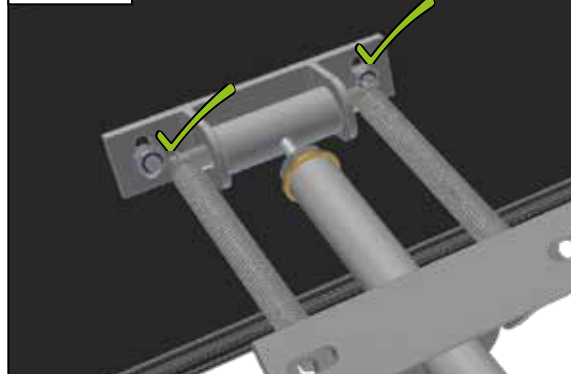
10.0



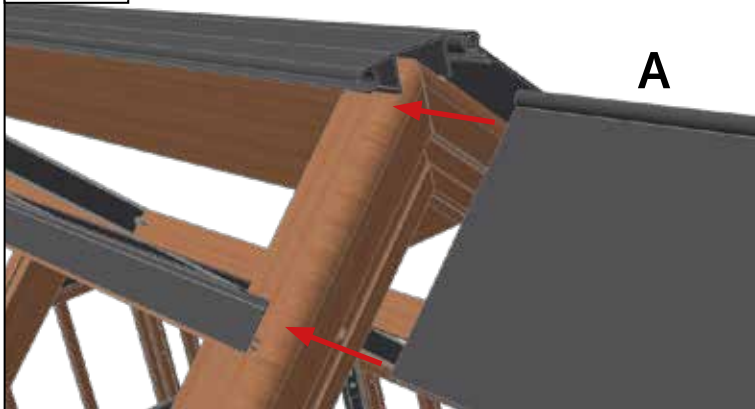
10.2



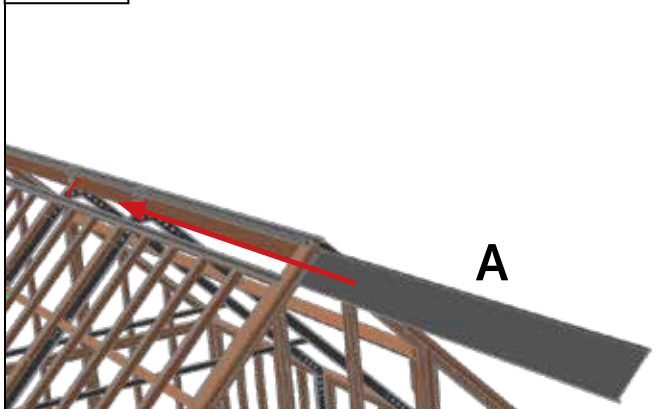
10.1



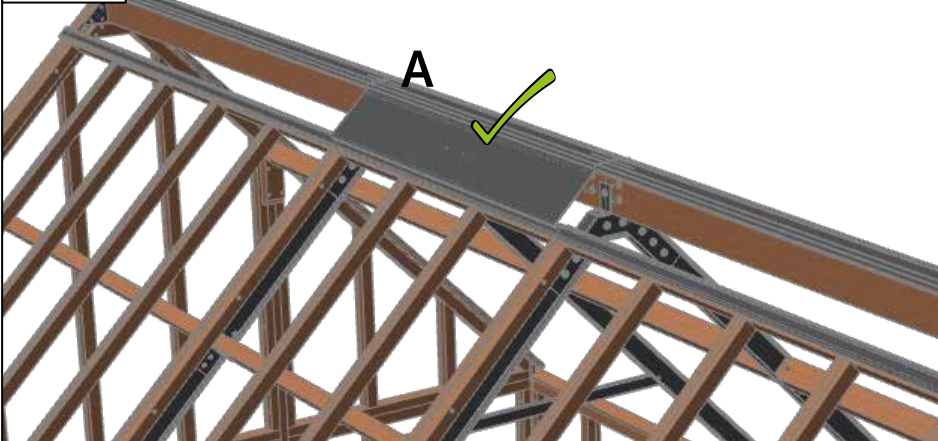
10.0



10.1

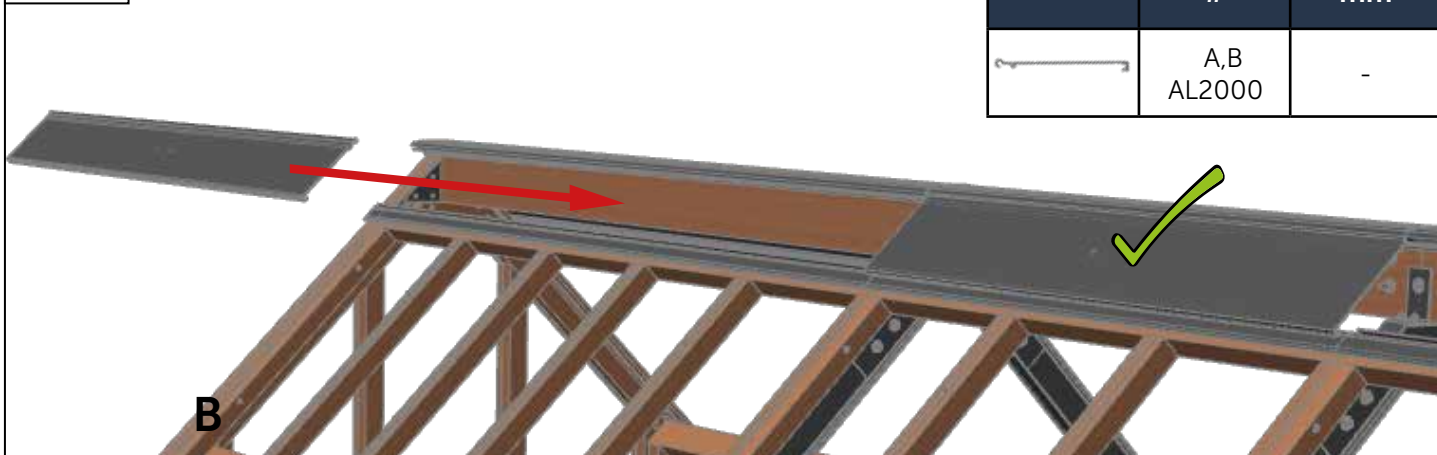


10.2



	#	mm
	A,B AL2000	-
	AV001	-
	WA500	M6 x 16
	NU101	M6
	BL122	M6 x 16

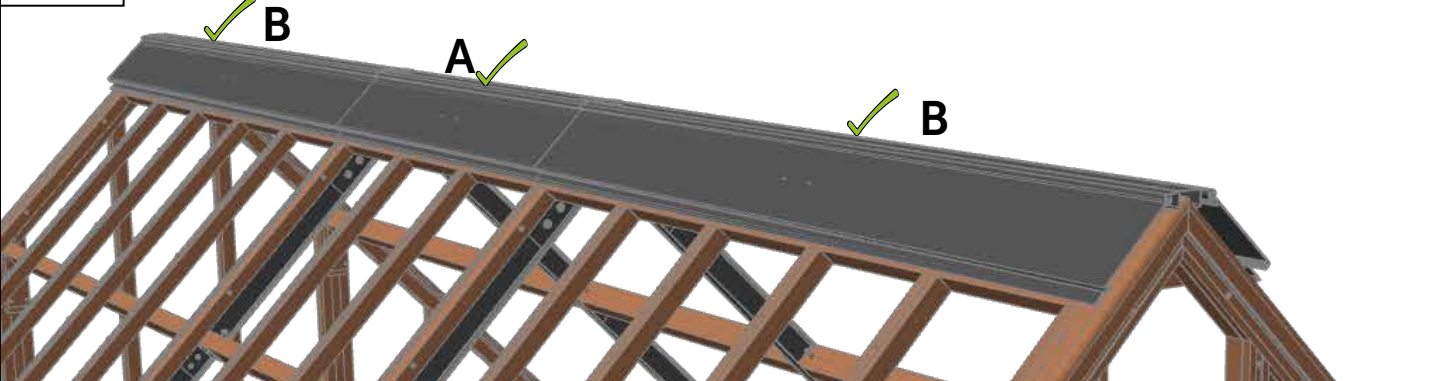
10.3



10.4



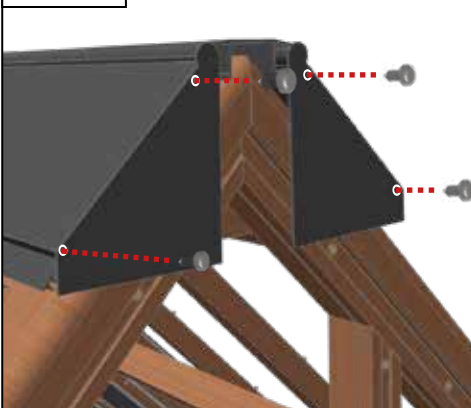
10.5



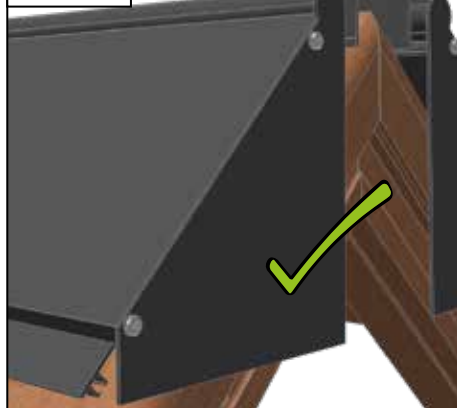
10.6



10.7



10.8

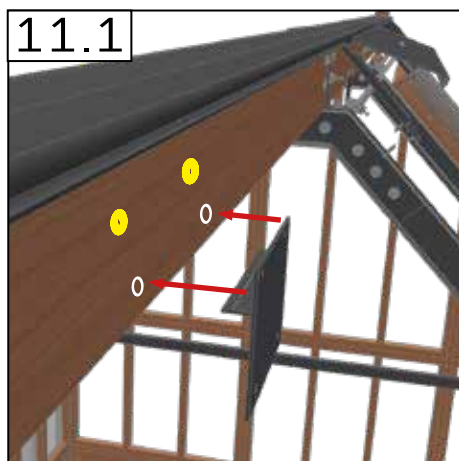


11.0

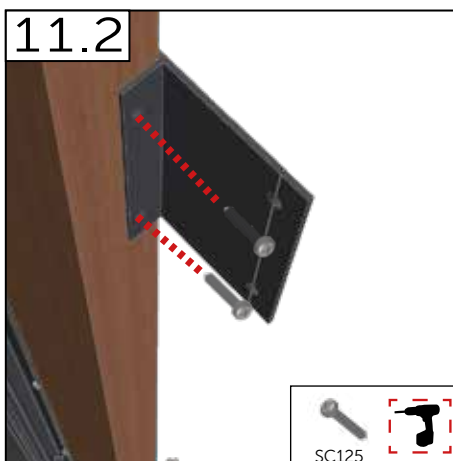
	#	mm
	AV001	-
	WA500	M6 x 16
	NU101	M6
	BL122	M6 x 16
	SC125	4.2 x 95



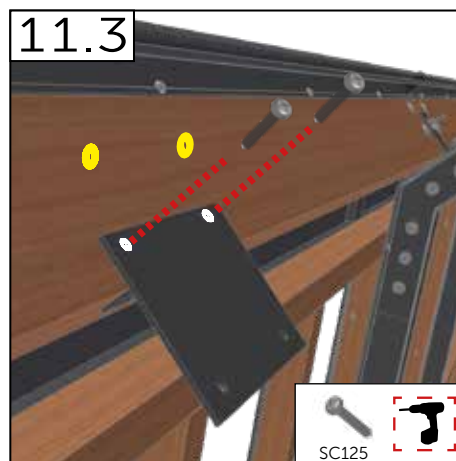
11.1



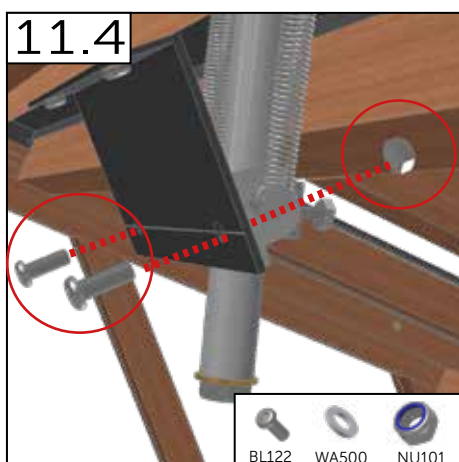
11.2



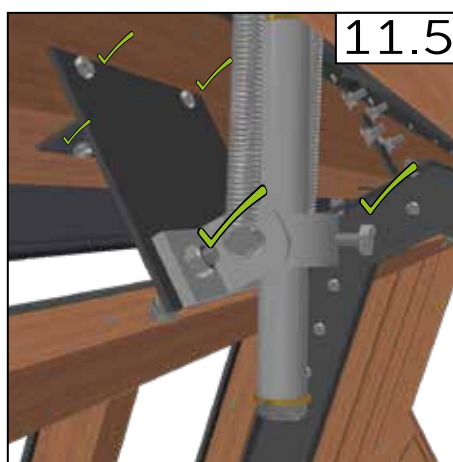
11.3



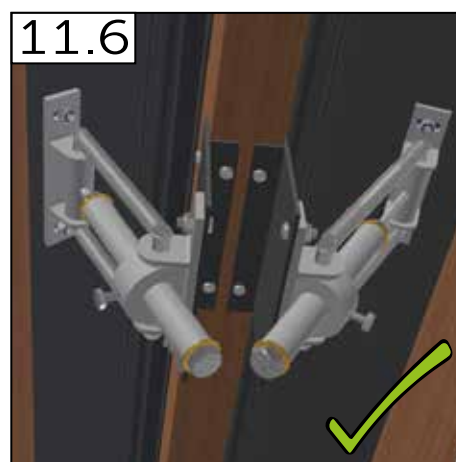
11.4

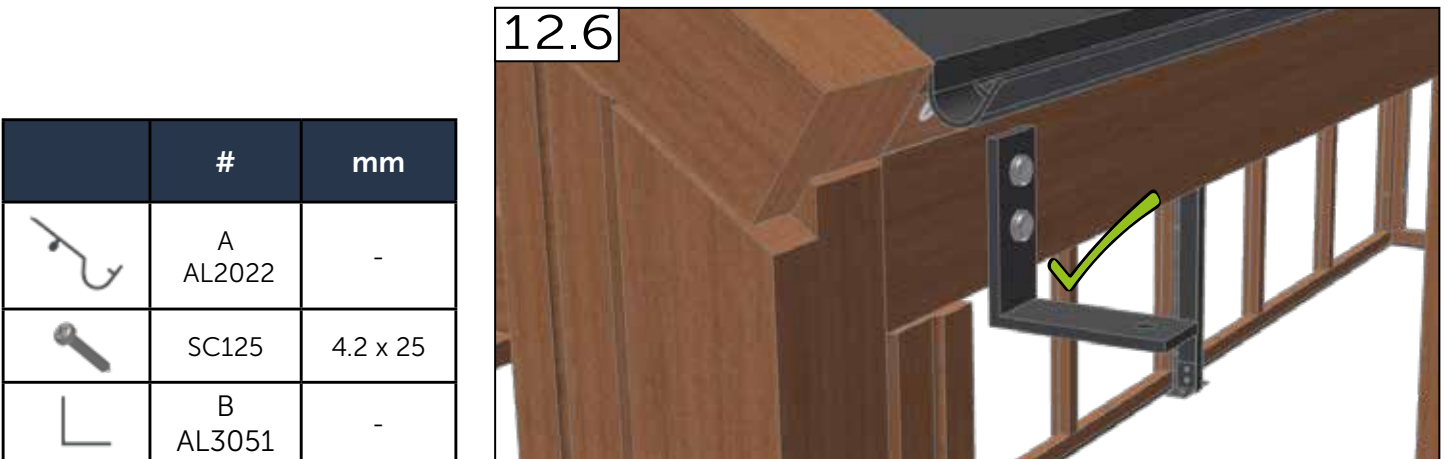
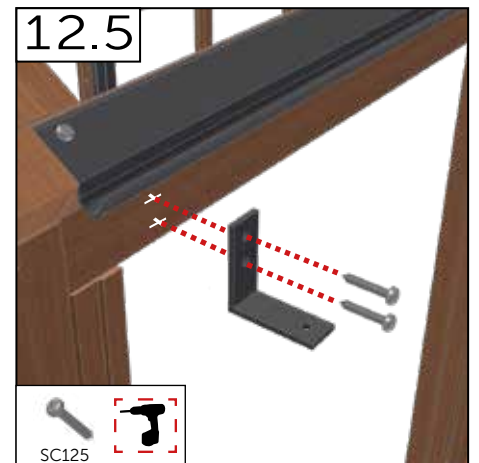
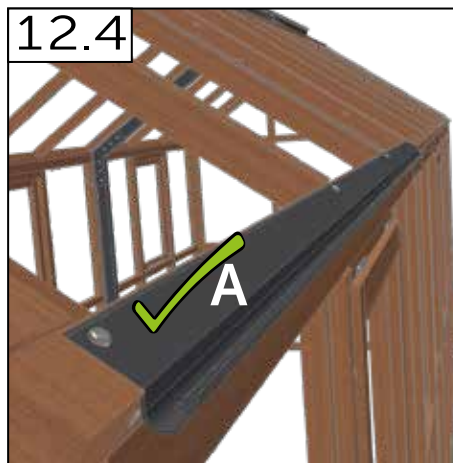
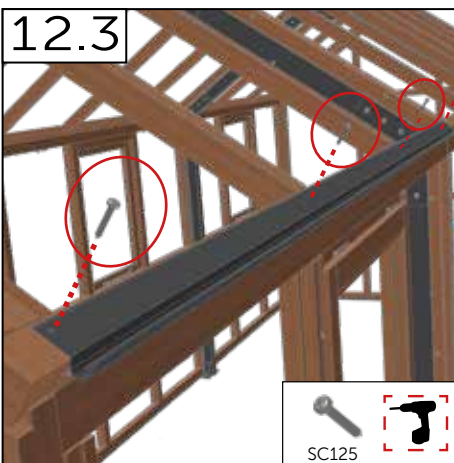
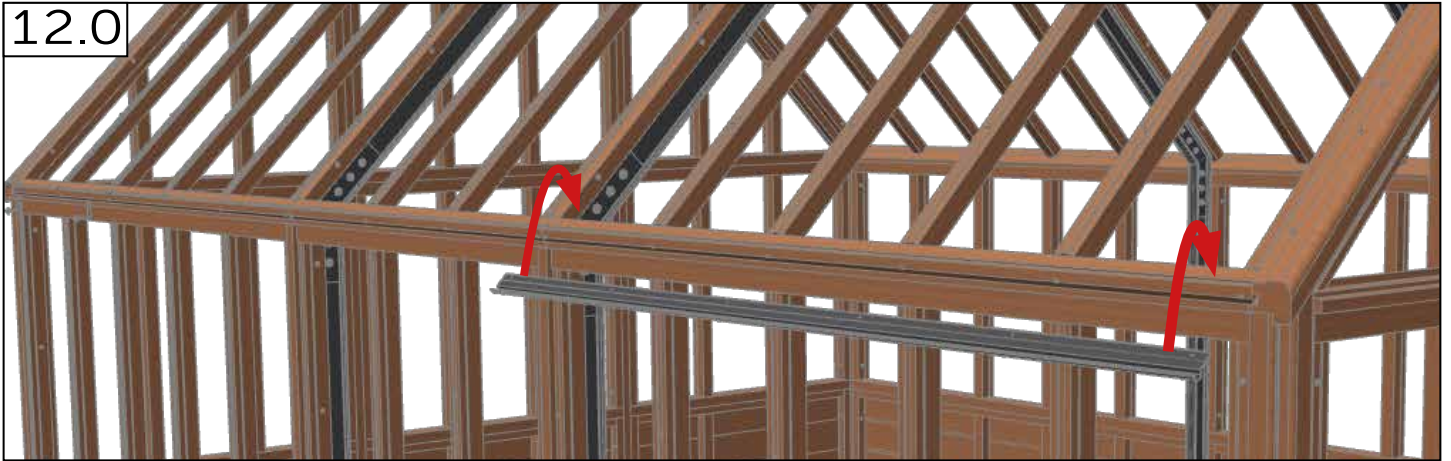


11.5



11.6

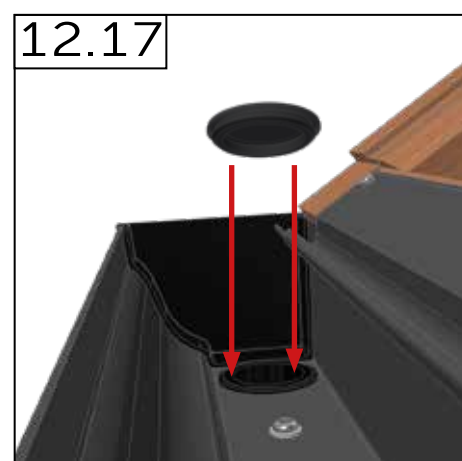
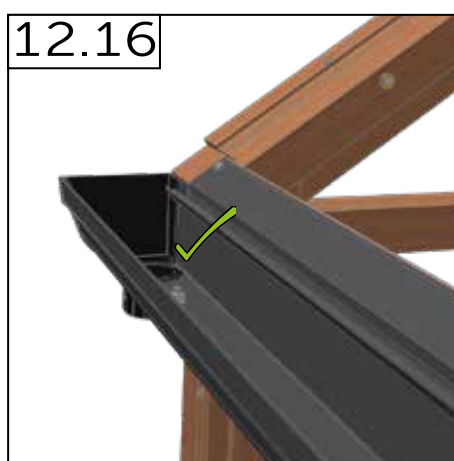
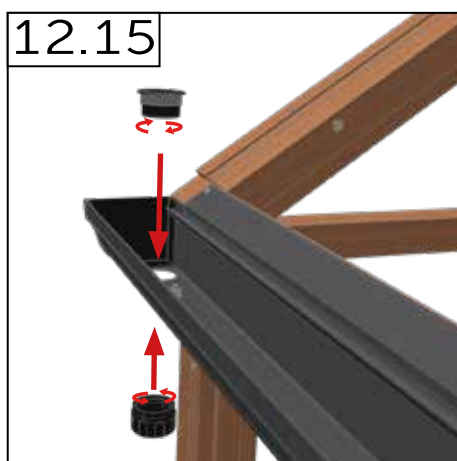
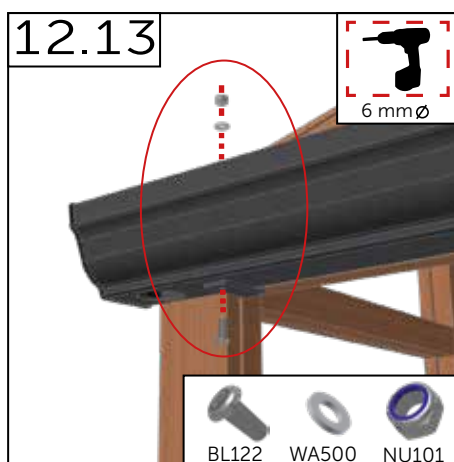
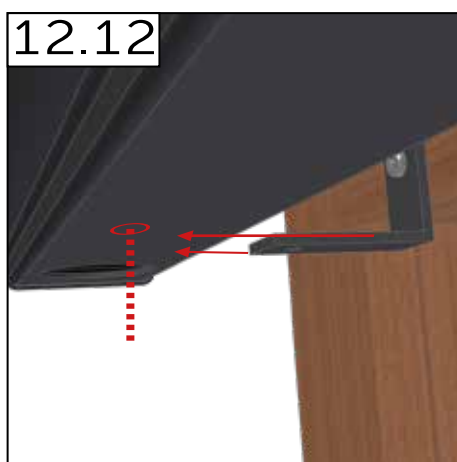
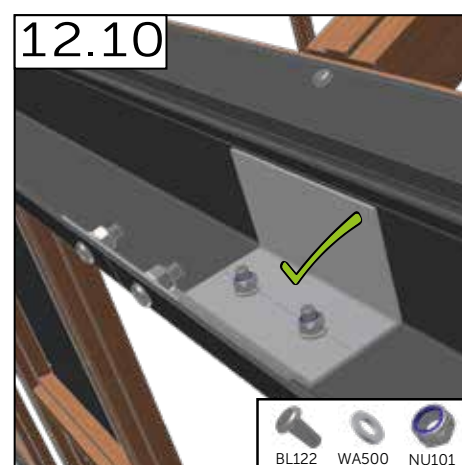
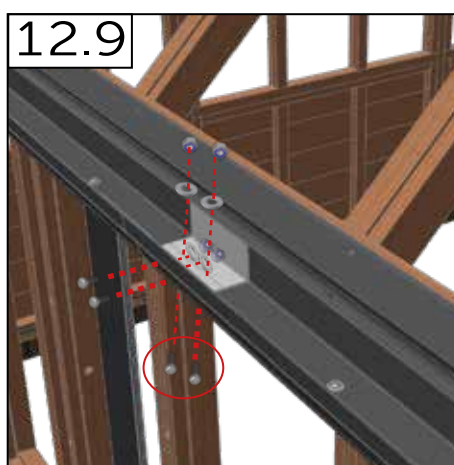
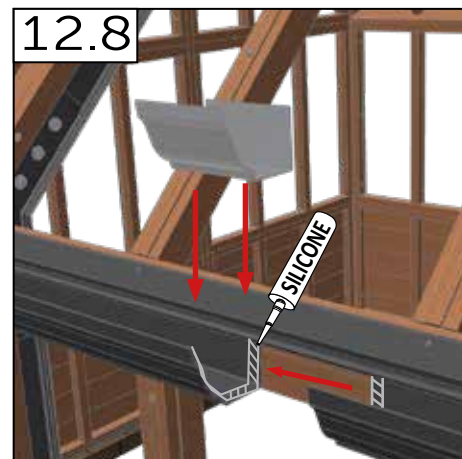
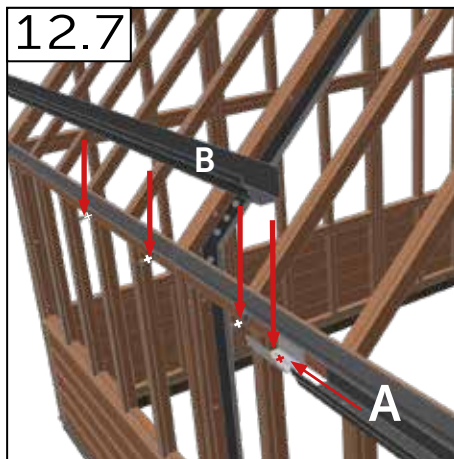




	#	mm
	A AL2022	-
	SC125	4.2 x 25
	B AL3051	-

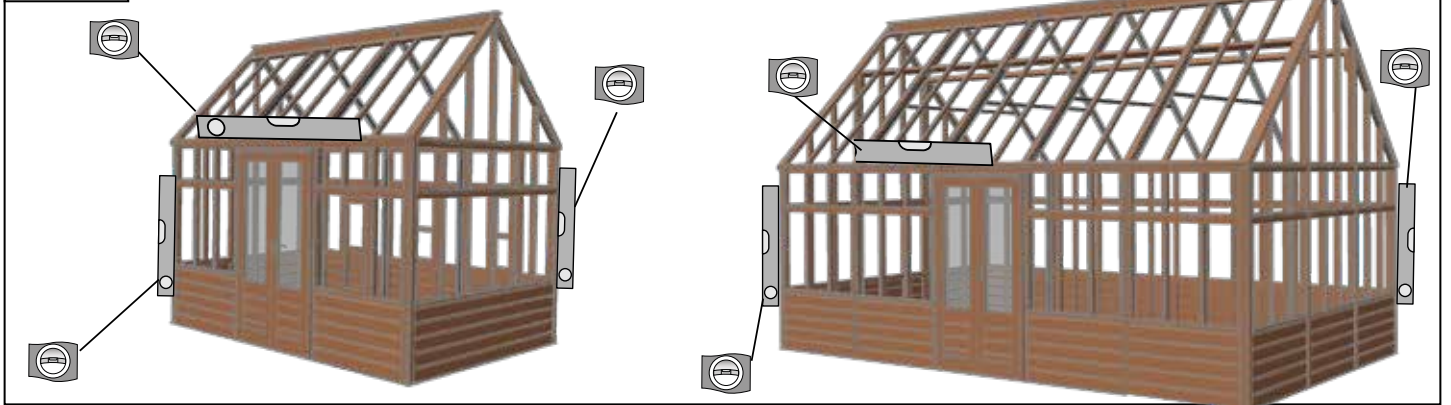
Trims - Trimmer - Trimmen - Garnitures - Versierungen - Trimmit - Wykończenia - dornos

	#	mm
	A AL2014	-
	B AL2014	-
	C AL3018	-
	Silicone	-
	BL122	M6 x 16
	WA500	M6 x 16
	NU101	M6
	PT 200	MALE FEMALE
	PT204	-

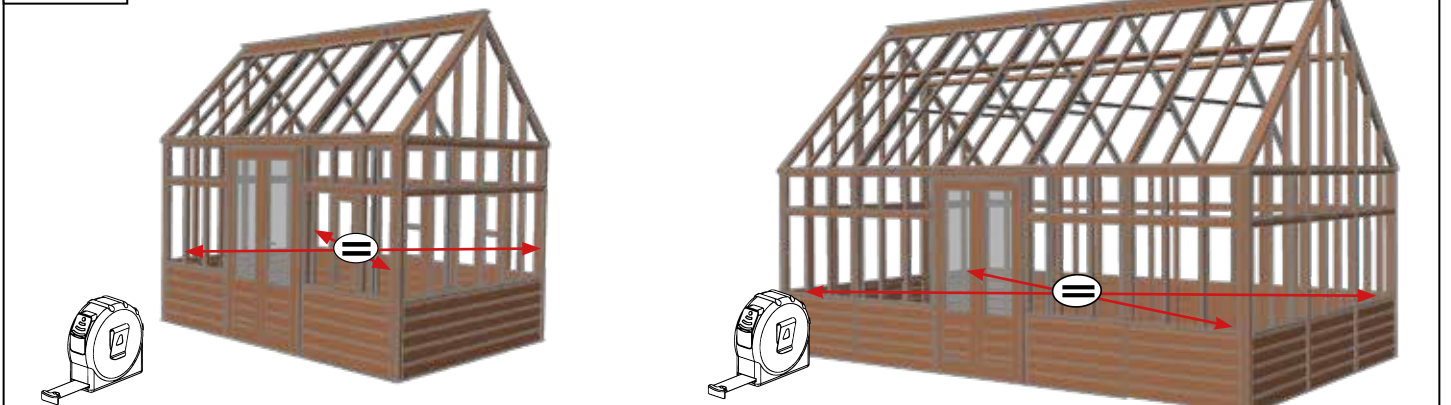


Securing - Sikring - Sicherung - Säkra - Sécurisation - Beveiligen
 - Zabezpieczenie - Sikring - Asegurar

13.0

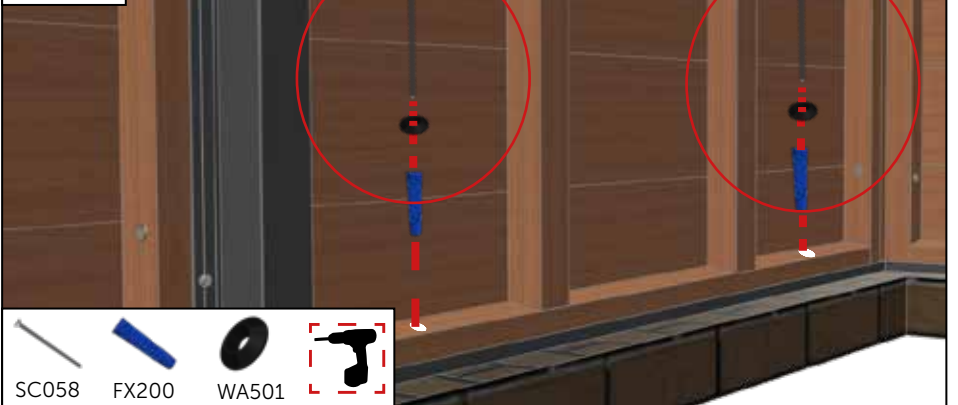


13.0

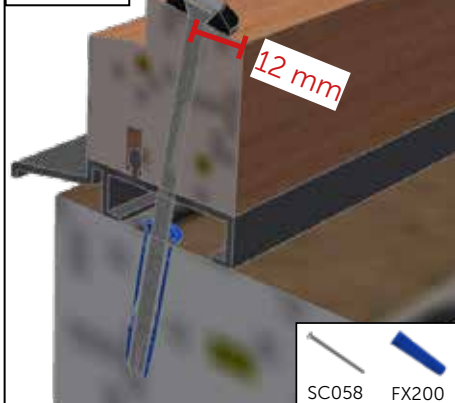


	#	mm
	SC058	4.8 x 100
	WA501	18 x 53
	FX200	8 x 40

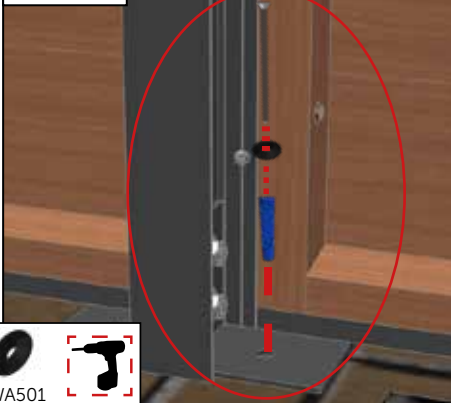
14.0



14.1



14.2

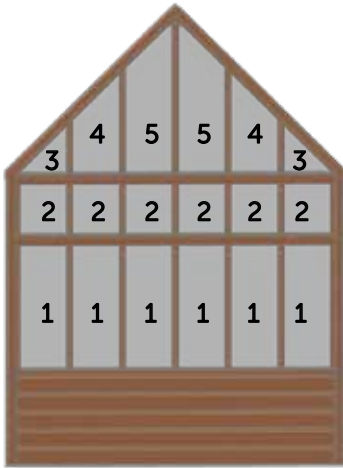


14.3



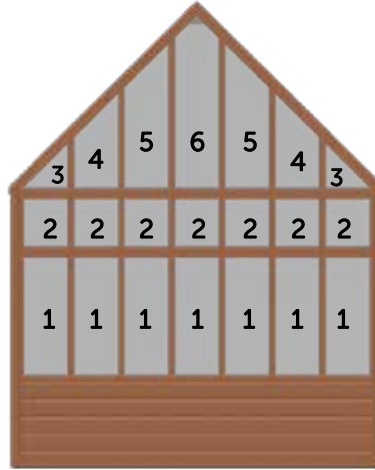
15.0

RHS 'Hyde Hall'
Planthouse



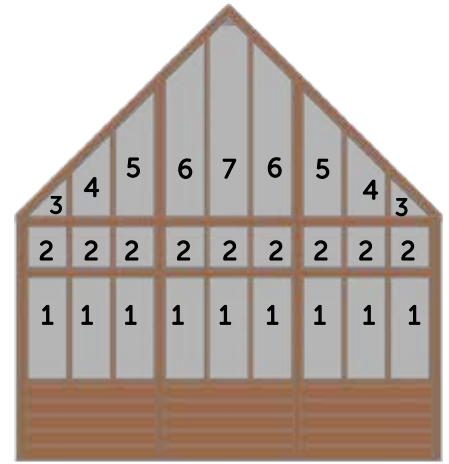
1. 0335 x 0870
2. 0335 x 0360
3. 0350 x 0350
4. 0335 x 0714
5. 0335 x 1078

RHS 'Wisley'
Planthouse



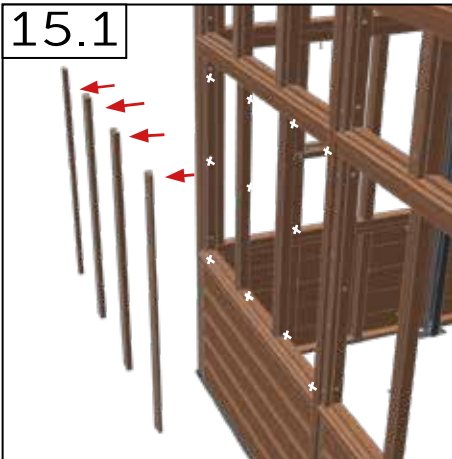
1. 0335 x 0870
2. 0335 x 0360
3. 0350 x 0350
4. 0335 x 0714
5. 0335 x 1078
6. 0335 x 1274

RHS 'Harlow Carr'
Planthouse

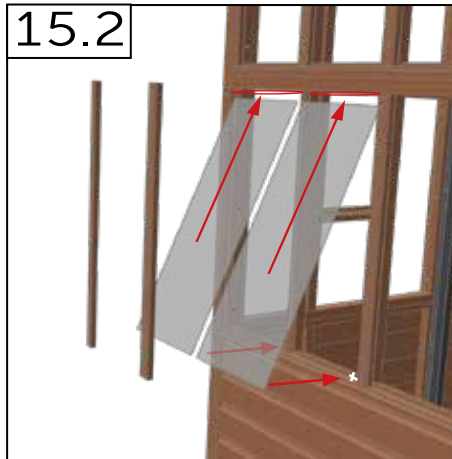


1. 0335 x 0870
2. 0335 x 0360
3. 0350 x 0350
4. 0335 x 0714
5. 0335 x 1078
6. 0335 x 1498
7. 0335 x 1694

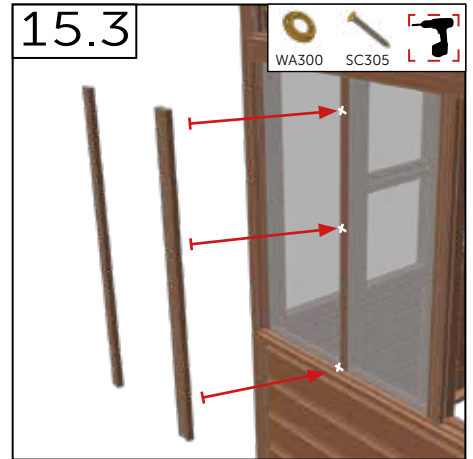
15.1



15.2

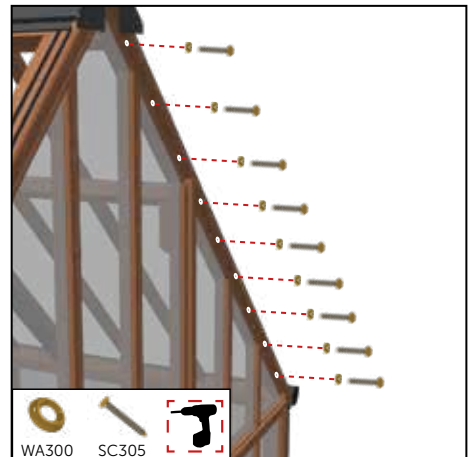
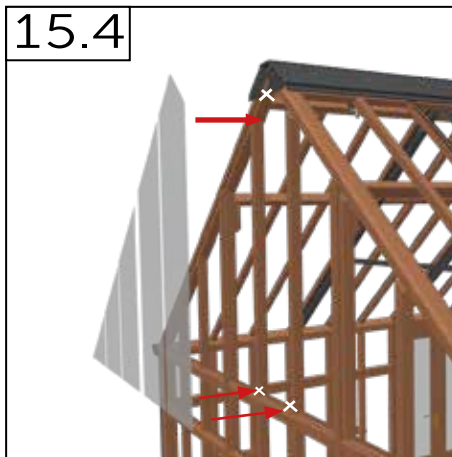


15.3

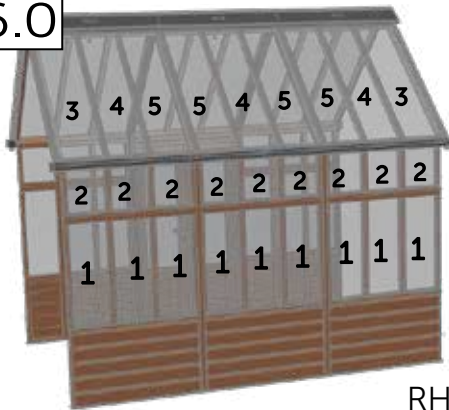


	#	mm
	GLASS	-
	A AL2009	0948
	SC125	4.2 x 25
	SC305	3.5 x 32
	WA300	No. 6

15.4

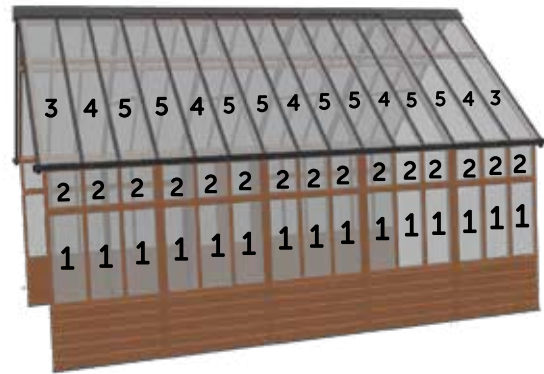


16.0



RHS 'Hyde Hall'
Planthouse

1. 0335 x 0870
2. 0335 x 0360
3. 0405 x 1459
4. 0345 x 1459
5. 0373 x 1459



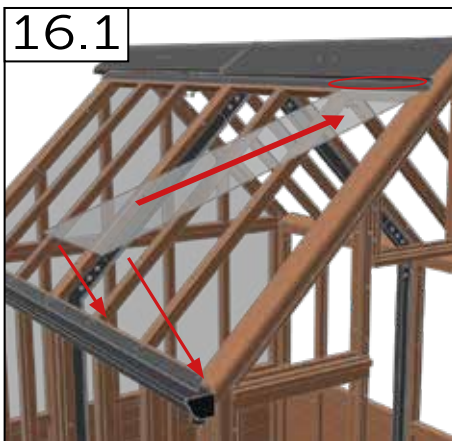
RHS 'Wisley'
Planthouse

1. 0335 x 0870
2. 0335 x 0360
3. 0405 x 1716
4. 0345 x 1716
5. 0373 x 1716

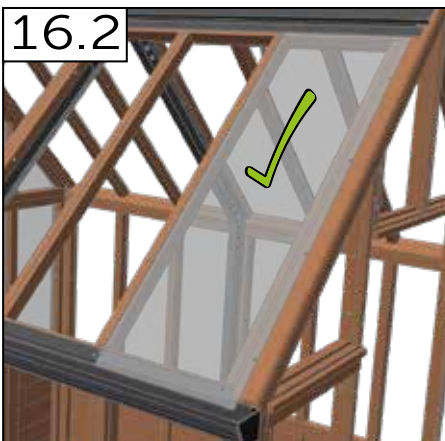
RHS 'Harlow Carr'
Planthouse

1. 0335 x 0870
2. 0335 x 0360
3. 0405 x 2310
4. 0345 x 2310
5. 0373 x 2310

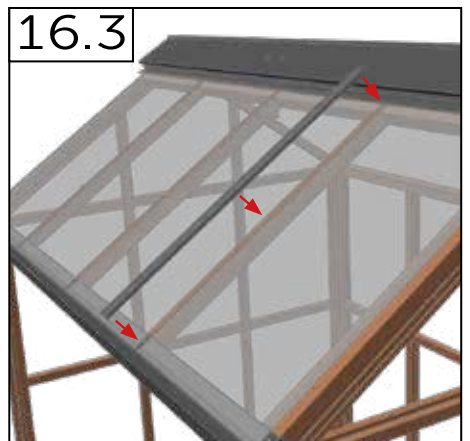
16.1



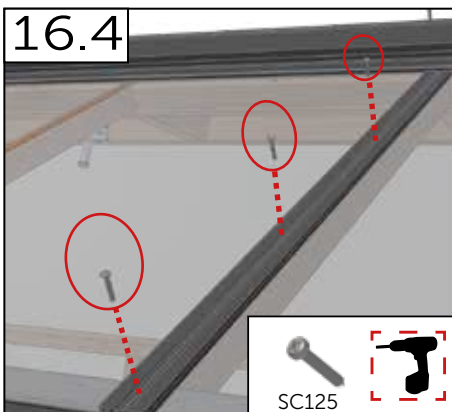
16.2



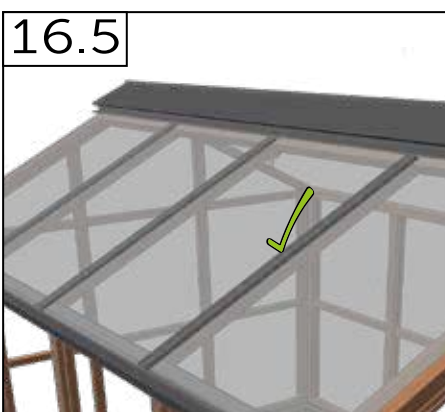
16.3



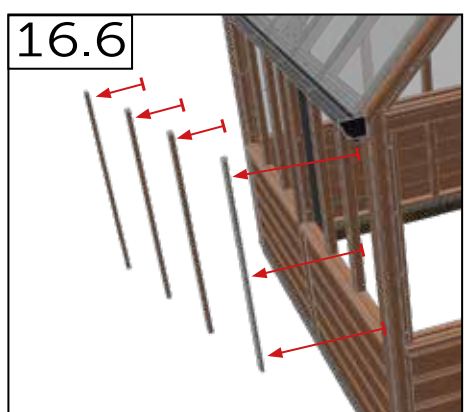
16.4



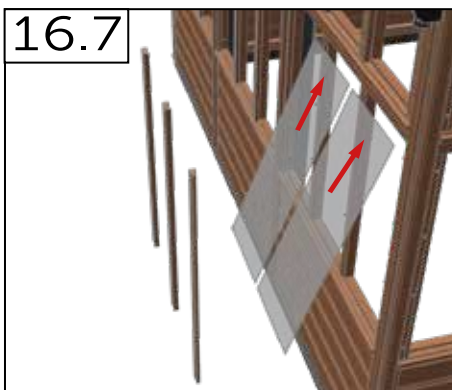
16.5



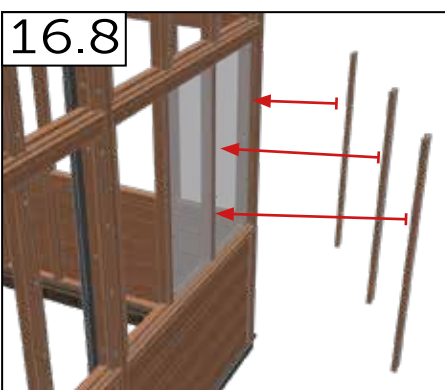
16.6



16.7



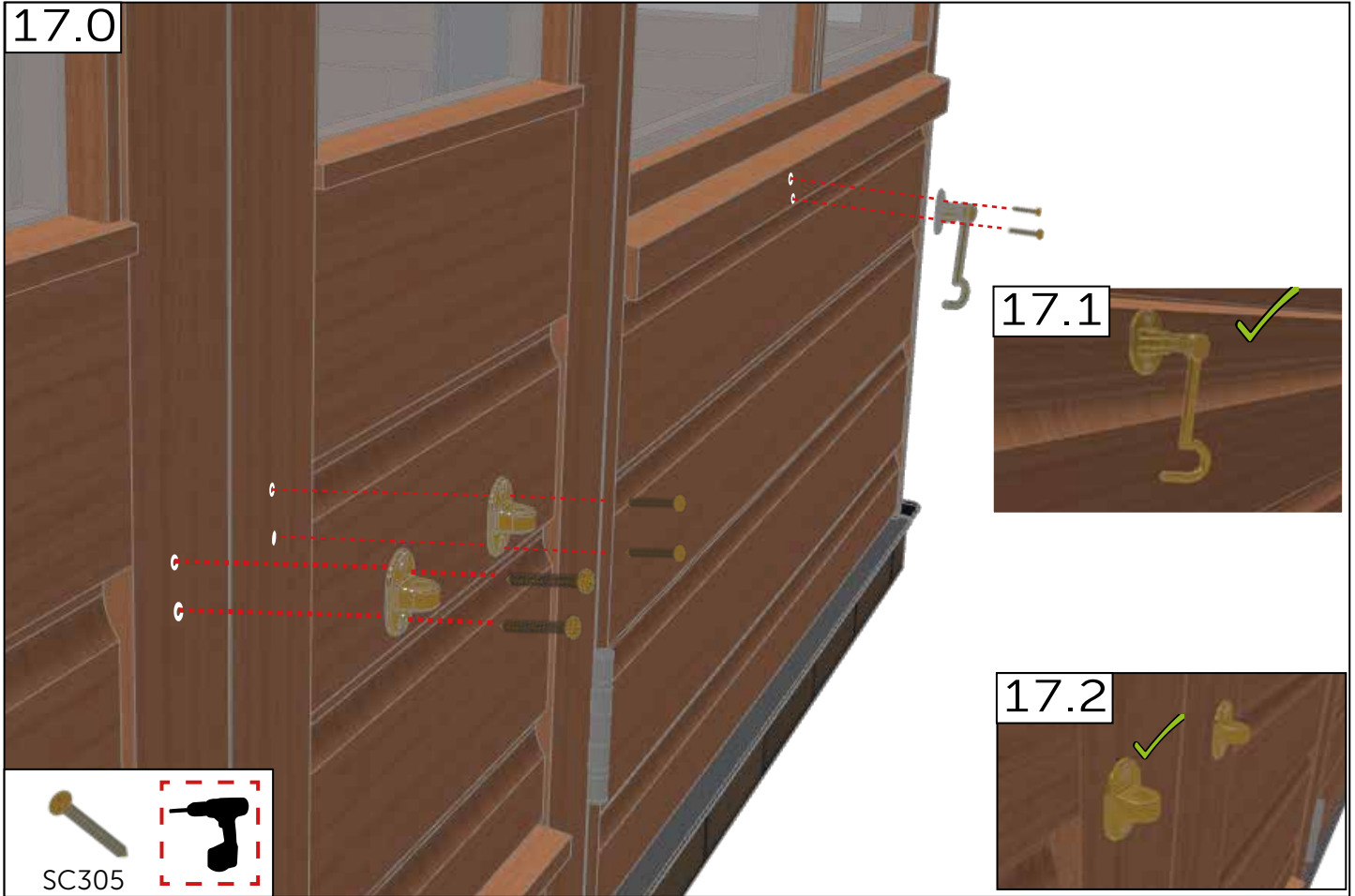
16.8



16.9



17.0



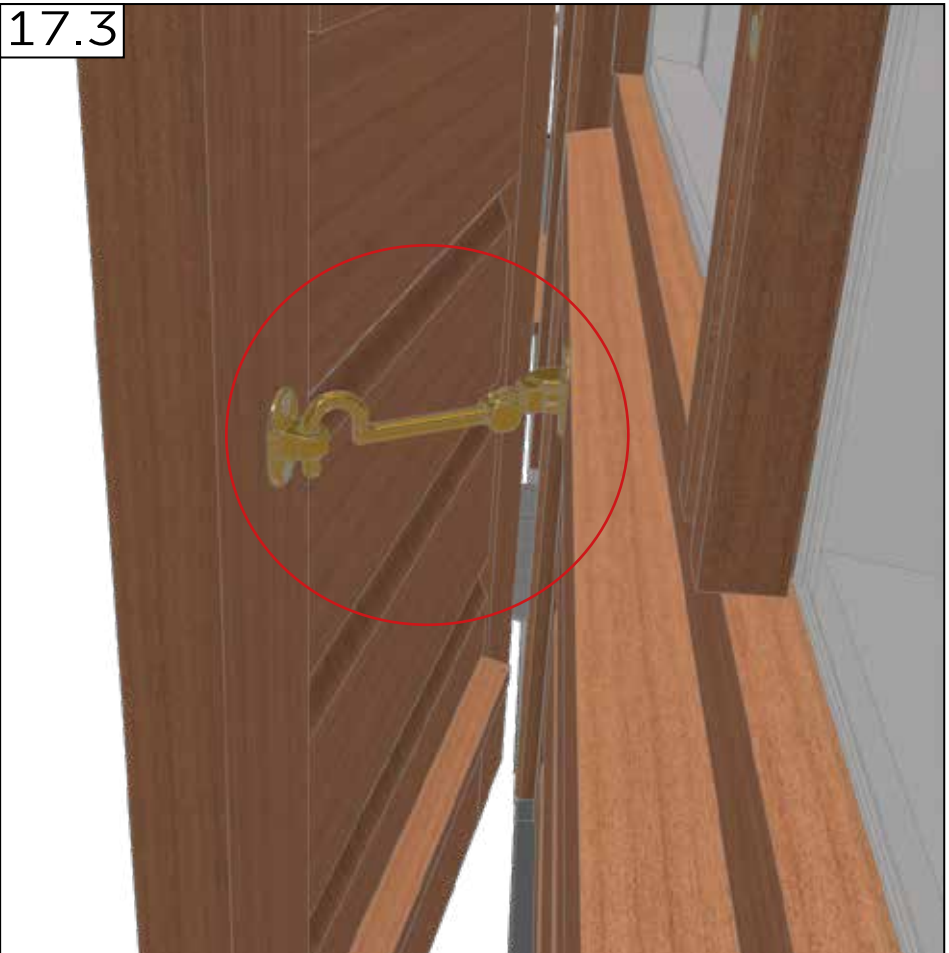
17.1



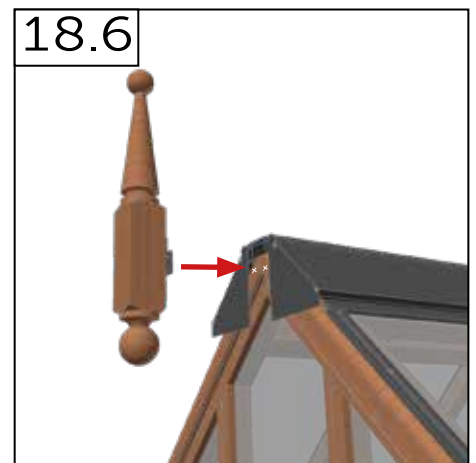
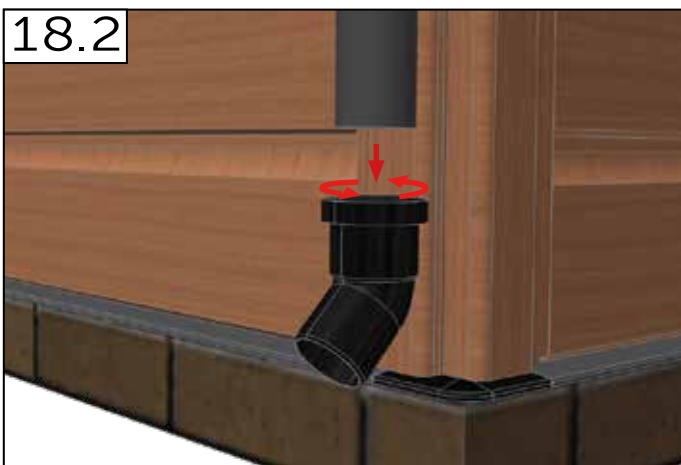
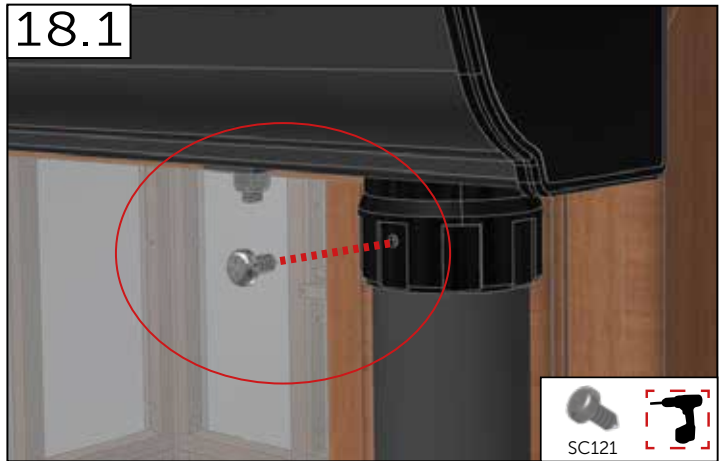
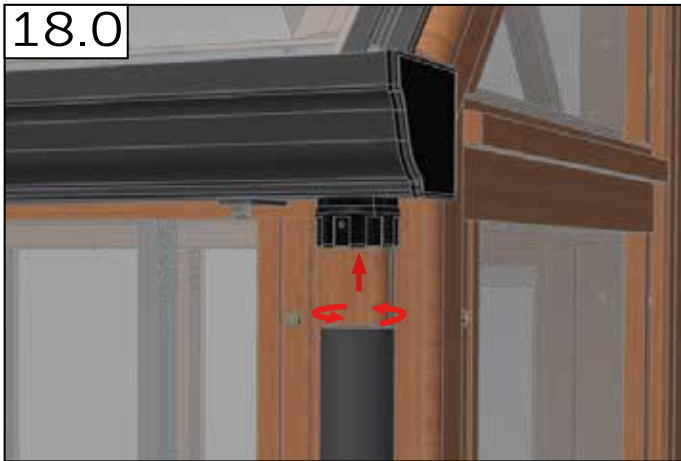
17.2



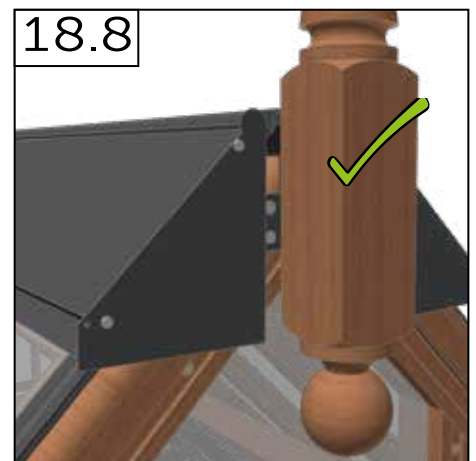
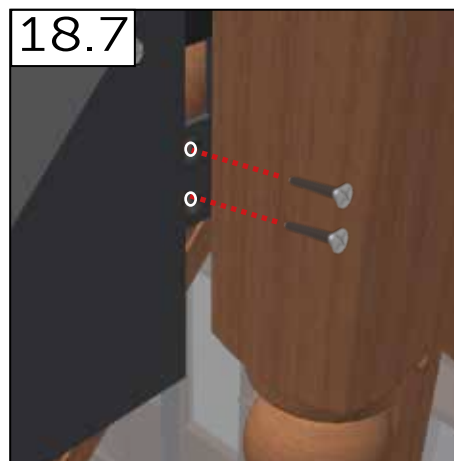
17.3



	#	mm
	SC305	3.5 x 32
	IR302D	-
	IR302	-



	#	mm
	SC121	4.2 x 9.5
	SC125	4.2 x 25
	SC024	4.2 x 38.1
	B AL2016	1447
	PT-201	-
	PT-203	-
	W491	-





GABRIEL ASH

www.gabrielash.com

As part of our policy of continuous development and improvement.
We reserve the right to modify any of the information set out within this document and any related documentation at any time without notice.

This product is delivered by a company in the Juliana Group - www.juliana.com

®The Royal Horticultural Society. The Royal Horticultural Society, and its logo, are trade marks of The Royal Horticultural Society.

(Registered Charity No. 222879/SC038262) and used under licence from RHS Enterprises Limited.