



De-Icer Dock Mount

We at Scott Aerator thank you for your purchase. It is our goal to ensure that you are completely satisfied with your new De-Icer and that it continues to operate smoothly for many years to come. Please take a few moments to read through this document for proper assembly, installation and maintenance to maximize the operating life of the unit.



This Kit Includes

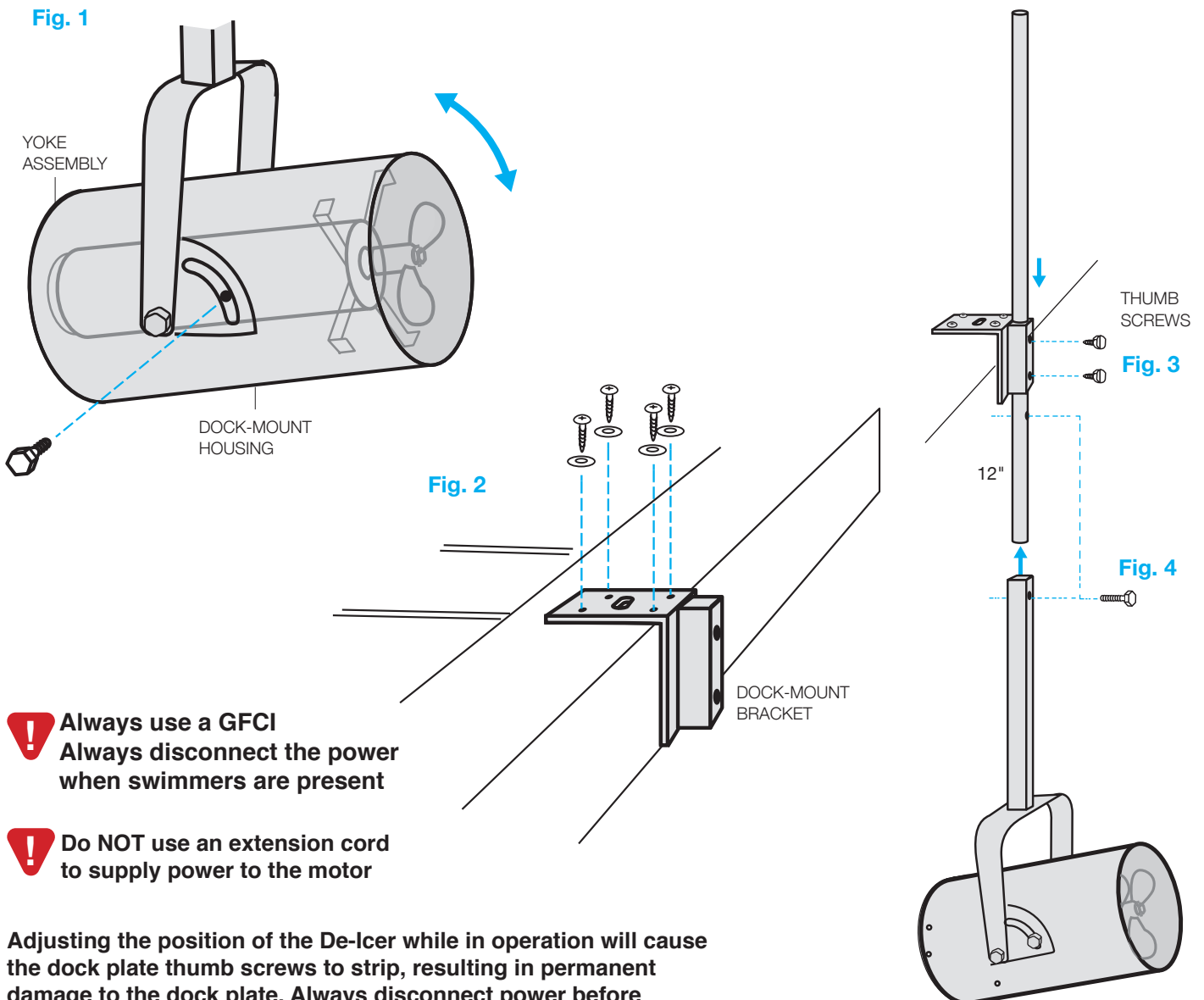
- 1 - DE-ICER HOUSING ASSEMBLY
- 1 - STAINLESS-STEEL POLE
- 1 - DOCK PLATE
- 1 - PACKET OF LUBRICATING COMPOUND
- 2 - STAINLESS STEEL THUMB SCREWS
- 4 - STAINLESS STEEL WASHERS
- 4 - SELF TAPPING STAINLESS STEEL SCREWS

Tools Needed

- PHILLIPS STYLE SCREW DRIVER
- TWO 1/2" WRENCHES (OR PLIERS)

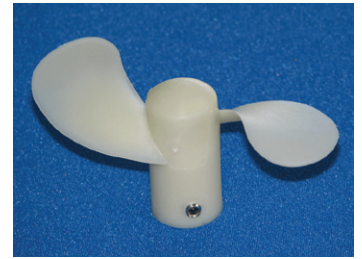
Assembly Instructions

1. Begin the assembly of your Scott De-Icer dock mount model by loosening the stainless-steel bolt from the yoke assembly. Adjust the grey dock-mount housing to the desired angle for water flow and tighten bolt to secure in place. We recommend that the angle is adjusted at a 45 degree angle facing upward toward the surface. [Fig.1](#)
2. Secure the dock plate to your wooden or metal dock, utilizing the 4 large self-tapping screws and washers. [Fig. 2](#)
3. Once the dock plate has been secured, the stainless-steel pole can be inserted through the dock plate sleeve. Simply loosen the 2 thumb screws from the dock plate sleeve, insert the pole from the top through the sleeve by approximately 6 inches, and then re-tighten the 2 thumb screws. [Fig. 3](#)
4. Now, slide the yoke assembly over the bottom of the stainless-steel pole and secure with the bolt provided. [Fig. 4](#)
5. The Scott De-Icer dock mount model easily adjusts for varying water levels by loosening the 2 thumb screws from the dock plate and raising or lowering the De-Icer. We recommend that you lower the De-icer 12 to 18 inches below the water surface for optimum performance. Please note, the 2 thumb screws are coated with a special lubricating compound specifically designed for stainless-steel to ensure proper function. An extra packet of this compound has been included with your purchase; periodic lubrication of the 2 thumb screws is required for years of problem free use and for warranty validation.
6. Finally, power can be supplied to your De-Icer utilizing a standard 110 volt receptacle protected by a GFCI. Extension cords should not be used. Disconnect power when swimmers are present.



Maintaining your De-Icer Dock Mount Model

Most of our products require very little to any maintenance. Under normal operating conditions, you should enjoy many years of trouble free service from the unit. As a rule of thumb, the propeller assembly on our De-Icer should be changed every five years. This is a simple procedure that can be done on-site. When the unit is removed from the water for the propeller switch, it would be a good opportunity to wash the unit down with high pressure water. Once the unit is clean, a visual inspection of the entire De-Icer is recommended to be certain nothing is restricting water flow.



Propeller
Part # 30005

Standard Features

- PVC and American made stainless steel components for all-weather performance
- Moves 400 gallons per minute
- Oil free motor Motor: 115 Volt 60 HZ, single phase, 10 amps, 680 watts, 3,450 rpms
- 12 gauge submersible power cord, 25 feet included, capped by a rugged Hubbell marine style plug
- Assembled unit is 7 feet in length, 55 pounds

Options and Accessories

- 230 volt models available
- Three phase power available
- 50Hz models available
- Longer power cords available

Thermostat (optional accessory)

Save money on your electric bill! Introducing our De-Icer In-Line Thermostat. This outdoor, heavy duty thermostat control box allows you to set and forget your De-Icer to run when temperatures get frigid. Factory set at an outside air temperature of 30 degrees Fahrenheit, the thermostat automatically starts your De-Icer and keeps it running until the air temp warms to 31 degrees F, or higher. Fully adjustable from 0 F up to 80 F, this product is UL listed. The impact resistant enclosure and 8 foot power cord both come standard, simply plug your De-Icer in and you're ready to go.



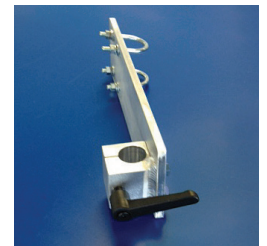
Thermostat
Part # 20042

Mounting options

The standard dock platform mounting bracket (included) will accommodate most standard docks. If your application requires special mounting equipment, please give us a call and we'd be happy to assist.



Dock Platform
Mounting Bracket
Part #20026



Dock Post
Mounting Bracket
Part #16501

Fully Programmable Oscillator (optional accessory)

Our new fully programmable oscillator attachment helps keep larger areas free from ice build-up without the need to purchase a second De-Icer. No need to turn the De-Icer in it's mounting; the oscillator does it for you! We pre-program the oscillator to rotate the De-Icer in 20 degree increments every 20 minutes – you set it for any radius you wish. Then plug it in and forget about it!

The oscillator installs in minutes to your new or existing De-Icer.



Oscillator
Part #165750

The Scott Aerator Awesome Warranty

All standard Scott Aerator products are unconditionally warranted for five years against motor defects in materials or workmanship, under normal operating conditions. All other product components are warranted for one year from date of purchase. Scott Aerator will repair or replace failed parts under warranty when the defective unit is returned to the factory, shipping prepaid, and factory inspection establishes that the part was defective. The unit must be returned to the factory prior to shipment of replacement parts. All parts replaced under this warranty will be returned with shipping prepaid. Scott Aerator will not be liable for consequential damage nor for any costs associated with removal or attempts to repair components in the field.



13245 Barry Street, Holland, MI 49424
scottaerator.com
information@scottaerator.com
800-WATER-45 (800-928-3745)
(616) 392-8882

