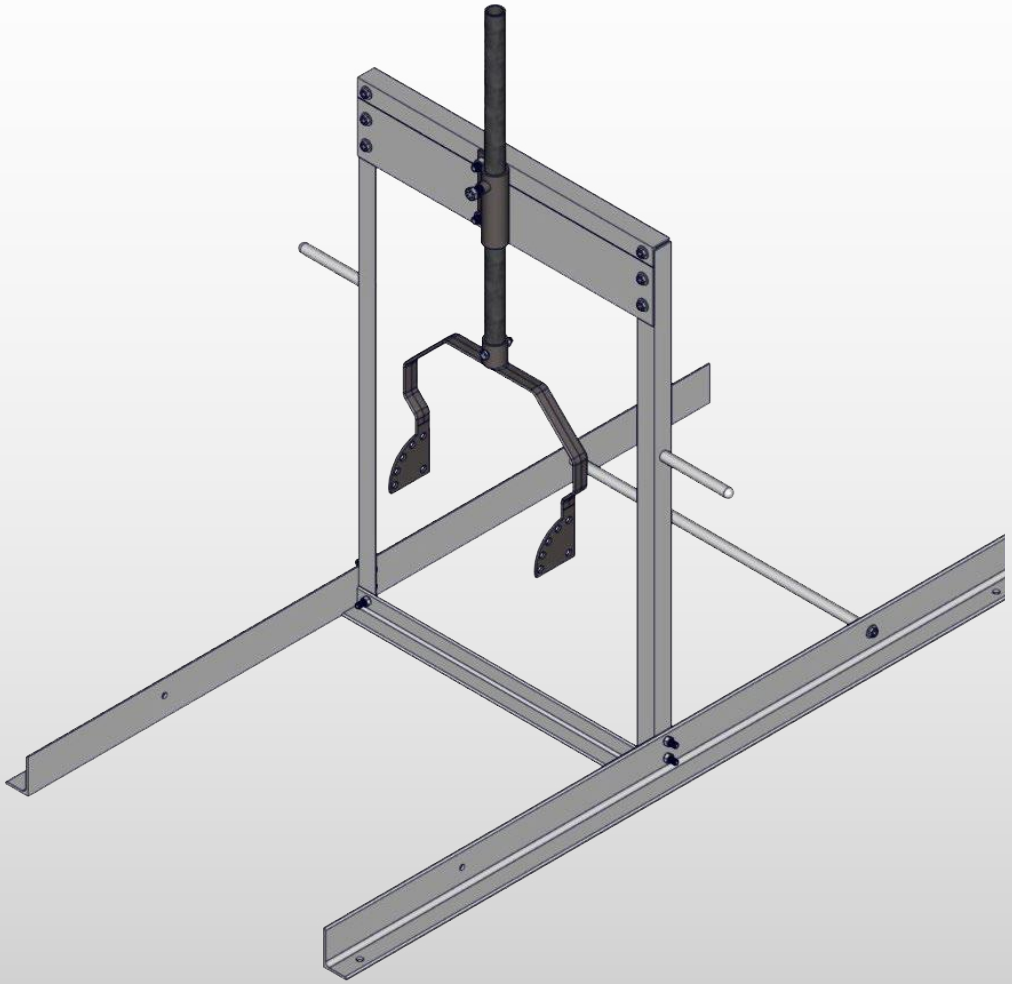




BEARON AQUATICS

ICE EATERS | OLYMPUS FOUNTAINS | POWER HOUSE AERATION

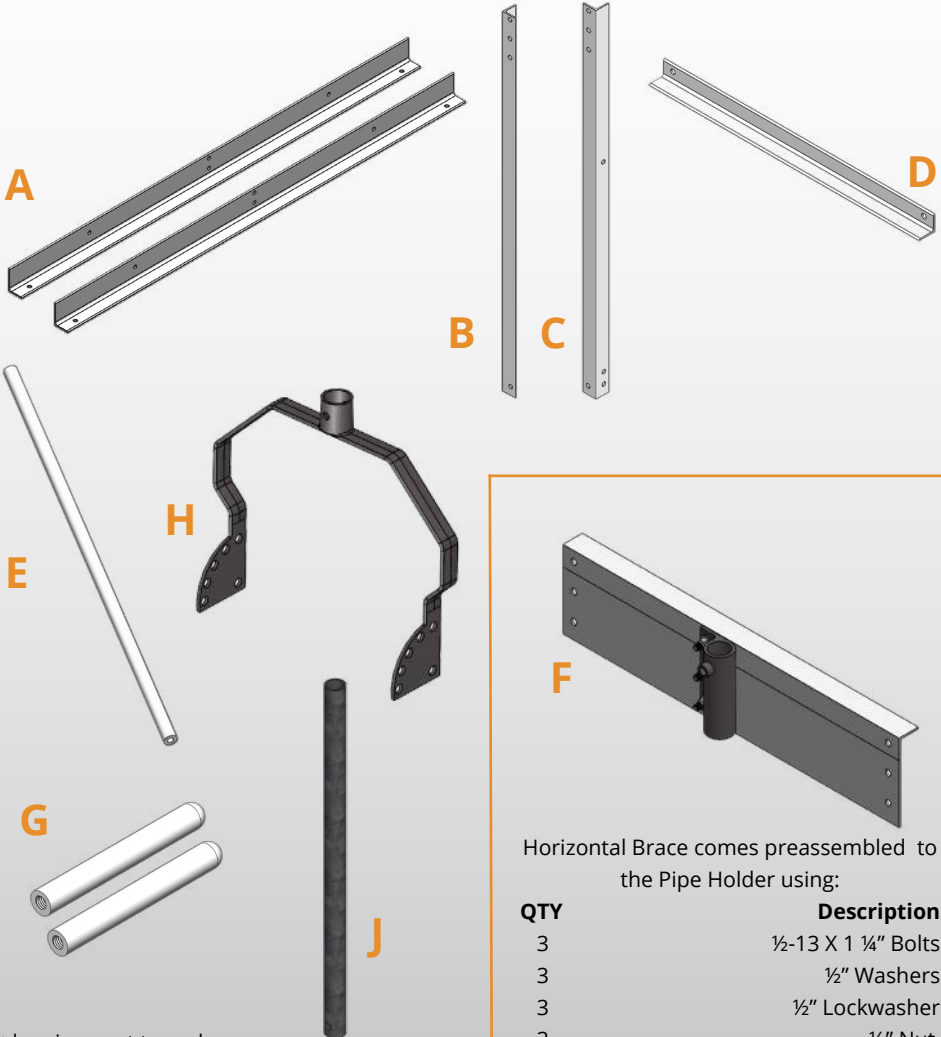
Shallow Water Stand | Assembly Instructions



Parts

STAND PIECES

QTY	DESCRIPTION
A	2 Foot (angle): 2" x 3" x 60"
B	1 Left Vertical Bar (angle): 1 1/2" x 1 1/2" x 40"
C	1 Right Vertical Bar (angle): 1 1/2" x 1 1/2" x 40"
D	1 Bottom Horizontal Bar (angle): 1 1/2" x 1 1/2" x 26"
E	1 Support Bar: 0.75" diameter; 26"
F	1 Horizontal Brace
G	2 Handle
H	1 Bail
J	1 Pipe: 1" diameter; 26 1/2"



HARDWARE

QTY	DESCRIPTION
1	1/2-13 x 1 1/4" Bolt
1	3/8-16 x 2 1/4" Bolt
16	3/8-16 x 1" Bolt
14	3/8" Nut
28	3/8" Flat Washer
16	3/8" Lockwashers

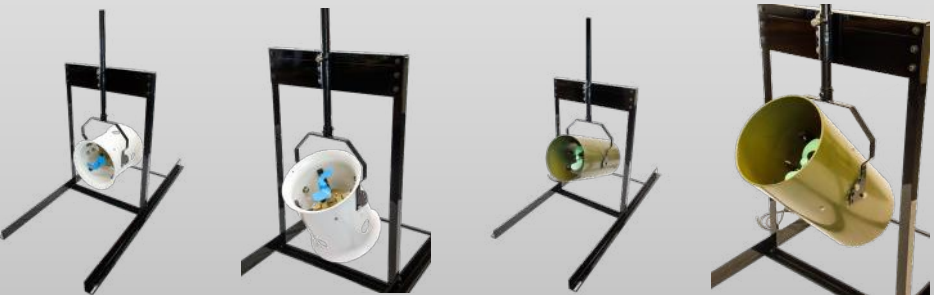
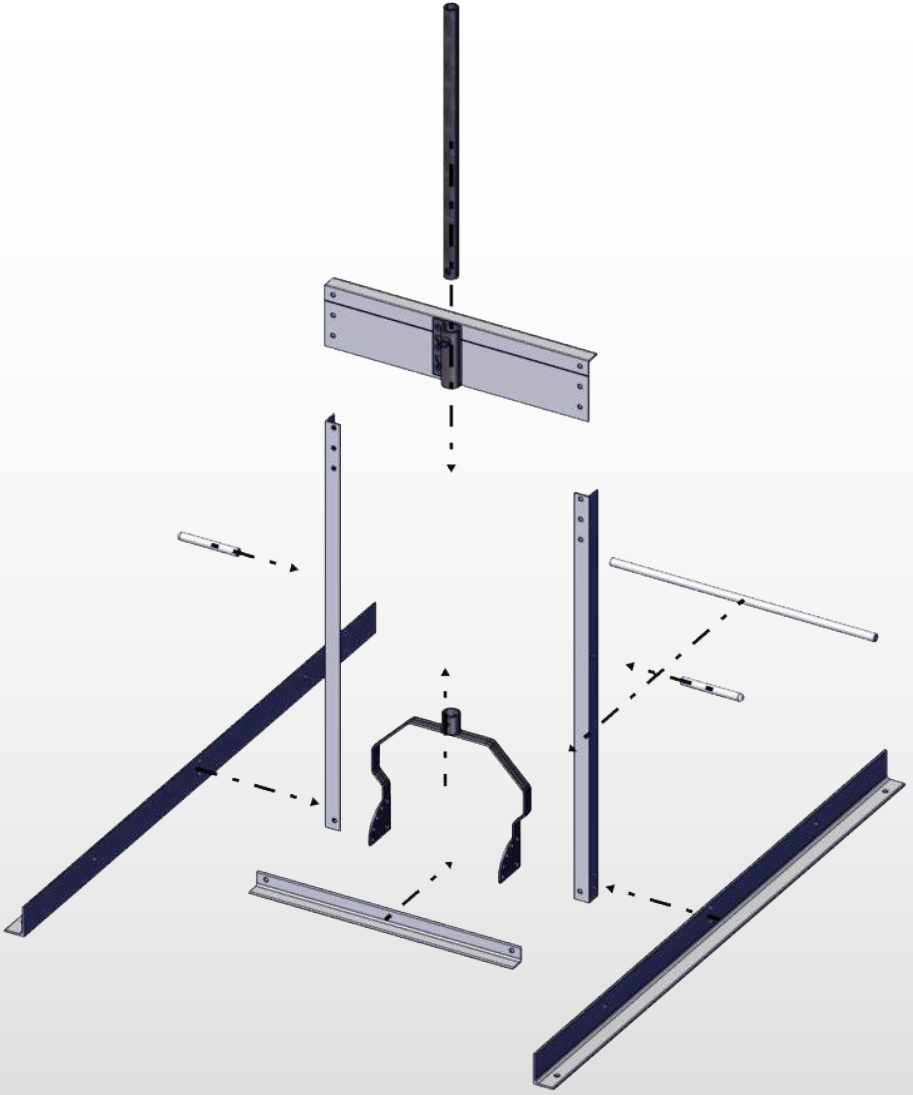
Horizontal Brace comes preassembled to the Pipe Holder using:

QTY	Description
3	1/2-13 X 1 1/4" Bolts
3	1/2" Washers
3	1/2" Lockwasher
3	1/2" Nut

*drawings not to scale

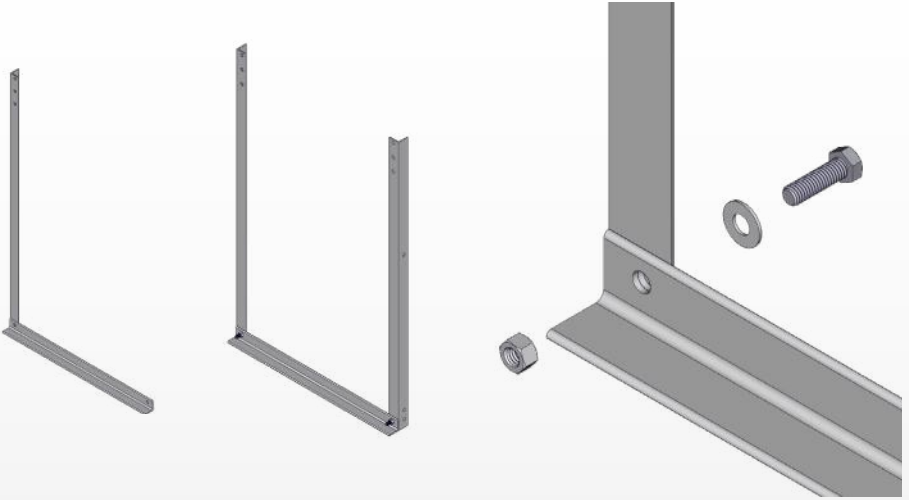
*(2) 9/16 wrenches for assembly (not included)

Frame



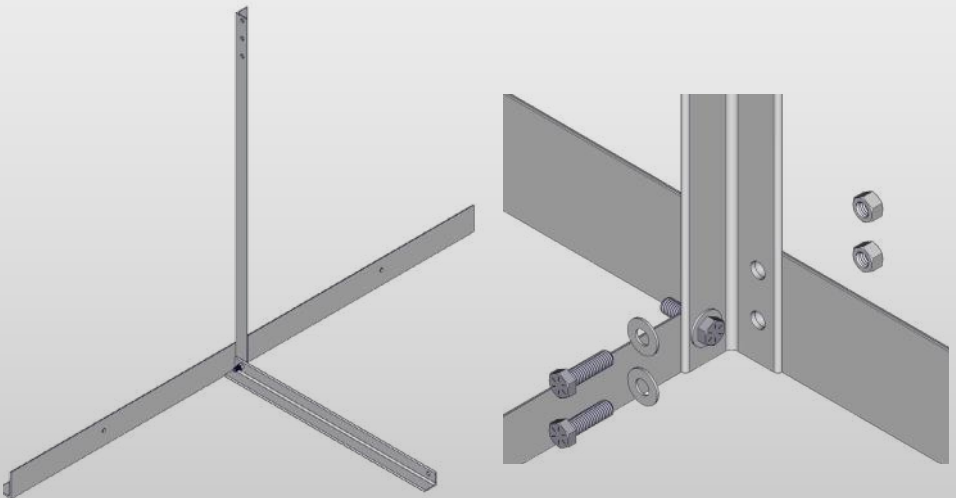
Step One:

Attach the Bottom Horizontal Bar (D) to the Left Vertical Bar (B) and Right Vertical Bar (C) with $\frac{3}{8}$ "-16 x 1" bolts, washers & nuts.



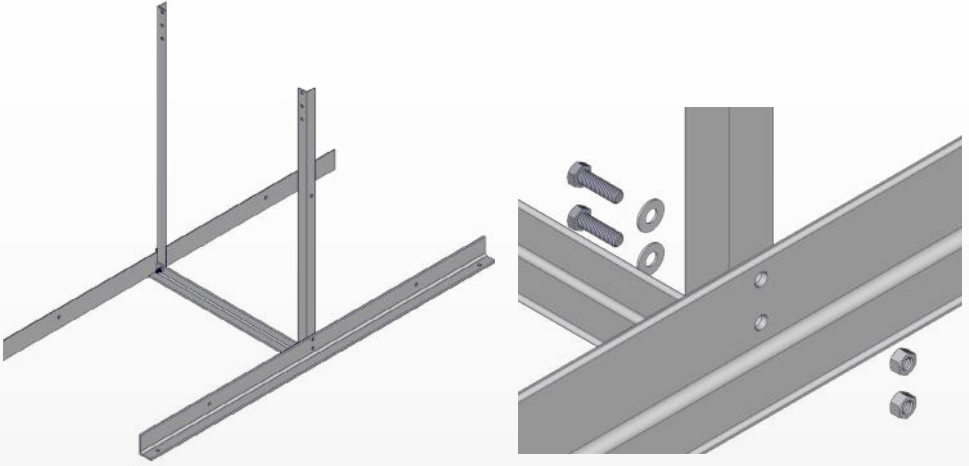
Step Two:

Attach Foot (A) with $\frac{3}{8}$ "-16 x 1" bolts, washers & nuts.



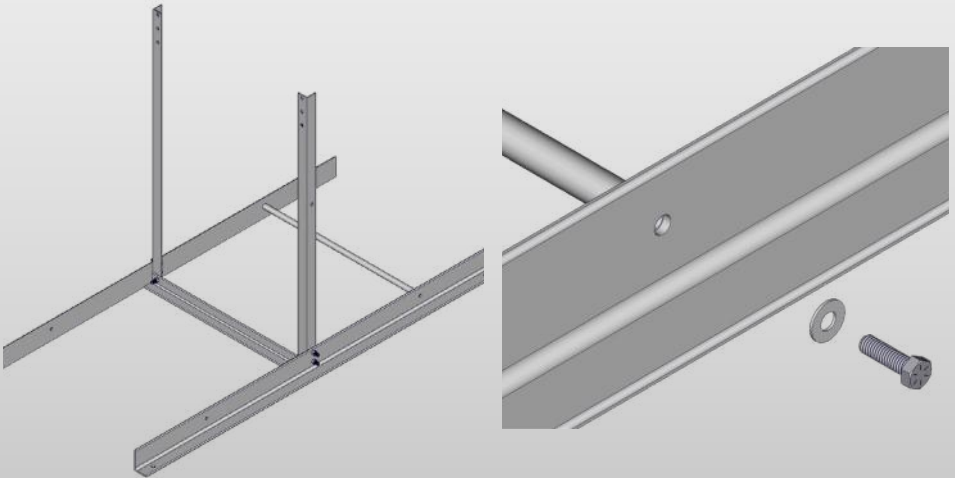
Step Three:

Attach Foot (A) with $\frac{3}{8}$ "-16 x 1" bolts, washers & nuts.



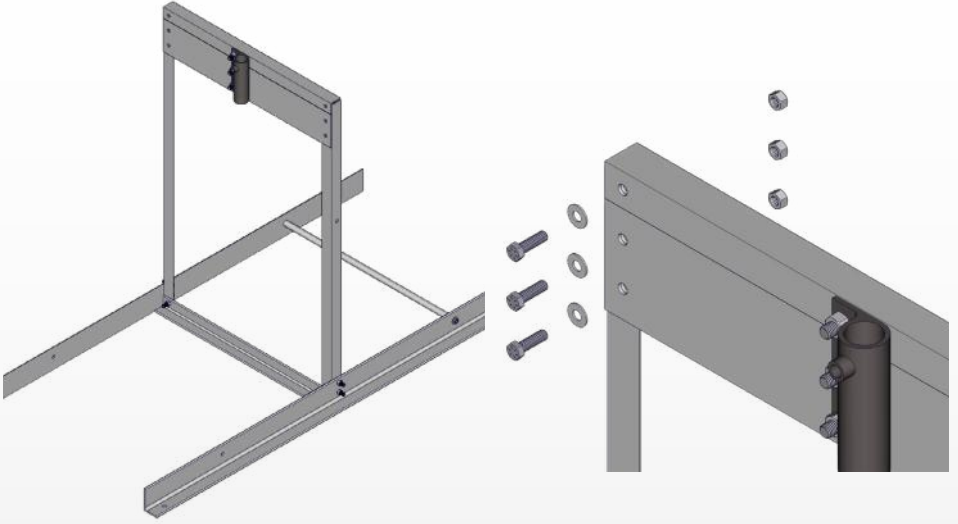
Step Four:

Attach Support Bar (E) to the Left and Right Feet with $\frac{3}{8}$ "-16 x 1" bolts & washers.



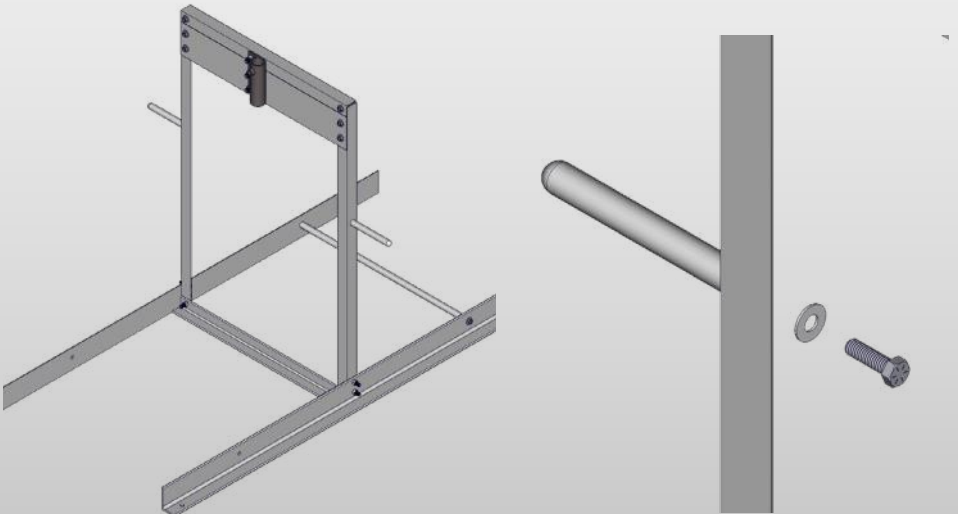
Step Five:

Attach Horizontal Brace (F) to the Left Vertical Bar (B) and Right Vertical Bar (C) with $\frac{3}{8}$ "-16 x 1" bolts, washers & nuts.



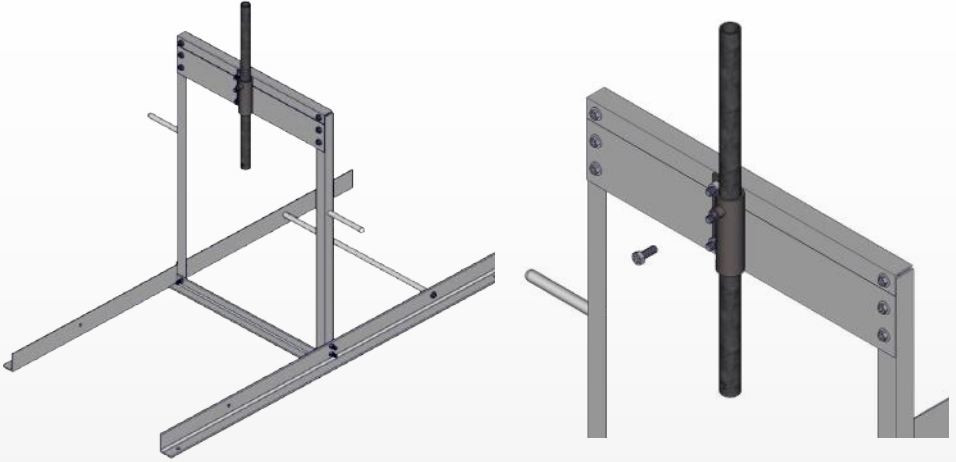
Step Six:

Attach Handles (G) to the Left and Right Vertical Bars with $\frac{3}{8}$ "-16 x 1" bolts & washers.



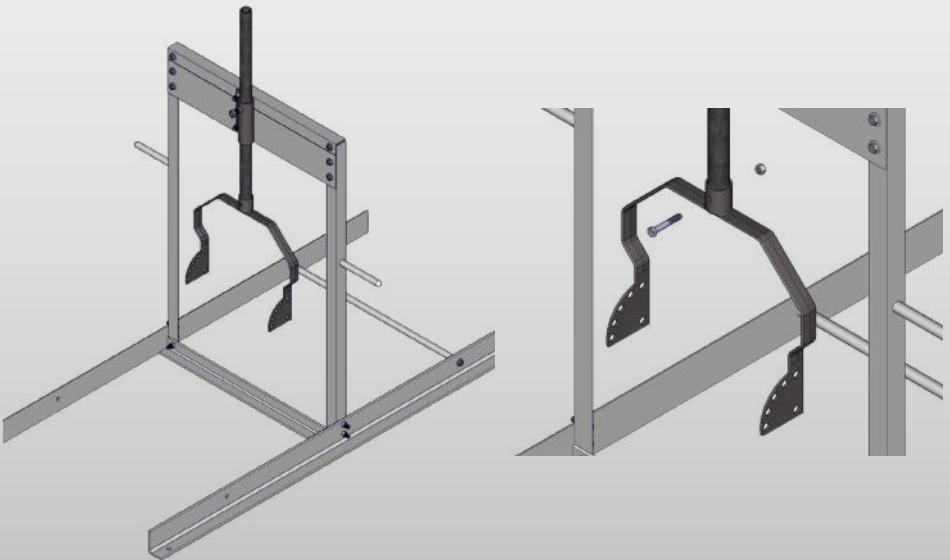
Step Seven:

Slide Pipe (J) into Horizontal Brace (F) and secure with the $\frac{1}{2}$ "-13 x 1 $\frac{1}{4}$ " Bolt.



Step Eight:

- Slide Bail (H) onto pipe (J), aligning the holes.
- Attach Bail (H) into Pipe (J), with a $\frac{3}{8}$ "-16 x 2 $\frac{1}{4}$ " bolt and nut.





BEARON AQUATICS

ICE EATERS | OLYMPUS FOUNTAINS | POWER HOUSE AERATION

WARNING: This product contains lead, a chemical known to the State of California to cause cancer and birth defects or other reproductive harm.

10233 SOUTH DOLFIELD RD • OWINGS MILLS, MARYLAND 21117
410-654-9700 • aquaticsinfo@bearonmfg.com