



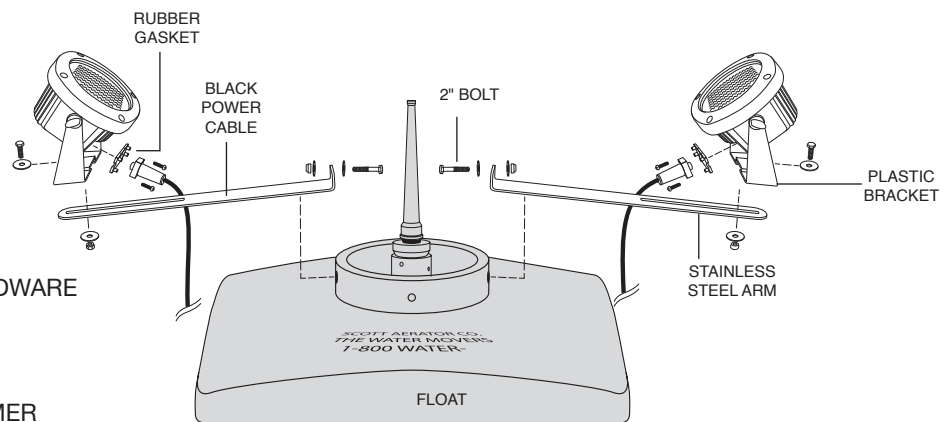
LED Light Kit

For 2 Lights



Assembly Instructions

1. To begin, place the light, lens down, on a flat surface. Slide the 2 blue nuts into the slots on the side of the light.
2. Next, loosely fit the 2 blue knobs into the nuts.
3. Now, slide the plastic bracket onto the knobs and tighten the knobs. Adjust the angle of the light upwards to your desired preference.
4. Attach the bottom of the plastic bracket to the round end of the stainless steel arm. Be sure to orient the arm as shown in the diagram below. Place a washer on top of the plastic bracket, and below the steel arm and sliding the 1" x 5/16" bolt down through the top and securing it with a 5/16" lock nut. The light can be positioned along the arm by loosening the lock nut, sliding the light to the desired position, then re-tightening the nut.
5. Continue by attaching the steel arm to the water feature. Remove one of the two 2" bolts attaching the float to your Scott water feature and align the holes with the stainless steel arm. Reinsert the bolt with washer, outward through the housing, float and stainless steel arm. Secure with washer and nut.
6. Finally, remove the plastic clip from the end of the black power cable. **Attach rubber gasket** and plug it into the back of the light and secure tightly with the included screws. Remove the port cover from the underwater transformer by removing the 2 screws, and transfer the rubber gasket from the port cover to the plug end. Leave any unused ports securely covered to maintain a water-tight seal. Secure plug tightly with the included screws to maintain a water-tight seal.
7. Repeat steps 1 through 6 for second light assembly.



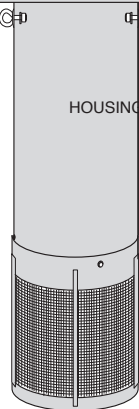
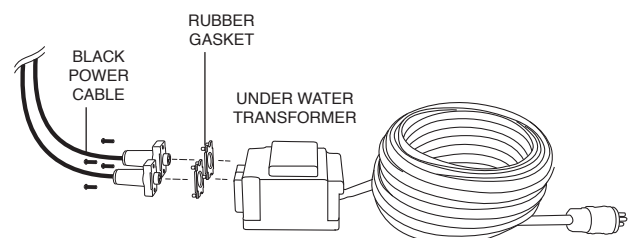
This Kit Includes

- 2 LIGHT ASSEMBLIES W/HARDWARE
- 2 BLACK POWER CABLES
- 2 STAINLESS STEEL ARMS
- 1 UNDER WATER TRANSFORMER
- POWER SUPPLY CORD

Tools Needed

- PHILLIPS STYLE SCREW DRIVER
- TWO 1/2" WRENCHES (OR PLIERS)

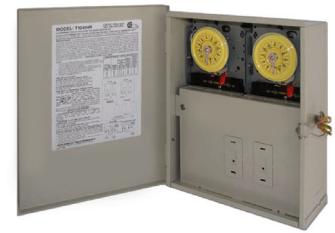
! Always use a GFCI
Always disconnect the power
when swimmers are present





Automate your lighting
Our standard 115v timer is an economical choice for controlling your lighting and can be preset to various on/off positions.

Automate your lighting and fountain
For individual control of both the fountain and lighting, our 115v/230v timing center provides two timers in one.



The Scott Aerator Awesome Warranty

All standard Scott Aerator products are unconditionally warranted for five years against motor defects in materials or workmanship, under normal operating conditions. All other product components are warranted for one year from date of purchase. Scott Aerator will repair or replace failed parts under warranty when the defective unit is returned to the factory, shipping prepaid, and factory inspection establishes that the part was defective. The unit must be returned to the factory prior to shipment of replacement parts. All parts replaced under this warranty will be returned with shipping prepaid. Scott Aerator will not be liable for consequential damage nor for any costs associated with removal or attempts to repair components in the field.



13245 Barry Street, Holland, MI 49424
scottaerator.com
information@scottaerator.com
800-WATER-45 (800-928-3745)
(616) 392-8882

