



BEARON AQUATICS

ICE EATERS | OLYMPUS FOUNTAINS | POWER HOUSE AERATION

Aerating Fountains



- F500F - .5HP Aerating Fountains**
- F1000F - 1HP Aerating Fountains**

Owner's Manual

PLEASE READ ENTIRELY BEFORE OPERATING





BEARON AQUATICS

ICE EATERS | OLYMPUS FOUNTAINS | POWER HOUSE AERATION

Aerating Fountain | Notes





Aerating Fountains | Table of Contents

Safety Instructions	page 4
Specification Sheet	page 5
Installation and Operation Instructions	page 6
Maintenance & Trouble Shooting Tips	page 7
Maintenance Log	page 8
Parts & Accessories	page 9
2-Year Limited Warranty	page 10
Service & Repair Contact Form	page 11
Warranty Registration & Warranty Claim Procedure	page 12



Aerating Fountain | Safety Instructions

WARNING WARNING WARNING

CAUTION SHOULD BE USED WHEN DEALING WITH ANY ELECTRICAL EQUIPMENT WITH MOVING PARTS.

WARNING WARNING WARNING

NEVER LIFT OR DRAG THE UNIT BY THE POWER CORD. USE PROVIDED MOORING LINE TO MOVE THE UNIT AS NECESSARY.

WARNING WARNING WARNING

THIS MOTOR IS PROVIDED WITH A GROUND WIRE OR GROUNDING TYPE PLUG FOR YOUR PROTECTION. THE GROUND WIRE MUST BE SECURELY ATTACHED TO PROPER ELECTRICAL GROUND OR THE GROUNDING TYPE PLUG MUST BE USED ONLY WITH A PROPERLY GROUNDED RECEPTACLE. IN ADDITION, YOU SHALL USE GROUND FAULT INTERRUPTER PROTECTION IN ACCORDANCE WITH THE NATIONAL ELECTRIC CODE. DO NOT UNDER ANY CIRCUMSTANCES CUT OR REMOVE THE GROUND PRONG FROM A GROUNDING TYPE PLUG. ANY REWORK OR DAMAGE TO THIS CORD MAY CREATE SHOCK HAZARD AND WILL VOID THE WARRANTY.

WARNING WARNING WARNING

A QUALIFIED ELECTRICIAN MUST BE CONSULTED TO INSURE A SAFE INSTALLATION.

WARNING WARNING WARNING

UNDER NO CIRCUMSTANCES SHOULD ANYONE ENTER THE WATER WITH THE ELECTRICAL EQUIPMENT CONNECTED AND/OR IN OPERATION. IT IS NEVER RECOMMENDED TO ENTER THE WATER WITH THE EQUIPMENT IN OPERATION.

WARNING WARNING WARNING

WHEN USING AERATOR AND THERMOSTAT TOGETHER, THE AERATOR WILL START AUTOMATICALLY BY AIR TEMPERATURE. ALWAYS DISCONNECT THE AERATOR FROM POWER SOURCE BEFORE ANY SERVICING OR CLEANING OR MOVING OF THE UNIT, BY UNPLUGGING OR BY MOVING FUSE OR DEACTIVATING CIRCUIT BREAKER.

WARNING WARNING WARNING

DO NOT REMOVE END COVER PLATE. REMOVAL OF PLATE WILL VOID WARRANTY. ALL REPAIRS MUST BE MADE AT FACTORY OR AN AUTHORIZED SERVICE STATION.





Aerating Fountains | Specification Sheet

As water flows through the bottom of the shroud and four additional holes, the dual propeller mixes and forces the water above the surface. The high pumping volume degasses the water of nitrogen, carbon dioxide, and hydrogen sulfide while raising dissolved oxygen levels. Degassing gets rid of nutrients which cause algae and weeds, resulting in clearer water and decreased odor. Moving water mixes and agitates the water, spreading oxygenated water throughout the body of water.

COMPLETE PACKAGE

- (1) Assembled Motor
- (1) UV Resistant Float
- (2) 25' Long 3/8" thick Hollow Braided Polypropylene Mooring Lines
- (1) SJTOW Rated 3-Wire, 14 Gauge Power Cable with Potted Quick Disconnect

QUICK FACTS

- Able to Operate in Water as Shallow as 36" (92cm).
- Total Component Listed to meet UL, CE, & CSA Standards for Safety in Water.
- **UL Listing No. E481181**
- **Met Listing No. E112360**
- Energy efficient with excellent Gallons per Minute (GPM)/kW Rates
- High Oxygen Transfer at an affordable price
- **Sacrificial Aluminum Anode and Electrolysis Kit** are available for corrosion protection and use in salt-water applications.
- Industrial Strength Design
- **2-Year Warranty**
- Ships in (2) boxes via UPS & FedEx

WARNING

- Discontinue use and remove from water when water is below freezing temperatures (32°F/0°C)
- Do Not Run the Unit Out of Water
- Ground Fault Circuit Interrupter (GFCI) or Residual Current Device (RCD) protected circuit required.

MOTOR ASSEMBLY

- **F500D: .5 HP; 106 GPM**
- **F1000F: 1HP; 130 GPM**
- Single Phase motors; 3-Phase on 1Hp motors available upon request
- Units available in 115 or 230V.
- 50/60 Hz
- 1,650 Rotations per Minute (RPM)
- Oil Cooled, Continuous Duty Rated
- Two Long Life Bearings
- Thermal Overload Protection
- Fully Utilized Heavy Duty Carbon Ceramic Mechanical Seal
- Series 300 Austenitic Stainless Housing with Magnesium Bronze End-Bell

POWER CABLE

- SJTOW UL & CSA Approved Underwater Rated Cable
- 3 Wire
- 115V available in 50', 100', and 150' with Quick Disconnect Power Cord.
- 230V available in 50', 100', 150', 200', 250', 300', 350', 400' with Quick Disconnect Power Cord.
- Other cord lengths are available through special order but will not have a Quick Disconnect Power Cord.
- Potted Quick Disconnect on 14 Gauge Cord.

FLOAT

- U.V. Resistant High Density Thermoplastic
- Single Piece Float with Closed Cell Foam Filling
- Series 300 Stainless Steel Hardware
- (2) 25' long 3/8" thick hollow braided polypropylene ropes
- Available with a Float Cage Accessory.

POPULAR ACCESSORIES

115V TIMER- Intermatic P1101

- Portable Outdoor 24 Hour Timer available for both 115V and 230V Outdoor grade plastic
- Timer: 24-hour with 23-1/2 hour maximum on time. (2) "ON" & (2) "OFF" trippers – standard.
- Dial will accept up to 12 sets of trippers.
- Electrical Rating: 15 A (1800 W), Resistive or Tungsten
- Agency Approval: CSA/C-US
- Outdoor grade cord with ground plug, 3 wire, 22 inches
- 1 Year Manufacturer's Warranty

230V TIMER - Intermatic T104P

- Electromechanical Time Switch
- Type 3R Plastic Enclosure
- Provides direct 24-Hour control of most loads
- Control electrical loads up to 40 Amps
- 1 to 12 ON/OFF operations each day
- Minimum ON/OFF times of 1 hour
- Manual override
- Equipped with (1) ON and (1) OFF tripper
- 1 Year Manufacturer's Warranty

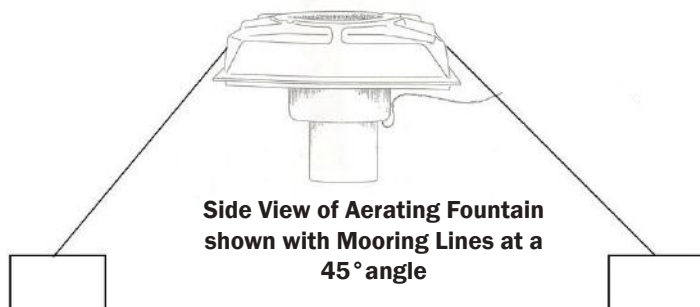
FLOAT CAGE

- Large Float Cage (p/n 24100) 24"W x 24"L x 16"H Fits both F750DP & F1000DP.
- Protect your investment by preventing foreign objects from entering the shroud.
- 1" grid plastic coated, hot rolled metal screen that covers the bottom 5 sides of the float.

Aerating Fountain | Installation & Operation Instructions

INSTALLATION

1. Immediately after delivery, inspect the Aerating Fountain shipment for any visible damages. Report any damage to your dealer.
2. The aerating fountain is completely assembled within the housing. You will not need additional hardware.
3. Install the shrouded motor in the float by following these simple instructions:
 - Turn the shrouded upside down with the propeller end facing downward and place on a flat surface.
 - Pass power cord through the topside of the float (side with "Bearon Aquatics" printed on it).
 - Slide float, Bearon Aquatics name side down, over the shroud. Twist to align slots in the throat of the float with the power cord and mounting bolts.
 - Make sure cord is free and does not loop above the level of the propeller hub.
 - If you are installing optional large screen - connect the screen to the bottom lip of the float using the (16) small white clamps. The sides of the screen will need to be connected by using pliers to close the metal rings.
4. Turn unit to an upright position with the propeller facing up.
5. Fasten one mooring line to a secure place such as a fence post or large cinder block.
6. Drop unit into water and secure the other rope directly across from the first. Adjust your fastening points to position the unit where desired.
7. Make certain that there is adequate water depth (at lowest water level) so that the unit floats freely. Keep unit away from heavy grass or debris.
8. Make sure all hands, feet, cords, lines, etc. are clear of the unit before connecting to power supply.



OPERATION

1. Once your Powe House Aeration unit is properly installed and secured, the surface aerator is ready for immediate use.
2. Your surface aerator is designed for continuous operation.

It can be cycled by the use of a timer, photocell or dissolved oxygen meter. This can help to greatly reduce the amount of energy consumed by the aerator, while still circulating the water.

Contact your local electrician for assistance.
3. Operating equipment should be observed on a regular basis for any reduction or variation in the aerator's performance.
4. Plug the electrical cord into properly grounded GFCI (Ground Fault Circuit Interrupter) or RCD (Residual Current Device) protected circuit.

Plug the electrical cord into a receptacle that matches the unit operating voltage or connect to an appropriate power source. GFI required for each unit.

(It is recommended that an electrician verify your power supply.)

WARNING: When an extension cord is used, it must be sized as follows:

Up to 100ft. - Use #12/3 wire cord
Up to 200ft. - Use #10/3 wire cord
5. Unit will start immediately and can twist slightly upon starting. Make certain that all lines are clear and secure. Water should be forced well above the top lip of the white shroud and should look thick.

WARNING: Do not run out of water. Unit must be submerged. Keep hands clear.
6. Routinely inspect the propeller and shaft for any damage from foreign objects.
7. If using in salt water, routinely inspect the sacrificial anode. Replace parts as necessary.
8. When the unit is used for flow generation in a circular tank or pond, the water will gradually circulate and will continue for some time after the unit is turned off.
9. Small fish can be sucked through the unit under certain operating conditions. Make sure that you have reviewed your stock and any possible damage before you start the unit.
10. Freezing Temperatures can cause the float to crack or split.

WARNING: Discontinue use and remove from water when water is below freezing temperatures (32 °F/0 °C





Aerating Fountains | Maintenance & Trouble Shooting Tips

MAINTENANCE

- Bearon Aquatics' aerating fountain motors are filled and sealed with a special non-toxic dielectric lubricating fluid and does not require additional lubrication.
- When storing your unit, clean it thoroughly and place it propeller side down in a flat, cool place. Storing propeller side down will keep the seals lubricated.
- Heavy weed or plant locations may need to have the screen and prop cleaned occasionally. Before removing or cleaning the unit, unplug or disconnect the unit from the power source. Scrub with a stiff, nylon bristle brush. Cleaners will not damage the unit; however, these products could leave a residue that may damage plants and animals when the unit is put back in service. When using cleaners, thoroughly flush and rinse the unit with fresh, clean water.
- Routinely inspect the propeller, internal brackets, and shaft for the accumulation of weeds, vines or string. Foreign objects can damage the seals, prop and shaft. Keep the shaft and propeller clear of debris. Inspect the brackets and propeller for chips and cracks. Broken or damaged brackets or propeller can be replaced easily in the field with factory parts.
- Inspect the power cord for breaks, nicks, and abrasion. Under normal conditions, the cord will be usable for many years. However, physical abuse and rodent, animal or equipment damage can result in safety hazards such as electrical shock. Replace the cord if there are deep enough cuts in the outer jacket to see the inner conductors. A severe shock could result if the copper wire is showing. Immediately remove the unit from service and replace the cord.
For CE labeled units: If the power supply cord is damaged, the manufacturer or service center must replace it to avoid a hazard.
- Units operated in brackish or salt water must have a sacrificial anode attached to the shaft. The anode must be inspected periodically for deterioration. Operation without the anode could result in metal deterioration and contamination and may void the warranty.
- The motor can only be opened and assembled under special conditions at the factory or authorized service center. Do not attempt to repair the motor. Any tampering or attempted repairs may void the warranty and could result in equipment failure or bodily injury.
WARNING: Do not open the sealed motor unit for any reason
- For optimum operation, return the unit to the factory for a standard service every three to four years, or less for commercial duty usage.

TROUBLE SHOOTING TIPS

- 1. If the aerating fountain does not start when plugged in or turned on:**
 - Check power source to make sure that appropriate voltage is available.
 - Make sure the power cord connections are fully made. Check tightness at both the source end and at the unit.
 - Have an electrician check your installation if the ground-fault circuit interrupter (GFCI) or circuit breaker has tripped or blown a fuse.
 - If the aerating fountain requires a push/spin to start then there is a problem with the Start/Run Capacitor. Discontinue use and have it looked at by an Authorized Service Center.
- 2. If the aerating fountain starts slowly or does not have full flow:**

This can be a symptom of several possible problems. There could be a problem with the electrical or a problem with the aerator's motor.

 - Check power source for voltage drop or undersized service. If several pieces of equipment are operating on the same circuit, restart each piece of equipment individually.
 - Unplug the unit and make sure the propeller turns freely. Turn propeller through several full revolutions. Try to start the unit again.
 - Unplug the unit and make sure there is no debris around the propeller or shaft.
 - Check screen to make sure it is clean. You must remove any accumulation of algae or grass.
 - If you're still unable to diagnose the issue, discontinue use and have it looked at by an Authorized Service Center.
- 3. If the aerating fountain shuts itself off intermittently without tripping the GFCI or Breaker:**
WARNING: Discontinue use immediately if you are noticing these symptoms.
 - Unplug the aerator from the power source and remove the unit from water.
 - The unit may be overheating due to low voltage. Check power source for voltage drop or undersized service.
 - The unit may be overheating due to overload. Inspect the aerator to make sure there aren't any foreign objects around the propeller, shaft, or canister. Each aerating fountain has a thermal overload built in which will turn the unit off when it overheats. Once the unit has cooled down, it will start back up on its own.

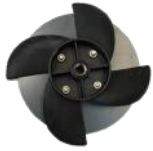


Aerating Fountain | Maintenance Log

PART/ACCESSORY	DATE OF SERVICE (Replacement/Inspection)												
Standard Service Recommended every 3-4 years (includes replacement of bearings, seals capacitor, fluid, & power cord connector)													
Motor Replacement Non-typical													
Propeller Inspect Regularly Replacement varies based on use													
Power Cord Inspect Regularly for nicks, cuts, bite marks, etc. Replace as needed													
Brackets Inspect Regularly for cracks and damage													
Float Cage Optional Accessory to Protect the intake Clean Cage on a regular basis													
Sacrificial Anode (Accessory for Salt or Brackish Water) Varies based on water type and use													
Electrolysis Kit Varies based on water type and use Not applicable to all units. (Replace at the same time as the Sacrificial Anode)													



Aerating Fountains | Parts & Accessories



30000 Prop & Disc - Impeller that fits the F500F & F1000F units



20200 Large Brackets - (set of 4) fits F500F & F1000F
Connects Motor Canister to Shroud



24600 Shackles - (set of 2)
One Size - fits all Ice Eater models
1/4" stainless steel shackles with a 9/64" short arm hex key



34300 Black Mooring Lines - (set of 2)
25' Long x 3/8" thick hollow braided polypropylene ropes



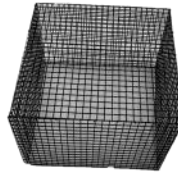
34000 Square Black Float
fits F500F & F1000F
U.V. Resistant High Density Thermoplastic Float with Closed Cell Foam Filling



26050 Down Tube (Float not included) fits F750DP, & F1000DP
23 1/2" shroud extension, which attaches to aerator unit to pull water up from deeper depths



2LED18F Light Ring (Float not included)
2RGB18F fits F500F, & F1000F
115V/230V - No Transformer
(2) 18W Bright White LED Lights



24100 Float Cage
Large - fits F750DP & F1000DP
24"W x 24"L x 16"H
1" grid plastic coated, hot rolled metal screen that covers the bottom 5 sides of the float.



24901 Sacrificial Aluminum Anode
One Size - fits all Surface Aerator models. Allen wrench included.
Protects against corrosion and electrolysis
For use in salt water



26000 Electrolysis Kit
One Size - fits all Ice Eater models
Additional protection against corrosion and electrolysis in areas of high salinity, high electrical current and/or warm waters



26100 P1101 Timer - for 115V Aerator
This grounded plug-in timer utilizes an outdoor rated raintight flip-open enclosure.
(2) On and (2) Off settings make this a perfect timer to control your unit and keep your costs low.



26200 T104P Timer - for 230V units
This heavy-duty timer stands the test of time while providing the highest horsepower ratings in the industry for industrial, commercial, and residential applications.



Aerating Fountain | 2-year Warranty

Bearon Aquatics warrants this Power House Aeration surface aerator/aerating fountain to be free from defects in material and workmanship under normal use and service, but does not include in said warranty any defect or failures of the sacrificial anode, ropes, power cord, propeller, brackets or failure due to mishandling, misuse, improper installation, or improper electrical supply.

In areas of high salinity, high electrical current, and/or warm temperatures, a Bearon Aquatics electrolysis kit must be mounted to the stainless steel can.

Bearon Aquatics will replace free of charge any defective part covered by this warranty within two (2) years from the date of manufacture.

This warranty applies only to the original purchaser.

THIS WARRANTY IS IN LIEU OF ANY OTHER WARRANTY, EXPRESS OR IMPLIED, INCLUDING BUT NOT LIMITED TO, ANY IMPLIED WARRANTY OF MERCHANTABILITY OR FITNESS FOR A PARTICULAR PURPOSE AND ANY OTHER OBLIGATION OR LIABILITY WHATSOEVER ON THE PART OF Bearon Aquatics, AND IN NO EVENT SHALL Bearon Aquatics, LLC BE LIABLE FOR INCIDENTAL OR CONSEQUENTIAL DAMAGES.

Some states do not allow the exclusion or limitation of incidental or consequential damages, so the above limitations or exclusions may not apply to you. This warranty gives you specific legal rights and you may also have other rights which vary from state to state.

THIS WARRANTY WILL BE VOIDED IF ANY OF THE FOLLOWING OCCURS:

- The unit is damaged by unauthorized tampering or repairs
- If the sacrificial anode around the propeller shaft and/or Stainless Steel can shows significant deterioration. Failure to inspect and replace the anode constitutes misuse and will void the warranty.
- The unit is not stored properly.
- The unit is run out of the water.
- Improperly sized extension cord or circuit is used.
- The propeller shows signs of excessive or unusual wear and tear

All units must be brought to the attention of **Bearon Aquatics, 10233 S. Dolfield Rd., Owings Mills, MD 21117.**

All returned must be shipped freight prepaid to the above address. There are no warranties beyond those contained herein and no person is authorized to give any other warranties or to assume the liabilities on the part Bearon Aquatics.

An evaluation fee of \$36.00 will be charged when a unit is returned for repair and found to be in working condition.

Register your Power House Aeration unit today at www.bearonaquatics.com

All warranty, service, and repair inquiries should be directed to Bearon Aquatics at 800.243.4741 or info@bearonmfg.com





Aerating Fountains | Service & Repair Contact Form

In order to keep the units running in excellent condition, Aerating Fountains & Surface Aerators should be serviced every 3-4 years and Ice Eaters should be serviced every 4-5 years.

- Bearon Aquatics requires all service and repairs sent in must be accompanied by this form and marked **“Attn: Service Center”**
- Service and repairs returned **should include the motor assembly and power cord** when possible.
- It is the responsibility of the customer to ship and pay freight to either Bearon Aquatics. or an authorized service center. We accept shipments from Fed Ex, UPS, and USPS. Our address is **10233 S. Dolfield Rd, Owings Mills MD 21117** Or you can find an Authorized Service Center at **bearonaquatics.com**
- Bearon Aquatics is not responsible for damage accrued in return shipment.
- Please be sure to properly pack the unit with appropriately sized box, packing peanuts/bubble wrap etc.
- Unless otherwise instructed, you do not need to ship the float or control panel with the unit.
- Refer to the **Instruction and Operations Manual** or the frequently asked questions section of our website at **bearonaquatics.com** for easy-to-follow troubleshooting tips.

Below contact information should be for the primary decision maker.

Date: _____

Company: _____

Name: _____

Address: _____

City: _____ **State:** _____ **Zip Code:** _____

Phone Number: _____ **Alternate Phone Number:** _____

Email Address: _____

Preferred method of contact: (circle one) **Phone** - **E-Mail**

Type of Equipment: (circle one) **Ice Eater** - **Power House Aeration** - **Olympus Fountain**

Describe issue with equipment:



Aerating Fountain | Warranty Registration

Date of Purchase: _____

Place of Purchase/Distributor: _____

WARRANTY CLAIM PROCEDURE


1. Contact Bearon Aquatics, at the earliest possible opportunity, either via email (service@bearonmfg.com) or by telephone (800.243.4741), with the following minimum information:
 - Model
 - Serial Number
 - Date of Purchase
2. Register your Aerator online at www.bearonaquatics.com
3. To assist us in swift processing of the claim, we require the claimant's help to understand the environment in which the aerator was installed and operated. Photo images are appreciated and may be requested by Bearon Aquatics. Regardless of the issue, a detailed description of the problem, when and how it is occurring is always required.
4. Please completely fill out and include the **Service Center Contact Form** with the unit (found inside the Owner's Manual or download from www.bearonaquatics.com).
Note: Where damage is alleged to be caused during delivery to the customer the incident must be reported in writing within 3 days after delivery.
5. Properly pack the aerator with appropriately sized box, packing materials (peanuts, bubble wrap, etc.)
Note: Only complete motor assemblies will be accepted for warranty repair. The power cord and all other components must be returned with the motor as originally assembled. Some parts are essential in order to properly diagnose potential causes of failure.
6. Ship to: **Attn: Service Center, Bearon Aquatics, 10233 S Dolfield Rd, Owings Mills, MD 21117**
(Any shipping method for the return of the unit to Bearon Aquatics or an authorized service center is at the customer's expense.)
7. Once the aerator has been evaluated, Bearon Aquatics will contact the customer in order to discuss cause of failure, possible corrections needed, timeline of repair, etc.
8. Bearon Aquatics reserves the right to rectify by means of repair, exchange or replacement at our own discretion. The decision for method of rectification will take place after evaluation of the product.
9. Bearon Aquatics will return units repaired under warranty at Bearon Aquatics.'s expense via ground freight within the continental United States.

Register your Power House Aeration unit today at www.bearonaquatics.com

All warranty, service, and repair inquiries should be directed to Bearon Mfg. LLC at 800.243.4741 or info@bearonmfg.com



Bearon Aquatics is a branch of Bearon Manufacturing, LLC.

 **PROP 65 WARNING:** Crude oil, gasoline, diesel fuel and other petroleum products can expose you to chemicals including toluene and benzene, which are known to the State of California to cause cancer and birth defects or other reproductive harm. These exposures can occur in and around oil fields, refineries, chemical plants, transport and storage operations such as pipelines, marine terminals, tank trucks and other facilities & equipment. For more information go to: www.P65Warnings.ca.gov/petroleum.