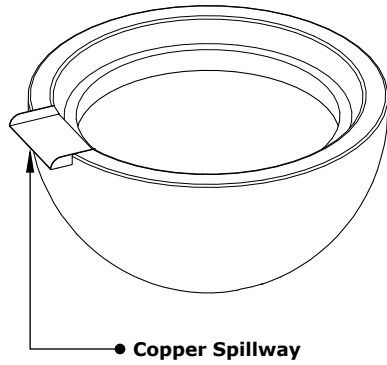


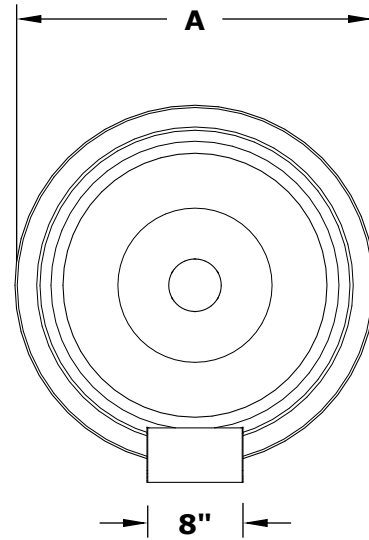
LUNA PLANTER & WATER BOWL

GFRC CONCRETE

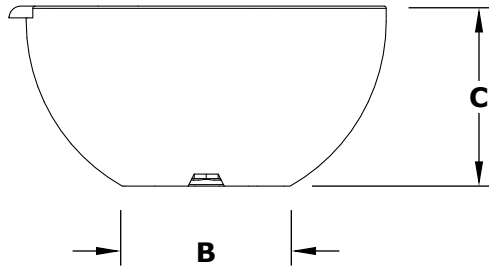


● Copper Spillway

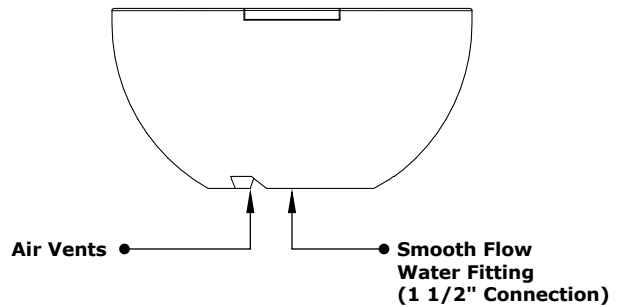
ISOMETRIC VIEW



TOP VIEW



RIGHT SIDE VIEW



FRONT SIDE VIEW

PART NUMBER	A	B	C	GPM
OPT-LUNPW30	30"	14"	15"	7-10
OPT-LUNPW38	38"	20"	16"	7-10

Bowl Material: GFRC Concrete

Includes: Copper Spillway and Water Fitting Connection

