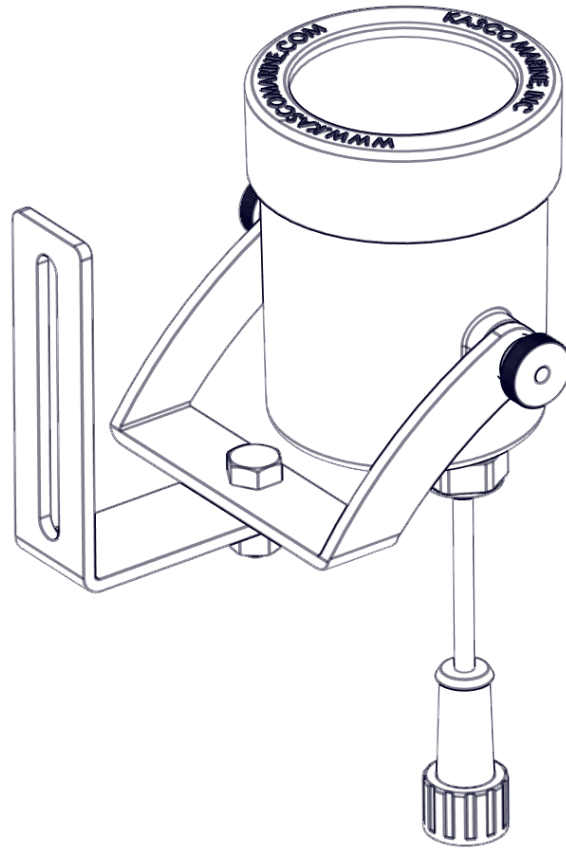




MOVING WATER FORWARD, SINCE 1968

# LED4C11 Universal Composite WaterGlow Lighting



## Operation & Maintenance Manual

Document number 884014  
Document version 2021.2.0

800 Deere Rd. Prescott, WI 54021 | 715.262.4488 | sales@kascomarine.com | kascomarine.com

# TABLE OF CONTENTS

Safety First.....	2
Parts Included .....	3
Universal Mounting Instructions .....	4
Maintenance Recommendations.....	7
Troubleshooting Tips.....	7
Warranty .....	9
Repair .....	9
Non-Warranty Repairs .....	10
Repair Contact Form .....	11

## QUESTIONS?



715.262.4488



[kascomarine.com](http://kascomarine.com) | [sales@kascomarine.com](mailto:sales@kascomarine.com)

# SAFETY FIRST

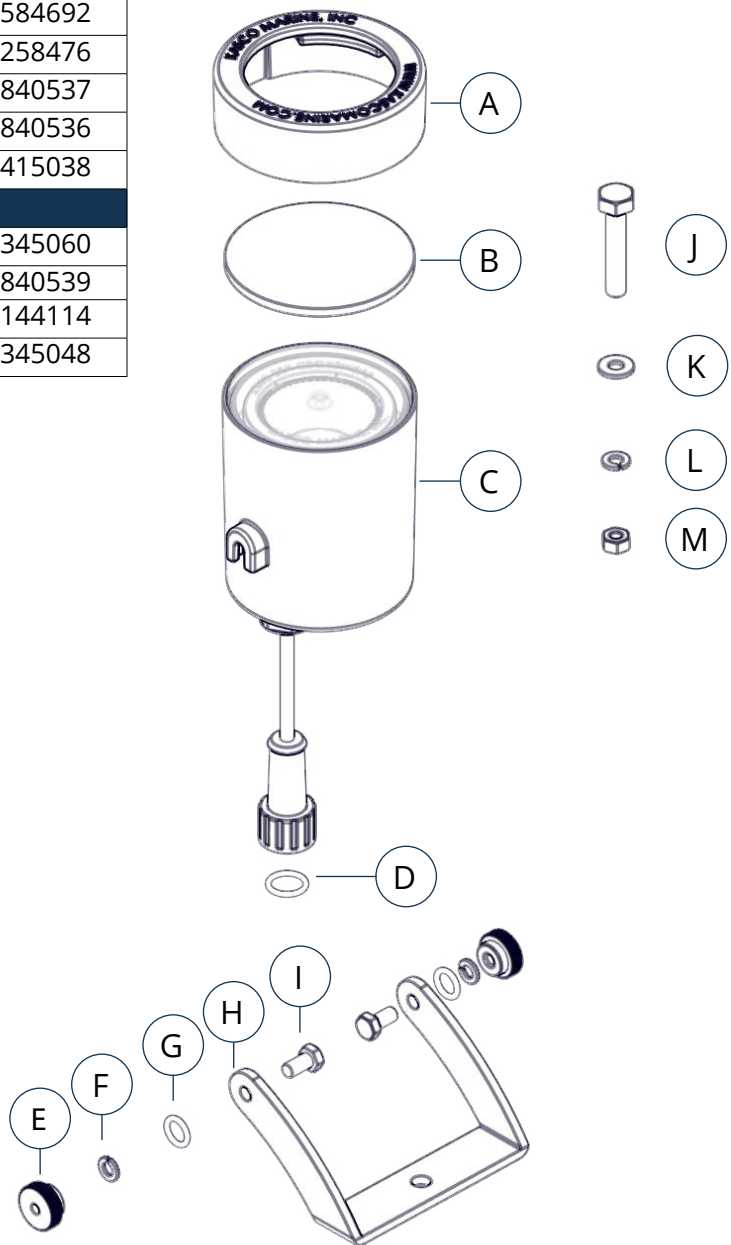
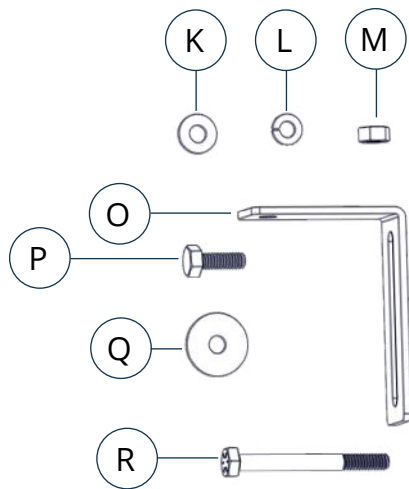
Please read and follow these important instructions to help ensure your safety and the quality performance of your Kasco equipment.

- LEDC11 kit is 120Vac and MUST be plugged into a GFCI protected receptacle or GFCI protected field terminal connections.
- LEDC11 fixtures MUST be properly submerged (approximately halfway) to avoid overheating; **insufficient submersion or operation out of water will damage fixtures and void warranty.**
- Use caution when dealing with any electrical and/or moving equipment.
- **Under NO CIRCUMSTANCES should anyone enter the water with the electrical equipment plugged in and/or in operation.**
- Kasco WaterGlow lighting kits are intended for use with a Listed control panel having a GFCI protected receptacle, or field wiring terminals and disconnect switch, or a timer with a disconnect for use with a GFCI receptacle. They are intended to be mounted on a floating fountain or aerator for use in a natural or man-made body of water to comply with NEC Article 682.
- Kasco WaterGlow lighting kits have not been evaluated for use in swimming pools, spas or stationary fountains.
- Use extreme caution around water, especially cold water, as in spring, fall, and winter, which poses a hazard in and of itself.
- NEVER lift or drag the equipment by the power cords. If you need to pull the unit to the side of the pond, use the anchoring ropes.
- Do not use boats that tip easily for lighting kit installation and follow all boating safety rules and regulations, including wearing a PFD (Personal Flotation Device). Do not use waders in deep ponds/lakes or ponds/lakes with drop-offs, drastic slopes, or soft bottom material.
- For more information regarding your control panel instructions, refer to your equipment owner's manual. A control panel must be installed a minimum of 5 feet (3m in Canada) from the body of water unless separated from the body of water by a fence, wall, or other permanent barrier that will make the unit inaccessible to persons in the water. A complete list of control panels can be found in the Accessories section of [kascomarine.com](http://kascomarine.com).
- **Warning:** When using the universal mounting bracket assembly, ensure the WaterGlow fixtures are mounted properly to provide cooling of the fixture. Typically, the bottom half of the fixture should be submerged. Recheck the fixture elevation with the fountain/aerator in operation. Assembly to your fountain/aerator float will be as illustrated on the next page. Make adjustment to the fixture elevation to ensure the fixture is properly submerged when the fountain/aerator is in operation.
- Many fountain/aerator floats will drop lower in the water when running.

# PARTS INCLUDED

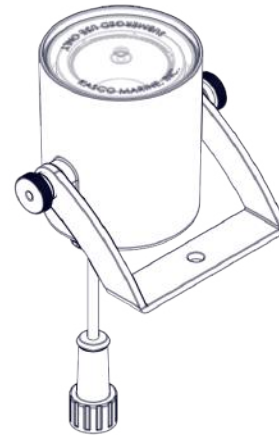
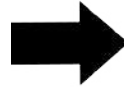
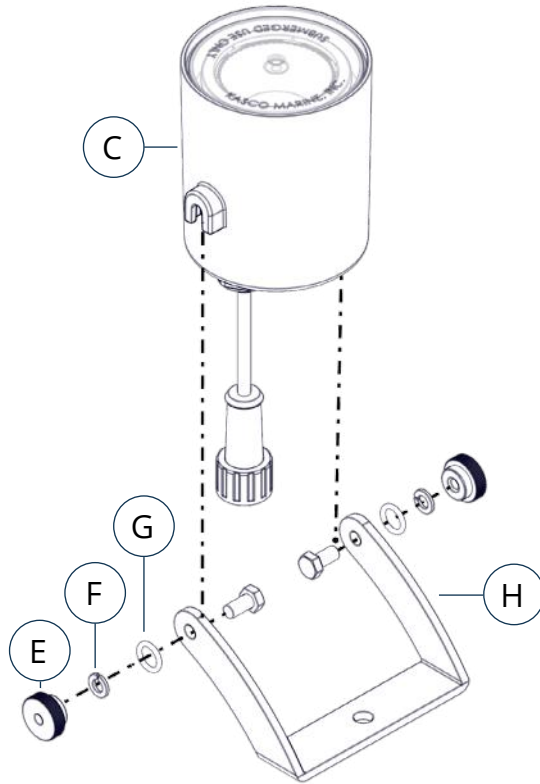
ID	Description	Qty	Part No.
A	Lens cap	4	345551
B	Colored lens kit (4 colors)	1	345559
C	LEDC11 fixture	4	345500
D	Cord connector O-ring	4	345035
E	10-32 thumb nut	8	345043
F	#10 split lock washer	8	771037
G	Bracket O-ring	8	345008
H	Composite light bracket	4	345007
I	10-32 x 1/2" hex screw	8	345042
J	1/4"-20 x 1-3/8" hex screw	4	584692
K	1/4", 5/8 O.D. flat washer	4	258476
L	1/4"-20 split lock washer	12	840537
M	1/4"-20 nut	8	840536
N	Cable tie (not shown)	8	415038
Universal Mounting Hardware			
O	Universal mounting bracket	4	345060
P	1/4"-20 x 3/4" hex screw	4	840539
Q	1/4" fender washer	4	144114
R	1/4"-20 x 2-1/2" hex screw	4	345048

## Universal Mounting Hardware



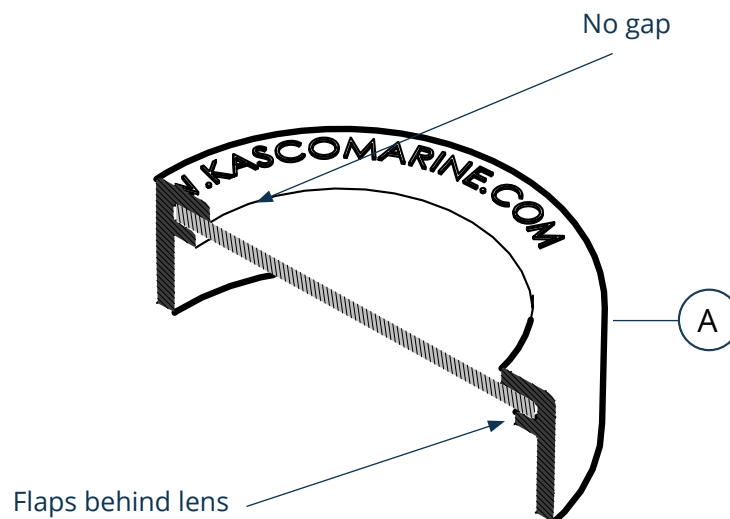
# UNIVERSAL MOUNTING INSTRUCTIONS

1. Attach the bracket (H) to the light fixture (C) by fitting the head of the 10-32 x 1/2" hex screw (I) into the tabs on each side of the fixture. Place one bracket O-ring (G), one #10 lock washer (F), and one thumb nut (E) on each #10 screw outside the bracket. Tighten the thumb screws on each side hand tight only. Repeat this step for all fixtures.



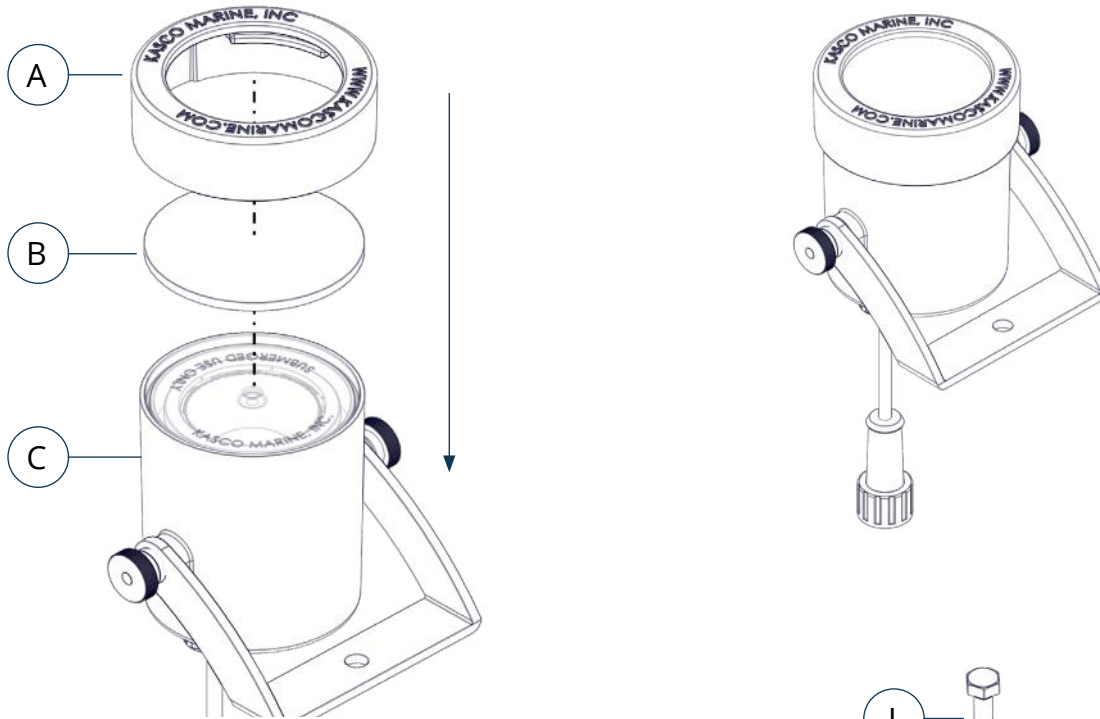
**NOTE** Determine whether the Universal mount bracket works better in a horizontal or vertical configuration for your application (see page 6) before attaching the composite light bracket to the fixture. Some configurations require the composite light bracket to be flipped from what is pictured here.

2. (Optional) If you want to use one of the color choices instead of the standard soft white light, peel the protective lining from both sides of the colored lens (B) of your choice. Place the lens inside the lens cap (A) making sure the 3 flaps are holding the lens in place. Repeat this step for all lens caps. Continue to Step 3.

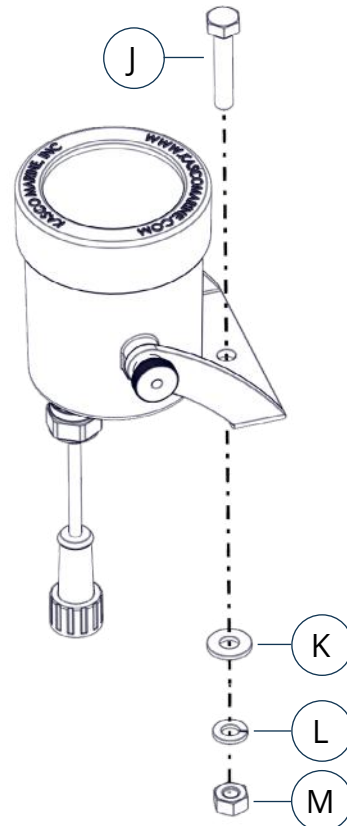


# UNIVERSAL MOUNTING INSTRUCTIONS (CONT.)

- (Optional) Place lens caps over the light fixture (C) as shown. Ensure the cap is seated all the way down onto the fixture housing, as shown. Make sure the fixture and lens are clean before installing the lens cap. Repeat for all fixtures.



- Assemble parts J, K, L, and M as shown to secure the fixture to the float and tighten until secure.
  - 7/16" socket and wrench required.



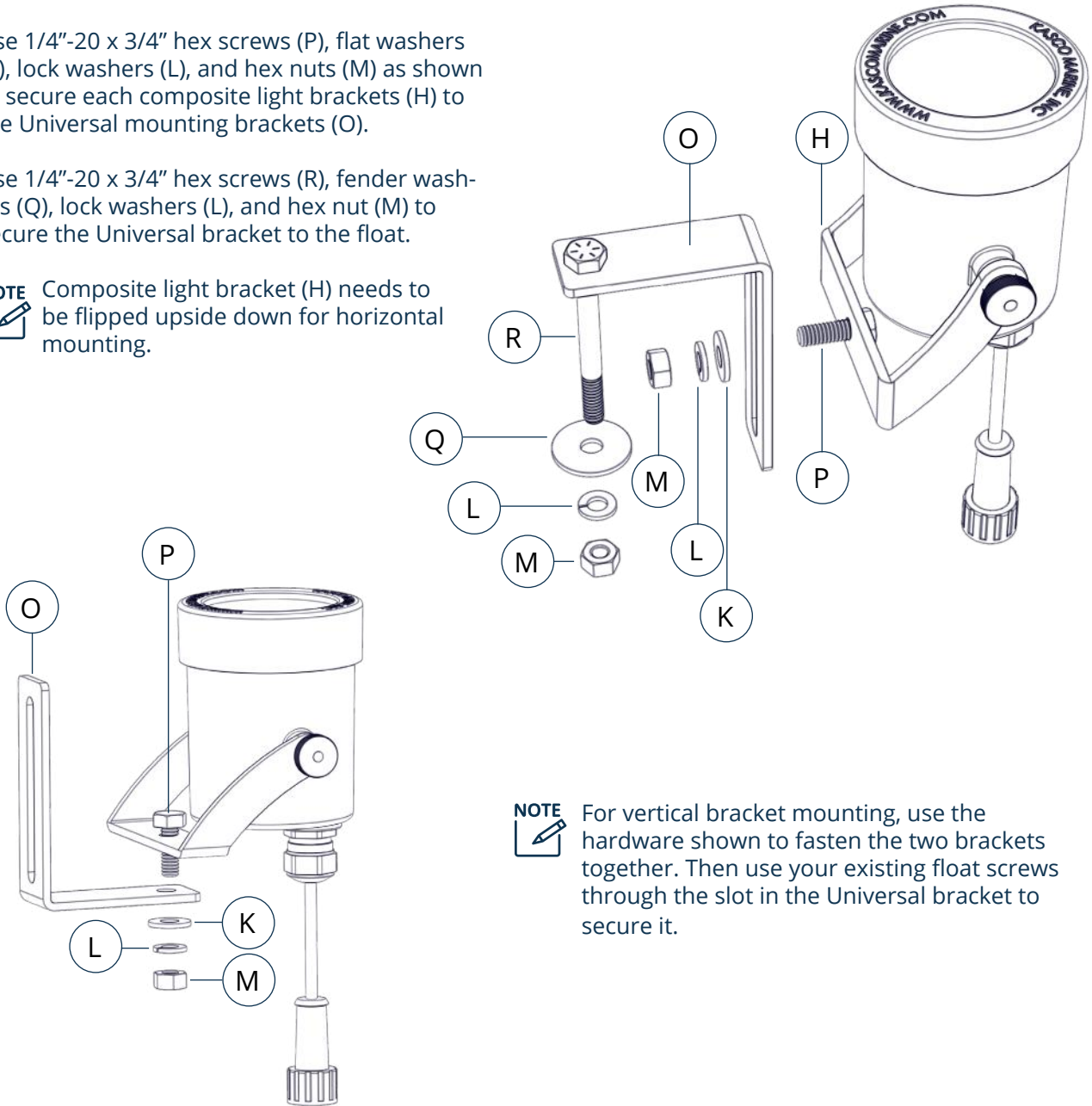
# UNIVERSAL MOUNTING INSTRUCTIONS (CONT.)

Hardware is provided for basic installation. Check your installation to ensure you have the correct hardware. Additional hardware may be included, or you may need to purchase it if your installation varies from the diagrams below.

5. Use 1/4"-20 x 3/4" hex screws (P), flat washers (K), lock washers (L), and hex nuts (M) as shown to secure each composite light brackets (H) to the Universal mounting brackets (O).

Use 1/4"-20 x 3/4" hex screws (R), fender washers (Q), lock washers (L), and hex nut (M) to secure the Universal bracket to the float.

**NOTE** Composite light bracket (H) needs to be flipped upside down for horizontal mounting.



6. Repeat for remaining fixtures, spacing evenly around the float. Adjust the angle of the lights using thumb nuts if desired, being sure to use the same angle for all fixtures. Cable ties can be used to attach the fixture cords to float, decrease play, and ensure protection. Cable-tie the light kit power cord to the float opposite the fountain power cord for balance and to prevent damage from the fountain. **Remember: LEDC11 fixtures MUST be properly submerged (approximately halfway) to avoid overheating.**

# MAINTENANCE RECOMMENDATIONS

Under NO CIRCUMSTANCE should anyone enter the water while a fountain is operating.

The following maintenance procedures can be utilized to ensure many years of quality performance from your Kasco fountain and light kit and reduce the need for more costly repair work. Note that the LED fixtures are sealed and do not require any maintenance other than cleaning. Do not attempt to open light fixtures, as this will void the warranty.

## Proper Installation

Installation of the LED light fixtures on aerating fountain units with the mounting brackets oriented as shown will ensure proper submersion of the light fixtures. Each fixture must be partially submerged in order for lights to operate properly. Other applications for these fixtures must provide at least the same submersion to properly cool the fixture. **Operating the fixtures out of water will damage the LED and void warranty.** Proper installation of Kasco equipment will include a power source with ground fault protection. A complete list of control panels can be found in the Accessories section of [kascomarine.com](http://kascomarine.com).

## Observation

Operating equipment should be observed on a regular basis (daily, if possible) for any reduction or variation in performance. If a change in performance is observed, the equipment should be disconnected from power and inspected.

## Winter Storage

In regions where there is significant freezing in the wintertime, the light kit should be removed from the water to protect it from the expansion pressure of ice. Storage over winter is best in a location that is out of the sun and cool, but above 32 °F.

## Cleaning

Light kits should be removed from the water at least once per year (at the end of the season in cold climates) to clean the exterior of the system. The light fixture surfaces dissipate heat into the water, and any algae, calcium, or other build-up will become an insulator that blocks heat transfer and may lead to overheating and damage. Keeping the lenses clean will also ensure the brightest light possible.

# TROUBLESHOOTING TIPS

The following is provided to help diagnose a probable source of trouble. It is a guideline only and may not show all causes for all problems. For additional troubleshooting help, contact your local distributor or visit [kascomarine.com](http://kascomarine.com) for additional guidance. Note: you may need to refer to your owner's manual that was provided with your fountain for additional control panel settings and adjustments.

### *"My light kit is installed and wired but will not turn on."*

Ensure control panel is connected to the electrical circuit. Verify circuit breakers, timers, and/or interlock switches are turned on and functional. Refer to your owner's manual that was provided with the fountain.

It may not be dark enough for the photo eye on the control panel to activate.

- Kasco C-25, C-85, and C-95 control panels have a photo eye on the left side of the enclosure exterior. This photo eye measures ambient light. To activate, the photo eye must not measure any ambient light for at least several minutes. Covering the photo eye with black electrical tape will activate the photo eye for testing.



# TROUBLESHOOTING TIPS (CONT.)

- C-25 control panel: The C-25 timer must be turned on (fountain operating) to allow the light circuit to energize.
- C-85, or C-95 control panel with GFCI outlet and photo eye control: The fountain timer must be turned on (fountain operating) to allow the light circuit to energize. While the photo eye is covered, the GFCI outlet can be reset if tripped.

The timer may not be set properly.

- C-85, or C-95 control panel (and all 3phase fountain control panels) with terminal connections and timer control for light kit: The control panel has a second timer for controlling the lights (no photo eye). Ensure the light timer is set to operate the lights. The timer has a built-in Hand-Off-Auto switch. Ensure the switch is set properly. Ensure the fountain is turned on. The light timer will not energize the light kit unless the fountain circuit is energized.

The GFCI may be tripped.

- C-25 control panel: Reset the GFCI. If the GFCI does not reset it could be a ground fault in the fountain wiring, or the light kit wiring. Unplug both the fountain and light kit and reset the GFCI. If it resets, plug fountain then light kit back in and see which one trips the GFCI. If the GFCI does not reset with both unplugged, then the GFCI may be defective.
- C-85, or C-95 control panel with GFCI outlet and photo eye control: To reset the GFCI outlet the fountain timer must be turned on, and the photo eye must be activated. (Black electrical tape can be wrapped around the photo eye to activate it.) Once these are on, the GFCI reset button can be pressed. (Unplug the light kit prior.) Plug the light kit in and see if it operates. If the GFCI trips again then the light kit may be damaged. If the GFCI does not reset (with light kit unplugged) then it may be defective, or the photo eye is not activated to send power to the outlet.
- C-85, or C-95 control panel with terminal connections and timer control for light kit: For panels with a GFCB (ground fault circuit breaker) and timer-controlled lights, simply reset the two-pole breaker. This will turn the fountain and light kit back on if the timers are set to on. If it trips again, disconnect the light kit from the terminals and reset. **WARNING!** You must turn off power to the panel before disconnecting any wiring from the terminals. If the breaker trips with the light kit disconnected, then disconnect the fountain as well and reset. If the breaker continues to trip it may be a defective GFCB. If the breaker resets, then reconnect the fountain then the light kit to see which one trips the GFCB.
- 3phase fountain control panels: 3phase fountain panels have a ground fault sensing module that will trip if either the light kit or fountain has a ground fault. To reset the module, simply press the reset button in the panel. This will turn the fountain and light kit back on if the timers are set to on. If it trips again, disconnect the light kit from the terminals and reset. **WARNING!** You must turn off power to the panel before disconnecting any wiring from the terminals. If the GFI module trips with the light kit disconnected, then disconnect the fountain as well and reset. If the GFI module continues to trip it may be a defective module or an internal wiring issue with the panel. If the module resets, then reconnect the fountain then the light kit to see which one trips the module.

*"My lights work, but they are not as bright as they were when first installed."*

Dirty lenses may be to blame.

- Turn off power to the control panel and disconnect power cords to the fountain and the light kit. Bring the fountain to the shore and inspect the light kit lenses. Over time, algae growth and hard water deposits on the lenses can block light output. Clean the lenses with a soft brush and the light should be bright again.

# WARRANTY

## Warranty Policy

Warranty period: LED4C11 = 2 year Limited Warranty. Kasco® Marine, Inc. warrants this light kit to be free from defects in material or workmanship under normal use and service. The Kasco Marine, Inc. obligation under this warranty is limited to replacing or repairing free of charge any defective part within the warranty period from the date of shipment. Customer shall pay shipping charges for returning the unit to Kasco.

THIS WARRANTY IS IN LIEU OF ANY OTHER WARRANTIES, EXPRESSED OR IMPLIED, AND ANY OTHER OBLIGATION OR LIABILITY WHATEVER ON THE PART OF KASCO MARINE, INC. AND IN NO EVENT SHALL KASCO MARINE, INC. BE LIABLE FOR ANY SPECIAL OR CONSEQUENTIAL DAMAGES.

Warranty is void if:


- The light kit is not maintained properly according to the Maintenance Recommendations supplied in this Manual.
- The lights, control box, or power cord are altered in any way from original shipment. Cuts in the power cord are not covered under warranty.
- The light kit is damaged by unauthorized tampering.

## Warranty Claim Procedure

The best method for establishing warranty period is by keeping your original receipt and registering the equipment online at [kascomarine.com](http://kascomarine.com) under the Warranty Information section.

Once warranty coverage has been established, the light kit may be sent to Kasco or any Kasco Authorized Repair Center for evaluation and repair.

# REPAIR

**NOTE**  The LED light fixtures are sealed and do not require any physical maintenance other than cleaning.

Any required repairs must be performed by Kasco. Any alterations or changes made to Kasco units by an unauthorized source will void the warranty. This includes tampering with the unit, power cord, and/or control box.

A physical Kasco Repair Form must be included with any equipment sent to Kasco or an Authorized Repair Center. This form can be found under the Support section of [kascomarine.com](http://kascomarine.com). If no Repair Form is available, include your name and physical address for return delivery of the repaired light kit and a daytime phone number and/or e-mail address for correspondence regarding the warranty claim.

Visually inspect the power cord for any cuts, rodent chews, etc. to determine if it should be included in the repair shipment. The cord may be needed by the shop to diagnose the failure.

Once warranty coverage has been established, the equipment may be sent to any Kasco Authorized Repair Center or to Kasco at the address listed on the repair form.

# NON-WARRANTY REPAIRS

Most failed equipment can be repaired at substantially lower costs than replacement with new. If your light kit requires repair and is no longer covered under warranty, please contact Kasco or your local distributor for available options. Please ship according to the instructions above.

- Kasco does estimates on repairs at the request of the customer. The request for estimate should be included in the letter that accompanies the returned unit and must include a daytime phone number and/or e-mail address. We will contact the customer with a total after the unit has been evaluated, but before the work is performed.
- All estimates that are rejected for repair will be destroyed unless otherwise directed by the customer. Rejected equipment can be returned at the customer's expense for shipping and handling charges.

## Billing:

All non-warranty repairs will be returned and billed to the customer unless otherwise directed. Kasco accepts Visa and MasterCard credit card payments. Kasco will call for credit card information upon completion of the estimate at the customer's request.

Please see the Support section of [kascomarine.com](http://kascomarine.com) for more information about warranty and repairs. Contact Kasco at the number above or [sales@kascomarine.com](mailto:sales@kascomarine.com) for additional information and your closest Authorized Repair Center.

## CONTACT US



Kasco Marine  
800 Deere Road  
Prescott, WI 54021



715.262.4488



[kascomarine.com](http://kascomarine.com) | [sales@kascomarine.com](mailto:sales@kascomarine.com)

# REPAIR CONTACT FORM

- Kasco requires that all equipment sent for repair MUST be accompanied by this form and marked to Repairs attention.
- Unit should be cleaned before shipping.
- Kasco is NOT responsible for shipping damage accrued in return shipment.
- It is the responsibility of the customer to ship and pay freight to Kasco.

Kasco Marine  
800 Deere Road  
Prescott, WI 54021  
Attn: Repairs

Note: Contact information should be that of the person or company to contact for repair information.

Company name			
Contact name	First name	Last name	
Address	Street		
	City		
	State		
	ZIP code		
Phone number	Primary	Alternate	
Email address			
Preferred method of contact (circle one)	Phone	Email	
Purchase order number			
Additional product information	Serial Number	Cord Length	
<b>Information for Repair Technician</b>			
Was this unit used in a chemical treatment or wastewater application? (circle one)	Yes	No	
Additional notes			