



Supplemental installation instructions for WaterGlow LED4125 / LED4C11: 4 fixture LED light kit with universal mounting brackets. Important - Read Carefully Before Installation

Important: Read and follow all Warnings, Safety, and assembly instructions located in your WaterGlow LED light kit owner's manual. (You can also download the instruction at www.kascomarine.com)

General instructions:

INSPECT THE SHIPMENT

Immediately inspect this shipment for any visible damages. Also cross reference the "Parts Included" section to check for part shortages. Shortages should be reported immediately to your Kasco Marine distributor or representative and damages reported to your carrier and Kasco Marine.

Parts Included: universal mounting bracket parts (included with LED4125, LED4C11 light kits):

1. 1/4" Stainless Steel Nut (8)
2. 1/4" Stainless Steel Lock Washer (12)
3. 1/4" Stainless Steel Flat Washer (4)
4. Universal mounting bracket (4)
5. 1/4" x 3/4" Stainless Steel bolt (4)
6. 1/4" Stainless Steel Fender Washer (4)
7. 1/4" x 2-1/2" Stainless Steel bolt (4)
8. 1/4" x 1-3/8" Stainless Steel bolt (4)

Assembly:

Warning: When using the universal mounting bracket assembly, ensure the WaterGlow fixtures are mounted properly to provide cooling of the fixture. Typically, **the bottom half of the fixture should be submerged**. Recheck the fixture elevation with the fountain/aerator in operation.

Follow all basic assembly instructions included in the WaterGlow owner's manual. For this 4 fixture light kit you will repeat fixture assembly for 4 fixtures instead of 3 fixtures. Assembly to your fountain/aerator float will be as illustrated on the next page. Make adjustment to the

fixture elevation to ensure the fixture is properly submerged when the fountain/aerator is in operation. Note: Many fountain/aerator floats will drop lower in the water when running

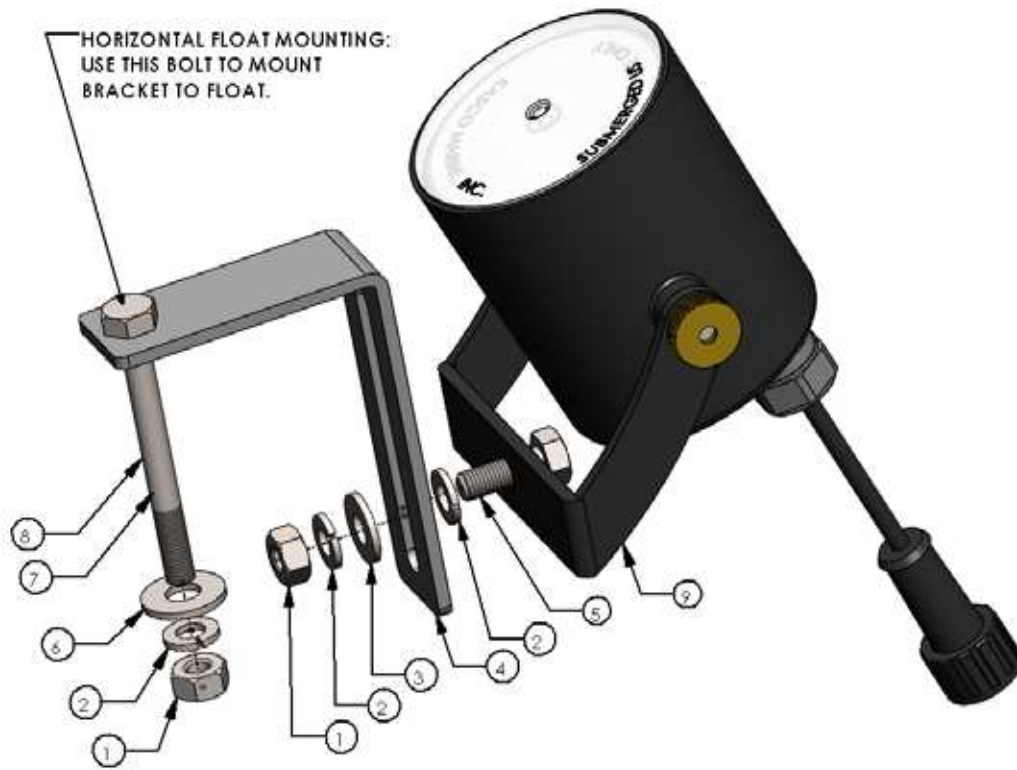
Note: Hardware is provided for basic installation. Check your installation to ensure you have the correct hardware. You may need to purchase additional hardware if your installation varies from the diagrams below. For vertical bracket mounting use your existing float screws for mounting the universal bracket.

Mounting option images on next page:

Kasco Marine, Inc.
800 Deere Rd.
Prescott, WI 54021
PH (715) 262-4488
www.kascomarine.com

Rev. 06/15/16
#884014

Option 1: Horizontal bracket mounting (to float): Note bracket (9) needs to be flipped upside down.



Option 2: Vertical bracket mounting (to float):

VERTICAL FLOAT MOUNTING:
USE THIS SLOT TO MOUNT
BRACKET TO FLOAT. AND TO
ADJUST FIXTURE ELEVATION
IN THE WATER.

