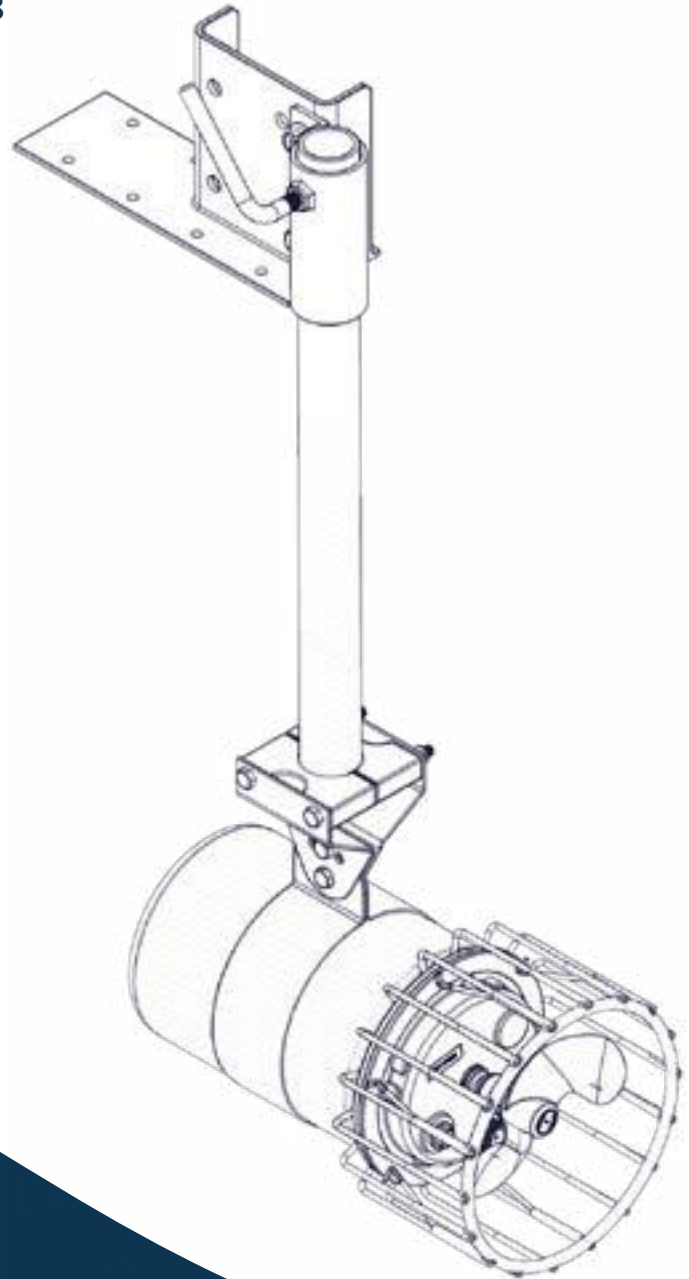




MOVING WATER FORWARD, SINCE 1968

INDUSTRIAL MOUNT

Kit 243484



Assembly Manual



3020379
us ANSI/UL 778: 2016
Ed.6+R:22Feb2017
Intertek CSA C22.2 #108: 2014 Ed.5

Document version 2023.1.0

800 Deere Rd. Prescott, WI 54021 | 715.262.4488 | sales@kascomarine.com | kascomarine.com

TABLE OF CONTENTS

Suggested Tools & Supplies	1
Parts Included	2
Mounting Options.....	3
Mount Assembly Instructions	4
Adjustments and Storage	8

SUGGESTED TOOLS & SUPPLIES

- 1.5" (schedule 40 minimum) galvanized or stainless steel (1.9" outer diameter) pipe. Max 10' long. NOT INCLUDED.
- Eight 5/16" lag screws or bolts for mounting base (optional U-Bolt Kit available: P/N 997108K)
- 3/4" wrench
- 3/4" socket wrench
- 9/16" socket wrench
- 9/16" wrench



Installation may require the help of another person.

Installation may vary; the user is to supply the appropriate hardware to secure the mounting bracket to the dock or piling. Kasco suggests stainless steel.

QUESTIONS?



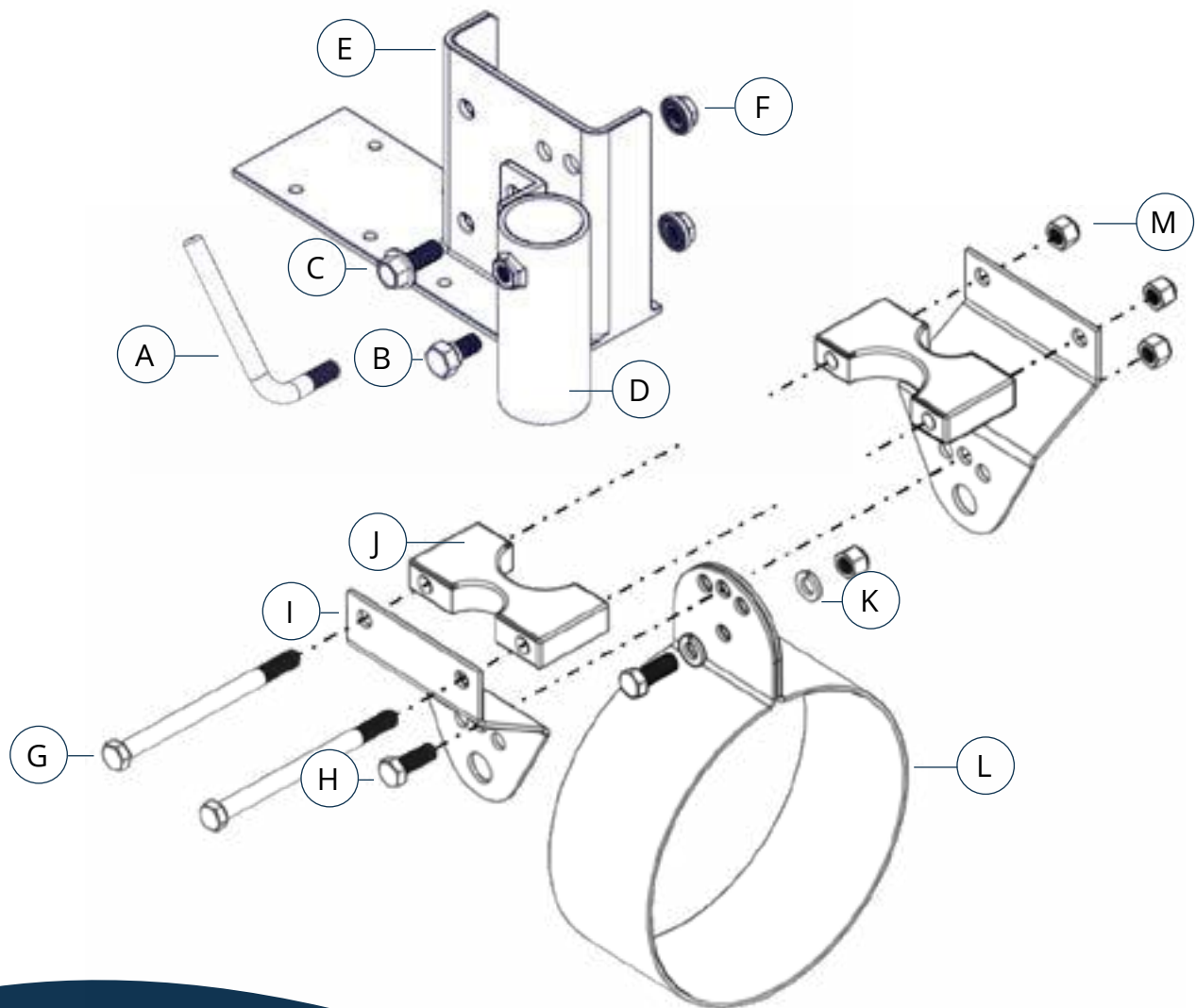
715.262.4488



kascomarine.com | sales@kascomarine.com

PARTS INCLUDED

ID	Description	Qty	Part No.
A	Lock handle	1	997170
B	Shoulder bolt	1	451114
C	1/2"-13 x 1-1/4" serrated flange screw	1	840531
D	Pipe bracket, 1.5"	1	997117
E	Base	1	997102
F	1/2"-13 serrated flange nut	2	840530
G	3/8"-16 x 5" hex bolt	2	840140
H	3/8"-16 x 1" hex screw	2	566250
I	Industrial strut plate	2	997176
J	Collar block	2	997172
K	3/8" split lock washer	2	566230
L	Can strap	1	997174
M	3/8"-16 nylon lock nut	4	462214
N	Grease packet (not pictured)	1	341300

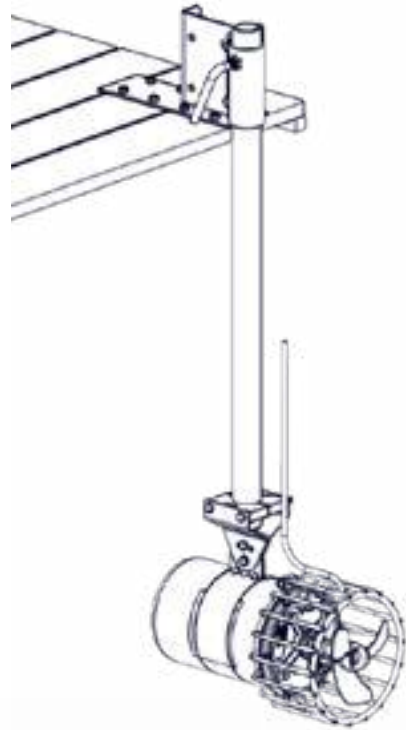


MOUNTING OPTIONS

Pier Mount



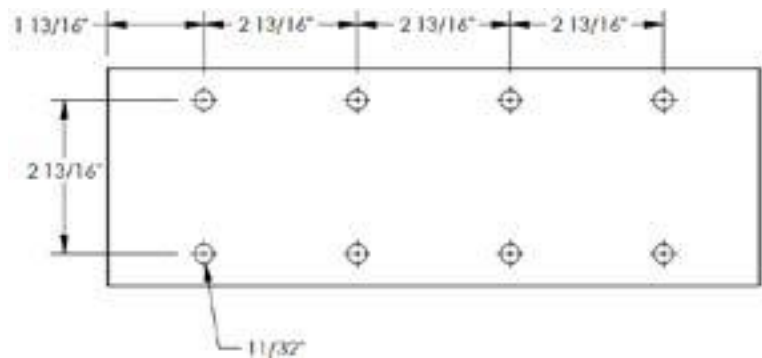
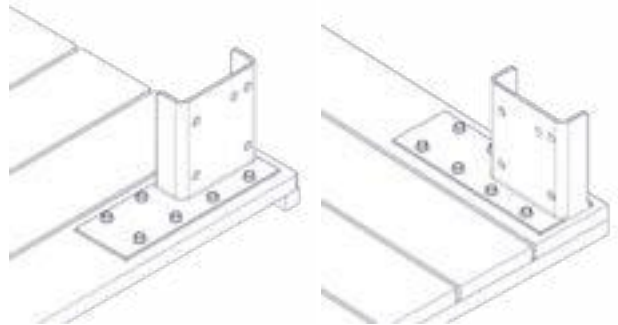
Dock Mount



Pipe Mount



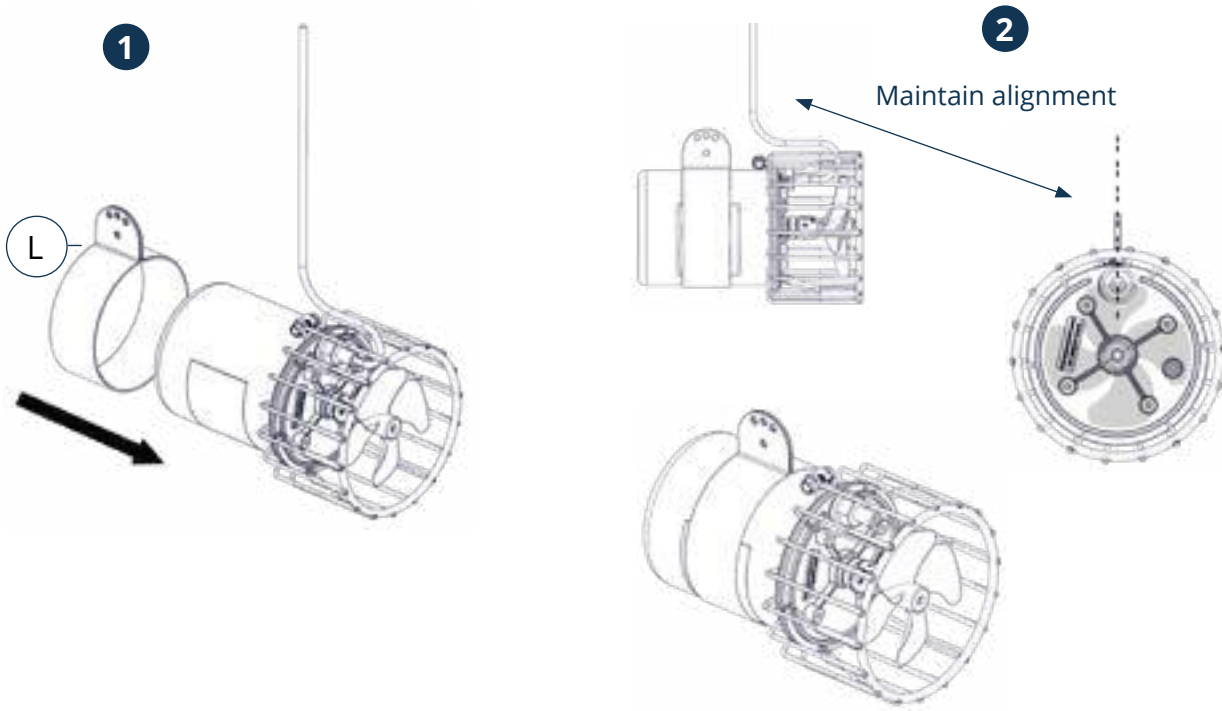
Shown with U-bolt kit PN 997108K (sold separately, two kits required for 2HP units)



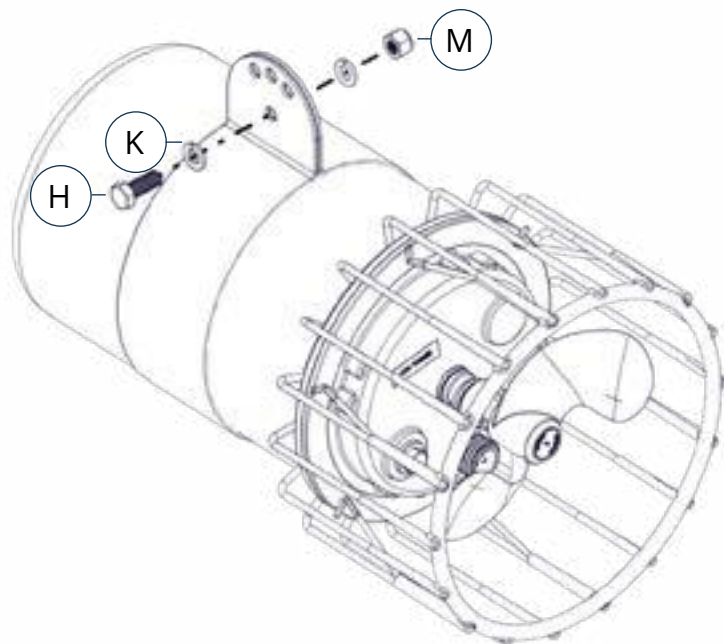
Base (E) hole location dimensions

MOUNT ASSEMBLY INSTRUCTIONS

1. Slide the can strap (L) into position on the unit as shown below.
2. Position with a 2" distance from unit cage, ensuring the cord is in line with the can strap flanges.

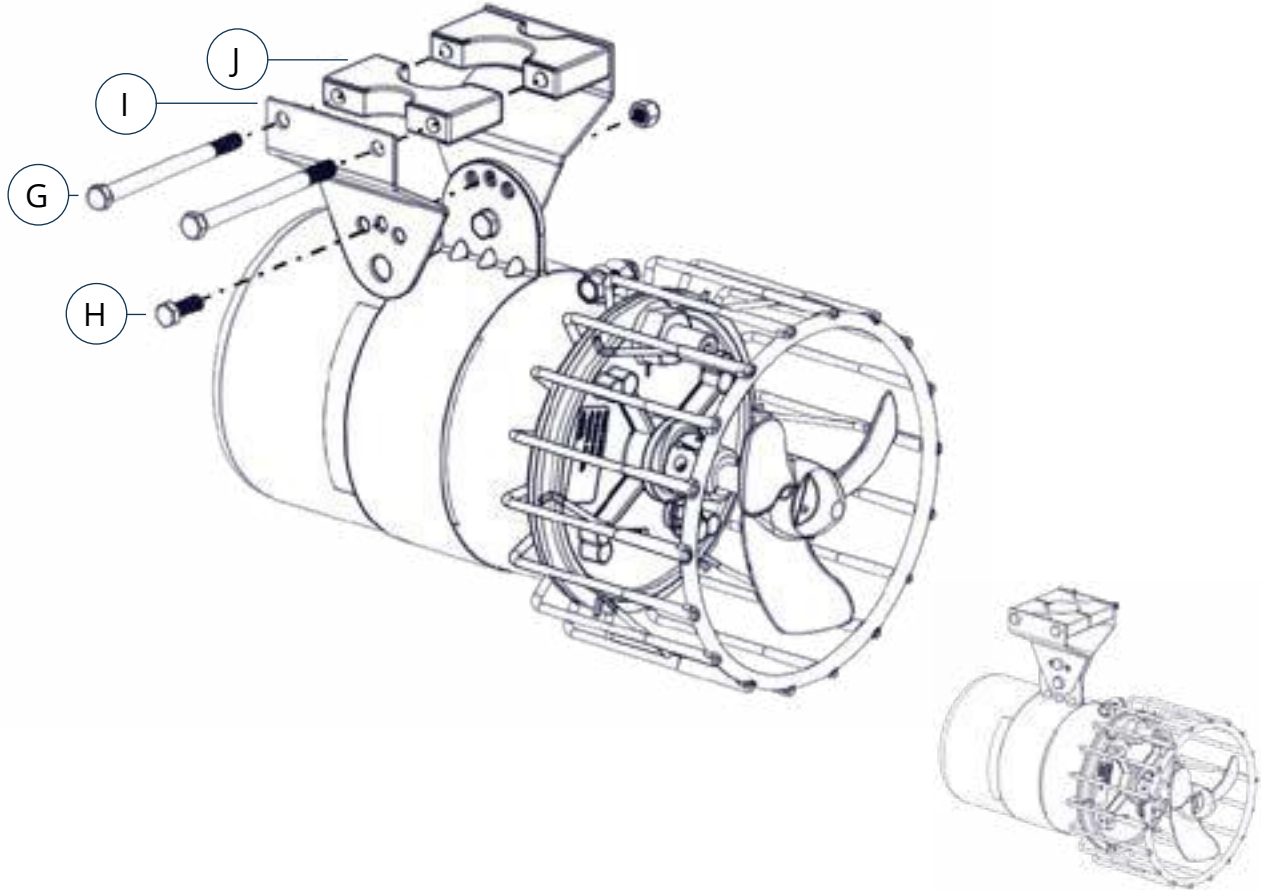


3. Secure the can strap using a 3/8" x 1" hex screw (H), two 3/8" split-lock washers (K), and a 3/8" nylon lock nut (M).

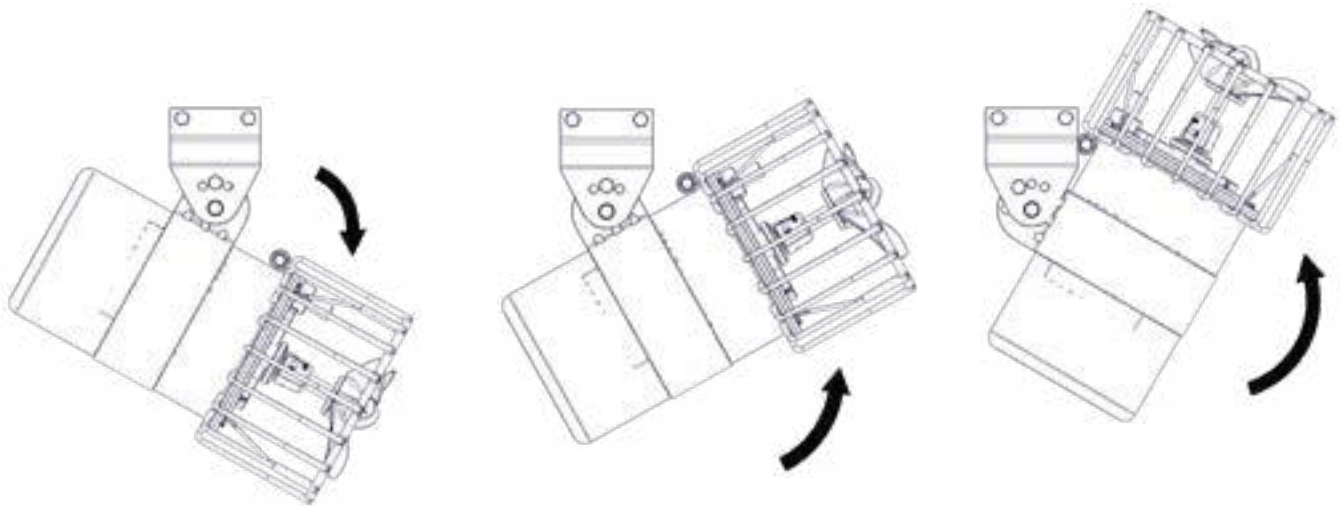


MOUNT ASSEMBLY INSTRUCTIONS (CONT.)

- Using both strut plates (I) on either side of the can strap flanges, sandwich the collar blocks (J) together with two 3/8"-16 x 5" hex bolts (G), being sure that the largest hole is formed for the pipe. Secure the struts to the can strap by tightening the 3/8"-16 x 1" hex bolts (H) and 3/8"-16 nylon lock nut (M).

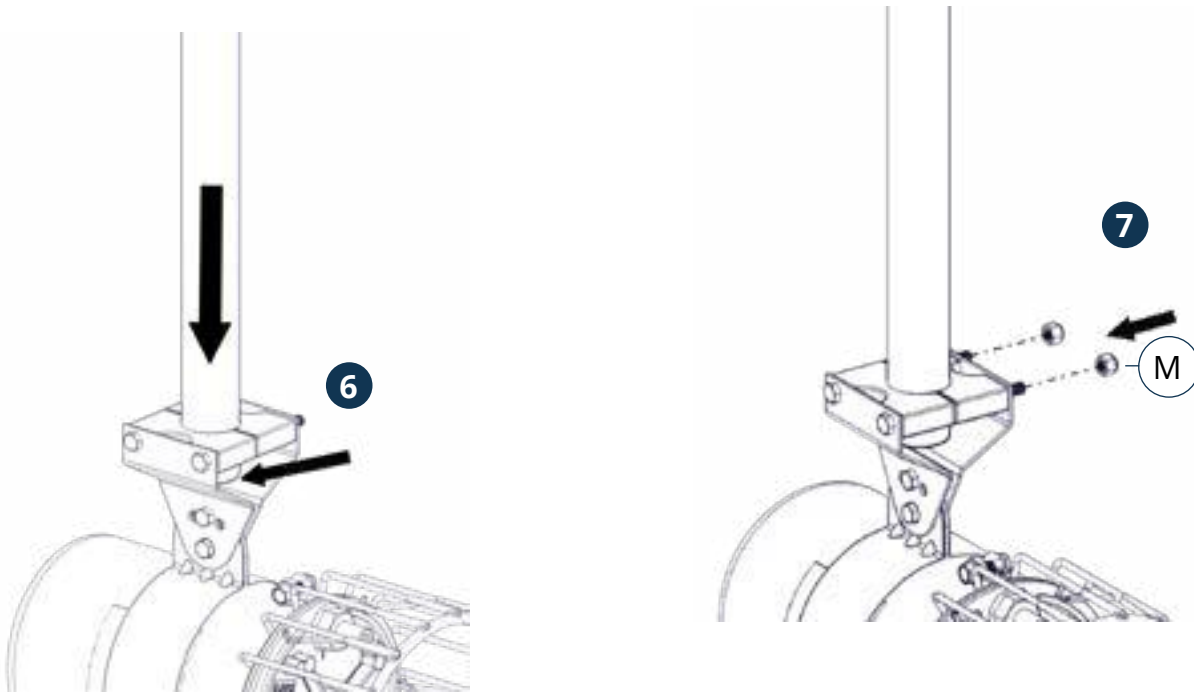


- Multiple positions for mounting the unit are possible; after assembly of the mount, it may be necessary to adjust the unit to the most ideal orientation. A few examples are shown below.

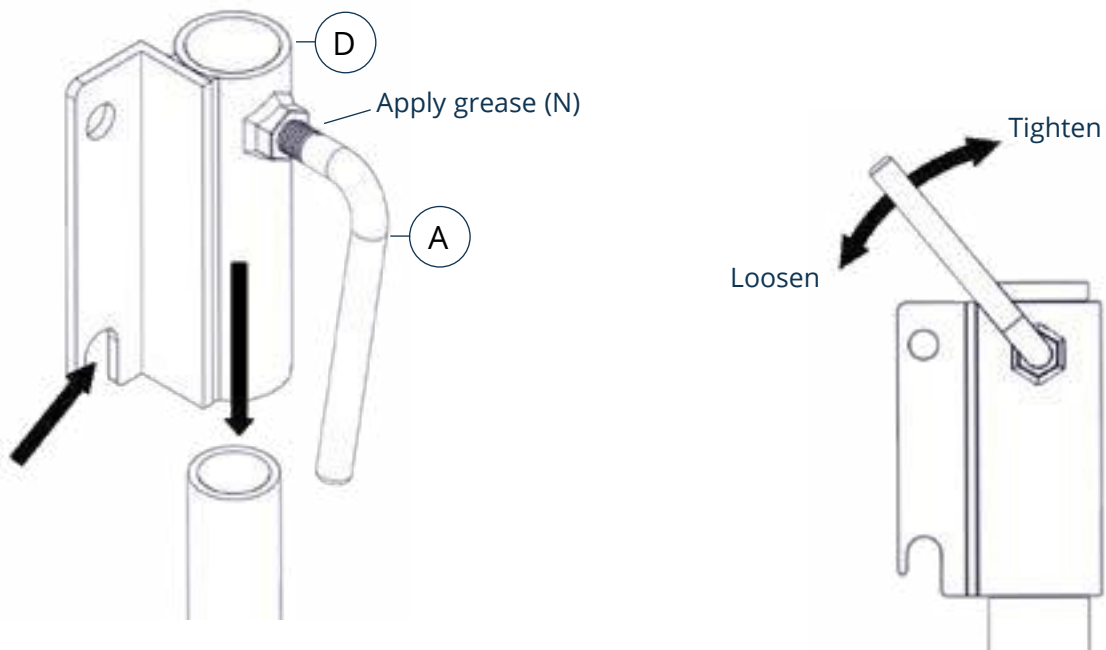


MOUNT ASSEMBLY INSTRUCTIONS (CONT.)

6. Insert the pipe fully, ensuring that the pipe end touches the strut plates.
7. Secure the pipe by adding two nylon lock nuts (M) and tightening.

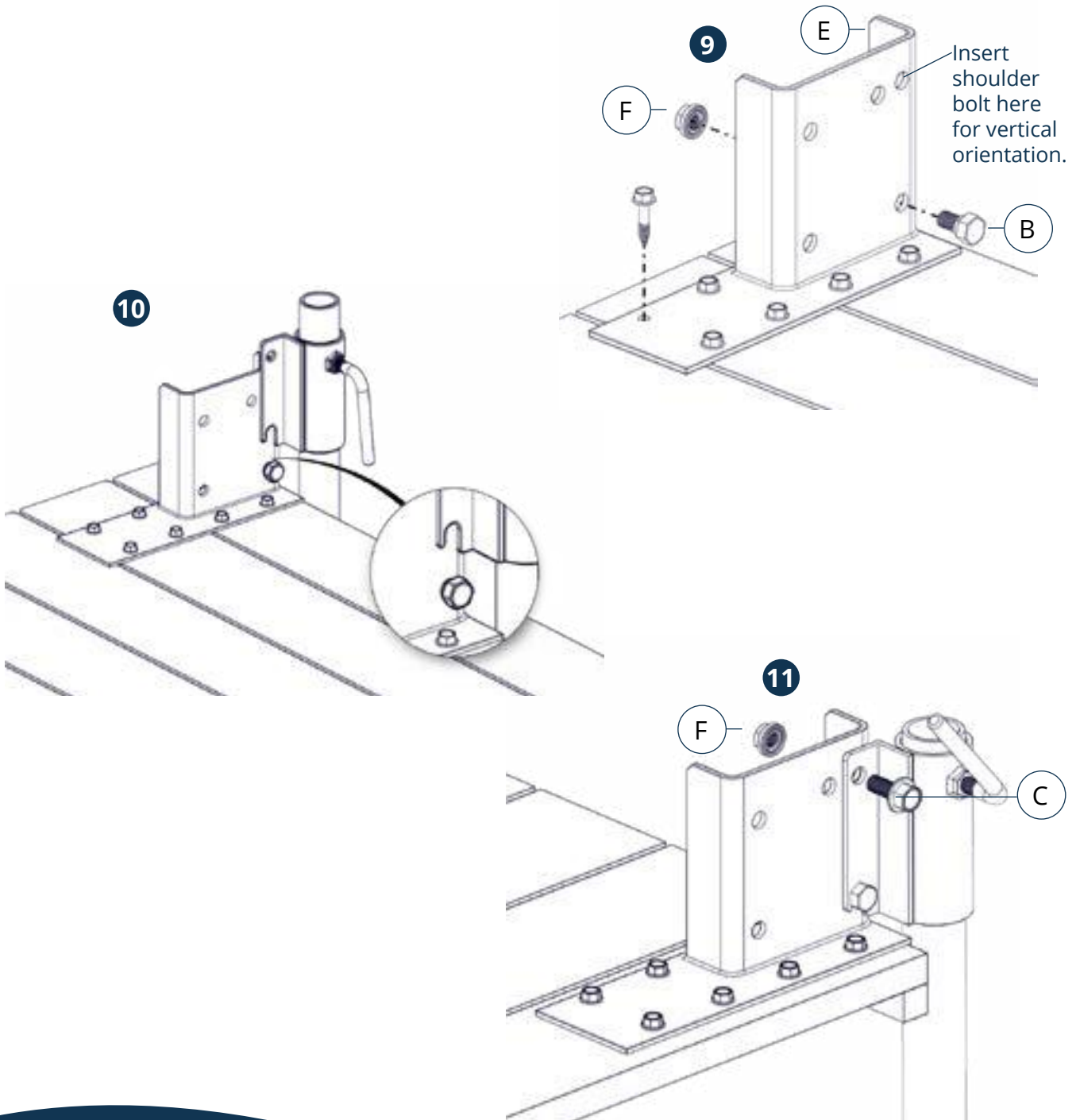


8. Slide the pipe bracket (D) over the pipe. Ensure that the notched end of the bracket is toward the unit end of the pipe. To prevent galling, apply a small amount of grease (N) to the threads of the lock handle (A) before tightening. Secure the bracket to the pipe by tightening the lock handle.



MOUNT ASSEMBLY INSTRUCTIONS (CONT.)

- Secure the base (E) in the manner appropriate for your intended installation (U-bolts, screws, etc., NOT included). Insert the shoulder bolt (B) and corresponding 1/2"-13 serrated nut (F) to the bottom hole location in the base as shown below.
- This step may require additional help. Once the hardware has been installed, lift the assembly into position, align the slot of the pipe bracket with the shoulder bolt, and lower the unit until it rests on the shoulder bolt.
- Install the 1/2" x 1-1/4" serrated flange screw (C) in the top position hole and secure with 1/2"-13 serrated nut (F).



ADJUSTMENTS AND STORAGE

- 12. The unit can be adjusted up or down or swiveled left or right depending on the installation and location.
- 13. If you install the upper mount assembly horizontally (as pictured below), the unit can be pivoted up and out of the water for storage or unit maintenance by removing the top 1/2" x 1-1/2" hardware and pivoting the unit 90 degrees. For vertical or horizontal installations, the unit can be removed entirely from the mount by lifting the bracket off of the shoulder bolt.

