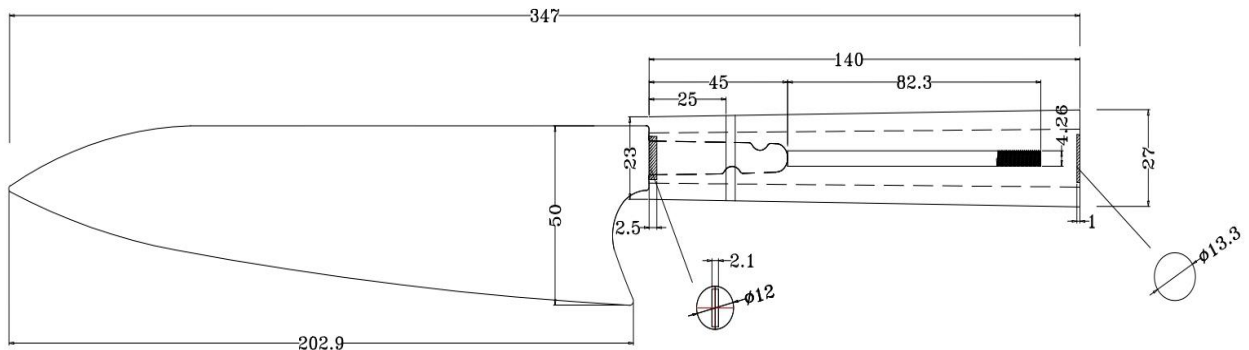




KATSURA AUS-10 Damascus Ebony Wa Style-Large Handle

These instructions are a beginner and advance guide to make a wood handle for KATSURA AUS-10 Damascus Ebony Wa Style knife blanks.



By mm

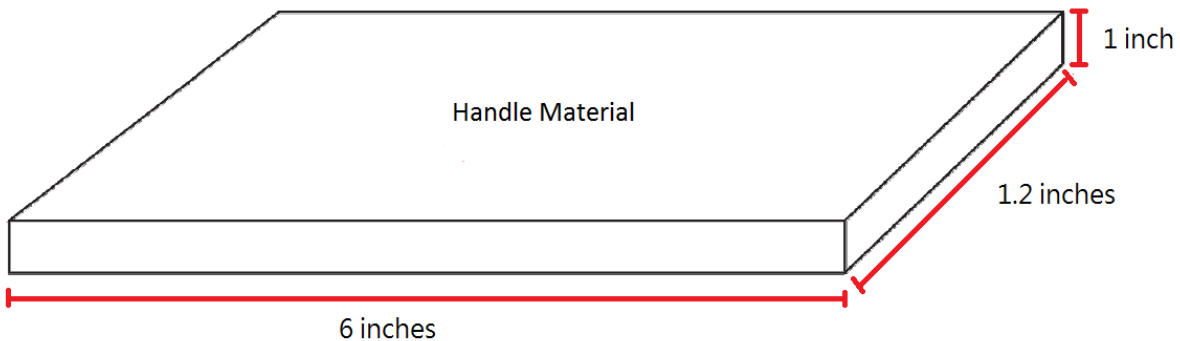
Models

- CKYD20B– AUS-10 Damascus 8-in Gyuto Chef Knife Blank
- CKGD21B- AUS-10 Damascus 8-in Kiritsuke Chef Knife blank

Supplies

- KATSURA Knife Blank
- 1x Handle Material/Knife Scales (at least 6" x 1.2" x 1")
- Drill Tool and Countersink
- Brad-Point Drill Bits 5/16, 9/32, 5/32 (varies depending on hardness of material used, for best results use pin measurements to estimate)
- Saw for cutting wood (Bandsaw, scrollsaw, coping saw, circular saw)
- Clamps
- Epoxy glue or other adhesive
- Double-sided tape

- Wood rasp/file, or sanding drum
- Sandpaper
- Pen/Marker for use on wood



Instructions

Method 1: No need any parts



1. 140mm (5.5 inches) handle length recommend
2. Drill a rectangle hole on the handle with width x Height x Deep ($\varnothing 2.5\text{mm} \times 10\text{mm} \times 50\text{MM}$)
3. Put proper amount of the glue into the hole and put the knife tang into the hole (make sure the blade is straight)
4. Set the knife straight and wait until the glue is fully dry
5. After it's dry, wipe out the excess glue and it's done

Method 2: Use only one front ring

1. 140mm (5.5 inches) handle length recommend
2. Drill a flat hole/space for the ring with Diameter x Thickness ($\varnothing 12\text{mm} \times 2.5\text{MM}$)
3. Drill a rectangle hole on the handle with width x Height x Deep ($\varnothing 2.5\text{mm} \times 10\text{mm} \times 50\text{MM}$)
4. Put proper amount of the glue into the hole
6. Put the ring on the knife tang and put the knife tang into the hole (make sure the blade is straight)
7. Set the knife straight and wait until the glue is fully dry
8. After it's dry, wipe out the excess glue and it's done



Method 3: Use all parts

1. 140mm (5.5 inches) handle length recommend
2. Put the ring on the knife tang and then weld the tang with the supporting stick together as an extended full tang.
3. Drill a hole (around diameter: 5mm) all the way through the handle. Based on Support Stick size: 4.26mm Diameter (Drill Bit sizes recommend: 3/16 or 13/64).
4. Drill a flat hole/space for the ring with Diameter x Thickness ($\text{Ø}12\text{mm} \times 2.5\text{MM}$)
5. Drill a rectangle hole on the handle with width x Height x Deep ($\text{Ø}2.5\text{mm} \times 10\text{mm} \times 50\text{MM}$) for inserting the knife tang. 
6. Turn to the other side of the handle, enlarge a hole to around diameter: 10mm to fit locking nuts size: 8mm. Diameter x Length ($\text{Ø}10\text{mm} \times 30\text{MM}$) (Drill Bit sizes recommend: 25/64).
7. Make a flat hole/space on the end of the handle to fit the end cap (Size: Diameter x Thickness: $\text{Ø}13.3\text{mm} \times 1\text{MM}$) 
8. Pure some glue into the hole, and then put the finished extended tang into the hole all the way through the end.
9. Put the locking nuts from the end of the handle to secure the supporting stick.
10. Pure some glue from the end of the handle and add the end cap.
11. Wipe out excess glue on the handle.
12. Set the knife straight and wait until the glue fully dry out.
13. Polish the handle and you are done.