

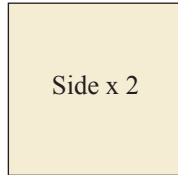
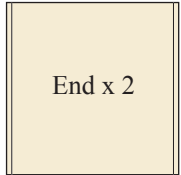
QUICK-CRATE®

The tightest box in the business

Crate Assembly Instructions

Call for assistance 1.800.362.4569

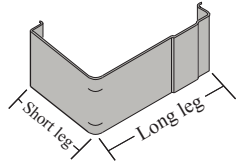
Identify boards and clip leg lengths



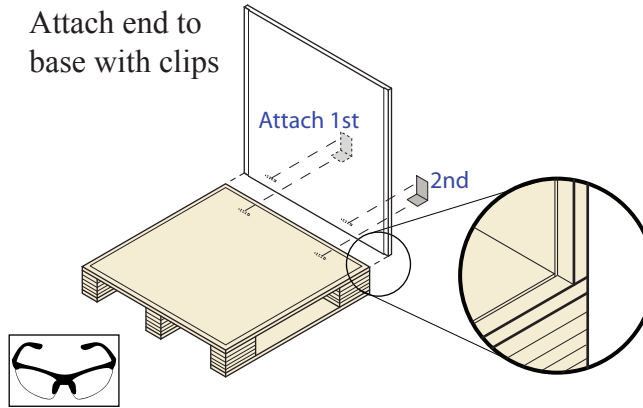
Milled Edge Perimeter

2 Vertical Milled Edges

No Milled Edge

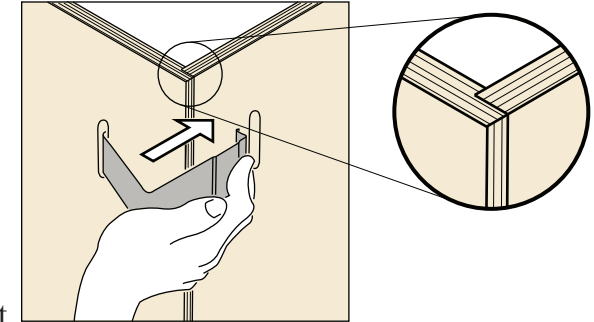


Attach end to base with clips



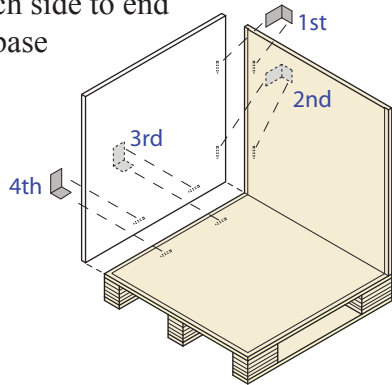
Always wear safety glasses when installing or removing clips

Attach clip so that the long leg spans across the edge of the overlapping board

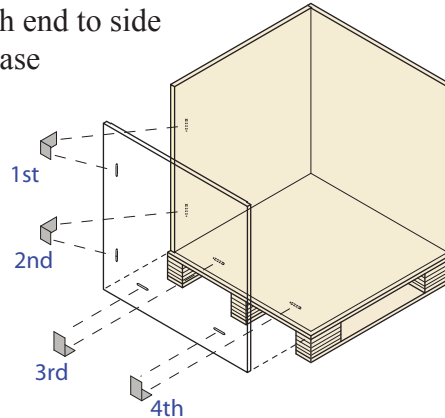


Next, Push the knee of the clip until it snaps into slot

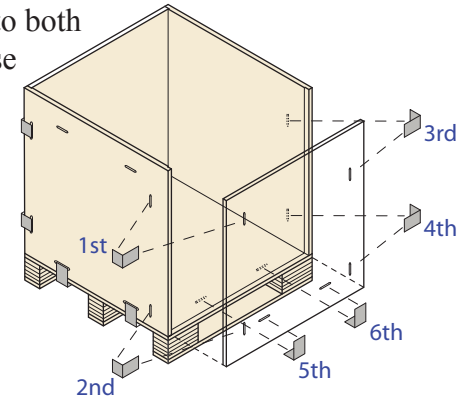
Attach side to end and base



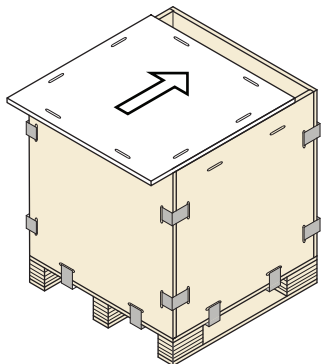
Attach end to side and base



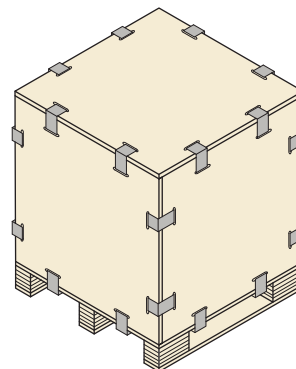
Attach side to both ends and base



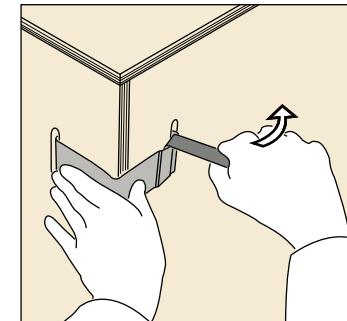
Fit top between the 2 sides and slide into place



Be sure top is fully seated, then attach with remaining clips



To remove, insert tool into raised pocket on long leg of clip and rotate tool towards center of panel



** Always cover clip with hand when removing **