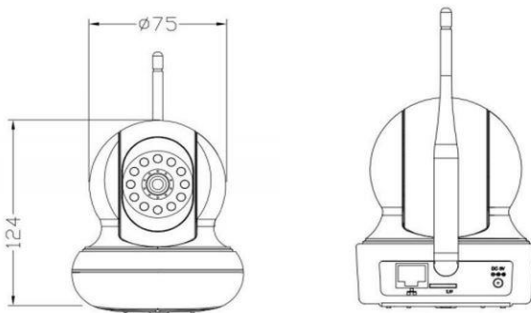




FEATURES

- Image sensor 1/3" CMOS, 2 MP
- Lens 3.6mm
- IR 10M
- Pan 355°C / Tilt 80°C
- Onvif supported
- Micro SD, Max 128GB
- AP mode & Wifi connection
- TUTK Server, signal cover all over the world
- Built-in Microphone and speaker, one-way communication
- Real-time H.264 and MJPEG Compression
- DC5V/2A

DIMENTION



SPECIFICATION

Camera	
Image Sensor	1/3" 2 Megapixel CMOS
Picture Elements	1920H*1080(V)
Min. Illumination	0.1 Lux
Lens	3.6mm
IR Distance	IR 10m
Pan/Tilt	Pan 355°C / Tilt 80°C
Video	
Resolution	1080P(1920x1080)/720P(1280x 720) / Q720P(640x352) / QQ720P(320x176)
Compression	H.264
Bit Rate	32 Kbps 6Mbps (optional) default 4 Mbps
Video frame rate	25fps(50HZ);30fps(60HZ)
Image	
Video rate	The first stream:1080P(1920x1080);Q720P(640x352) optional
	The second stream:Q720P(640x352);QQ720P(320x176)optional
	The third stream:QQ720P(320x176)
	JPEG rate:Q720P(640x352);QQ720P(320x176) optional(mobile viewing)
Character superposition	Support the OSD name,date and time information superposition(on&of,optional)
Image setting	Brightness,contrast,saturation,exposure,flip,mirror
Audio	
Compression	G.726&G711(default G726)
Function	
Memory Slot	Micro SD, Max 128GB
Motion detection	Four independent testing areas (sensitivity 100,optional)
IP protocol	TCP/IP,HTTP,TCP,ICMP,UDP,ARP,IGMP,SMTP,FTP,DHCP,DNS,DDNS,NTP,U PNP,RTSP,etc
Access protocol	Support ONVIF 2.0&authority inspection (default:close authority inspection)
Internet interface	Wifi 802.11b/g/n network(optional)
General	
Power	DC5V 2A
Maximum power consumption	6W
Operating temperature	-20°C~ +55°C
Operating humidity	10~95%RH

