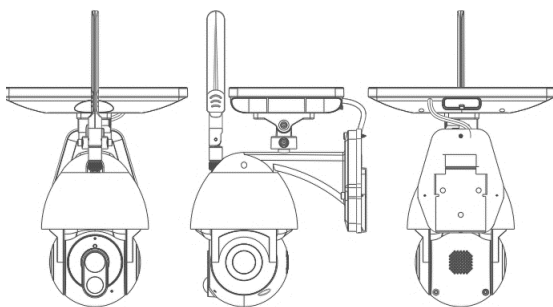




FEATURES

- 3MP high-definition pixels
- 8*850mm infrared lamps, infrared distance: 8-10M;
- H.265 video compression technology, high image quality, low bit rate;
- Support PIR motion detection, APP alarm push;
- Support 2.4GHz Wi-Fi connection
- Support 128G TF card storage and cloud storage;
- Support battery 10400 mAh;
- Record Events only;
- Supporting cloud services;

DIMENSION



SPECIFICATION

| Camera | |
|-----------------------------|--|
| Product name | 3MP Outdoor Waterproof Camera |
| Operation mode | WATASHI IoT |
| Main chip | T31 |
| Image sensor | SC3335, 1/2.8 inches CMOS |
| Lens | 4.0mm fixed |
| Resolution ratio | HD: 2304H*1296, SD: 640*360 |
| IR-CUT | support |
| Minimum illumination | 0.02Lux@F2.0, AGC ON, 0Lux with IR |
| Infrared Light | 8*850mm infrared lamps |
| Night vision distance | 8-10meters |
| Functions | |
| Image coding and decoding | H.265 |
| Video system | 3MP@15fps |
| Video mode | HD / SD |
| Video Bit Rate | HD: 1Mbps, SD: 384Kbps |
| Picture flip | Support |
| Pan & Tilt PTZ | horizontal 355 degrees, Vertical 75 degrees |
| Audio | Support Two-way audio |
| ONVIF | Not Support |
| Wi-Fi transmission | 2.4G, IEEE802.11 b/g/n protocol, 10~15m (No barrier) |
| Motion detection | Support PIR motion |
| Moving objects tracking | Not support |
| Remote viewing / playback | Alarm push / real time viewing |
| Local storage | Extend / support 128G TF Card, Support Cloud storage |
| One-key restore default | Support |
| Other Parameters | |
| Reset button | support |
| Power Supply Input (Camera) | USB 5V, Max 6W |
| Power Supply Input (Solar) | USB 5V |
| Power battery Output | 18650*4pcs. 3.7V 10400MA ± 10% |
| Certification | CE, ROHS, FCC |
| Working temperature | -10°C~60°C |
| Working humidity | 0% ~ 90% RH |
| Shell material | PVC |
| Appearance size | 185*170*307 (mm) |
| Weight | 791g (Includes power supply) |
| packing list | Solar panel × 1 camera × 1 manual × 1 installation kit × 1 |
| Water proof | IP65 |

