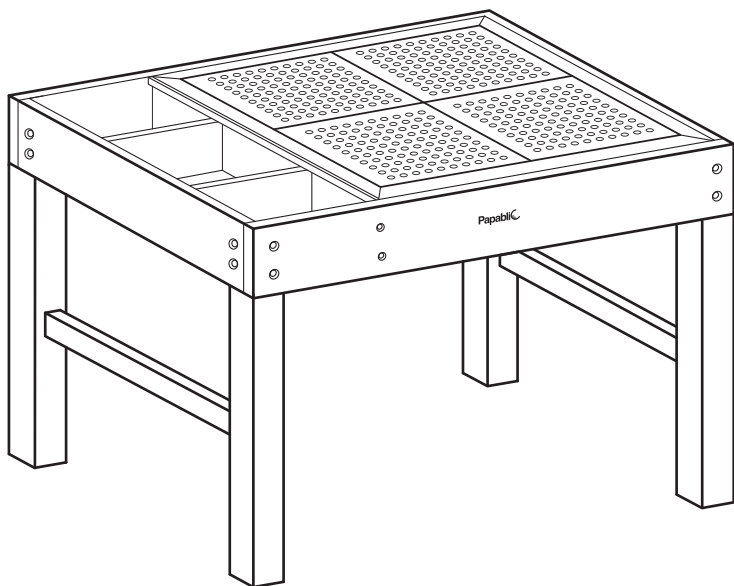


Papabili

2 in 1 Activity Table



Assemble Instructions

Thank you for your purchase.

Please follow the instructions below for correct assembly.

ASSEMBLY TIPS

To avoid damaging the table perform the assembly of your table on a clean soft surface like a blanket, carpet, or the flattened cardboard box the table was shipped in. Components should not be unnecessarily forced together! If it seems something isn't fitting together you likely have it wrong and you should reread the instructions to ensure you are aligning the proper components.

You can also email us for support at **service@papablic.com**.

Don't Use a Cordless Screw Gun:

It is not necessary and we do not recommend using a screw gun or drill to install and tighten bolts in inserts. Finger tighten all bolts first and use the Allen Tool provided to finish tightening all bolts after the piece is assembled.

Please Recycle the BOX and paper packaging.

WARNING

KEEP CHILDREN AWAY FROM MOUNTING ACCESSORIES. ADULT ASSEMBLY REQUIRED. CHOKING HAZARD TO CHILDREN UNDER THE AGE OF 3 YEARS - CONTAINS SMALL PARTS PRIOR TO ASSEMBLY.

TO PREVENT SERIOUS INJURY OR DEATH, SECURELY INSTALL THE TABLE AND USE IT ACCORDING TO THE MANUFACTURER'S INSTRUCTIONS.

THE NAIL CONTAINS SHARP POINT, PLEASE INSTALL IT CAREFULLY.

MANUFACTURER ADDRESS:

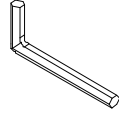
NO.1, Hongshen Road,
Madian Industrial Park,
Jiaozhou, Qingdao, China



D*16



E*4



F*1



A*4



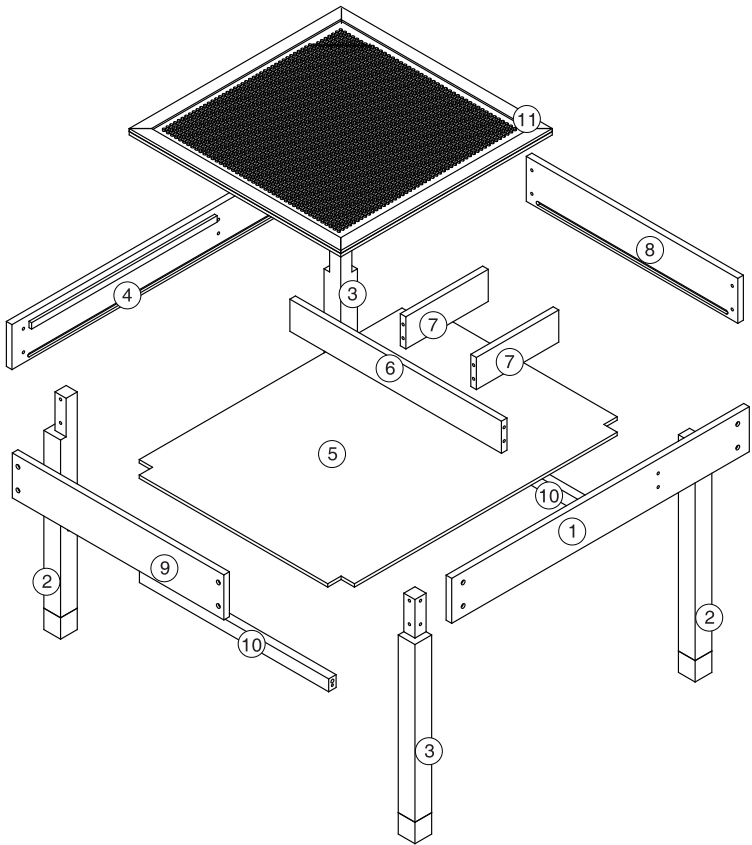
B*20



C*24



G*20



Assembly Instruction

Step 1



Ax4



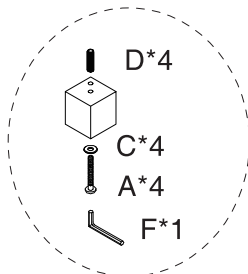
Cx4



Dx4



Fx1



Please identify which leg is ② and which leg is ③ according to the drawings. You can easily add the 4 extender blocks to the legs to adjust the height. If your Lego table does not need to increase in height, please skip this step.

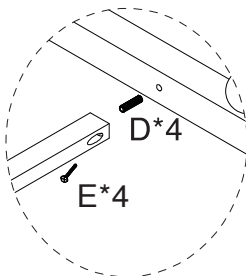
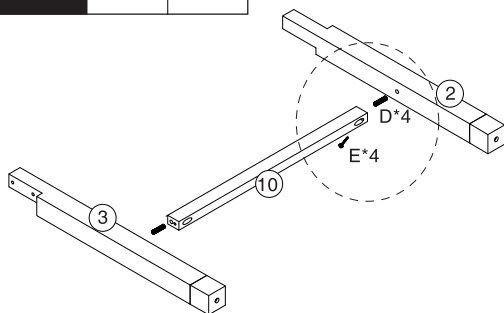
Step 2



Ex4



Dx4



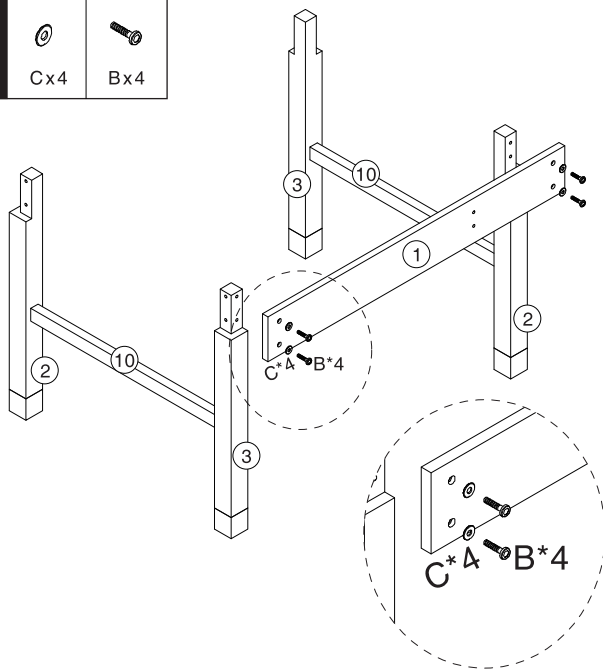
Step 3



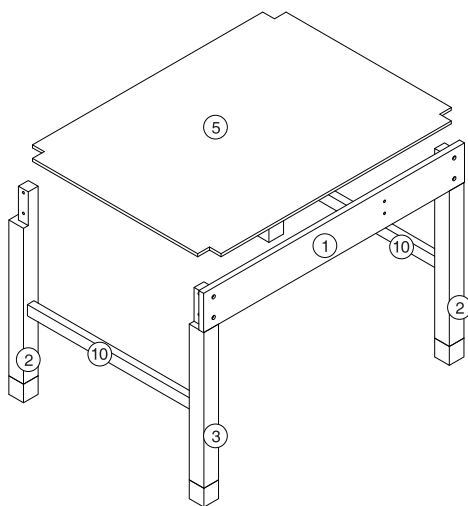
Cx4



Bx4



Step 4



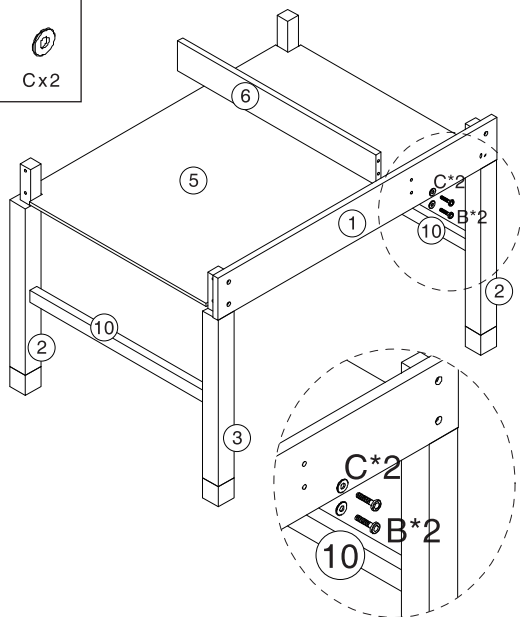
Step 5



Bx2



Cx2



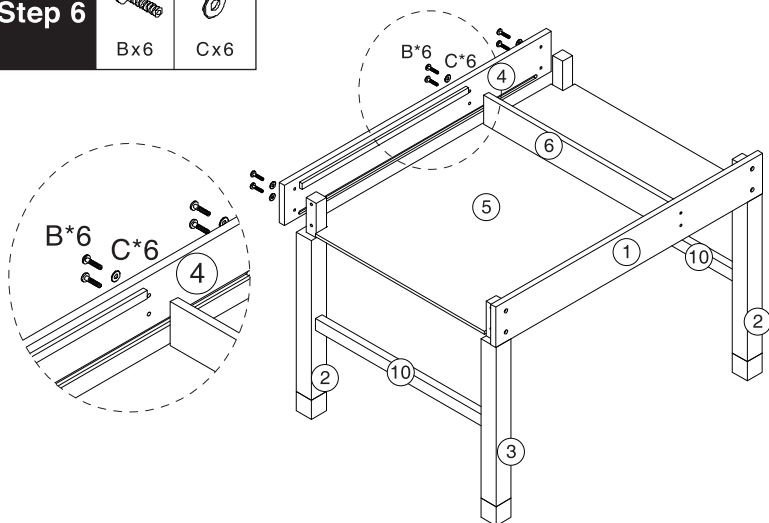
Step 6



Bx6



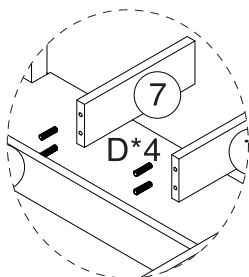
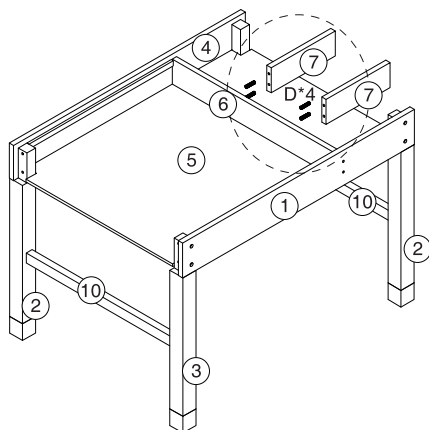
Cx6



Step 7



Dx4



Step 8



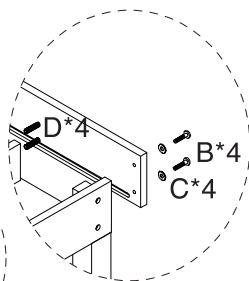
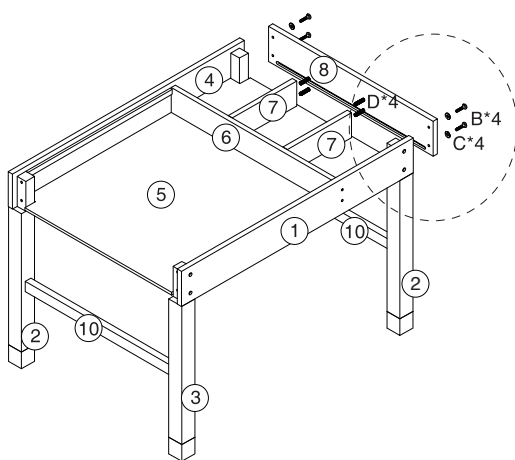
Bx4



Cx4



Dx4



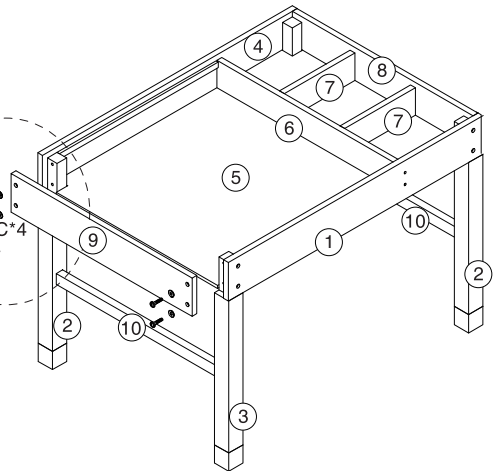
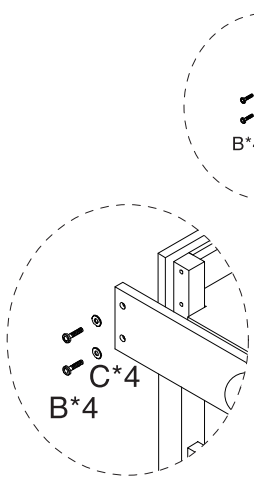
Step 9



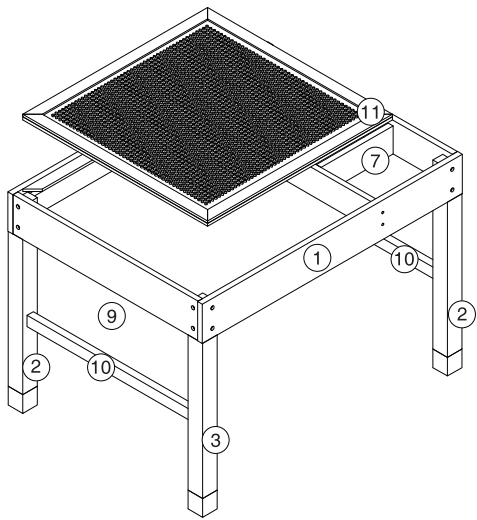
B x 4



C x 4



Step 10



Step 11

0

Gx20

