



Prairie View Industries

Modular XP System Instructions



Modular XP System Manual

***Visit our website or call for a catalog, to
see our full line of products.***

Content	Page
Modular XP Overview	2
Modular XP Landing Instructions	
4'x4' Landing Assembly	7
5'x5' Landing Assembly	10
5'x8' Landing Assembly	13
Modular XP Ramp Instructions	16
Modular Stair Instructions	20

Prairie View Industries, Inc. Modular Ramp System

Overview

I. Features

1. Appearance

The PVI modular ramp with standard handrails has a clean uncluttered appearance that will fit in with most surroundings.

2. Low maintenance

The all aluminum design has lifetime durability in all kinds of climates without periodic painting or renewal of preservatives. The aluminum alloys used are resistant to salt corrosion. The modular ramp system may even be used in coastal areas and cold climates that use deicers.

3. Permanent but moveable

The PVI modular ramp serves the purpose as well or better than a permanent concrete ramp, but can still go along with the user if they move, or can be removed and resold when no longer needed. This ramp system is designed to be freestanding and totally independent of the existing structure. In many areas this simplifies compliance with local codes and in many cases eliminates permit requirements.

4. Flexible modular components

If or when the ramp is moved or resold it is easy to add to, subtract from, or reconfigure the modular components at the new location. This feature makes the system attractive to lease/rental opportunities that may be available with insurance companies serving rehabilitation needs. It is best to use standard and/or existing components if possible. Custom designs add cost to the ramp and delays delivery. There are times when special components must be used and PVI is ready to provide the design and production assistance required.

5. Quick, easy assembly and installation

The modular components of the PVI ramp are designed to be quickly and easily assembled with simple hand tools and set in place without the need for construction equipment. A van, pickup or small trailer is all that is needed to transport the ramp components (or the shop assembled ramp) to the site.

6. Quick and economical shipping

The modular components are stocked and warehoused so an order can be filled and shipped on short notice. The lightweight aluminum design and plant location make it economical to ship to any part of the country. Shipping cartons can be handled with ease.

II. Standard Components

1. Ramps:

Width: 36" standard width; other widths (30" to 48") optional.

Length: Minimum length of 4 feet.

Ramp Surface: Aluminum planking with lateral grooves.

Curbing: 2" high curb - standard.

Slope: Adjustable - between 1:12 and 2:12

2. 90 Degree turn or straight through landing:

Dimensions: 60" x 60" and 48" x 48" standard sizes

Height: 5 1/2" minimum, 60" maximum

Load Capacity: 100 lb./sq. ft.

3. 180 Degree turning switchback landing:

Dimensions: 60" x 96"

Height: 5 1/2" minimum, 60" maximum

Load Capacity: 100 lb./sq. ft.

4. 45 degree angle landing:

Dimensions: 36 3/4" wide x 38" long

Height: 4" minimum, 60" maximum

Load Capacity: 100 lb./sq. ft.

5. Handrails:

Double 1 1/2" diameter aluminum tube 34½" high. Guard rails with vertical slats available on request. Optional ADA extensions (12" beyond beginning and end of ramp) are also available.

III. Slopes, Handrails and Layout Considerations

Note: ADA compliance is usually optional (guideline only) for ramps to private homes.

1. Slopes:

The ADA recommended slope of 1:12 is preferred when possible. However, when space is limited or other considerations require a steeper ramp, the PVI modular ramp system will accommodate slopes up to 2:12. Any slope selected must consider the capabilities and safety of the users and their equipment.

2. Handrails:

ADA requires handrails on any ramp with a rise of 6" or more. The PVI modular ramp system is available with or without handrails; however, we recommend handrails on all but the shortest ramps unless other provisions are made for the safety and assistance of the user. Some codes mandate handrail spacing and/or vertical slats. Call PVI on designs with special handrail requirements.

3. Layout considerations:

- a. Overall ramp width on the standard 36" wide ramp is 40½" to the outside of the handrails and 44 1/2" to the outside of the standard legs.
- b. Overall length of individual ramp segments are as follows: 4', 5', 6', 7' & 8'. These segments are used in combinations to make lengths from 9' and longer in increments of 1 ft.

IV. Shipping

1. Freight Line and Freight Charges:

PVI uses a combination of truck lines. Freight charges vary depending on the size and scope of the ramp system and destination. Call PVI for a price quote on a particular ramp.

2. Handling:

All components are shipped in packages light enough to be handled with ease.

V. Assembly

1. Ramp and Landing Assembly:

Complete detailed assembly instructions are included with each ramp. Assembly time for ramps is approximately one man hour per 16 feet of ramp length. Assembly time for landings is approximately ½ man hour. Ramps can be assembled in sub assemblies for easy transport to the job site. Site preparation, transport time and anchoring time is not included.

2. Footings and Anchoring:

The PVI modular ramps are designed to be freestanding, independent structures that do not have to be permanently attached to the building it serves. Each supporting leg is independently adjustable so any settling or heaving of the supporting surface can be adjusted quickly and easily with a single 1/2" wrench. The ramps are also designed to be disassembled, moved and reassembled at a new site in a new configuration and length. Platforms must have a minimum of one leg anchored on each of the two opposite sides. Each free standing ramp must be anchored at the upper and lower end. Secure anchoring for the first pair of posts at the bottom is especially important because this adds necessary strength to the lower end of the handrails. Anchoring may consist of lag screws or bolts into wooden surfaces or anchor bolts drilled into existing concrete and/or precast pads or poured in place.

Specifications for anchoring to resist hurricane force winds are available by calling PVI at 1-800-554-RAMP (7267).

VI. Modular Stair

1. Introduction:

The PVI modular stair is an accessory to be used with a PVI landing that is between 8" and 48" high. When properly installed according to the instructions, it results in a stair with uniform tread height from top to bottom. The stair can be used with or without a modular ramp approaching the landing. The PVI modular stair and landing is especially convenient for use on mobile homes.

2. Specifications:

Width: 36" inside, 44 1/2" outside

Height Range: 4" to 42" (1, 2, 3, and 5 step stairs available)

Tread: 11 1/2" depth

Rise per Step: adjustable from 4" to 8"

Handrail: top tube 1 1/2" diameter bottom tube, 3/4" x 1 1/2" square tube

XP Modular System Quick Installation Tips and Guidelines

Ramp Assembly

1. Ramp sections should be placed on a flat surface in the appropriate order with all handrail clips facing the same direction.
2. Sections should be spliced together while on the flat surface.
3. Handrail should be installed while spliced sections are on the flat surface.
4. The “Upper T” (threshold joining ramp and landing) should be installed on Ramp section that will attach to landing.
5. Raise spliced sections to landing ensuring section with upper T previously installed is brought to landing.
6. Appropriate legs should be installed in all positions.

Landing Handrail Assembly

1. Handrail must be assembled in a counter clockwise direction, depending on your landings configuration, choose a corner between landing entrances.
2. Working counter clockwise install splices into corner tubes then place 39 ½ straight tubes over splices and tighten set screws.
3. Place splices in open end of 39 ½ straight tube then place corner handrail over splices and tighten.
4. Repeat steps moving in a counter clockwise direction until handrail is assembled and tight.



Prairie View Industries, Inc.

Section 1

4'x4' Landing Assembly Instructions

Option 1

Straight Through



Straight Through - Option 1

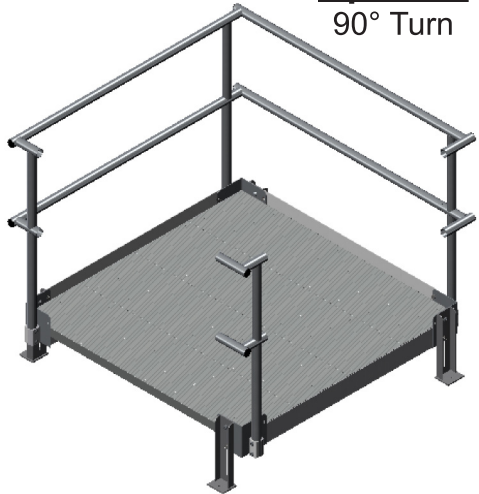
The 4'x4' landing and ramp may be installed in a straight through configuration with the plank in the landing running in a parallel pattern with the plank in the ramp. Install the 39-1/2" handrails on opposite sides of one another, on the same sides you have installed the handrail install the curb angle.

90 Turn - Option 2

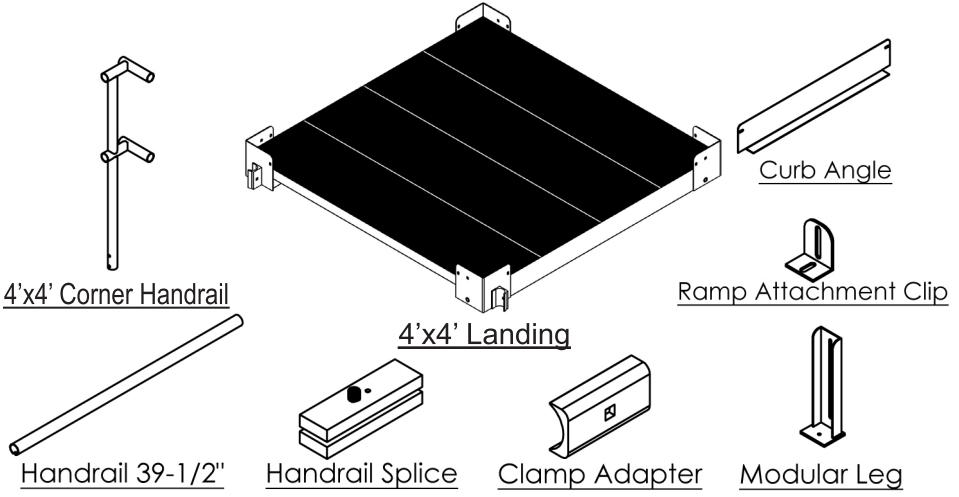
The 4'x4' landing can also be configured to make a 90 turn. Install the 39-1/2" handrails on one side, then install the second 39-1/2" handrails running 90 to the first 39-1/2" handrails installed. After you have installed the 39-1/2" handrails install the curb angle on the same sides you have installed the handrail.

Option 2

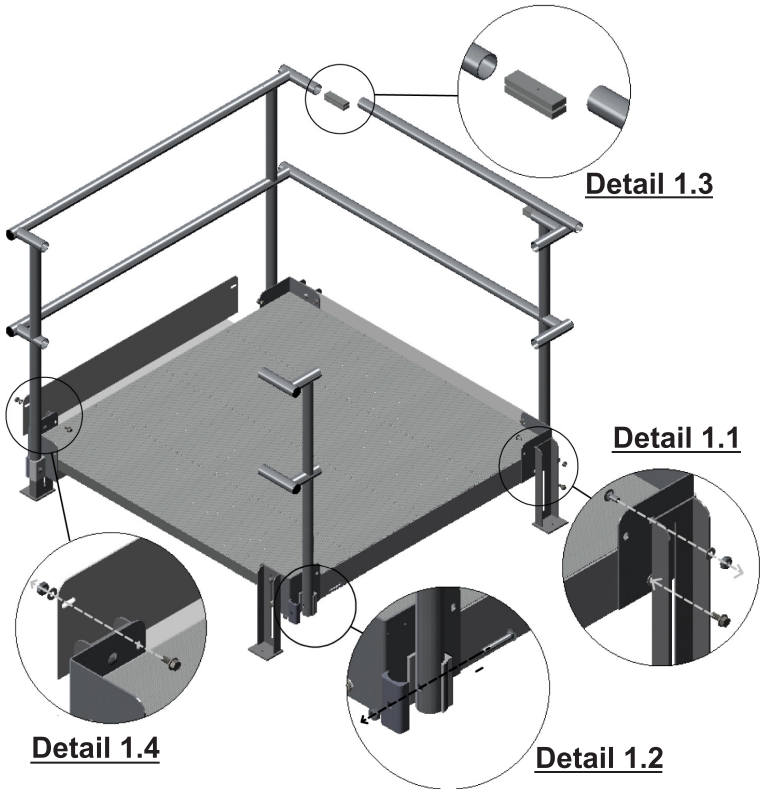
90° Turn



4'x4' Landing Material



4'x4' Assembly Illustration



4'x4' Assembly Instructions

1.1 - Leg Attachment

Determine locations for legs. Attach legs using supplied 5/16"x3/4" flange bolt; run bolt through slot in leg and finger tighten to the already installed rivet nut. Next run the 5/16"x3/4" carr. bolt through the square hole in landing corner and finger tighten the 5/16" selflock nut (see **Detail 1.1**). After you have attached all four legs set the height of the landing and tighten all hardware the rest of the way.

1.2 - Corner Handrail Attachment

Using PVI clamp adapter lower **ONE** 4'x4' Corner Handrail into clamp base, line up holes in handrail with holes in clamp base. Run the supplied 5/16"x2-1/4" carr. bolts through holes, and tighten 5/16" selflock nuts into place (see **Detail 1.2**).

1.3- Handrail Splice

After you have installed **ONE** 4'x4' corner handrail, choose unused openings to close off with 39-1/2" handrail, and handrail splice. Insert handrail splice inside corner tube, then slip the 39-1/2" handrail over the handrail splice, making sure the notch in the tube is pointed down tighten set screw in handrail splice through the notch in handrail (see **Detail 1.3**). Install next Corner and Handrail section by repeating 1.2 - Handrail Attachment and 1.3 - Handrail Splice.

1.4 - Curb Angle Attachment

At the unused openings on the 4'x4' Landing a curb angle will need to be installed. Line up the slotted holes in curb angle with slotted holes in the landings corner angle, run 5/16"x3/4" carriage bolt through the landing angle and the slotted hole in curb angle, put the 5/16" flat washer, and 5/16" selflock nut on the outside edge of landing and tighten (see **Detail 1.4**).

Anchoring Landing

With completion of landing assembly, tighten all nuts and bolts. The landing needs to be anchored to the ground with anchor bolt. In some cases your landing will be placed over existing concrete. If you find yourself over grass or other surfaces, we suggest putting patio blocks under each leg. These are inexpensive and work well to anchor the landing to the ground.



Prairie View Industries, Inc.

Section 2

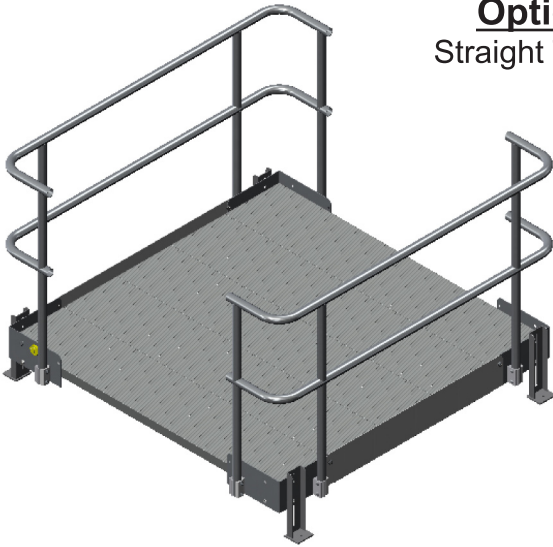
5'x5' Landing Assembly Instructions

Option 1

Straight Through

Straight Through - Option 1

The 5'x5' landing and ramp may be installed in a straight through configuration with the plank in the landing running in a parallel pattern with the plank in the ramp. Install the 39-1/2" handrail on opposite sides of one another. On the same sides you have installed the handrail install the curb angle.

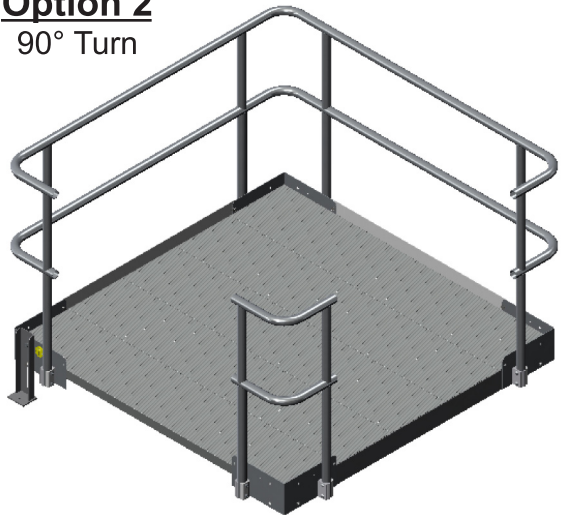


Option 2

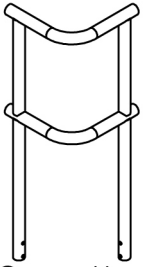
90° Turn

90 Turn - Option 2

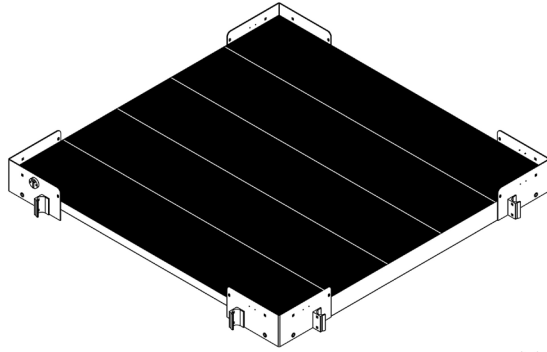
The 5'x5' landing can also be configured to make a 90 turn. Install the 39-1/2" handrails on one side, then install the second 39-1/2" handrails running 90 to the first 39-1/2" handrails installed. After you have installed the 39-1/2" handrails install the curb angle on the same sides you have installed the handrail.



5'x5' Landing Material



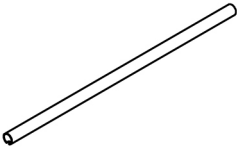
5x5 Corner Handrail



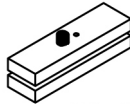
5'x5' Landing



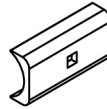
Modular Leg



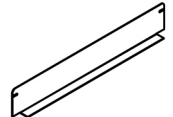
Handrail 39-1/2"



Handrail Splice

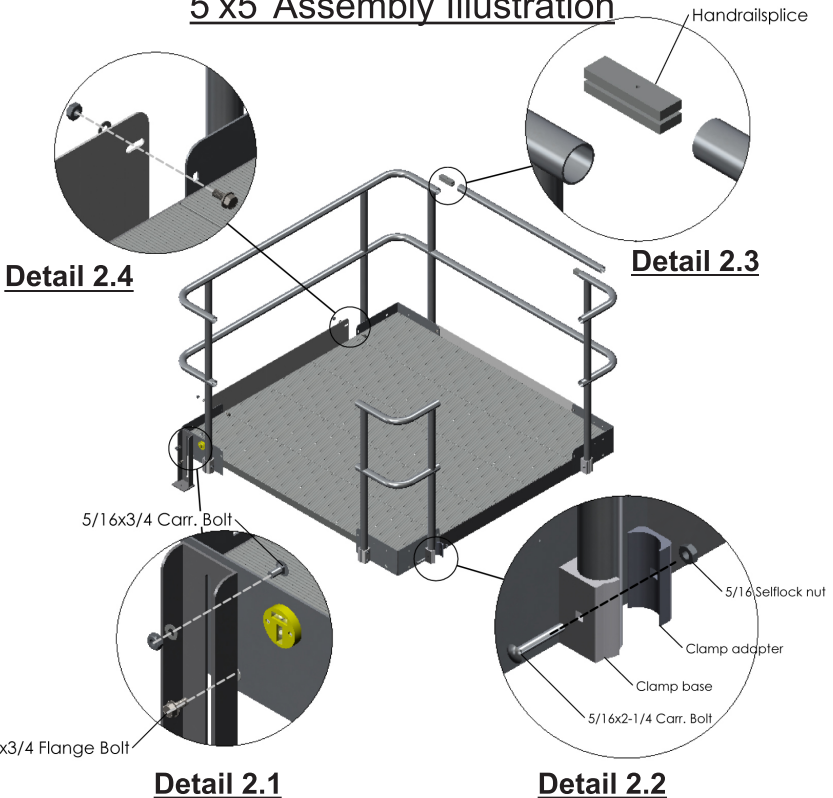


Clamp Adapter

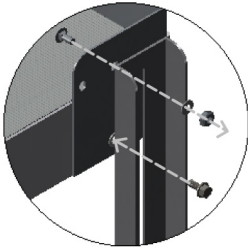


Curb Angle

5'x5' Assembly Illustration



5'x5' Assembly Instructions



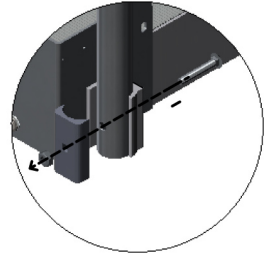
Detail 2.1

2.1 - Leg Attachment

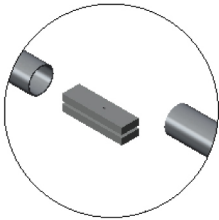
Determine locations for legs. Attach legs using supplied 5/16"x3/4" flange bolt, run bolt through slot in leg and finger tighten to the already installed rivet nut, next run the 5/16"x3/4" carr. bolt through the square hole in landing corner and finger tighten the 5/16" selflock nut (see **Detail 2.1**). After you have attached all four legs set the height of the landing and tighten all hardware the rest of the way.

2.2 - Corner Handrail Attachment

Using PVI clamp adapter lower **ONE** 5'x5' Corner Handrail assembly into clamp base, line up holes in handrail with holes in clamp base. Run the supplied 5/16"x2-1/4" carr. bolts through holes, and tighten 5/16" selflock nuts into place. (see **Detail 2.2**)



Detail 2.2



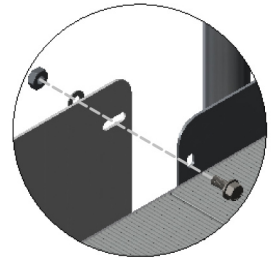
Detail 2.3

2.3 - Handrail Splice

After you have installed **ONE** 5'x5' corner handrail, choose unused openings to close off with 39-1/2" handrail, and handrail splice. Insert handrail splice inside corner tube, then slip the 39-1/2" handrail over the handrail splice, making sure the notch in the tube is pointed down tighten set screw in handrail splice through the notch in handrail (see **Detail 2.3**). Install next Corner and Handrail section by repeating 2.2 - Handrail Attachment and 2.3 - Handrail Splice.

2.4 - Curb Angle Attachment

At the unused openings on the 5'x5' Landing a curb angle will need to be installed. Line up the slotted holes in curb angle with slotted holes in the landings corner angle, run 5/16"x3/4" carriage bolt through the landing angle and the slotted hole in curb angle, put the 5/16" flat washer, and 5/16" selflock nut on the outside edge of landing and tighten. (see **Detail 2.4**)



Detail 2.4

Anchoring Landing

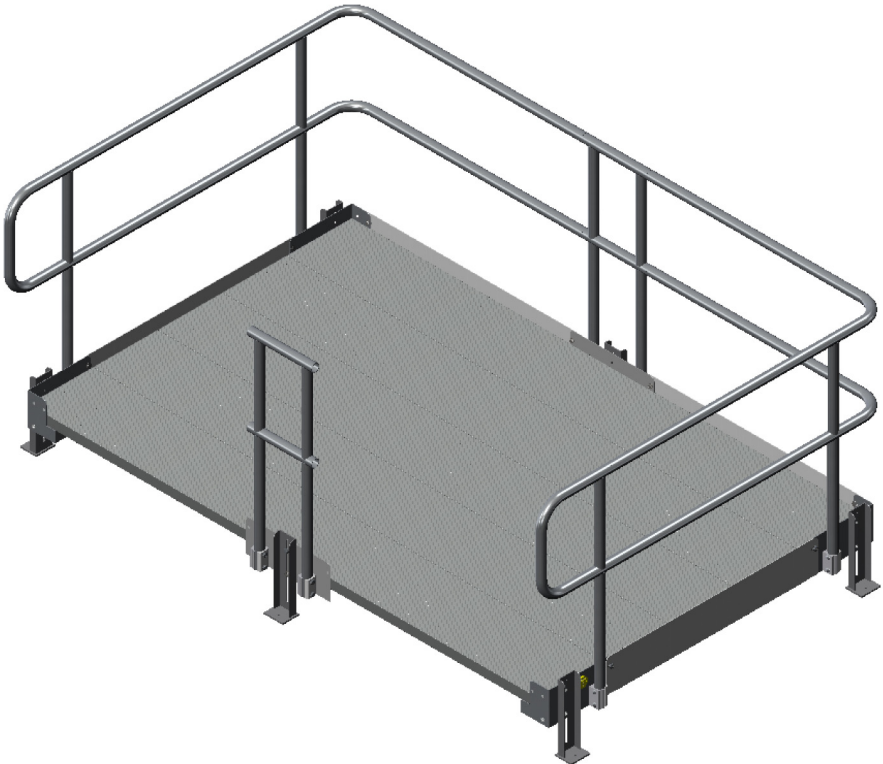
With completion of landing assembly, tighten all nuts and bolts. The landing needs to be anchored to the ground with anchor bolt. In some cases your landing will be placed over existing concrete. If you find yourself over grass or other surfaces, we suggest putting patio blocks under each leg. These are inexpensive and work well to anchor the landing to the ground.



Prairie View Industries, Inc.

Section 3

5'x8' Switchback Assembly Instructions



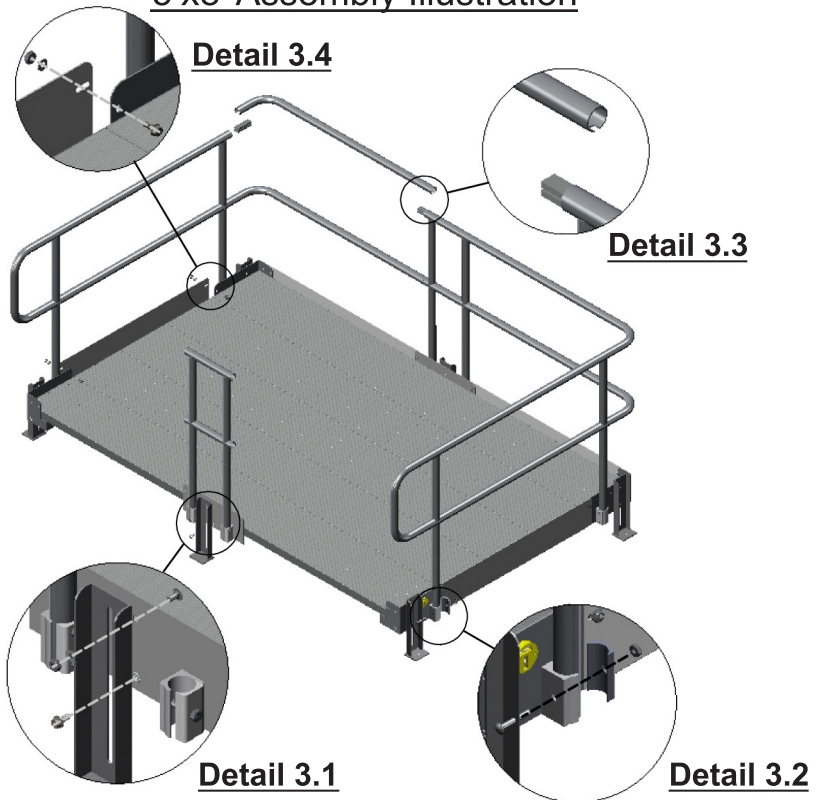
Basic Switchback Configuration

The instructions provided are a basic way of assembling the landing. Configure the landing according to its application. To make the switchback configuration install the 39-1/2" handrails on the 5 foot sides of the landing. The 5'x8' center handrails are to be installed on both eight foot sides of the landing. On the eight foot side of the 5'x8' landing with the unused openings install the 5'x8' left & right corner handrails.

5'x8' Landing Material



5'x8' Assembly Illustration



5'x8' Assembly Instructions

3.1 - Leg attachment

Determine locations for legs. Attach legs using supplied 5/16"x3/4" flange bolt, run bolt through slot in leg and finger tighten to the already installed rivet nut, next run the 5/16"x3/4" carr. bolt through the square hole in landing corner and finger tighten the 5/16" selflock nut (**Detail 3.1**). After you have attached all four legs set the height of the landing and tighten all hardware the rest of the way.

3.2 - Handrail attachment

Using the PVI clamp adapters lower **ONE** 5'x8' Center Handrail or 5'x8' Short Handrail into clamp base, line up holes in handrail with holes in clamp base. Run the supplied 5/16"x2-1/4" carr. bolts through holes, and tighten 5/16" selflock nuts into place (see **Detail 3.2**).

3.3 - Handrail Splice

After you have installed **ONE** 5'x8' Center or a 5'x8' Short Handrail, choose unused openings to close off with, 5'x8' corner handrails or 39-1/2" handrail. Insert handrail splice inside the tube of welded handrail assembly slip the 39-1/2" or 5'x8' corner handrail over the handrail splice, making sure the notch in the tube is point down tighten set screw in handrail splice through the notch in the handrail tube (see **Detail 3.3**). Install next 5'x8' Short Handrail or 5'x8' Center Handrail by repeating 3.2 - Handrail Attachment and 3.3 - Handrail Splice.

3.4 - Curb Angle attachment

At the unused openings on the 5'x8' landing a curb angle will need to be used. Line of the slotted holes in curb angle with slotted holes in the landings corner angle, run 5/16"x3/4" carriage bolt through the landing angle and slotted hole in curb angle, put the 5/16" flat washer, and 5/16" selflock nut on the outside edge of landing and tighten nuts down (see **Detail 3.4**).

Anchoring Landing

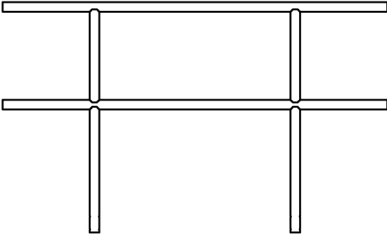
With completion of landing assembly, tighten all nuts and bolts. The landing needs to be anchored to the ground with anchor bolt. In some cases your landing will be placed over existing concrete. If you find yourself over grass or other surfaces, we suggest putting patio blocks under each leg. These are inexpensive and work well to anchor the landing to the ground.



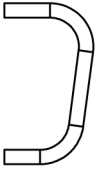
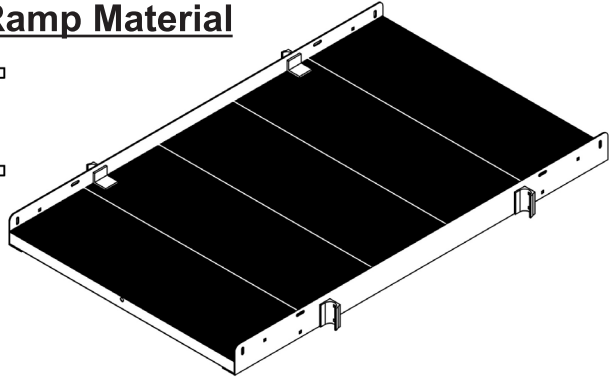
Section 4

Ramp Assembly Instructions

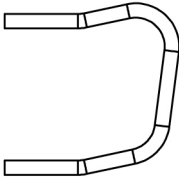
Ramp Material



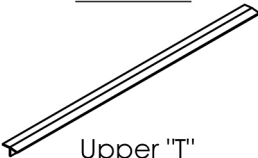
Handrail Sections
4', 5', 6', 7', & 8'



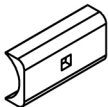
Standard End



ADA End

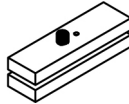


Upper 'T'

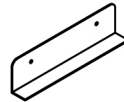


Clamp Adapter

Ramp Section



Handrail Splice



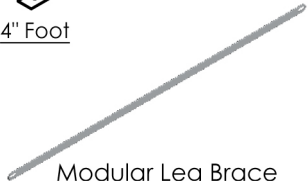
Frame Splice



Modular Legs
12", 18", 24", 30", 36", 42", 48", 54"

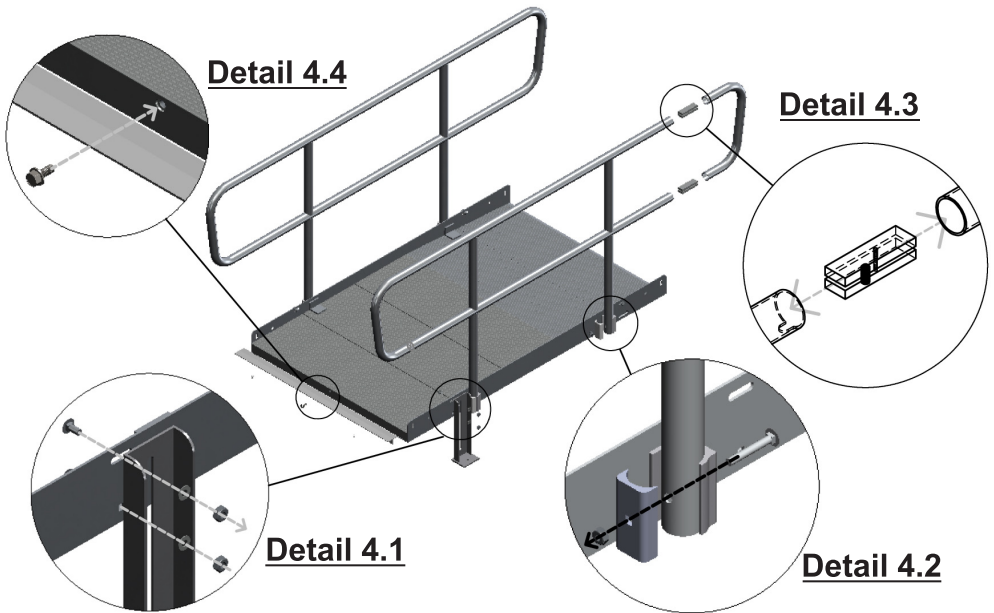


4" Foot



Modular Leg Brace
43 3/4", 47", 50 3/4", 54 3/4"

Ramp Assembly Instructions



4.1 - Leg attachment

Attach legs using supplied 5/16"x3/4" carr. bolts. Run bolts through the square hole, and slotted hole in frame rail of ramp section and finger tighten the 5/16" selflock nuts (see **Detail 4.1**). After you have attached all of the legs set the height of the ramp and tighten all hardware the rest of the way down.

4.2 - Handrail attachment

Using PVI clamp adapter lower handrail sections into clamp base, line up holes in handrail with holes in clamp base. Run the supplied 5/16"x2-1/4" carr. bolts through holes, and tighten 5/16" selflock nuts into place. (see **Detail 4.2**)

4.3 - Handrail Splice

After you have installed the handrail sections slip the handrail splice inside both tubes at same end, then slip the desired standard end over the handrail splice. After the end rail is in place tighten set screw in handrail splice. (see **Detail 4.3**)

4.4 - Upper "T" attachment

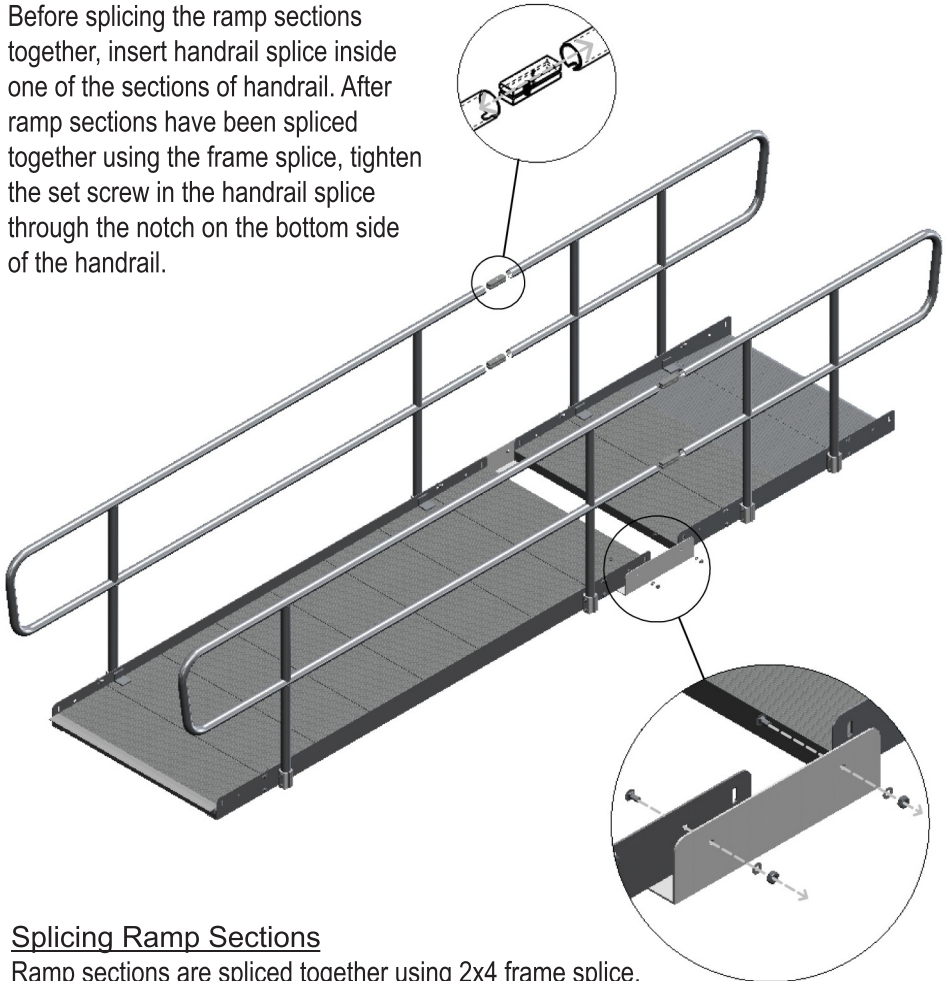
Attach upper "T" using the supplied 5/16"x3/4" carr. bolt. Run bolt through the pre drilled hole of the upper "T" and the pre drilled hole of the end plank secure in place using the 5/16" flatwasher & 5/16" selflock nut. (see **Detail 4.4**)

NOTE: If Ramp is Top Ramp or goes between landings, one Upper "T" is needed at both ends of ramp.

Ramp Section & Handrail Splicing

Splicing Handrail

Before splicing the ramp sections together, insert handrail splice inside one of the sections of handrail. After ramp sections have been spliced together using the frame splice, tighten the set screw in the handrail splice through the notch on the bottom side of the handrail.



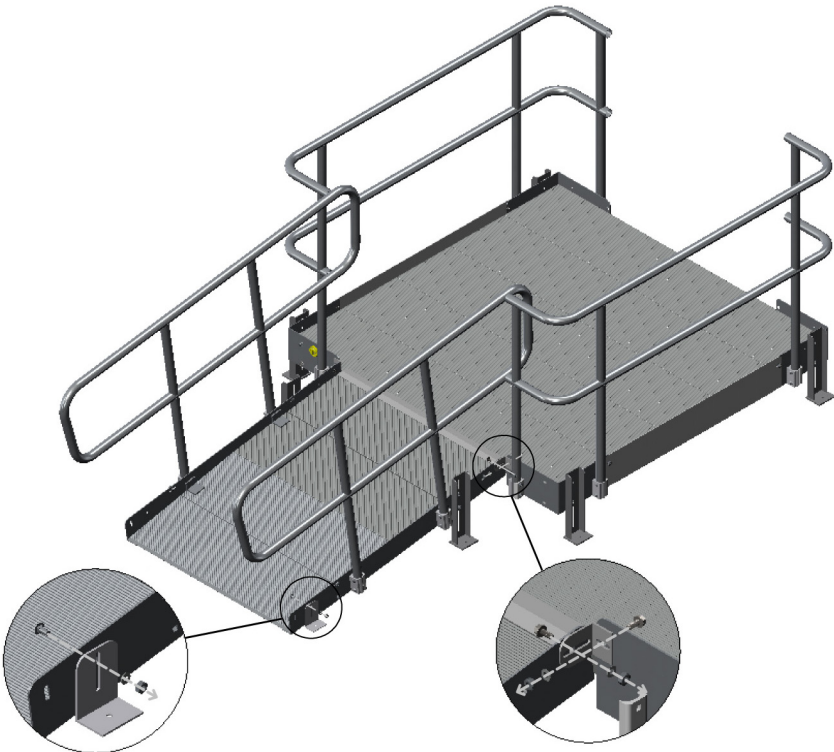
Splicing Ramp Sections

Ramp sections are spliced together using 2x4 frame splice. Attach splice to one of the ramp sections using the supplied 5/16"x3/4" carr. bolts, insert bolts into the square holes of the frame rail and through the frame splice, place the 5/16" flat washer, and 5/16" selflock nut on the outside edge of ramp section and tighten down. Position the next ramp section and repeat these steps.

NOTE: Make sure handrail clamps are running the same way from section to section or attaching the handrail is impossible.

Attaching Ramp to Landings

Move the ramp to its location on the landing and adjust the height of the ramp to the landing. Insert a 5/16"x3/4" flange head bolt through the 1/2" slot located a 1/2" in from each side of the openings on landing. Finish with a washer and a 5/16" selflock nut on the outside of landing. Line up the longer slot in the ramp attachment clip with the 1" slot in the frame rail at the end of the ramp. Insert 5/16"x3/4" flange head bolt through the longer slot of the ramp attachment clip and the 1" slot in the frame rail. Finish with a washer and a 5/16" selflock nut on the outside edge of the ramp.



Attaching 4" Foot

On bottom ramp sections 4" feet will need to be installed at the end of the ramp run (where the ramp rest on the ground). Using the square hole closest to the end of ramp insert a 5/16"x3/4" carr. bolt from the inside out, run the bolt through the slotted hole in the 4" foot, use 5/16" flat washer and 5/16" selflock nut finger tighten in place. After making sure the 4" feet are level to the ground finish tightening hardware the rest of the way.

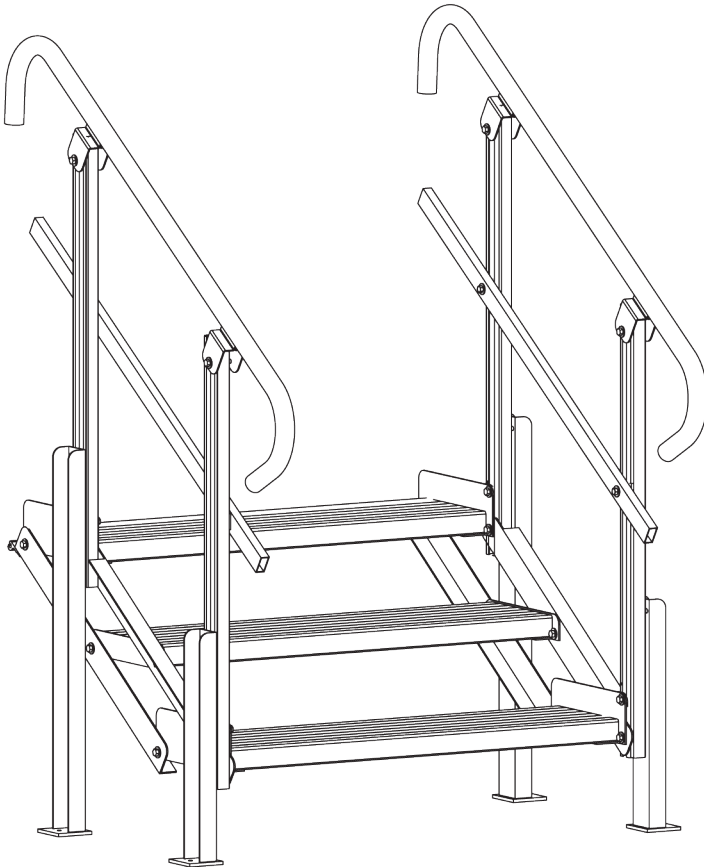
NOTE: Handrails must be attached to the ramp before installing legs.



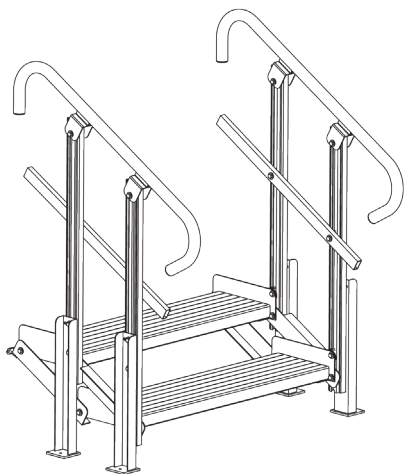
Prairie View Industries, Inc.

Section 5

Modular Ramp Stair Instructions



Two (2) Step Stair Parts List



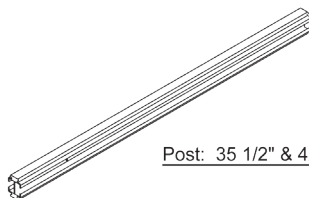
Slide Nut



Leg: 18"



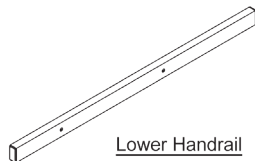
XP Stair Bracket



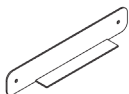
Post: 35 1/2" & 42"



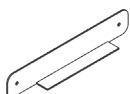
Upper Handrail



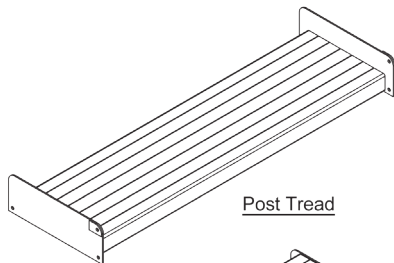
Lower Handrail



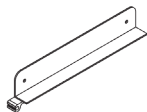
Upper Frame Angle Left



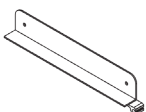
Upper Frame Angle Right



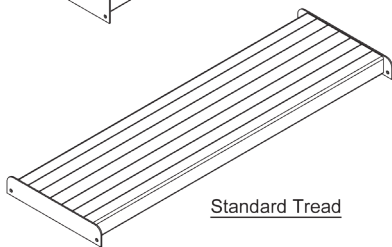
Post Tread



Lower Frame Angle Right

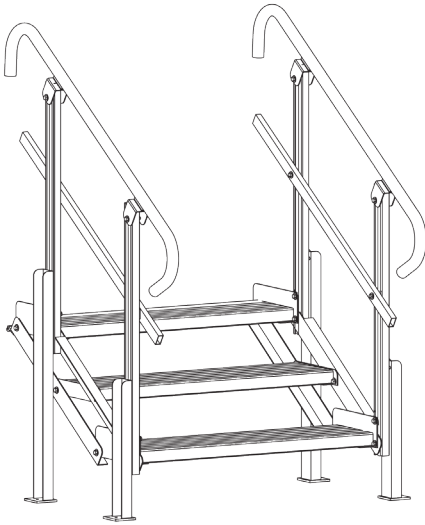


Lower Frame Angle Left



Standard Tread

Three (3) Step Stair Parts List



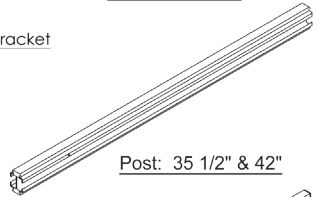
Slide Nut



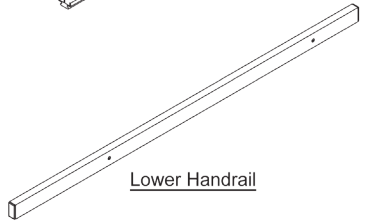
Legs: 18" & 30"



XP Stair Bracket



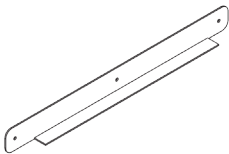
Post: 35 1/2" & 42"



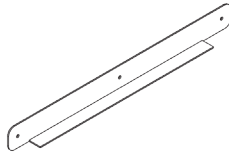
Lower Handrail



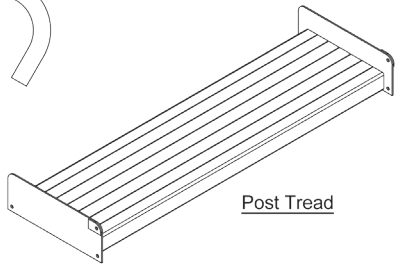
Upper Handrail



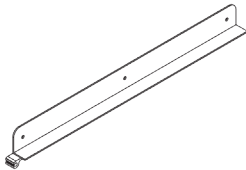
Upper Frame Angle Right



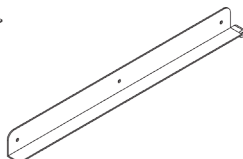
Upper Frame Angle Left



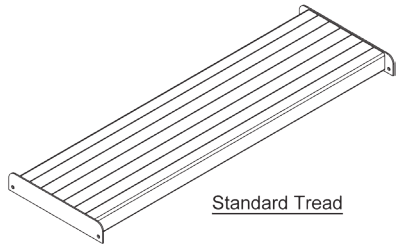
Post Tread



Lower Frame Angle Right

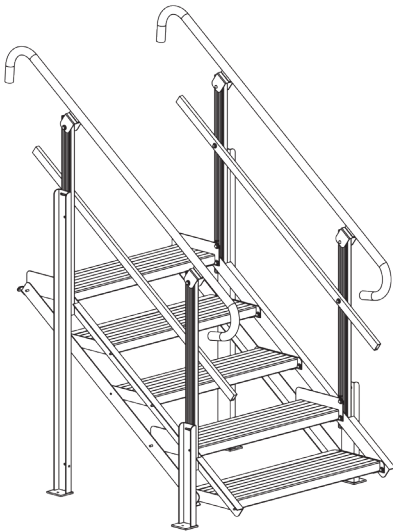


Lower Frame Angle Left



Standard Tread

Five (5) Step Stair Parts List



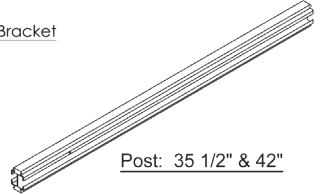
Slide Nut



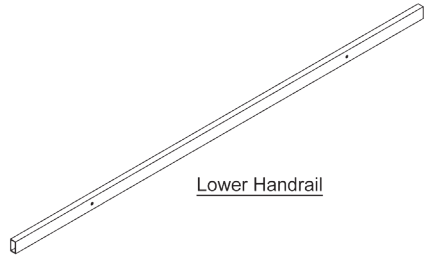
Legs: 18" & 54"



XP Stair Bracket



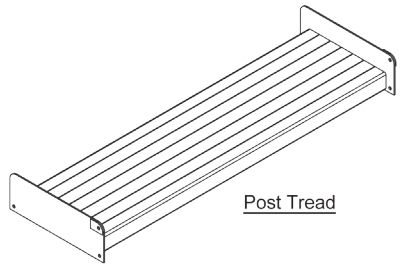
Post: 35 1/2" & 42"



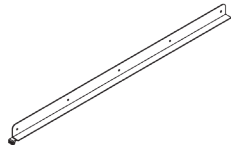
Lower Handrail



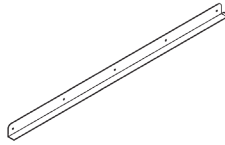
Upper Handrail



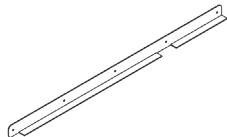
Post Tread



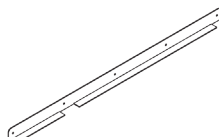
Lower Frame Angle Right



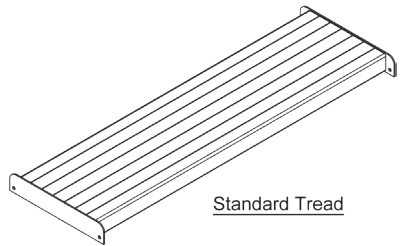
Lower Frame Angle Left



Upper Frame Angle Right

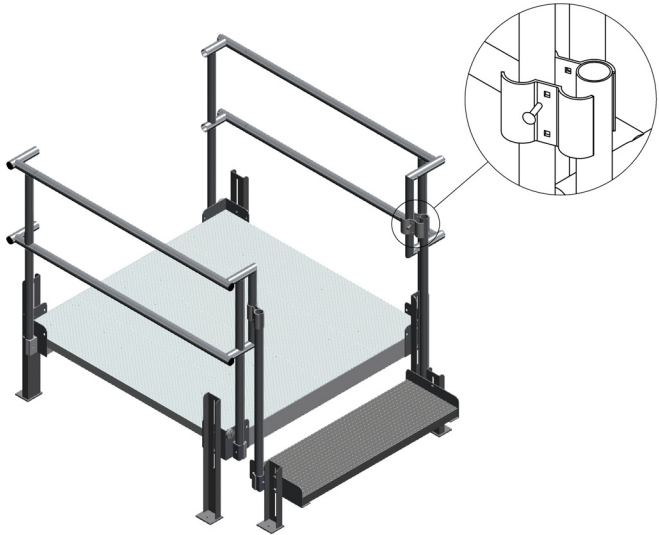
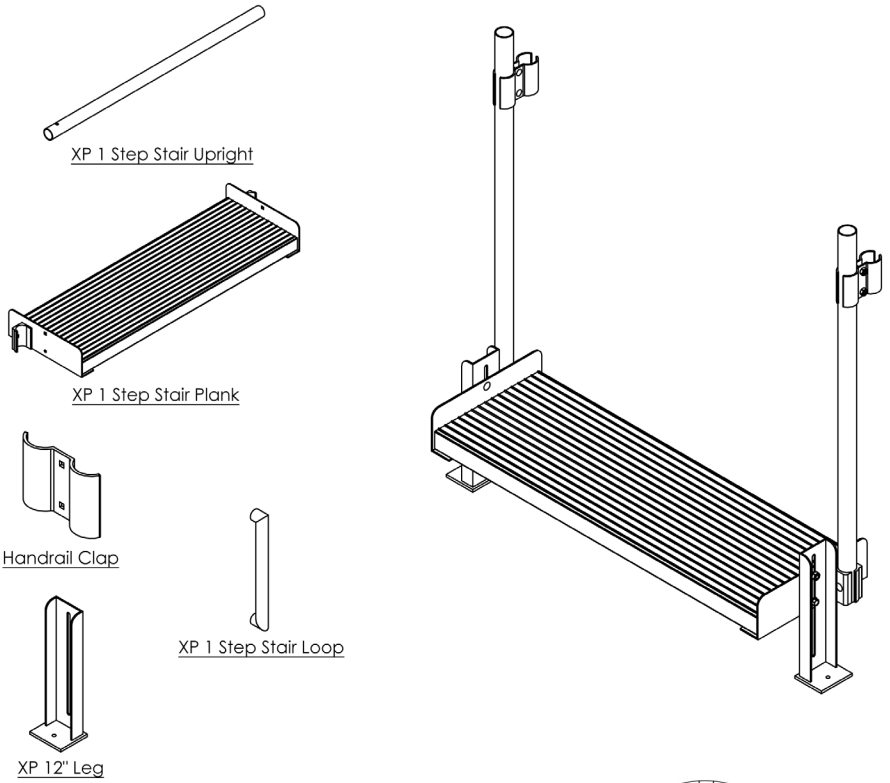


Upper Frame Angle Left



Standard Tread

One (1) Step Stair Assembly



Stair Frame Assembly

Note: Following instructions are for 2 step stair assembly. Instructions apply similarly for 3 and 5 step stairs.

Place two lower frame angles, right and left, on floor with 1 1/2" lip of angles facing each other. Place two post tread planks in-between with single hole on post tread plank toward the back. Line holes up with holes in lower frame angles. Insert a 5/16" x 3/4" flange head bolt into each of the holes connecting lower frame angles to post tread plank. Finish with a 5/16" washer and lock nut on opposite side. (See **Figure 5.1**)

With post tread plank connected to lower frame angle, connect the post tread plank to the upper frame angle.

Place one upper frame angle on each side of stairs with larger notch facing down and 1 1/2" lip on top facing out. (See **Figure 5.1**) Align upper frame angle with bottom hole towards the front of post tread plank. Insert a 5/16" x 3/4" flange head bolt into each of the holes connecting upper frame angles to post tread plank. Finish with slide nut on opposite side. Insert a 5/16" x 3/4" flange head bolt in remaining holes, with a 5/16" washer and slide nut on opposite side. (See **Figure 5.1**) Now you should have successfully assembled the basic stair frame.

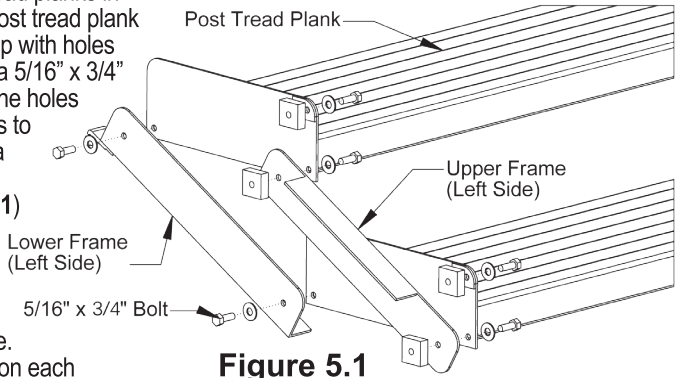


Figure 5.1

Next, install the 35 1/2" post. Four posts will be located at all four area's where two slide nuts line up together. With welded tab on post facing to the inside, slip the slide nut into the groove of post. Continue sliding post down into other slide nut until welded tab on post sits directly on top of post tread plank. (See **Figure 5.2**) Repeat steps with remaining three posts. You may tighten only top bolts on post tread plank that connect post to post tread plank.

Next, install legs. With channels of leg facing you, insert a 5/16" x 3/4" flange head bolt into slot at top of leg and single hold 4 3/4" down. Place slide nut on opposite side. Repeat these steps on remaining three legs. (See **Figure 5.2**) The longer legs, if different, will

always go on the back 35 1/2" posts. Now line up the slide nuts with grooves on posts. Begin sliding the legs up posts inserting the second slide nut when you get to it. Once attached, you may temporarily tighten them to keep them in place. Repeat these steps on the opposite side. (See **Figure 5.2**)

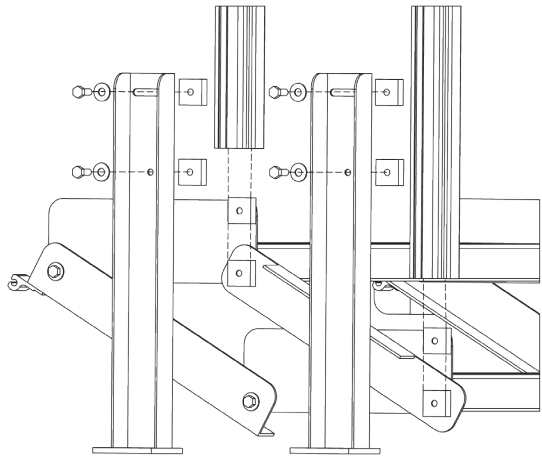


Figure 5.2

Next, install lower 1 1/2" x 3/4" handrail tube. Insert 5/16" x 1 1/2" hex bolt in holes with a 5/16" washer and slide nut on opposite side. With shorter end of tube towards bottom of stairs, line slide nuts on lower handrail up with inside groove of 35 1/2" post. (NOTE: Remove cap at top of each post to install handrail.) Slide Lower handrail down until approximately half way down post. Tighten a little so it does not slide down. (See **Figure 5.3**) Next, take the two upper handrails and insert into each hole on the brackets a 5/16" X 3/4" flange head bolt and a slide nut on opposite ends. Line slide nuts up with top of each post, placing each slide nut in with the grooves on each side of the posts. Slide these down until handrail rests on posts. Tighten upper and lower handrails down snug. (See **Figure 5.3**)

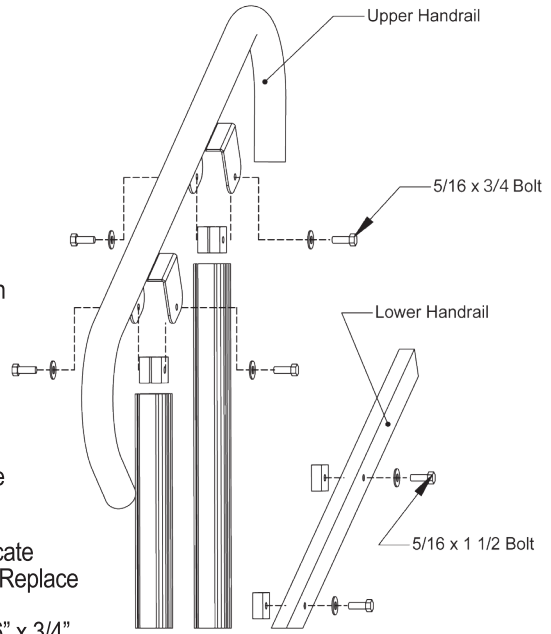


Figure 5.3

Install the stair bracket onto landing. Locate where you will be placing stair on landing. Replace existing post on landing with 42" posts. Insert into round hole in stair bracket a 5/16" x 3/4" flange head bolt and slide nut on opposite side. This is then installed on the lower inside face of 42" post. Slide up, then tighten. Repeat this step on opposite side. (See **Figure 5.4**)

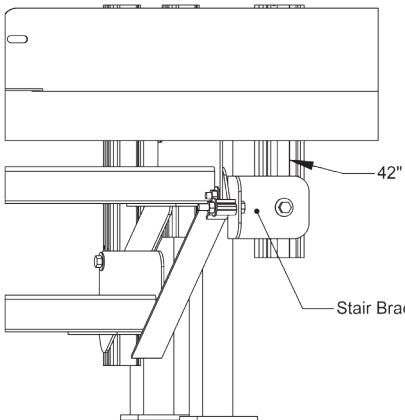


Figure 5.4

With stair bracket installed, line stair up with brackets. Pick up top step until hinge of lower frame angle lines up with slot on 2" leg of bracket. Insert through hole and hinge a 5/16" x 1 3/4" hex bolt with a 5/16" washer and a washer and lock nut on opposite side. (See **Figure 5.4**)

Adjust to required height. Make sure everything is level. Tighten down all bolts. Check to be sure everything is tight and in place. Anchor stairs to ground through the holes in the base of each leg with anchor bolts. (See **Figure 5.5**)

Stair/Landing Configuration



Figure 5.5

PRAIRIE VIEW INDUSTRIES, INC.

LIMITED WARRANTY

1. LIMITED LIFETIME WARRANTY—THE FOLLOWING APPLIES TO ALL END PURCHASERS OTHER THAN RESIDENTS OF THE STATE OF CALIFORNIA*:

PRAIRIE VIEW INDUSTRIES, INC. warrants to the original end purchaser of the product that the product is free from defects in material and workmanship under normal use and service. This warranty does not apply to any product that has been subject to misuse, abuse, neglect, alteration, accident, usage not in accordance with product instructions, acts of God, or improper installation, or that has been used for rental purposes or repaired by someone other than PRAIRIE VIEW INDUSTRIES, INC. This warranty does not cover normal deterioration of the product due to wear and exposure.

***(FIVE YEAR WARRANTY—THE FOLLOWING APPLIES TO RESIDENTS OF THE STATE OF CALIFORNIA:** For a period of five years after the purchase of the product by the original end purchaser of the product, PRAIRIE VIEW INDUSTRIES, INC. warrants to the original end purchaser of the product that the product is free from defects in material and workmanship under normal use and service. This warranty does not apply to any product that has been subject to misuse, abuse, neglect, alteration, accident, usage not in accordance with product instructions, acts of God, or improper installation, or that has been used for rental purposes or repaired by someone other than PRAIRIE VIEW INDUSTRIES, INC. This warranty does not cover normal deterioration of the product due to wear and exposure.)

2. This warranty is limited to repairing or replacing, at the option of PRAIRIE VIEW INDUSTRIES, INC., any product that is returned to PRAIRIE VIEW INDUSTRIES, INC. and is reasonably determined by PRAIRIE VIEW INDUSTRIES, INC. to be defective. The repair or replacement of a defective product under this warranty will be made by PRAIRIE VIEW INDUSTRIES, INC. without charge for parts or labor. This excludes shipping or delivery charges to and from PRAIRIE VIEW INDUSTRIES, INC.'s place of business. If the product has been discontinued, PRAIRIE VIEW INDUSTRIES, INC. may replace the product with a new product of comparable value and function. PRAIRIE VIEW INDUSTRIES, INC. also reserves the right to refund the purchase price as its exclusive warranty remedy.

3. Any claim alleging that the product fails to conform to this warranty may be made only by the original end purchaser and only while such purchaser owns the product. A defective product that is covered by this warranty must be returned, at the purchaser's expense, along with proof of date of original purchase (such as receipt, check or other document PRAIRIE VIEW INDUSTRIES, INC. deems acceptable that shows the date of purchase and the identity of the product and purchaser), along with a description of the alleged defect, to PRAIRIE VIEW INDUSTRIES, INC., 2620 Industrial Drive, Fairbury, Nebraska 68352.

4. EXCEPT AS SET FORTH HEREIN, PRAIRIE VIEW INDUSTRIES, INC. MAKES NO WARRANTIES, EXPRESSED OR IMPLIED, AND PRAIRIE VIEW INDUSTRIES, INC. DISCLAIMS AND NEGATES ALL OTHER WARRANTIES, INCLUDING, WITHOUT LIMITATION, IMPLIED WARRANTIES OF MERCHANTABILITY, FITNESS FOR A PARTICULAR PURPOSE, CONFORMITY TO MODELS OR SAMPLES, OR ANY WARRANTIES OR INDEMNITIES AGAINST INTELLECTUAL PROPERTY INFRINGEMENT.

SOME STATES DO NOT ALLOW LIMITATIONS ON IMPLIED WARRANTIES, SO THESE LIMITATIONS MAY NOT APPLY TO YOU. IN NO EVENT WILL PRAIRIE VIEW INDUSTRIES, INC. BE LIABLE FOR ANY INDIRECT, SPECIAL, INCIDENTAL, OR CONSEQUENTIAL DAMAGES OR FOR ANY LIABILITY IN EXCESS OF THE PURCHASE PRICE OF THE PRODUCT.

5. Before using the product, the purchaser must first determine the suitability of the product for its intended use, and the purchaser assumes all risk and liability whatsoever in connection therewith.

6. No person, agent, distributor, dealer or company is authorized to change, amend or modify the terms of this warranty.

7. This warranty gives the purchaser specific legal rights, and the purchaser may also have other rights that vary from state to state.

8. The purchaser may not assign the purchaser's rights or obligations under this warranty without the prior written consent of PRAIRIE VIEW INDUSTRIES, INC.