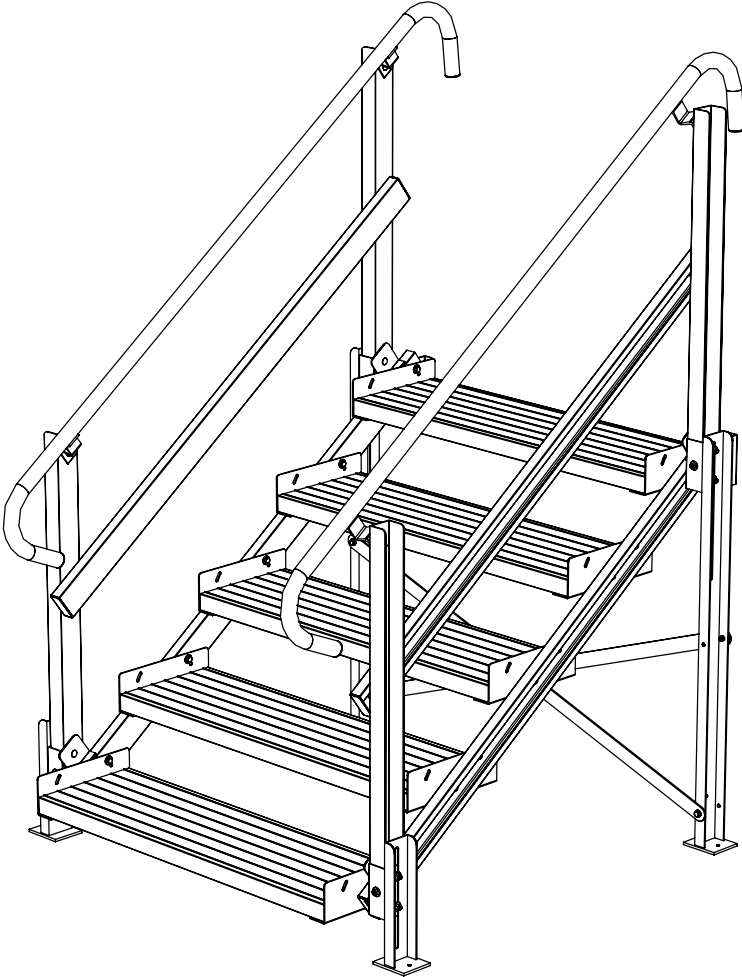


PRAIRIE VIEW INDUSTRIES

MODULAR STAIR MANUAL



Prairie View Industries

OVERVIEW

APPEARANCE: The PVI Modular Stair System with handrail has a clean uncluttered appearance that will fit in most surroundings.

LOW MAINTENANCE: All aluminum design has lifetime durability in all kinds of climates without periodic painting or renewal of preservatives. The aluminum alloys used are resistant to salt corrosion (noncorrosive or pet safe salt is recommended). The modular stair system may even be used in coastal areas and cold climates that require the use of deicers.

SEMI PERMANENT: The PVI Modular Stair System serves the purpose as well or better than a permanent concrete/wooden stair, but can still go along with the user if they move, or can be removed and resold when no longer needed. The PVI Modular Stair System is designed to be freestanding and completely independent of the existing structure. In most cases this simplifies compliance with local codes and may eliminate the requirement for a permit.

EASY INSTALLATION: The components of the PVI Modular Stair System are designed to be quickly and easily assembled with simple/common hand tools and set into place without the need for heavy construction equipment. A van, pickup, or small trailer is all that is needed to transport the stair components to the job site.

SHIPPING: The PVI Modular Stair System components are stocked and warehoused so in most cases an order can be quickly filled and shipped. The lightweight aluminum design and plant location make it economical to ship to any part of the country.

COMPONENTS:

TREAD WIDTH: 40"

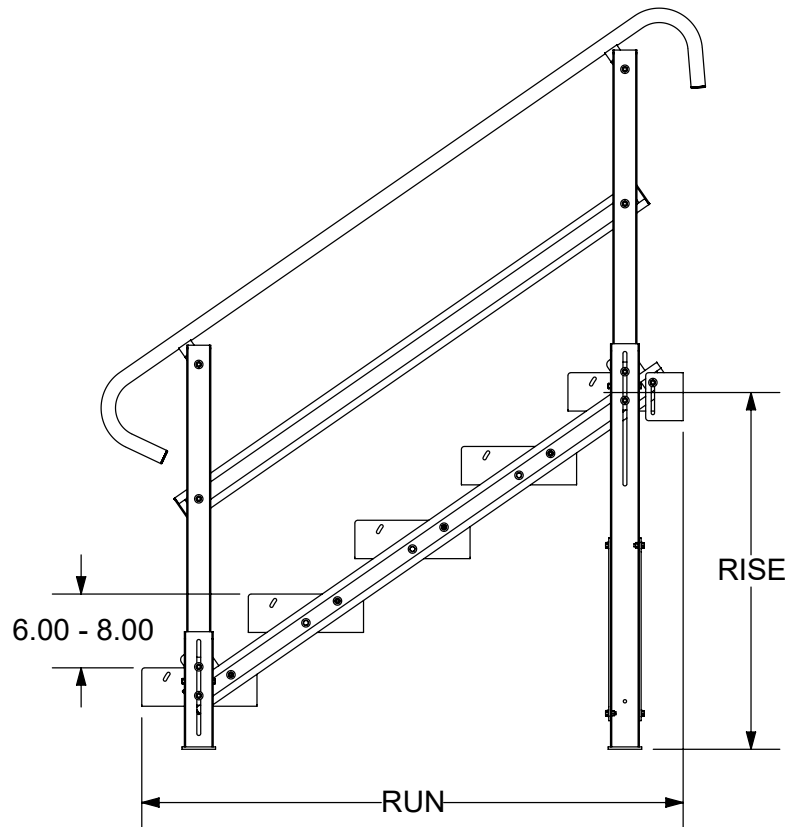
TREAD DEPTH: 12"

TREAD RISERS: Adjustable 6" - 8"

#STEPS	RISE	RUN	WEIGHT
2 STEPS	12" to 16"	22.75" to 24"	48 lbs.
3 STEPS	18" to 24"	33.75" to 36"	62 lbs.
4 STEPS	24" to 32"	44.75" to 48"	80 lbs.
5 STEPS	30" to 40"	55.75" to 60"	93 lbs.
6 STEPS	36" to 48"	66.75" to 72"	108 lbs.

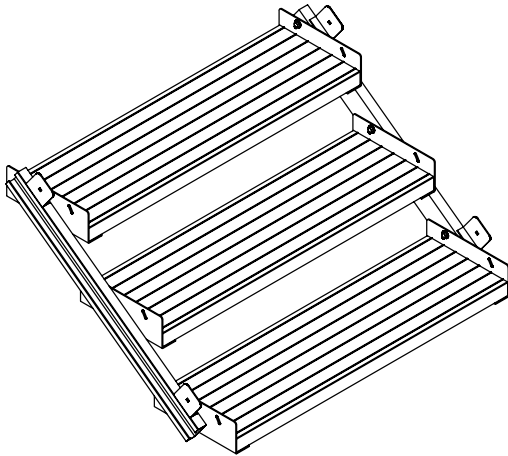
TOOLS REQUIRED

- RATCHET
- 1/2" DEEP WELL SOCKET
- 1/2" WRENCH
- 1/4" MASONRY BIT
- TAPE MEASURE
- BUBBLE LEVEL

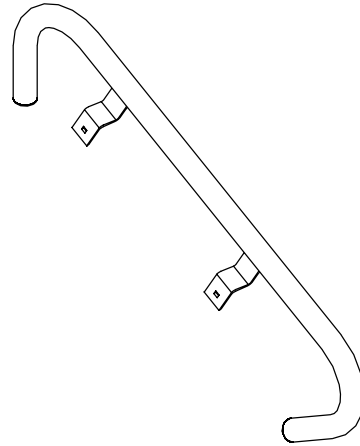


XP3-STAIR PARTS

STRINGER ASSEMBLY



HANDRAIL ASSEMBLY



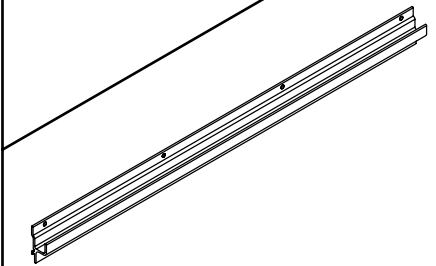
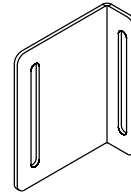
STAIR POST



KNEE RAIL

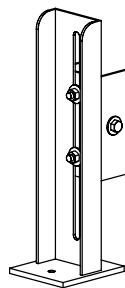
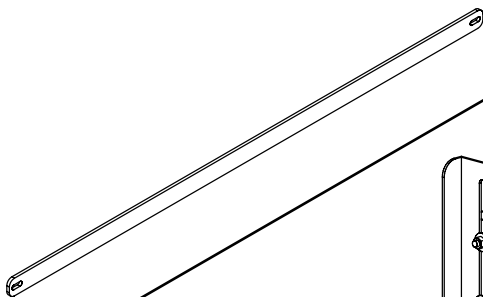


STAIR ATT. BRACKET



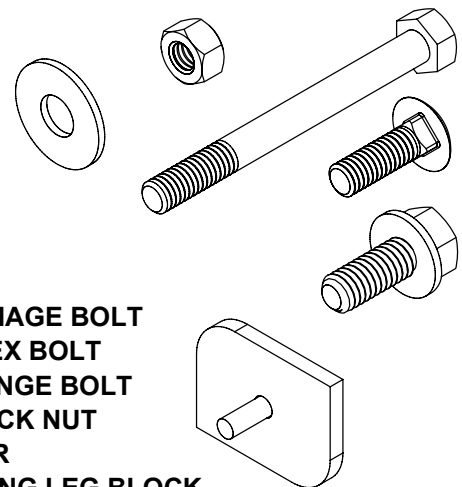
RAMP ATT. BRACKET

LONG LEG SUPPORT STRAP



LEG

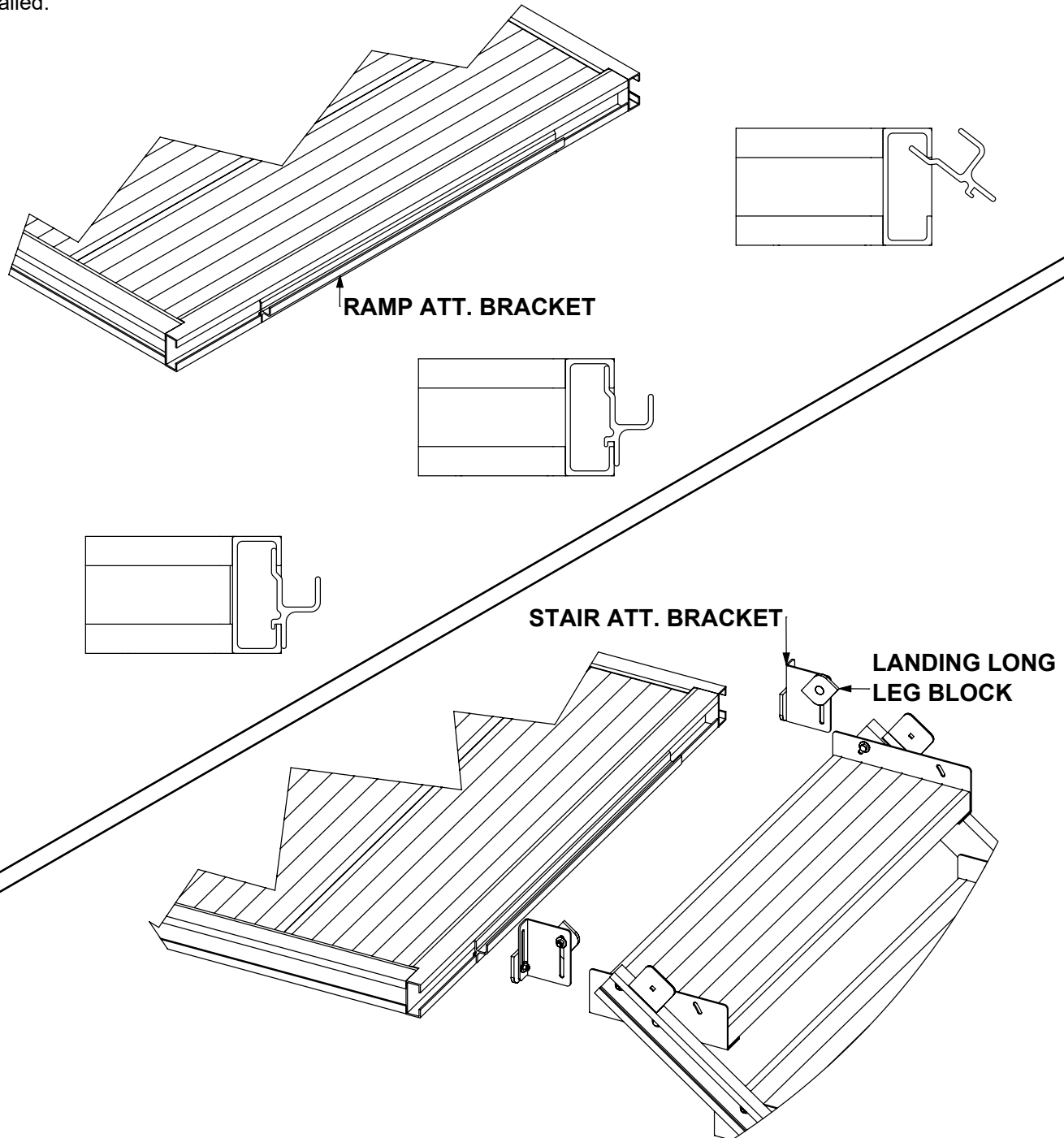
HARDWARE



- 5/16x1 CARRIAGE BOLT
- 5/16x3-1/4 HEX BOLT
- 5/16x3/4 FLANGE BOLT
- 5/16 SELFLOCK NUT
- 5/16 WASHER
- LANDING LONG LEG BLOCK

XP3 STAIR ASSEMBLY

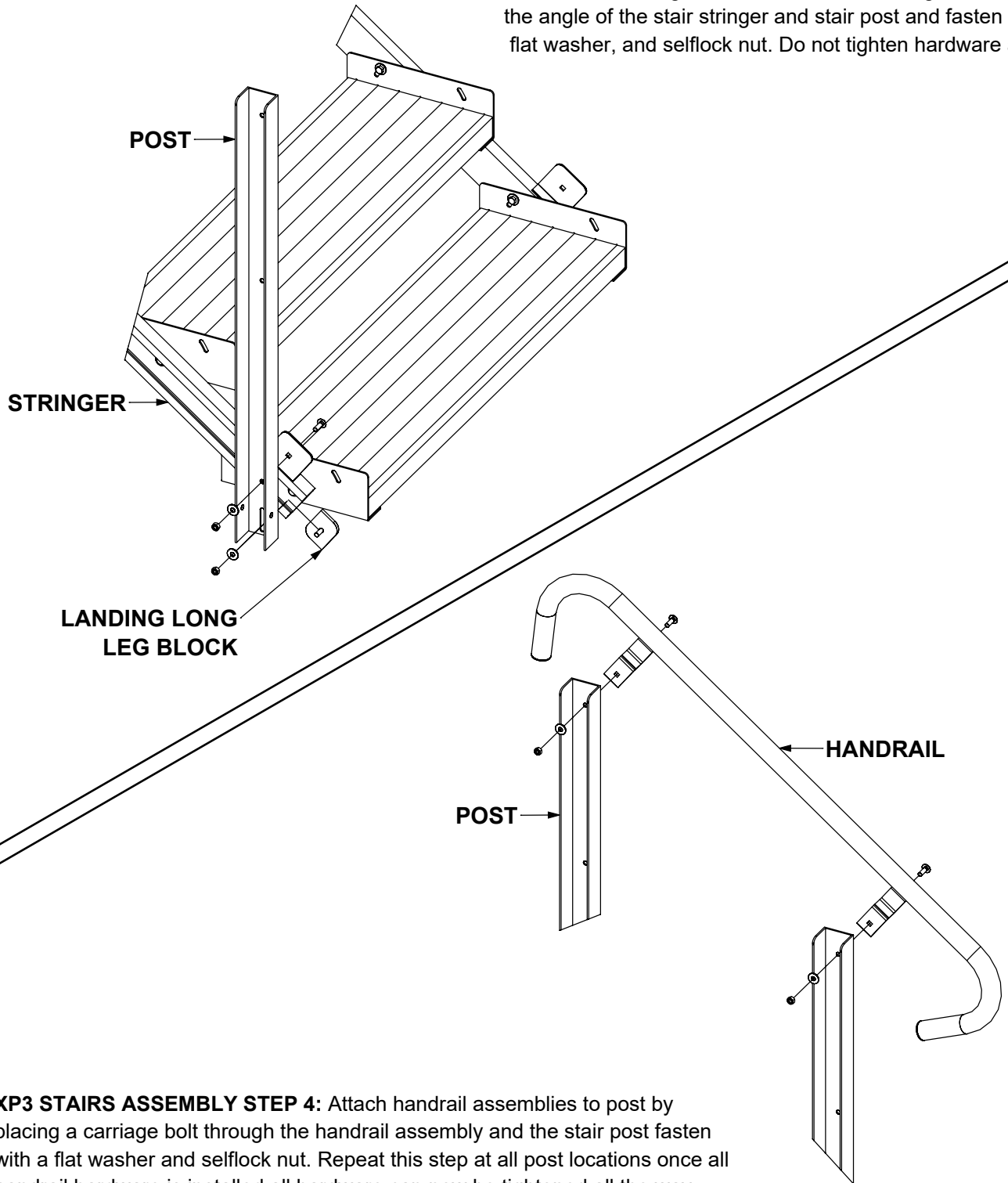
XP3 STAIRS ASSEMBLY STEP 1: Place the ramp attachment clip inside of the landing channel on center with stair location. Place the top plank of the stringer into the channel of the ramp attachment clip. Set step riser height and tighten all stringer hardware, blocks will need to be used to support the bottom step until the legs have been installed.



XP3 STAIRS ASSEMBLY STEP 2: Attach the stair attachment bracket to the stringer and landing base using landing long leg blocks place the stem of the landing long leg block through the slotted hole of the stair attachment bracket next place the landing long leg block into the channel of the landing base and stringer and tighten hardware.

XP3 STAIR ASSEMBLY

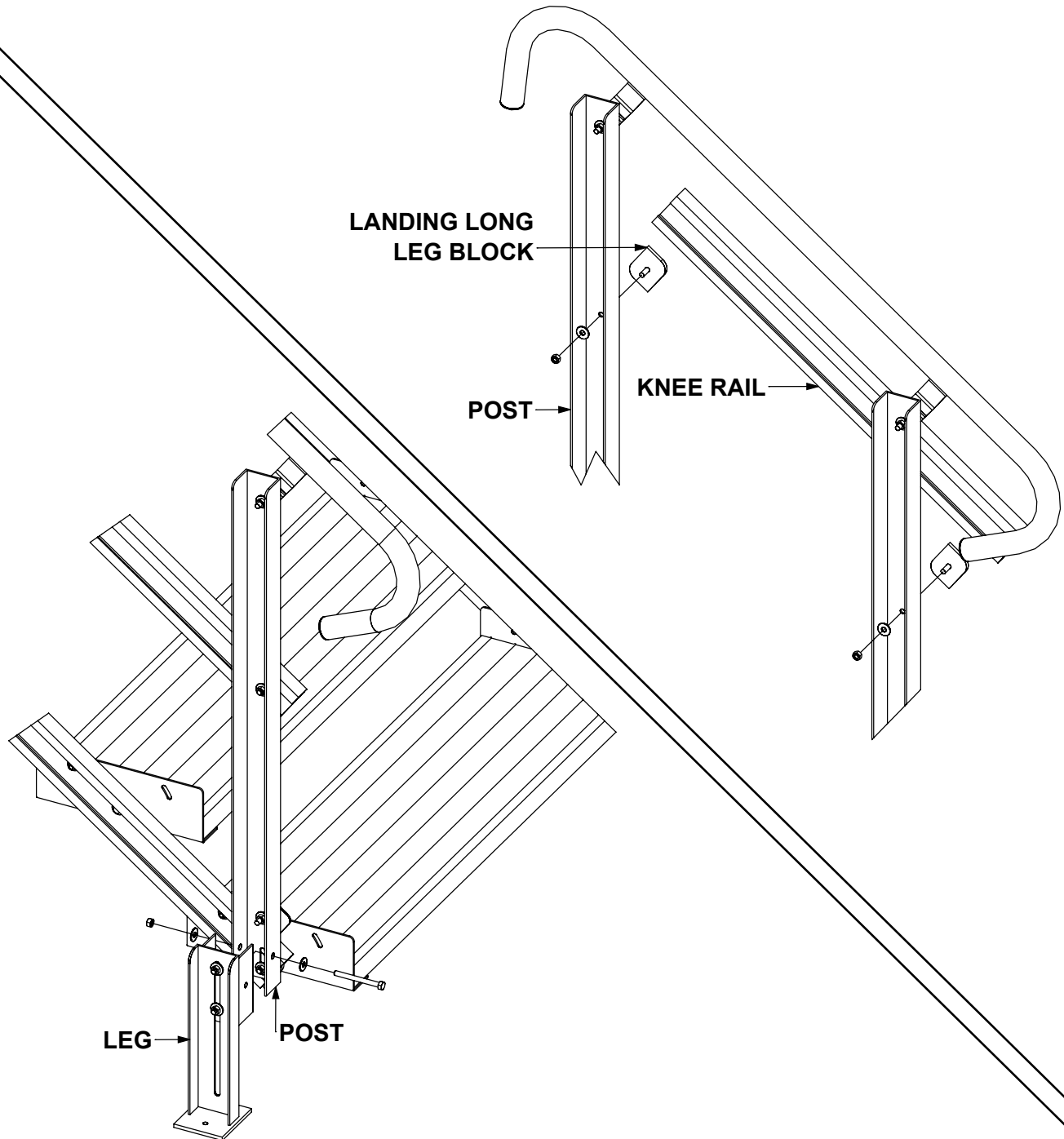
XP3 STAIRS ASSEMBLY STEP 3: Attach stair post to stringer by placing the stem of the landing long leg block through the slotted hole of the stair post, place landing long leg block into stair stringer channel. Place a carriage bolt through the angle of the stair stringer and stair post and fasten with a flat washer, and selflock nut. Do not tighten hardware all the way.



XP3 STAIRS ASSEMBLY STEP 4: Attach handrail assemblies to post by placing a carriage bolt through the handrail assembly and the stair post fasten with a flat washer and selflock nut. Repeat this step at all post locations once all handrail hardware is installed all hardware can now be tightened all the way.

XP3 STAIR ASSEMBLY

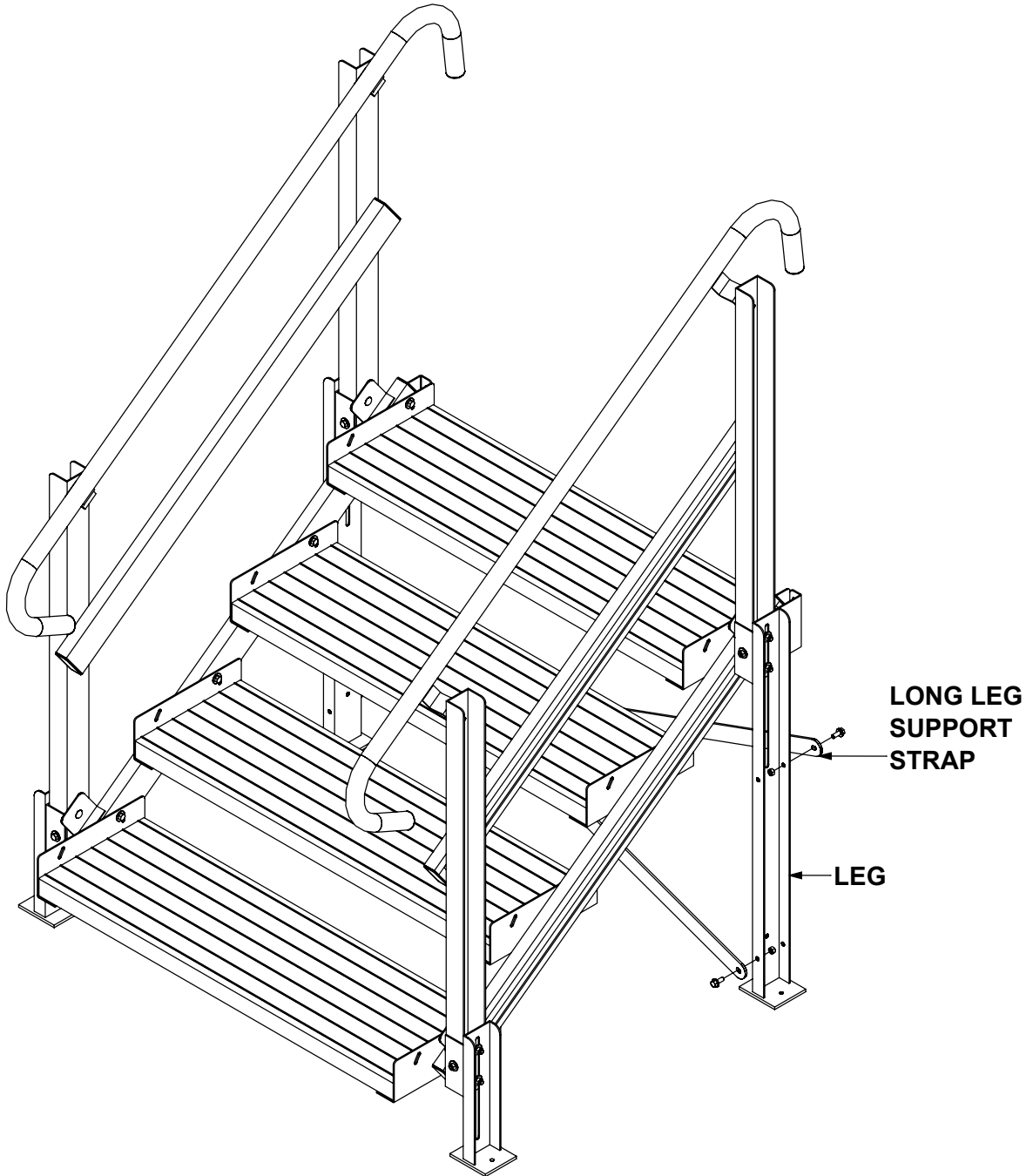
XP3 STAIR ASSEMBLY STEP 5: Attach knee rail to post by placing the stem of a landing long leg block through the hole of the stair post and fasten with a flat washer, and selflock nut. Place the knee rail channel over the landing long leg blocks even the post and tighten hardware.



XP3 STAIR ASSEMBLY STEP 6: Attach legs by placing the leg attachment channel over stair post align the holes and attach using a hex bolt, flat washer, and selflock nut. To adjust the height, loosen the two selflock nuts on the front side of the leg assembly and set height, once height is set re-tighten selflock nuts.

XP3 STAIR ASSEMBLY

XP3 STAIR ASSEMBLY STEP 7: Attach a long leg support strap to the front and back side of each leg using the holes in the ramp leg with a flange bolt, flat washer, and selflock nut.



PRAIRIE VIEW INDUSTRIES, INC.
LIMITED WARRANTY

1. LIMITED LIFETIME WARRANTY-THE FOLLOWING APPLIES TO ALL END PURCHASERS OTHER THAN RESIDENTS OF THE STATE OF CALIFORNIA*:

PRAIRIE VIEW INDUSTRIES, INC. warrants to the original end purchaser of the product is free from defects in material and workmanship under normal use and service. This warranty does not apply to any product that has been subject to misuse, abuse, neglect, alteration, accident, usage not in accordance with the product instructions, acts of God, or improper installation or that has been used for rental purposes or repaired by someone other than PRAIRIE VIEW INDUSTRIES, INC. This warranty does not cover normal deterioration of the product due to wear and exposure.

*(FIVE YEAR WARRANTY-FOLLOWING APPLIES TO RESIDENTS OF THE STATE OF CALIFORNIA: For a period of five years after the purchase of the product by the original end purchaser of the product, PRAIRIE VIEW INDUSTRIES, INC. warrants to the original end purchaser of the product that the product is free from defects in material and workmanship under normal use and service. This warranty does not apply to any product that has been subject to misuse, abuse, neglect, alteration, accident, usage not in accordance with product instructions, acts of God, or improper installation or that has been used for rental purposes or repaired by someone other than PRAIRIE VIEW INDUSTRIES, INC. This warranty does not cover normal deterioration of the product due to wear and exposure.)

2. This warranty is limited to repairing or replacing, at the option of PRAIRIE VIEW INDUSTRIES, INC., any product that is returned to PRAIRIE VIEW INDUSTRIES, INC. and is reasonably determined by PRAIRIE VIEW INDUSTRIES, INC. to be defective. The repair or replacement of a defective product under this warranty will be made by PRAIRIE VIEW INDUSTRIES, INC. without charge of parts or labor. This excludes shipping or delivery charges to and from PRAIRIE VIEW INDUSTRIES, INC.'S place of business. If the product has been discontinued, PRAIRIE VIEW INDUSTRIES, INC. may replace the product with a new product of comparable value and function. PRAIRIE VIEW INDUSTRIES, INC. also reserve the right to refund the purchase price its exclusive warranty remedy.

3. Any claim alleging that the product fails to conform to this warranty may be made only by the original end purchaser and only while such purchaser owns the product. A defective product that is covered by this warranty must be returned, at the purchaser's expense, along with proof of dated of original purchase (such as receipt, check or other document PRAIRIE VIEW INDUSTRIES, INC. deems acceptable that shows the date of purchase and the identity of the product purchaser), along with a description of the alleged defect, to PRAIRIE VIEW INDUSTRIES INC., 2620 Industrial Drive, Fairbury, Nebraska 68352.

4. EXCEPT AS SET FORTH HEREIN, PRAIRIE VIEW INDUSTRIES, INC. MAKES NO WARRANTIES, EXPRESSED OR IMPLIED, AND PRAIRIE VIEW INDUSTRIES, INC. DISCLAIMS AND NEGATES ALL OTHER WARRANTIES, INCLUDING WITHOUT LIMITATION, IMPLIED WARRANTIES OF MERCHANTABILITY, FITNESS FOR ANY PARTICULAR PURPOSE, CONFORMITY TO MODELS OR SAMPLES, OR ANY WARRANTIES OR ANY WARRANTIES OR ANY WARRANTIES OR INDEMNITIES AGAINST INTELLECTUAL PROPERTY INFRINGEMENT.

SOME STATES DO NOT ALLOW LIMITATIONS ON IMPLIED WARRANTIES, SO THESE LIMITATIONS MAY NOT APPLY TO YOU. IN NO EVENT WILL PRAIRIE VIEW INDUSTRIES, INC. BE LIABLE FOR ANY INDIRECT, SPECIAL, INCIDENTAL, OR CONSEQUENTIAL DAMAGES OR FOR ANY LIABILITY MORE THAN THE PURCHASE PRICE OF THE PRODUCT.

5. Before using the product, the purchaser must first determine the suitability of the product for its intended use, and the purchaser assumes all risk and liability whatsoever in connection there with.

6. No person, agent, distributor, dealer or company is authorized to change, amend or modify the terms of this warranty.

7. This warranty gives the purchaser specific legal rights, and the purchaser may also have other rights that vary from state to state.

8. The purchaser may not assign the purchaser's rights or obligations under this warranty without the prior written consent of PRAIRIE VIEW INDUSTRIES, INC.