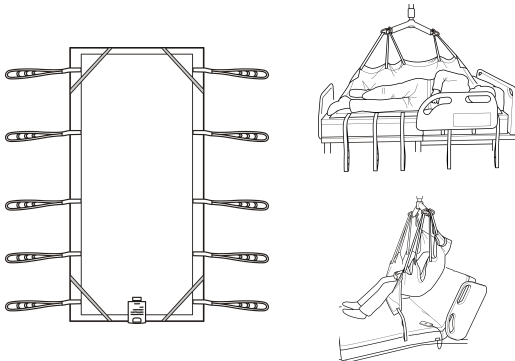


User Instruction Manual

Hoyer® Repositioning Sling

To avoid injury, read user manual prior to use.



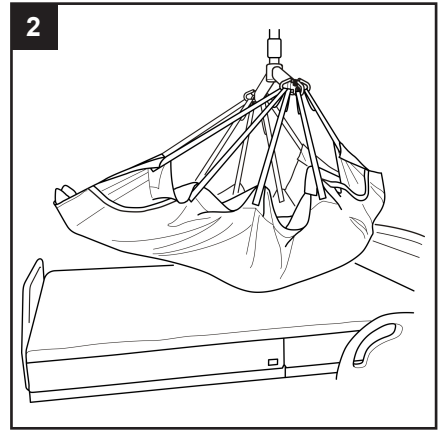
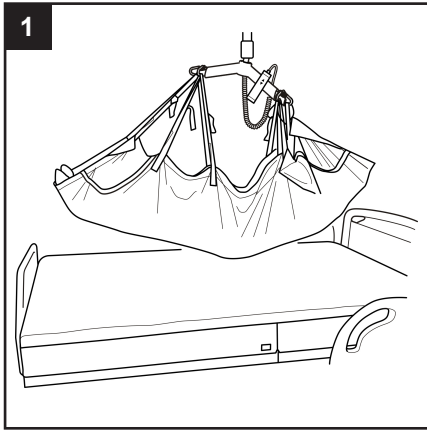
⚠ WARNING

- **JOERNS RECOMMENDS THE USE OF GENUINE HOYER SLINGS.** Hoyer brand slings are approved by Joerns for use on Joerns brand lifts. Slings used on Joerns brand lifts, including Hoyer lifts, must be approved by Joerns.
- For the safety of the patient and carer; before using a sling a full risk assessment must be conducted to ensure that the correct sling choice, method of positioning in the sling and procedure for transfer has been determined for the patient.
- **CHECK** sling and stitching before each use. Using bleached, torn, cut, frayed or broken slings is unsafe and could result in serious injury or death to the patient.
- **DO NOT** alter slings. Destroy and discard worn slings.
- **NEVER** leave a patient unattended.
- **DO NOT** exceed the rated capacity of the sling or lift.
- **DO NOT** attempt to re-position a patient by pulling on the sling loops.

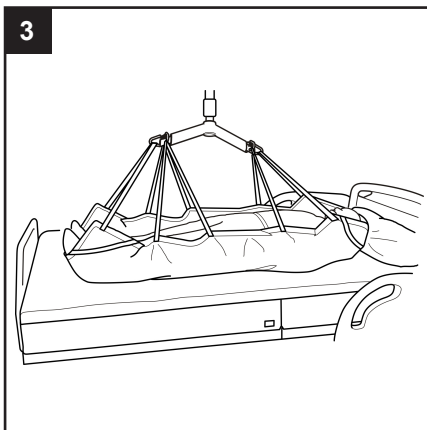
Introduction

The Repositioning Sling is designed to make it more convenient to re-position, turn or transfer the patient or resident. It is made of breathable, pliable mesh material and is normally placed under the top sheet for comfort. Available with two separate strap configurations, standard looped or figure of 8 loops.

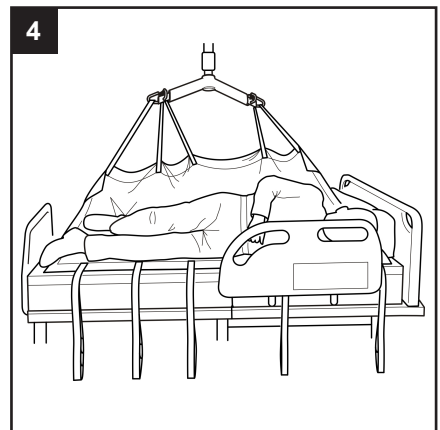
How to Use the Repositioning Sling



For repositioning in bed, lower and position the spreader bar over the patient. The spreader bar may be positioned either parallel (1) or perpendicular (2) to the patient, depending on comfort and application. Connect the straps as shown in either case and raise the patient, ensuring a comfortable, supine position.

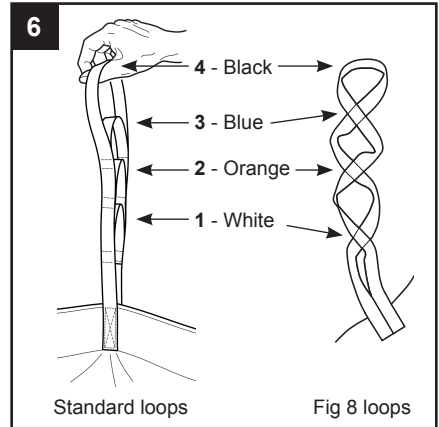
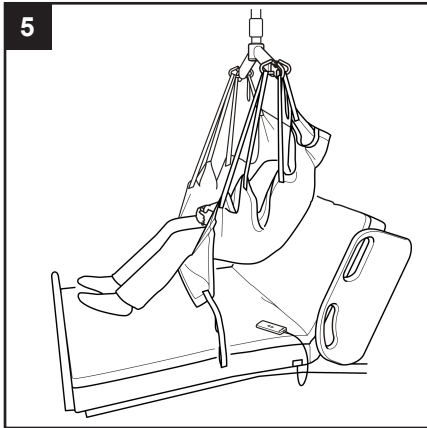


For turning, position the spreader bar in a parallel position over the patient. If the intention is to have the patient in the centre of the bed after completion of the turn, it may be required to reposition the patient to the appropriate side of the bed first.



To turn the patient, ensure only the straps opposite the direction of the turn remain attached to the spreader bar (as shown). Raise the spreader bar to turn the patient. Be sure to use bed siderails and/or an additional caregiver to ensure patient safety throughout.

How to Use the Repositioning Sling



For a seated transfer, position the spreader bar perpendicular to the patient. Starting from the head end of the sling, attach the first straps on each side of the sling to the spreader bar using the WHITE loops. For the second and third straps, attach the BLACK loops and for the fourth set of straps, attach the BLUE loops. The fifth set of straps should not be connected. Double check for secure attachment to the spreader bar and ensure the patient is in a safe and comfortable position before lifting/transferring.

Technical Specifications

STANDARDS	EN ISO 10535, CE
SAFE WORKING LOAD	1000lbs / 454kg

Sizing & Part Numbers

SIZE	STRAP TYPE	PART NUMBER
STANDARD	LOOP	NA25710
	FIG 8	NA25712 (Special order)
WIDE	LOOP	NA25711
	FIG 8	NA25713 (Special order)

Washing Instructions



Machine wash at 185°F.



DO NOT wash with bleach. Bleach will damage the sling's material and make it unsafe for use.



Cool tumble dry, air dry or dry at very low temperature.



DO NOT dry clean.

⚠ WARNING

Slings can suffer damage during washing and drying and should be checked carefully before each use.

Additional slings are available to suit individual needs. Contact your Joerns representative for more information.