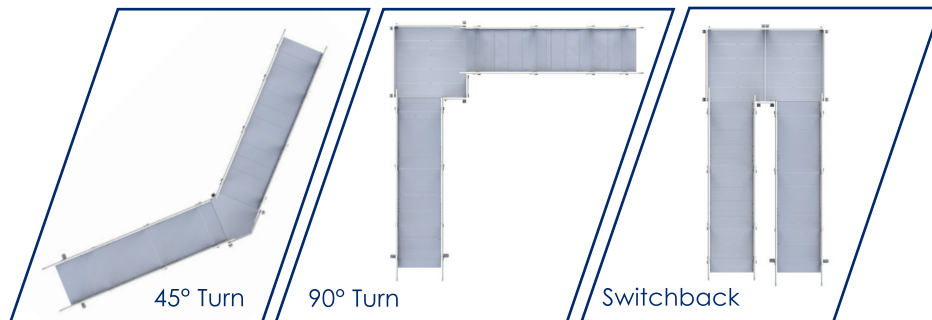




- Ramp sections welded in lengths of 3', 4' & 5'
- Can be easily moved or reconfigured
- Durable and weather resistant
- Little or no site preparation required
- All aluminum construction
- Little or no maintenance
- 45° and 90° turns and switchbacks
- Multiple configurations possible
- ADA handrail extensions, guardrails and gates available
- Accommodates a rise up to 60"
- Comes with a Limited Lifetime Warranty

**Multiple configurations possible!**



Width	36"
Length	As Required - 4' minimum
Load Capacity	100 lbs. per square foot
Slope	Adjustable - as required
Floor	Slip resistant grooved aluminum
Ramp Edge Protection	4" Curb
Handrails	Double 1½" bar - standard height 36"

