

## 1 Drill drawing

dormakaba

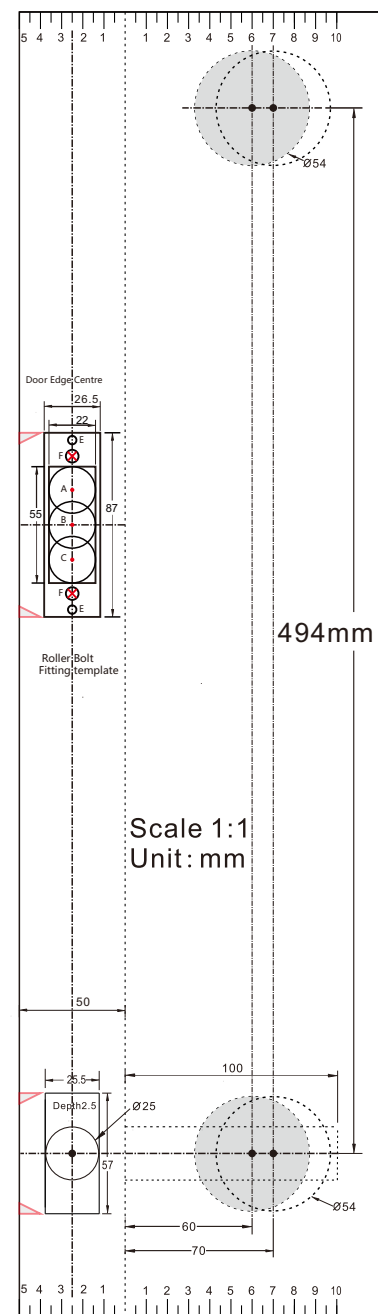
### Tools Required:

1. Pencil
2. Measuring Tape
3. Power/battery drill
4. Chisels
5. 54mm Hole Saw
6. 22mm and 25mm spade bit
7. Phillips Head screwdriver
8. Hex key tool (provided)

Take the template provided, mark the drilling points on the door and drill the 2 door holes with a 54mm hole saw according to the backset desired (60mm or 70mm). Drill the deadbolt hole at the door edge with a 25mm spade bit.

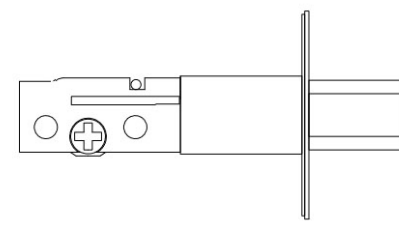
### Note:

1. Be careful to follow template measurements.
2. Door holes must be drilled horizontal.



## 2 Deadbolt installation

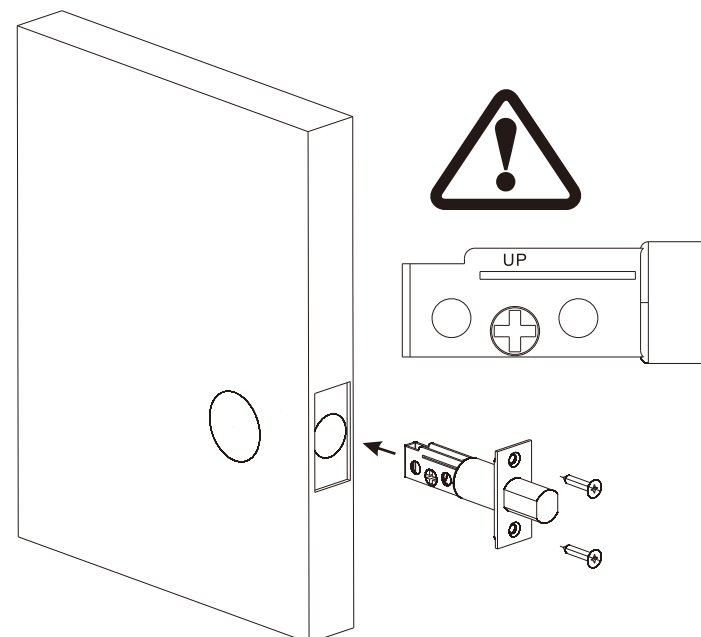
dormakaba



The deadbolt can be adjusted to either 60mm (2-3/8") or 70mm backset (2-3/4").

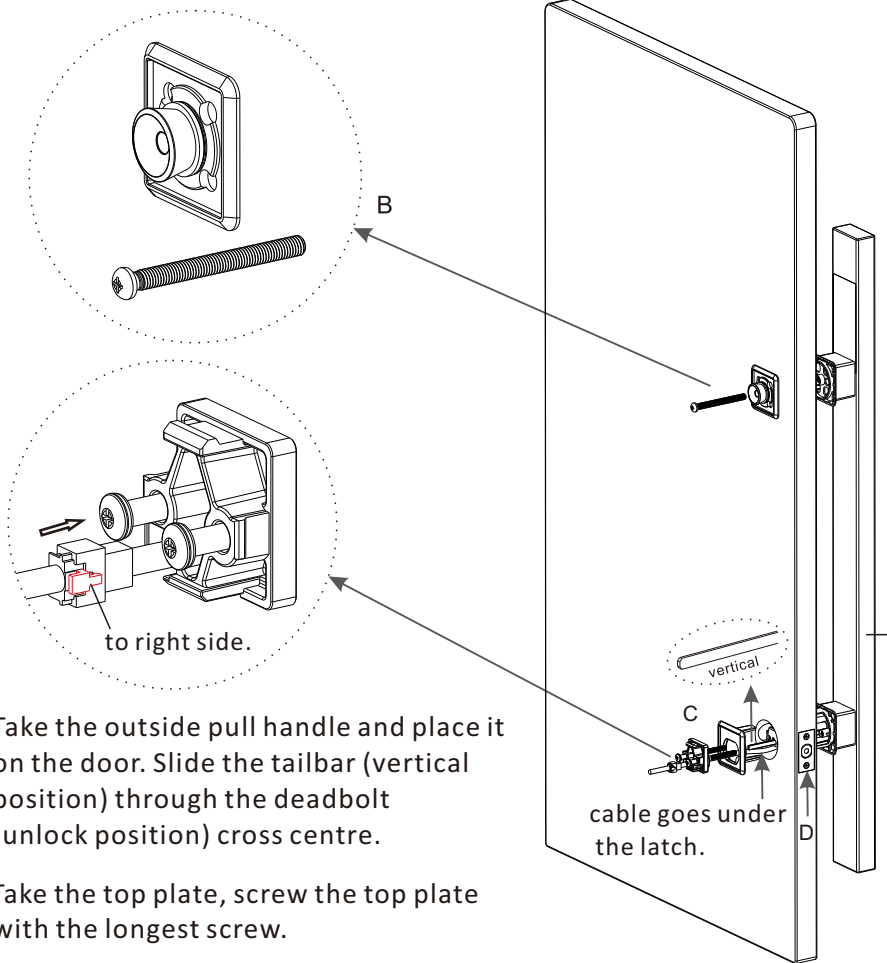
Select the backset (60mm or 70mm) on the deadbolt and place it on the 25mm hole. Mark deadbolt faceplate area on the door edge and chisel it out until it is flush. Install the deadbolt and place the screws in to halfway but don't tighten them yet.

Note: be careful to follow the "up" position.



## 3 Outside handle installation

dormakaba



- Take the outside pull handle and place it on the door. Slide the tailbar (vertical position) through the deadbolt (unlock position) cross centre.
- Take the top plate, screw the top plate with the longest screw.
- Place the bottom plate on the hole, put the bracket provided (passing the cable and tailbar through the bracket holes) on top of the plate. Select screw lengths and place them across the bracket to keep outside pull handle in position.

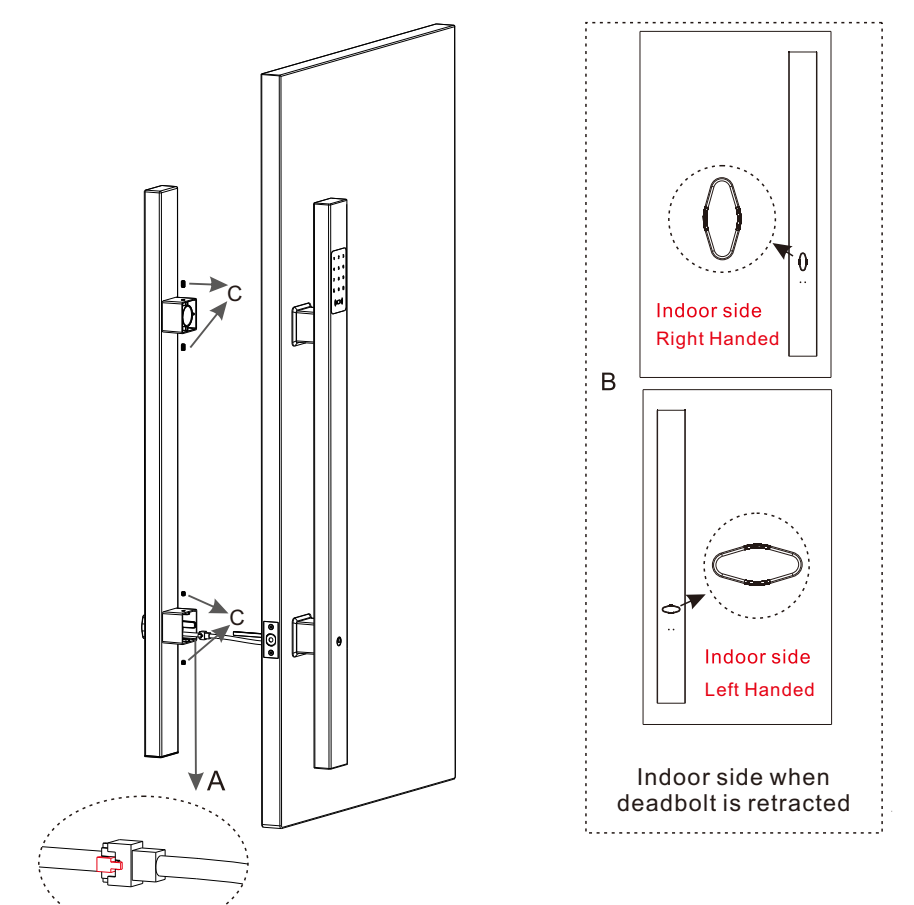
D. Tighten deadbolt screws now.

### Note:

1. Outside and inside bottom plates should fit during installation.
2. At this stage, tailbar should easily be rotated by hand and smoothly locked and unlocked.

## 4 Inside handle installation

dormakaba



- Take the inside pull handle and carefully connect the cable with the outside pull handle cable.
- Be sure the deadbolt is fully retracted, place the inside pull handle on the plates, introducing the tailbar (vertical position) across the deadbolt cross and then in the snib receiver inside the handle (refer to picture above). It should fit perfectly.
- Take the hex key provided and tighten all 4 hex screws on each of the internal pull handle legs.

### Note:

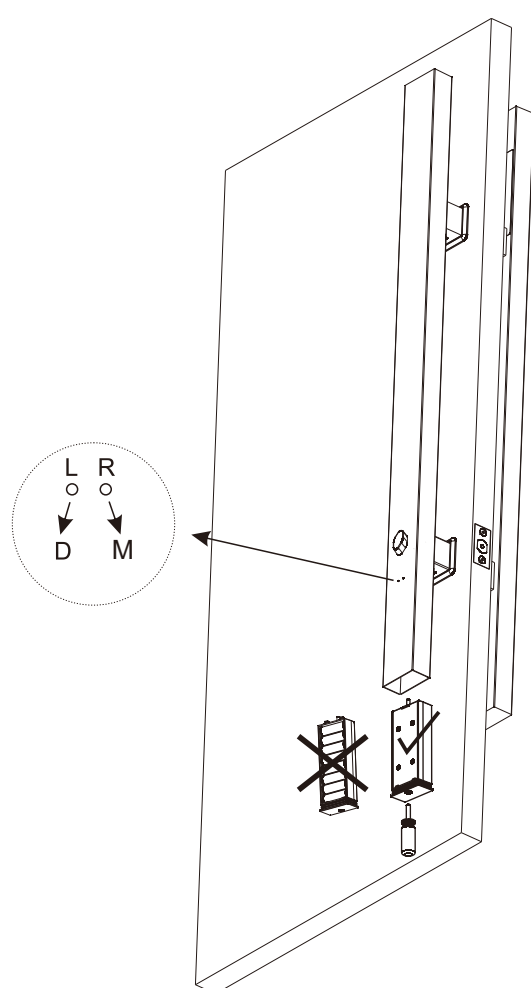
1. The pull handle both sides should be steady.
2. Be careful not to bend connector pins when connecting cables.
3. The snib should lock and unlock the deadbolt easily.

Front ↑ Size:594\*210 Single page size:148.5\*210

Back ↓ Size:594\*210 Single page size:148.5\*210

## 5 Battery pack installation

dormakaba



Place the battery pack in the bottom of the inside handle, tighten the screw and test the Grange pull handle using the lock/unlock symbols on the keypad.

### Note:

1. Be careful to place the battery pack in the correct way.
2. Do not over tighten the screw.

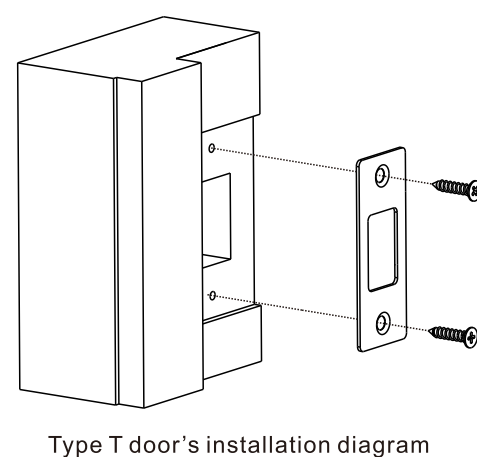
## 6 Strike plate installation

dormakaba

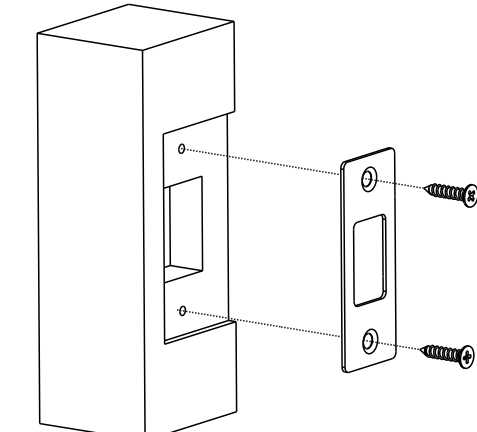
Close the door and mark the strike position and strike faceplate on door frame. Chisel the strike hole and faceplate until strike is flush with the door frame. Close the door and try the Grange pull handle using the snib and the keypad lock/unlock buttons.

Note: Friction between the deadbolt and the strike could cause the product to malfunction.

1. Door should be aligned with the door frame (without any pushing/pulling).
2. Strike and deadbolt must be aligned and centred.
3. Close the door and lock/unlock the lock using the keypad lock/unlock icons.



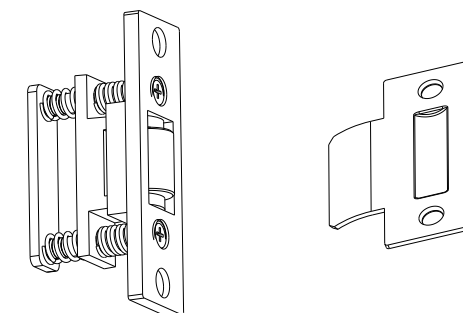
Type T door's installation diagram



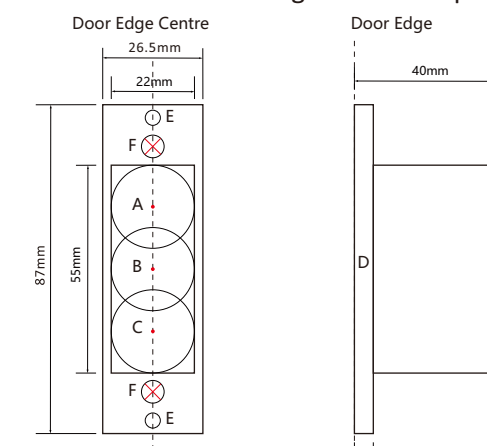
General door's installation diagram

## 7 Roller bolt installation

dormakaba



There is a roller bolt included in the Grange box to help with the alignment.

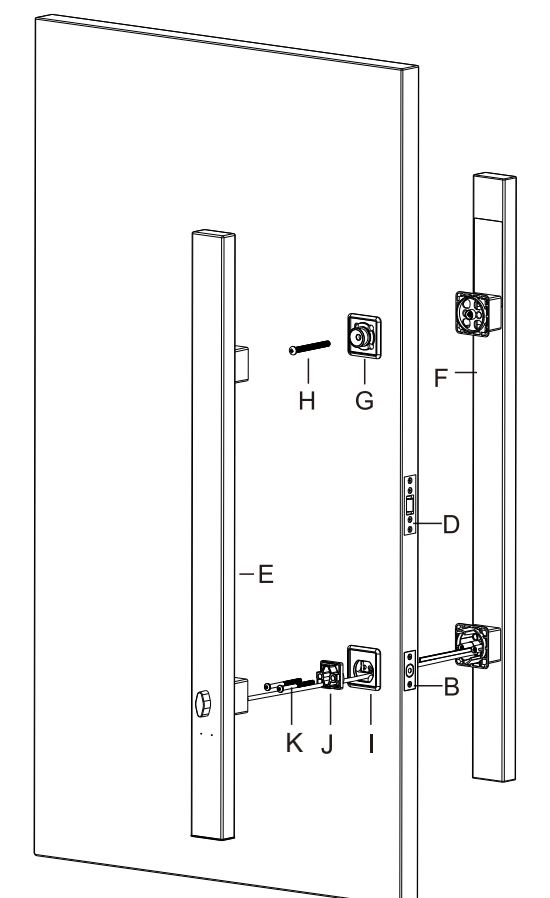


1. Select the desired location of the roller bolt on door edge.
2. Mark the centerline on the door edge.
3. With the template provided, mark the three centres of the holes to be made (A, B and C).
4. Use a 22mm spade bit, bore 3 holes 40mm deep.
5. Using a chisel, square off the holes to create a 22mm x 55mm rectangular opening.
6. Place roller bolt in rectangular opening and scribe around faceplate
7. Check in the roller bolt faceplate with chisel to a depth of 5mm (D).
8. The faceplate should be flush with the door edge. Test roller bolt by pressing on bolt.
9. Fix roller bolt to the door edge using the screws provided (E).
10. Mark and install roller bolt strike plate onto the door frame according to the roller bolt position.
11. The roller bolt tension can be adjusted by tightening or loosening the adjustment screws (F).

## Installation instructions

### Exploded view diagram

dormakaba



- |                             |                   |
|-----------------------------|-------------------|
| A. deadbolt strike plate    | G. screw fittings |
| B. latch                    | H. Pm8 tie-bolt   |
| C. roller bolt strike plate | I. fitting plate  |
| D. roller bolt              | J. bracket        |
| E. inside handle            | K. screws(2pcs)   |
| F. outside handle           |                   |