

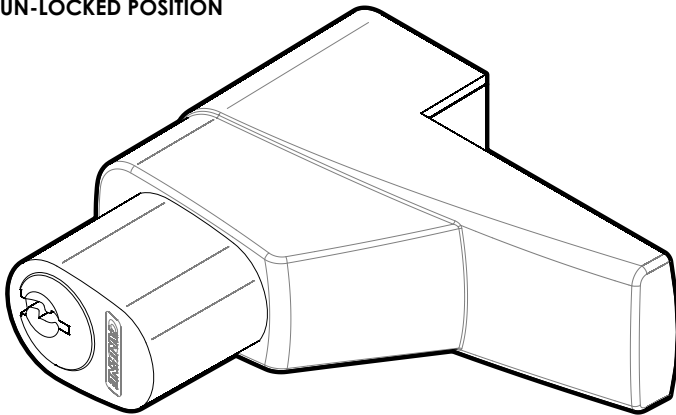
SHOWCASE LOCK SPEC SHEET

KEY FEATURES

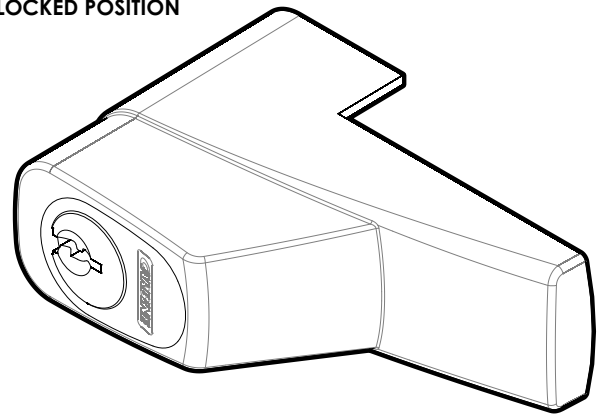
- INTERCHANGEABLE BETWEEN MODES
- BY CHANGING THE REMOVABLE INSERT AND CHANGING THE CONFIGURATION OF THE CYLINDER ASSEMBLY, THE LOCK HAS **3** DIFFERENT OPERATING MODES
- **MODE 1**: SNAP LOCK MODE
- **MODE 1**: LOCK OPEN / CLOSED MODE
- **MODE 3**: KEY RETAIN MODE
- UTILIZES A C530 CYLINDER (STANDARD CYLINDER FOR LOCK)
- CYBER LOCK CYLINDER CAN BE USED (REPLACING THE C530 CYLINDER)
- THE SHOWCASE LOCK UTILIZES A STAINLESS STEEL PIN
- IT CAN RETRO FIT MOST MODELS

EXTERNAL VIEWS

UN-LOCKED POSITION



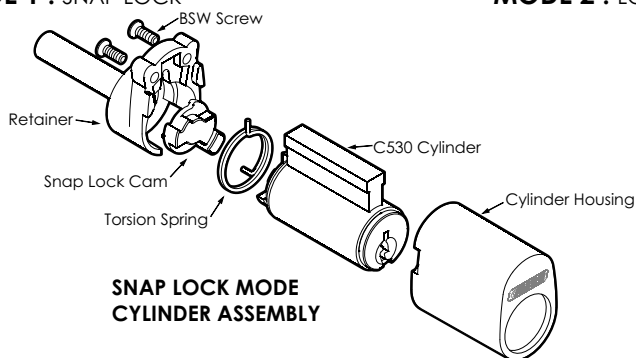
LOCKED POSITION



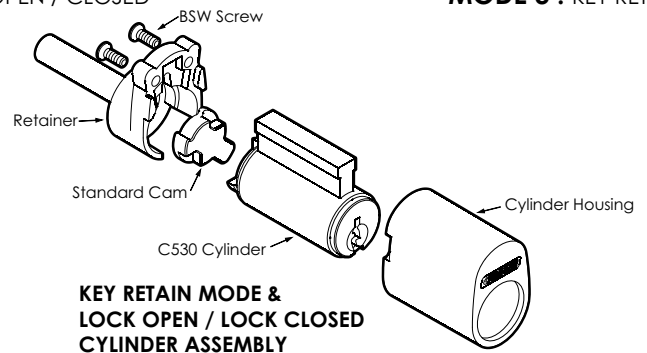
WHAT CAN IT DO?

BY CHANGING THE REMOVABLE INSERT AND CHANGING THE CONFIGURATION OF THE CYLINDER ASSEMBLY, THE LOCK HAS **3** DIFFERENT OPERATING MODES

MODE 1 : SNAP LOCK

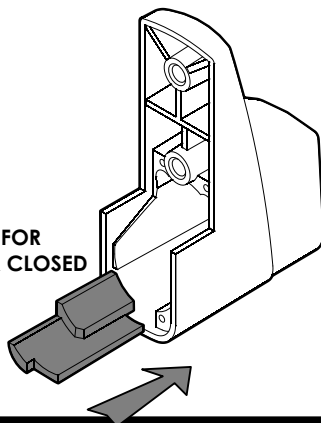


MODE 2 : LOCK OPEN / CLOSED



MODE 3 : KEY RETAIN

STANDARD INSERT FOR LOCK OPEN/LOCK CLOSED MODE



SNAP LOCK INSERT FOR KEY RETAIN AND SNAP LOCK MODE

