



Keyless Digital Deadlatch Installation Guide



An ASSA ABLOY Group brand

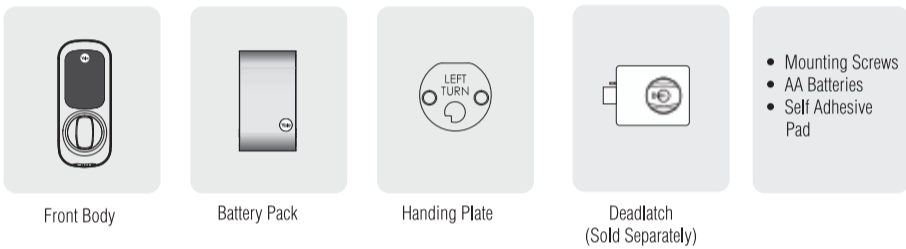
Please read the instructions before fitting and using the Keyless Digital Deadlatch Lock.

The functions and design of this product can be changed without prior notice for performance and quality improvements.

ASSA ABLOY

Installation Hardware

Fit Yale digital lock using hand Phillips driver to avoid cross threading fixing screws. If using a cordless drill please ensure it is set to low speed & torque.



YRD-01-121 Issue 1 0519

Before getting started

Are you installing the Yale Digital Lock with a new Deadlatch?

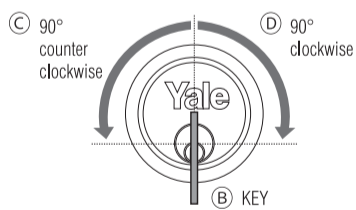
YES, I have bought the Yale Digital Deadlatch with a new Deadlatch to install them onto my door. → Please start from installation step **3** ON THE RIGHT PAGE

NO, I am going to keep using the existing Deadlatch on my door with the Yale digital product. → There are many types of Deadlatches so please start from installation step **1** BELOW, and following the check points for correct installation.

1 Check Point!!!

Please use the key of your existing Deadlatch and check below

- (A) Keep your door open
- (B) Insert the key in the outside cylinder key hole
- (C) Turn the key 90° counter clockwise (to the left) and check the latch fully retracts
- (D) Turn the key 90° clockwise (to the right) and check the latch fully retracts



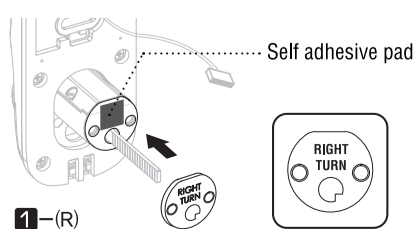
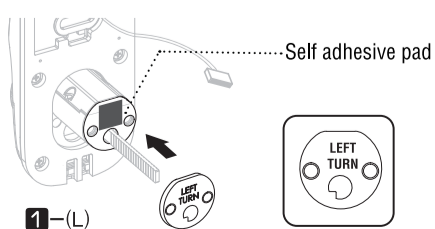
Can you open with your key in both directions? Please go to step **2**

Can you open with your key only in the left direction? Not in the right direction? → Your Deadlatch needs an additional plate. PLEASE GO TO STEP **1** - (L)

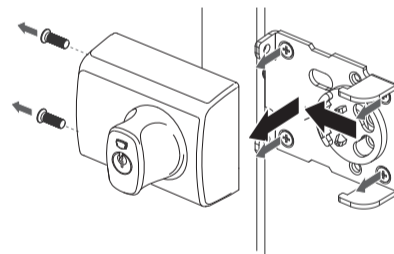
Can you open with your key only in the right direction? Not in the left direction? → Your Deadlatch needs an additional plate. PLEASE GO TO STEP **1** - (R)

Please attach the additional handing plate tightly onto the cylinder fixing surface. The plate must be aligned with the shape. Make sure the 'LEFT TURN' is shown as the image below if your latch is opened only to the LEFT direction by the key.

Please attach the additional handing plate tightly onto the cylinder fixing surface. The plate must be aligned with the shape. Make sure the 'RIGHT TURN' is shown as the image below if your latch is opened only to the RIGHT direction by the key.



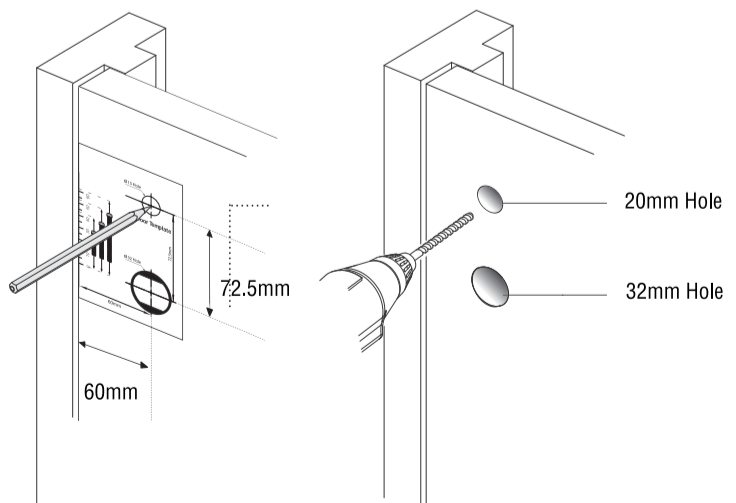
2 Disassemble Lockset



Please disassemble your existing Deadlatch case and mounting plate.

*The Deadlatch & plates above are generic images. If you are retrofitting Yale digital lock, your product may be different.

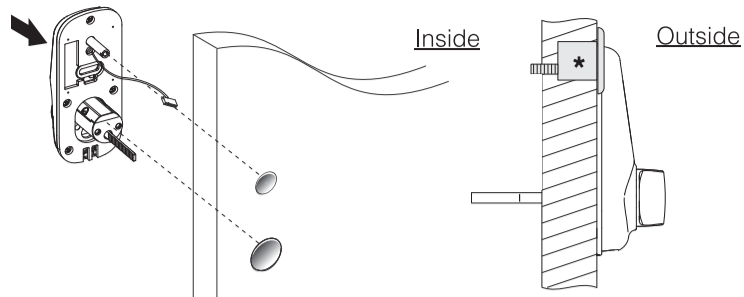
3 Door Preparation



At the height you want your lock, use a pencil to mark a spot exactly 60mm from the edge of the door. At that spot, drill a 32mm diameter hole through the door.

If using an existing cylinder hole, use the template to mark the position for the 20mm hole.

4 Cut Connecting Bar



MARK AND CUT CONNECTING BAR
Cut with pliers to ensure a clean cut.

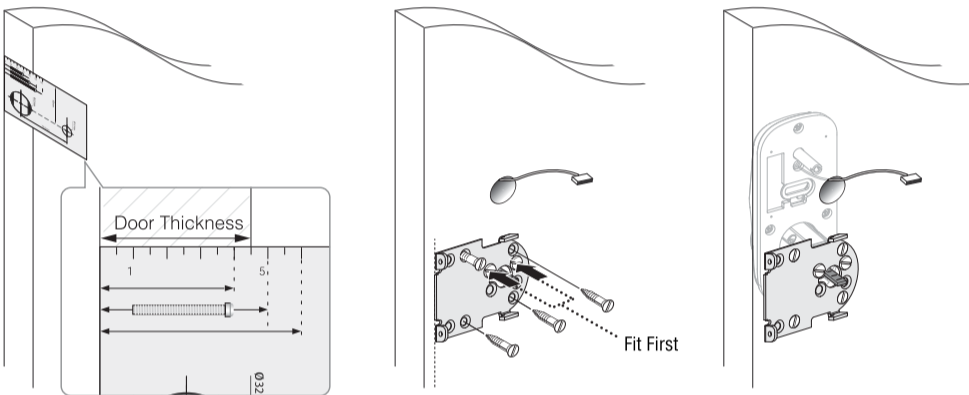
Place the Electronic Keypad into the holes on the outside of the door. Following the Mounting Instructions provided with your Deadlatch, measure and cut the connecting bar to the required length.

Warning:- The projection of the connecting bar is important to ensure the lock works correctly, and may differ depending on the Deadlatch. If this is cut too short, it cannot be replaced.

5 Mount External Keypad and Mounting Plate

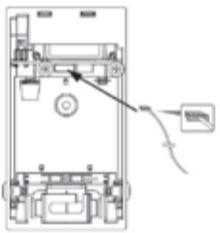
Use the template provided to choose correct screw length according to your door thickness.

Fix the Electronic Keypad with the correct length retaining screws. Make sure the front keypad is aligned before fixing the screws. Now fix the mounting plate onto the door.

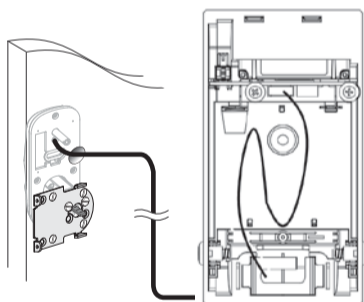


Note: For a new Deadlatch installation, please refer to separate latch mounting instructions for specific retaining screw hole pattern.

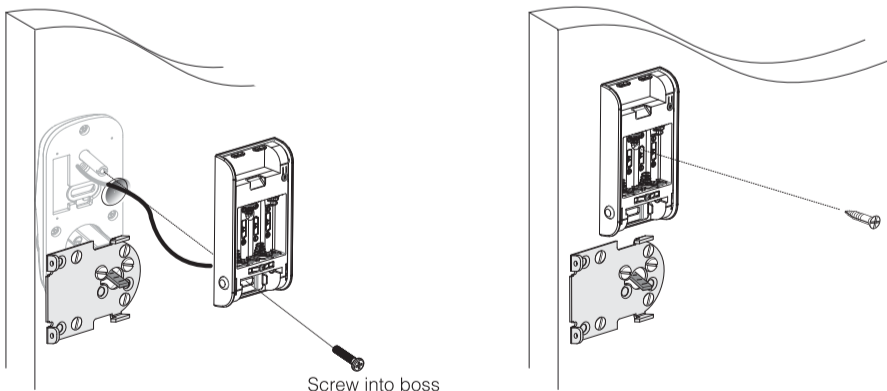
6 Secure Battery Pack



Connect the cable to the battery pack.

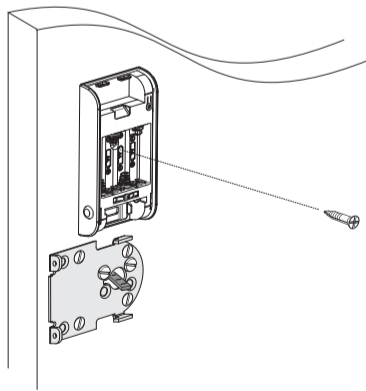


Feed the cable through the slot and then, being careful not to overlap it, zig-zag any excess cable behind the battery pack.



Make sure the battery back is square with the door.

Screw into boss

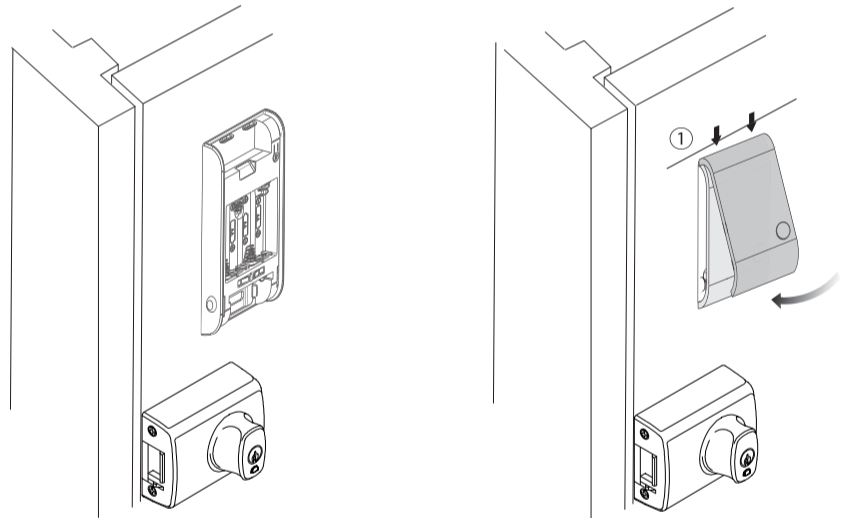


Fix screw to completely secure battery pack.

7 Deadlatch Installation

Finish the installation using the Mounting Instructions provided with your Deadlatch assembly.

8 Insert the Batteries and Close the Cover



9 Check Points after Installation

- (A) Make sure to leave the door open when registering your PIN because you may accidentally lock the door while trying to register or change your PIN code.
- (B) Touch the keypad with your palm to wake up the keypad.
- (C) Enter the PIN code 123456 and enter* button or touch the keypad with your palm to open the door.
- (D) Turn the thumbturn several times to retract the latch bolt.
- (E) The thumbturn will not retract the latch bolt after a few seconds.

PLEASE NOTE: Remember to change your master code after installation.

! To avoid any possibility of being locked out, do not close the door until a PIN code has been successfully registered to allow access.

