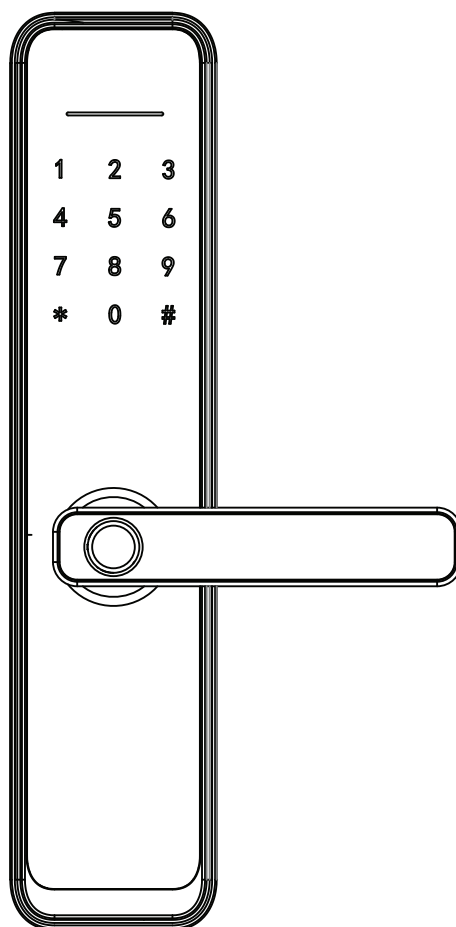


Instruction of smart lock



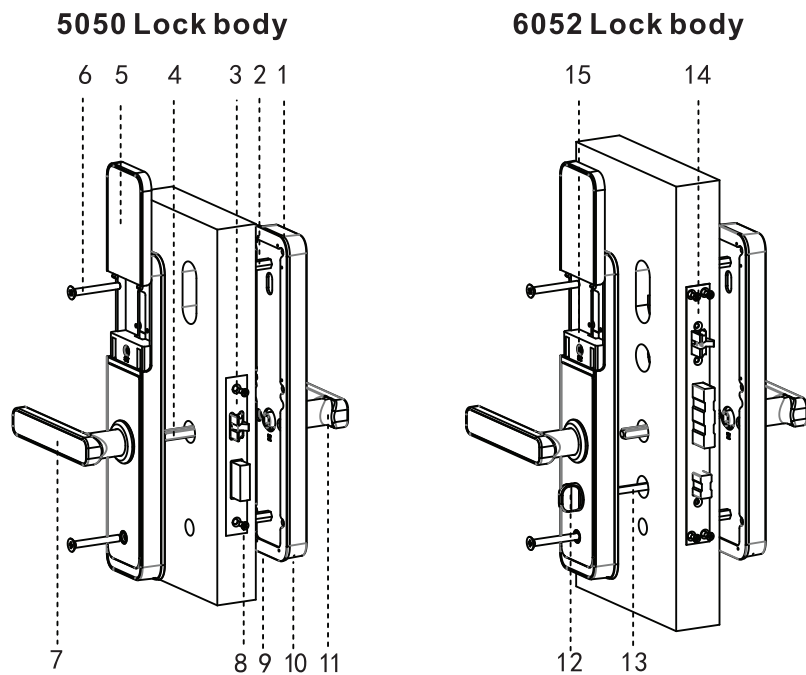
NOTICE:

1. Please read this instruction sheet before used.
2. Please take key with you or put it outside the room.

1. installation

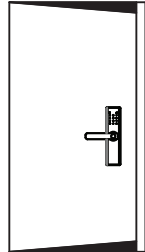
- a. Professional installation recommended
- b. Pay attention to the connecting cable during installation.
- c. Please adjust the handle direction according to the instructions.
- d. It is necessary to keep the door half open during installation
- e. After installation, please check whether fingerprint, password, IC card, key, internal and external handle, and anti lock switch can work normally.
- f. If it can't be used normally check for improper installation.

2. Installation diagram

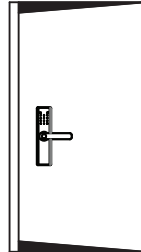


- | | | |
|--------------------------------|---------------------------|-----------------------|
| 1. Outer panel | 2. Connecting column | 3. lock body |
| 4. Square bar | 5. Battery case cover | 6. Connecting screw |
| 7. Back handle | 8. Lock body fixing screw | |
| 9. Emergency power supply port | 10. Lock core | |
| 11. Front handle | 12. knob | 13. Anti lock pick up |
| 15. Setting key | | 14. Lock body(6052) |

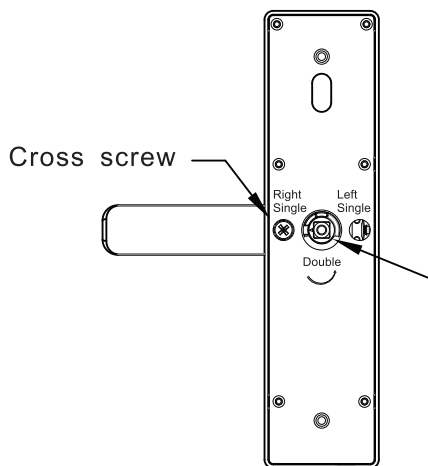
3. Confirm the direction of the handle



Left door opening



Right door opening



Change direction of the handle
1. Remove the cross screw in the figure, Turn the handle 180 degrees in the direction of the arrow.
2. After adjusting the handle direction, install the screw and complete the reversing.

Attention: hexagon socket screw is fixed when changing the handle direction.

4. Cutout

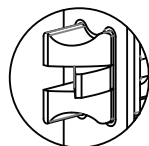
Refer to the hole drawing and the lock body model.

5. Install the lock body:

- 5.1 Support lock body model: 5050,4585,6085,5572,6072, 6052, ball lock, etc.
- 5.2 Adjust the direction of the diagonal tongue according to the direction of the door.



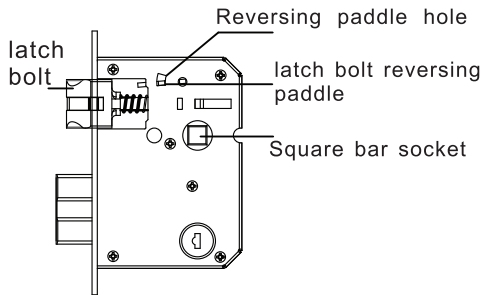
Left inside open
Right outside open



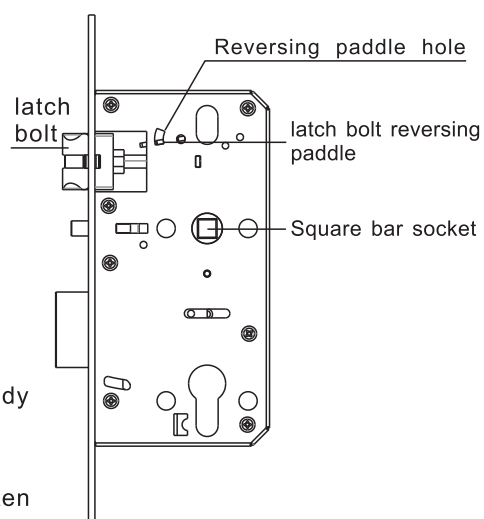
Right inside open
Left outside open

5.3 Lock body reversing

5050 lock body



5572 lock body



- Pull the reversing paddle of locking tab to the other end.
- Push the oblique tongue into the lock body and rotate 180 degrees.
- Release reversing paddle.
- Install the lock into the door frame. Tighten the fixing screw of lock body.

6. Door lock installation

6.1 Connect the two corresponding studs on the outer plate

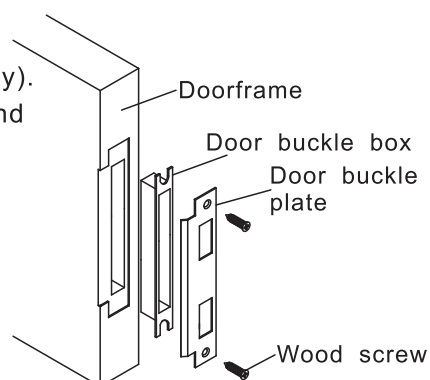
6.2 Fixed outer panel

- Insert the square bar into the square bar hole
- Pull the main board connecting cable into the door
- Align the outer panel with the opening position and install the square bar

6.3 Fixed inner panel

- Connect the main board connecting cable, and put the redundant cable into the slot.
- Insert the anti lock paddle. The length of the paddle can be cut according to the thickness of the door (6052 lock body only).
- Align the square bar of the inner panel and compress the inner panel.
- Lock the screws and fix the panel.

7. Install the door buckle plate and buckle box



Intelligent lock (five in one) operation manual

1. Function and Operation

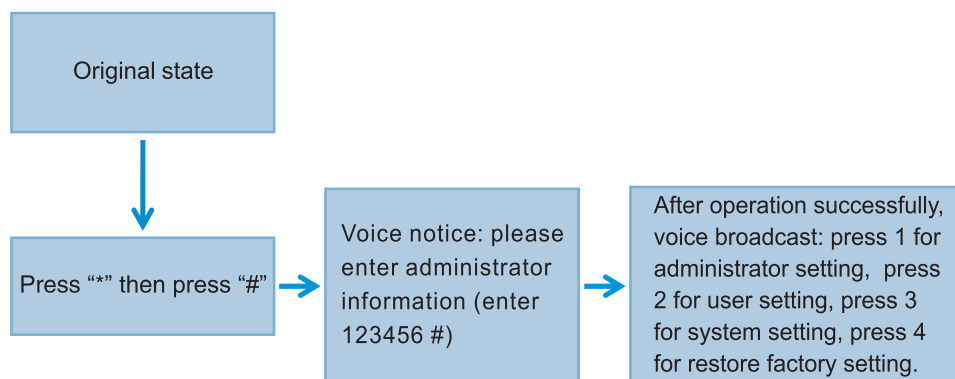
1.1 Description of terms and functional keys

- 1) Administrator information: refer to the administrator's fingerprint, password or IC card.
- 2) Unlock information: refer to the input fingerprint, password or IC card information (including administrators and ordinary users).
- 3) Key "*" clear key / back key. Enter the password and point by clearing the previous input. Click the key three times in succession, empty all input.
- 4) Key "#": confirmation key or menu function key.

2. original state

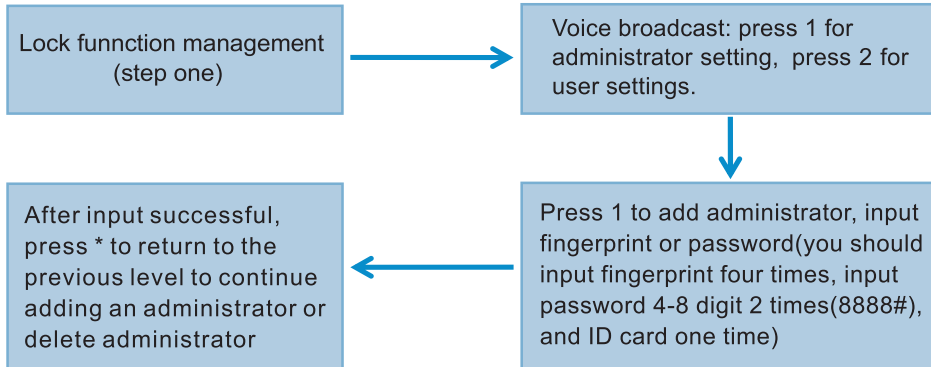
- 1) The factory administrator initial password is 123456, under the original state any fingerprint, IC card or password can open the lock.
- 2) Any fingerprint, IC card or password which are not setting can't open the lock after inputting the administrator information.

3. Lock function management (step one)

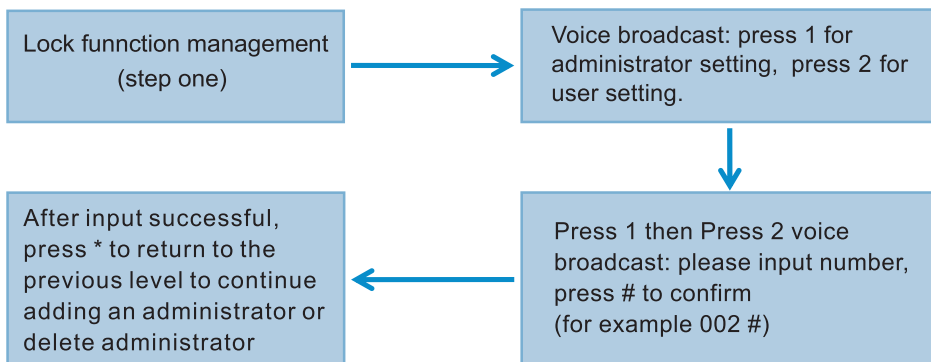


4. Administrator settings

1) Add administrator (step 2)

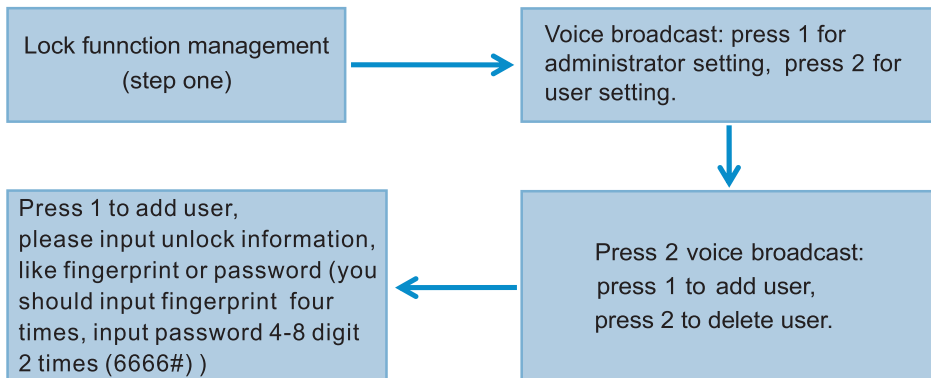


2) Delete administrator information

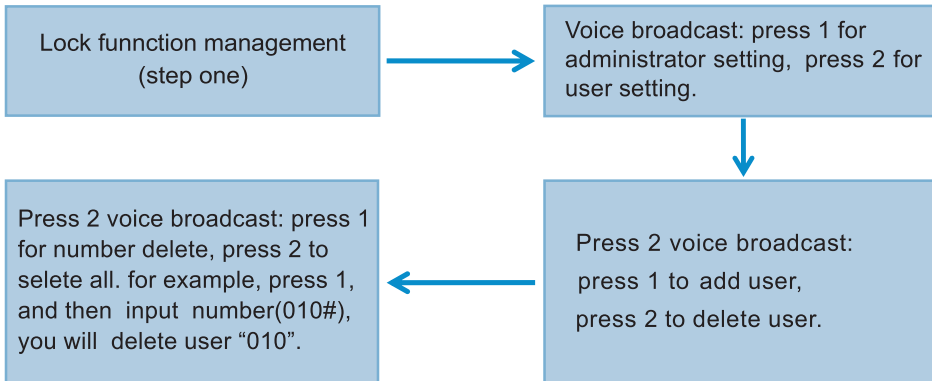


5. Common user setting

1) Add administrator information

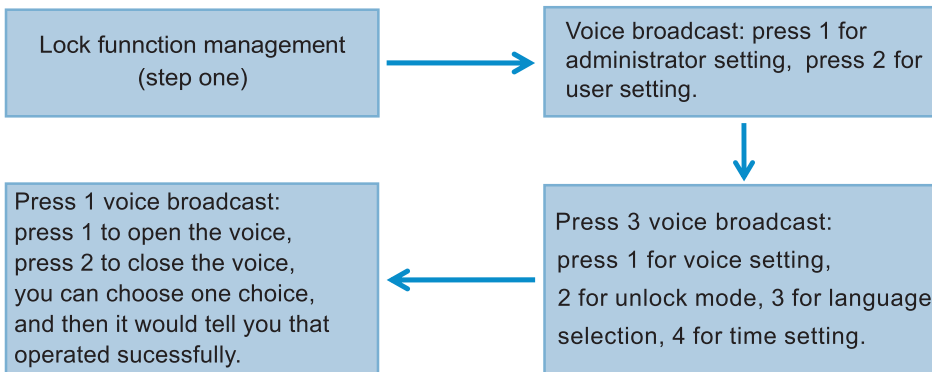


2) Delete user information

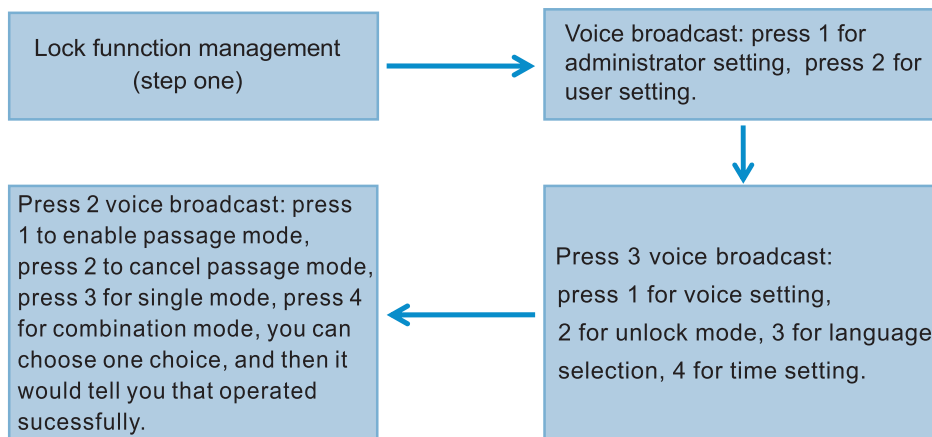


6. System setting

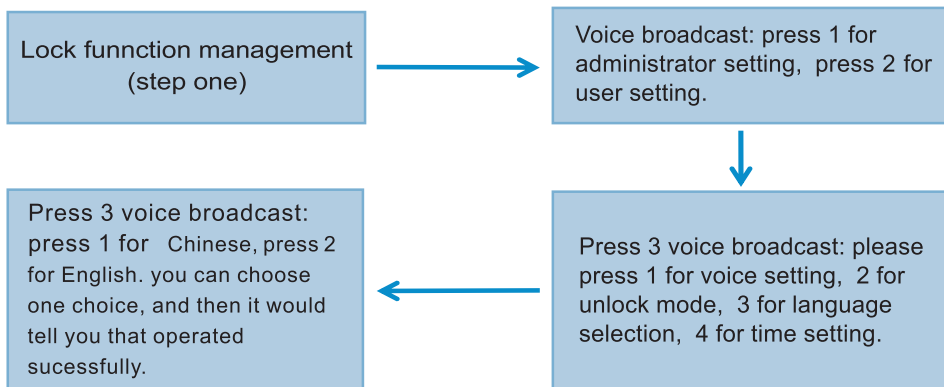
1) Voice setting



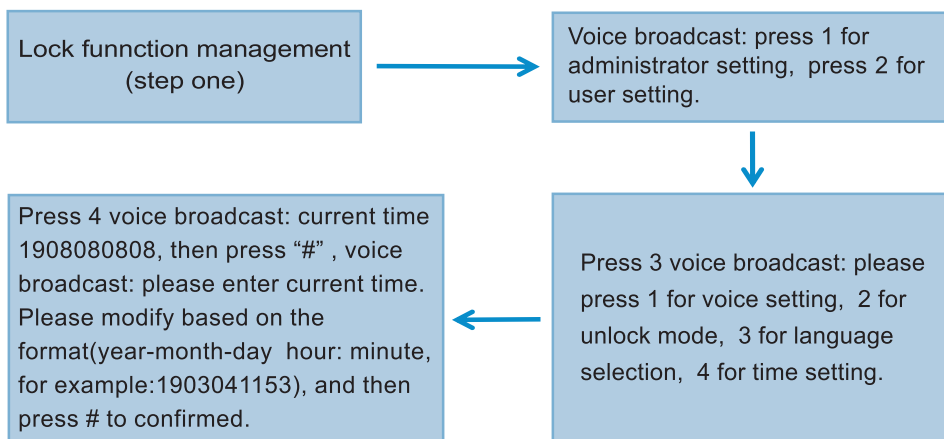
2) Unlock mode setting



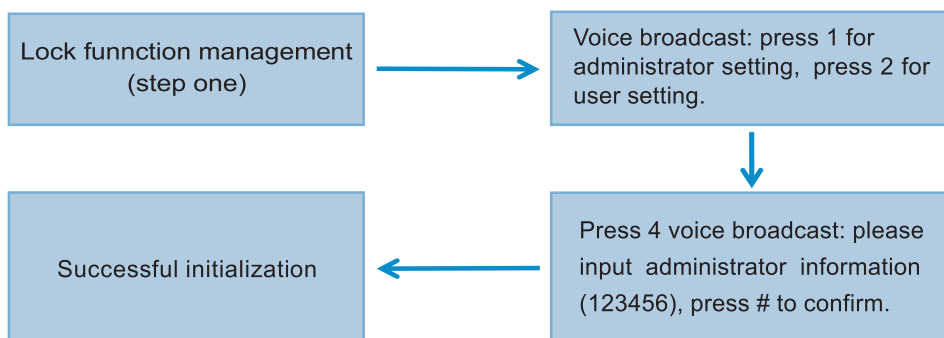
3) Language settings



4) Time setting



7. Restore factory settings



8. APP Configuration (Tuya Smart)



- 1) Search “Tuya Smart” in App Store or an App market, download and install it.
- 2) Register with your cellphone number and log in.
- 3) Click “Security & Sensor”, find “Lock(Wi-Fi)”, click and add a device following instructions before use.
- 4) Remote unlocking: wake up the screen and press “9”+“#”. There will be a voice prompt: requesting remote unlocking.

Add one network

- 1) Press “*”+“#” to authenticate administrator identity and then press “1” to access administrator settings. Then there will be a voice prompt of pressing “3” for network configuration.
- 2) Voice prompt in network configuration mode: press “1” for hotspot connection and “2” for intelligent connection.
- 3) When the network is successfully added, the 1st, 2nd, 3rd and 4th lights on the keyboard will be on in order with a voice prompt of “operation completed”.
- 4) In the event of network addition failure, the 1st, 2nd, 3rd and 4th lights on the keyboard will not be on and there will be a voice prompt of “operation failed” upon timeout.

Notice:

1. Please add administrator before setting.

9. Other notes

- 1) Input the wrong password more than 5 times in a row, the key board lock for 30 seconds, it does not respond to any operating system in 30 seconds.
- 2) Password peeping prevention function: input password as follows when opening the door with password: XXX password XXX; you can add some extraneous codes before and after the password, and then press # to confirm. The password must be included in the input contents.
- 3) If there is no operation more than 10 seconds, system will automatically exit.
- 4) After the voltage is lower than 4.6v, the lock will automatically alarm every time when it is opened. After the alarm, the lock can be opened for about 200 times.

10. Technical Parameters

Technical Parameters			
	Items	Parameters	Memo
1	Static current	$\leq 50\mu\text{A}$	
2	Dynamic current	$\leq 180\text{mA}$	
3	Administrators number	9	
4	Fingerprint number	100	
5	Fingerprint + password + card capacity	200	
6	Fingerprint Sensor	Semiconductor	
7	Fingerprint contrast time	$\leq 0.6\text{Second}$	
8	Fingerprint identification Angle	360°	
9	False Rejection Rate	$\leq 0.1\%$	
10	False Recognition Rate	$\leq 0.0001\%$	
11	Reaction time	$\leq 0.1\text{ Second}$	
12	Power type	6V	
13	Emergency power	5VDC	
14	Working temperature	$-25^\circ\text{C} \sim 60^\circ\text{C}$	
15	Working Relative Humidity	20%~90%RH	
16	Human voice	Yes	
17	Keyboard	Touch standard 12-bit keyboard	
18	Password Length	4-8 digits	
19	Phantom password	32 digits	
20	Low voltage alarm	$4.6 \pm 0.2\text{V}$	
21	Unlock time	$\leq 1\text{Second}$	