

Security Screen Door Lock User's Guide



Bluetooth
BLE



APP



Pin code



Mechanical keys



RFID card

Download and Install the APP



Scan to download app

Enable your smart phone to scan QR code to download the APP. Also you can search "TT Lock" on APP store or Google play to download the APP.

Setting via lock

If you don't want to use the App, you may follow the programming instructions below.

1 Create NEW Access

Add administrator (only 1):



- Enter *12#
- Input 123456# (the initial code)
- Input admin code# (4-9 digits)
- Repeat admin code#

Add a new user with an access code (150 at most):



- Enter *85#
- Input admin code#
- Input user code# (4-9 digits)
- Repeat user code#

Add a new user with an RFID card (200 at most):



- Enter *85#
- Input admin code#
- Swipe the card

Tips: If your smartphone support NFC, copy the registered RFID card to your smartphone, the phone will be the key to unlock.

2 Modify Code

Modify Admin Code



- Enter *12#
- Input old admin code#
- Input new admin code#
- Repeat the new admin code#

Modify User Code



- Enter *10#
- Input old user code#
- Input new user code#
- Repeat the new user code#

3 Manage the Language



If not register the admin code, the default admin code is 123456

4 Delete User

Delete ALL Access Codes:



- Enter *71#
- Input admin code#

Delete ALL RFID Cards:



- Enter *69#
- Input admin code#

5 Reset the Lock

Long press the Reset button, when hear "please input initialization passcode", input 000#, reset successfully. All code/card/phone users will be deleted.

6 Demo Mode

The demo mode is turned off by default, when not register the admin code, enter 24679# will open the demo mode. During the demo mode, input 123456# or any cards can unlock. After registering the admin, the demo mode will be invalid automatically.

7 Low Battery Alert

When battery power is lower than 4.8V, each time waking up the keypad, buzzer will make alert "Low battery, please replace the batteries", the keypad light flashes 1s. Please change with new Alkaline batteries, don't mix new and old batteries.

8 Scrambling Code To Anti Peep

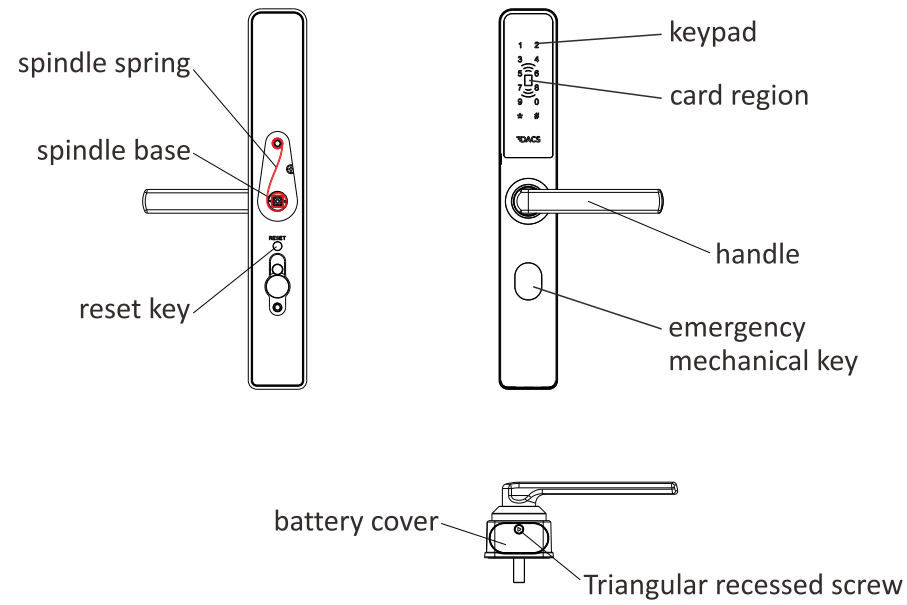
Users may enter any random digits before or/and after the correct passcode and can still gain access, make sure strangers can't steal your passcode by watching your nearby when you enter the passcode.

9 Incorrect code/card Alert

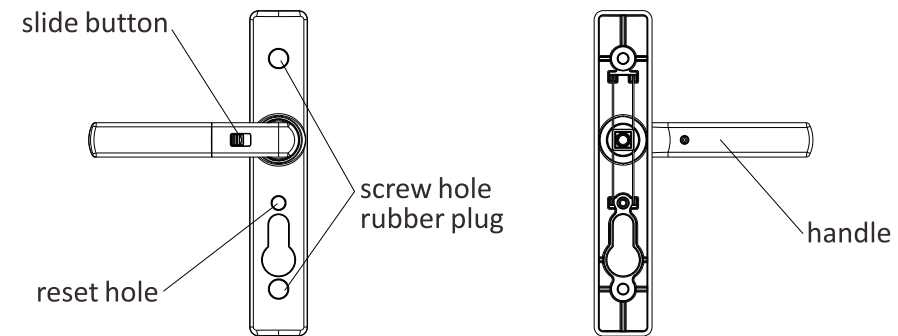
If incorrect code/card is entered 5 times, the alarm tone will last for 5S and the lock will freeze for 5 minutes. If want to unlock, you will hear "illegal operating system has locked."

Installation Instructions

Exterior Assembly Diagram

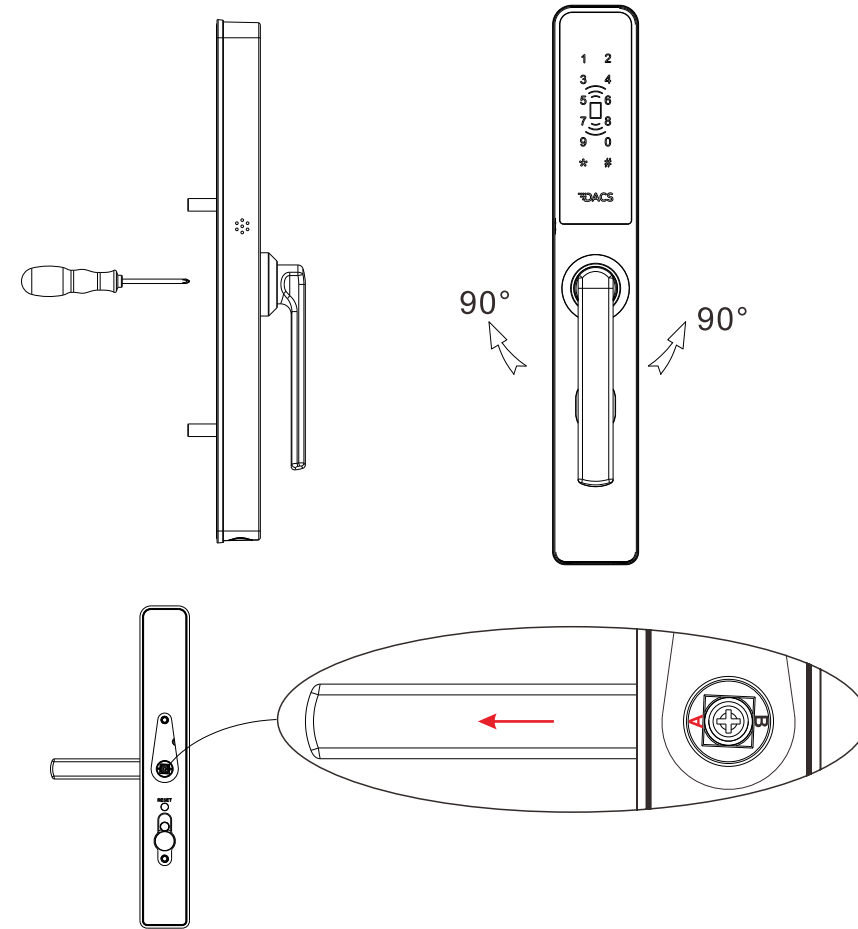


Interior Assembly Diagram



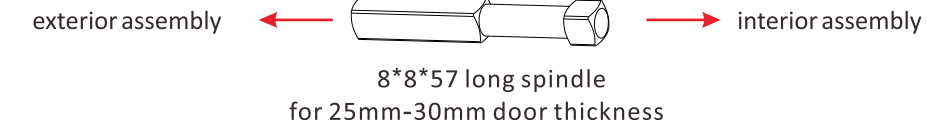
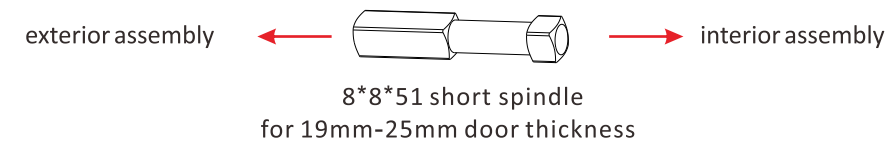
I Adjust the handle direction

1. The smart door lock is suitable for left hand and right hand opening door. As showed in figure, with the screwdriver, loosen the inside screw, rotate the handle 90 degrees to left/right, then tighten the screw.
2. The "A" must keep same direction with the handle.



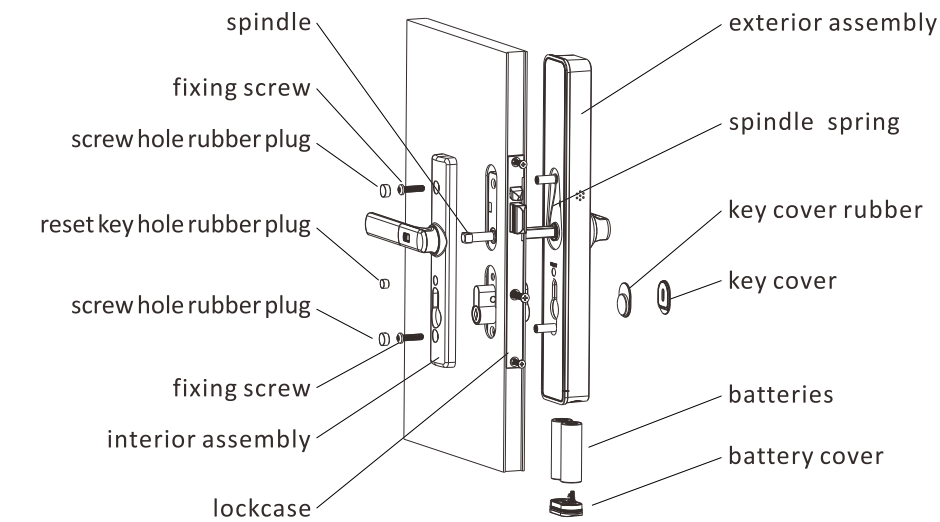
II Install the spindle

1. First select the suitable spindle according to the door thickness.
2. Install the spindle through spindle spring as showed in figure .



III Installation steps

1. First install and tighten the lockcase according to the door opening direction, and install the strike plate on the door frame.
2. Install and tighten the cylinder.
3. Install the exterior and interior assembly, tighten the two fixing screws, and install the screw hole rubber plug.



Accessories

Single or Multi point hinged security or screen door lock

Standard Multi Point Kit

