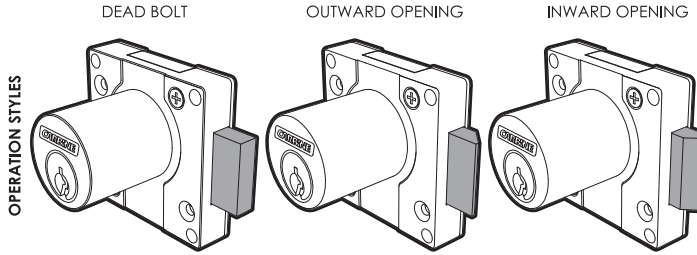
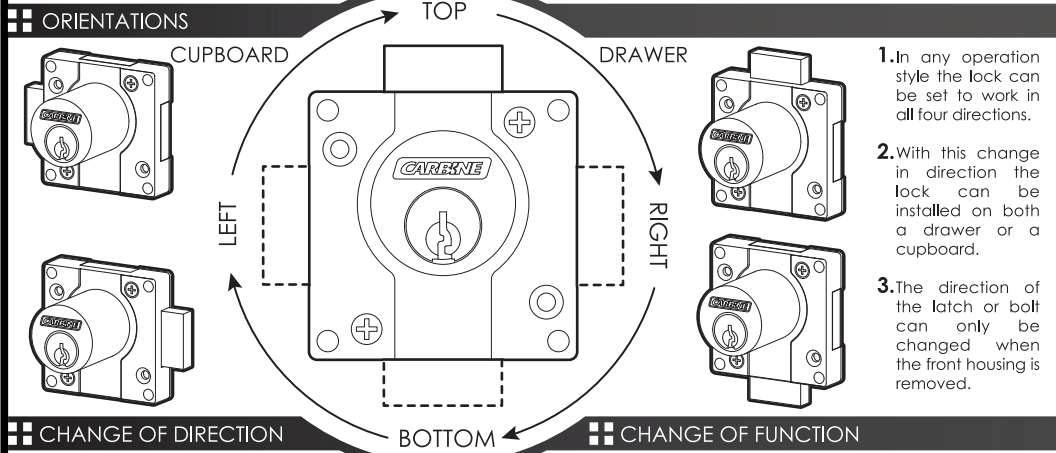


CUPBOARD LOCK INSTALLATION INSTRUCTIONS



SUITABLE FOR

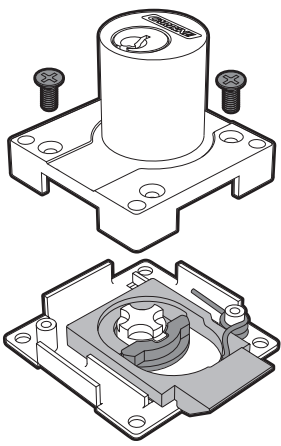
- SLIDING CUPBOARD / CABINET DOORS
- SWINGING CUPBOARD / CABINET DOORS
- CUPBOARD / CABINET DRAWS



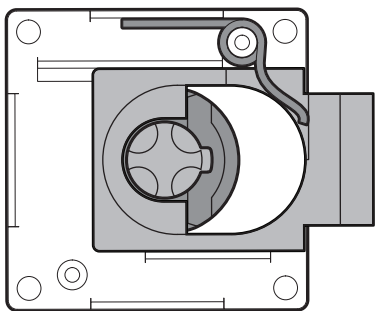
1. In any operation style the lock can be set to work in all four directions.
2. With this change in direction the lock can be installed on both a drawer or a cupboard.
3. The direction of the latch or bolt can only be changed when the front housing is removed.

CHANGE OF DIRECTION **CHANGE OF FUNCTION**

1. Remove the front housing by way of the 2 x M3 screws
2. Rotate the front housing to align the four cutouts with the three tags on the back plate and the latch or bolt.

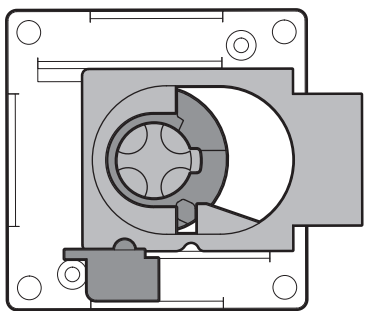


LATCH CONFIGURATION



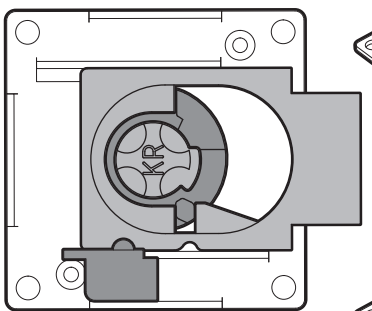
- * Latch Carriage
- * Drive Cam
- * Latch Cam
- * Latch Spring

BOLT CONFIGURATION



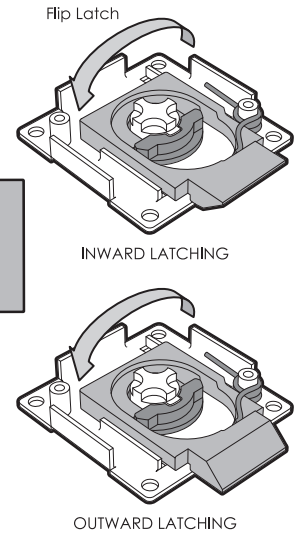
- * Bolt Carriage
- * Drive Cam
- * Bolt Cam
- * Bolt Spring Mech

BOLT CONFIGURATION with KEY RETAIN

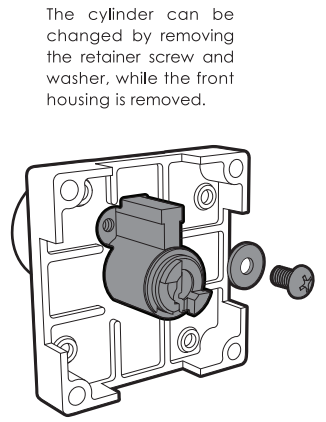


- * Bolt Carriage
- * Key Retain Drive Cam
- * Bolt Cam
- * Bolt Spring Mech

REVERSIBLE LATCH



CHANGE CYLINDER



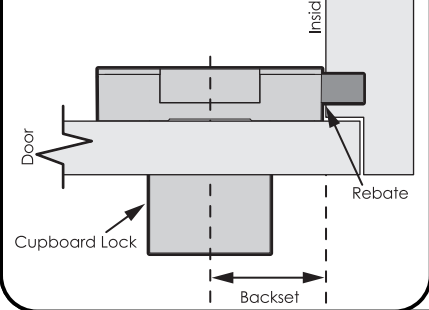
The cylinder can be changed by removing the retainer screw and washer, while the front housing is removed.

INSTALLATION

Using a pencil, mark the desired location of the cupboard lock and with the use of a 27mm spade bit or Ø27mm hole saw drill the main lock body hole. Using the Ø2.50mm drill bit, drill 4 x pilot holes for the 4 x 6 Gauge x 24.50mm screws.

BACKSET

If cupboard or drawer door is rebated or sits on the outer face of the frame the backset must be measured from the inside face of the cupboard or drawer.

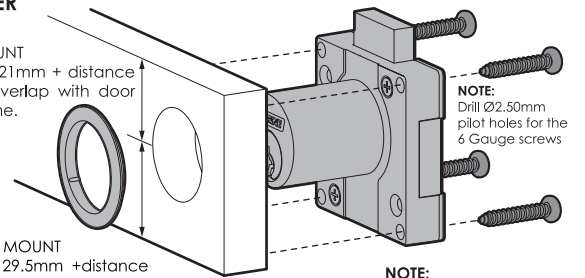


DRAWER

NOTE:

TOP MOUNT

Backset 21mm + distance of the overlap with door and frame.



NOTE: Drill Ø2.50mm pilot holes for the 6 Gauge screws

NOTE:

BOTTOM MOUNT

Backset 29.5mm + distance of the overlap with door and frame.

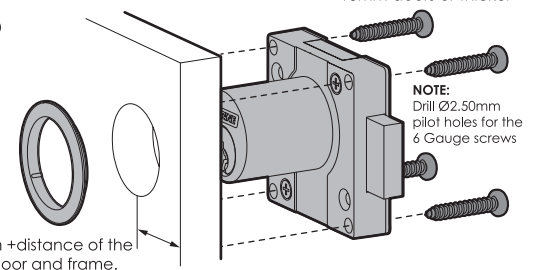
NOTE: Screws provided suit 15mm doors or thicker

CUPBOARD

NOTE:

SIDE MOUNT

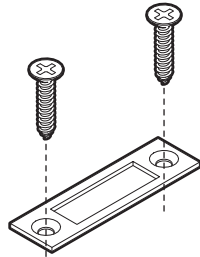
Backset 25mm + distance of the overlap with door and frame.



NOTE: Drill Ø2.50mm pilot holes for the 6 Gauge screws

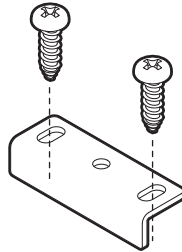
C U P B O A R D L O C K P A C K A G E D C O N T E N T S

STRIKE INSTALLATIONS



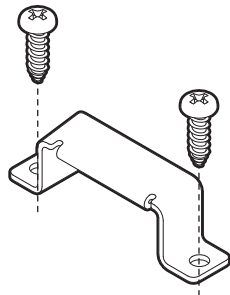
FLAT STRIKE

Find the desired location of the strike & using a pencil, outline the strike profile & screw holes. Utilizing a chisel, chisel out the bolt recess.
Use a Ø2.0mm drill bit & drill 2 x pilot holes and screw on the flat strike using the 2 x 4 gauge 16.00mm CSK screws provided.



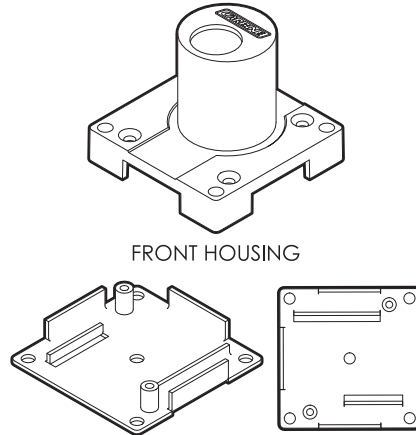
L STRIKE

Find the desired location of the strike & using a pencil, outline the strike profile & screw holes.
Use a Ø2.5mm drill bit & drill 2 x pilot holes and screw on the L strike using the 2 x 6 gauge 15.50mm screws provided.



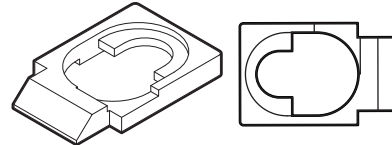
ANGLED LATCH STRIKE

Find the desired location of the strike & using a pencil, outline the strike profile & screw holes.
Use a Ø2.5mm drill bit & drill 2 x pilot holes and screw on the angled latch strike using the 2 x 6 gauge 15.50mm CSK screws provided.

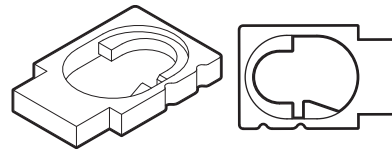


FRONT HOUSING

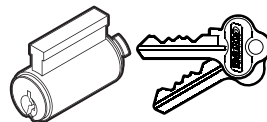
BACKPLATE



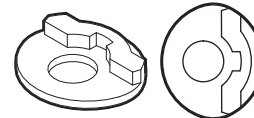
LATCH CARRIAGE



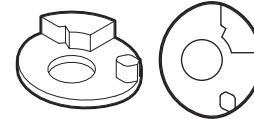
BOLT CARRIAGE



530 CYLINDER & KEYS
(Supplied Depending On Model)



LATCH CAM



BOLT CAM



DRIVE CAM



KEY RETAIN DRIVE CAM



LATCH SPRING

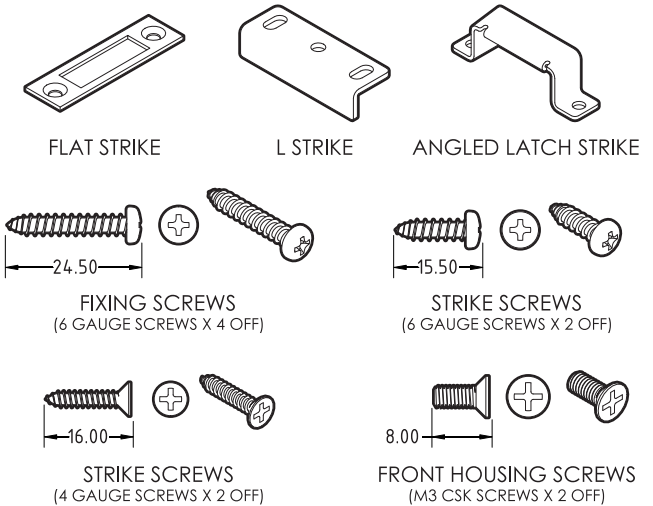
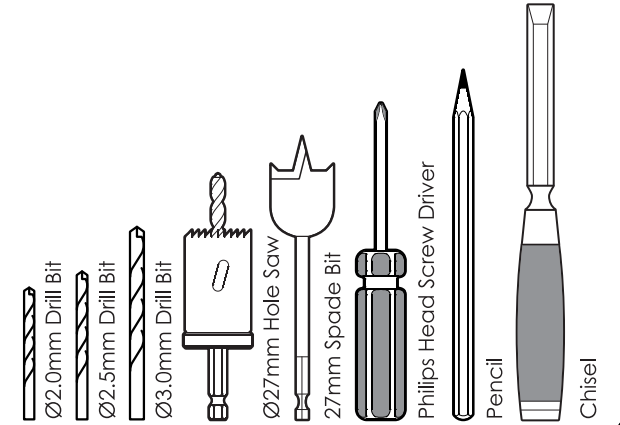


BOLT SPRING MECH



ROSE

TOOLS REQUIRED



LOCK & KEY Phone: 1300 652 692 Web: www.locknkey.com.au Web: www.daveweb.com.au

Distributed in Australia by LOCK AND KEY a division on the DAVCOR GROUP PTY LTD ABN 95 003 562 598 This product has been manufactured in Taiwan to Lock and Key Company specifications

This product is guaranteed to be free from defects in materials and workmanship for a period of one (1) year from the date of original purchase. This warranty is for replacement of product only and Lock and Key Company does not accept responsibility for any direct or consequential damage caused by this product or its use. This warranty does not cover damage that results from

faulty installation or usage, alteration or modification of the product or tarnishing of the finish including colour change due to weather, salt or chemical. Should this product not perform satisfactorily in its intended application, return it to place of purchase for replacement.

WARNING
Please keep contents away from small children, may lead to suffocation.

NOTE
Please dispose of plastic bags & other packaging in a thoughtful manner.

