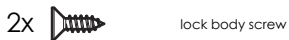
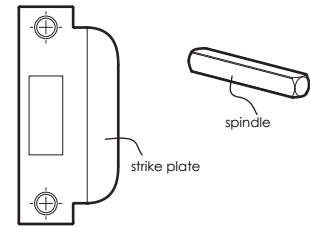
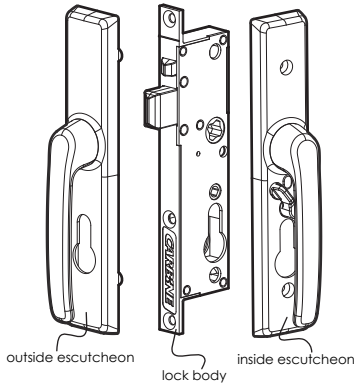
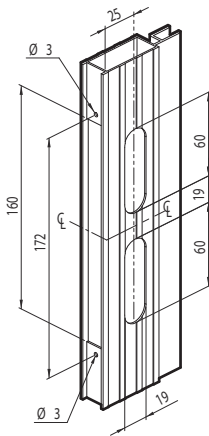


**HINGED SECURITY AND SCREEN DOOR LOCK INSTALLATION INSTRUCTIONS**

**PACKAGE CONTENTS**



**PREPARATION**



**NEW INSTALLATION**

Check if the door stile is appropriate for the installation. Mark the desired installation height and do all the cut outs and holes as shown on the picture.

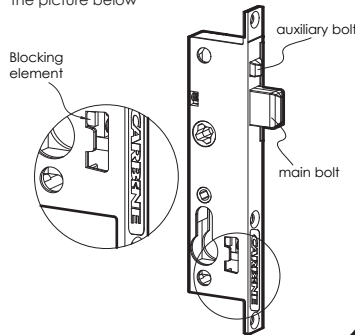
If the installation going to be a 3-point type, consult the installation manual of that product before proceeding, since the centerline position is critical.

**REPLACEMENT**

After removing the existing lock, check whether the existing door stile and cut outs are appropriate for the new installation. Adjust the cut outs and holes if necessary.

**CHECKING LOCK BODY'S LOCKED STATE**

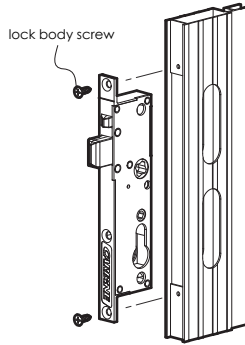
The lock body must be deadlocked, which is the way it is shipped. Check this by trying to push the main bolt back. It should not move. In addition, turn the body around and be sure that the visible part of the blocking element is in the upper position, as shown on the picture below



**INSTALLATION STEPS SINGLE POINT INSTALLATION**

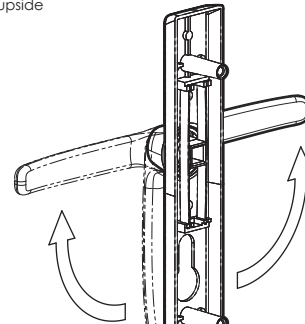
**1. INSTALLING LOCK BODY**

Slide the lock body into door section. Secure the lock into the stile with the supplied short self-tapping screws. Do not use excessive torque because the thread can be easily stripped, especially on a replacement installation. Note: The unit is not designed for upside down installation.



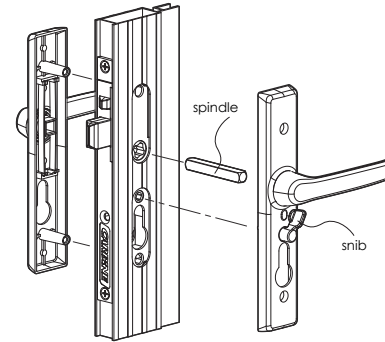
**2. PREPARING ESCUTCHEONS**

Rotate handles on both escutcheons sideways from the shipped vertical position to the required orientation. If necessary, simply rotate the handles starting downward through 180 degrees.



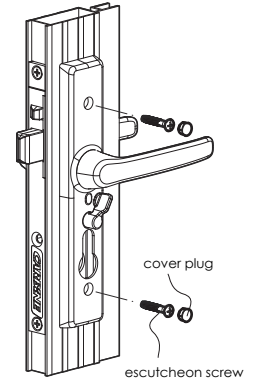
**3. FITTING ESCUTCHEONS**

Line up the outside escutcheon with the top and bottom holes of the lock body and put it in place by feeding the long bosses through the holes. Hold the outside escutcheon by hand while putting the spindle and the inside escutcheon in place. Make sure the top of the snib is leaning toward the handle tip by about 30 degrees from the vertical, so it lines up with its hole on the lock body.



**4. SECURING ESCUTCHEONS**

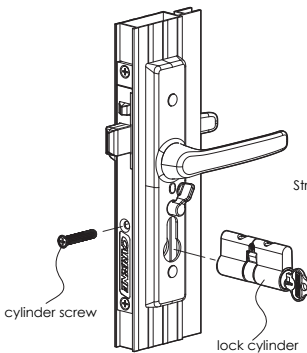
Secure escutcheons by the thread forming escutcheon screws. Make sure to use the correct screwdriver. Do not use excessive torque. Insert cover plugs. Insertion of the cover plugs can be delayed until after checking the installation.



**5. FITTING CYLINDER**

Before sliding the lock cylinder in place make sure that it is in the correct orientation, so the cylinder cam moves toward the front face of the door.

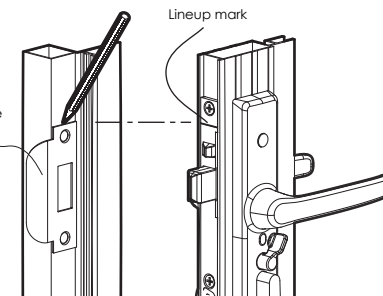
Slide the cylinder in and secure it with the cylinder screw. Do not apply excessive torque. Operate the cylinder with the key a few times making sure there is no binding.



**6. STRIKE PLATE INSTALLATION**

**Existing installation.** Close the door to check if the existing strike plate is usable. If not, proceed to replace it with the supplied one.

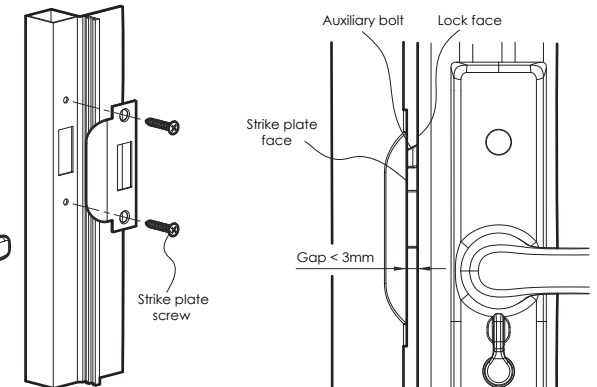
**New installation.** On the lock body, locate the strike plate line up mark just under the top body mounting screw (small horizontal line). Close the door. Mark the door jamb with a pencil level with the lineup mark. Put the strike plate in place with the top of it coinciding with the pencil mark and mark out the mounting holes and the square opening.



**Aluminum door jambs:** predrill holes for the provided screws. Drill and file to create rectangular opening to accommodate the main bolt.

**Timber door jambs:** use a chisel to remove material inside the rectangular area marked previously. This should be about 20mm deep. Use small drills to predrill the mounting holes. Take extra care during this operation, otherwise the door jamb may split. Drive in the strike plate screws. Do not over tighten.

The gap between the faces of the strike plate and the lock must be 3mm or less, so the auxiliary bolt can release the main bolt. The lock will not function otherwise. An additional strike plate may be used as a packing plate to reduce the gap if necessary.



# HINGED SECURITY AND SCREEN DOOR LOCK INSTALLATION INSTRUCTIONS

## 3-POINT INSTALLATIONS

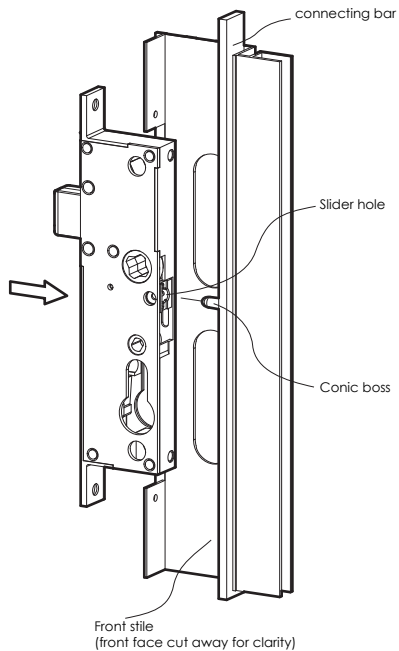
**APPLICABLE 3-POINT TYPE RETROFITS FOR THIS KIT**

This set is only replacing the central portion of an existing installation. It is **not** replacing the upper and lower remote locks. Therefore it is assumed that remote locks are still installed, and in working condition.

This set is a drop in replacement for the central portion of a "Tasman Mk2" (rod linkage type) and the "Austral Elegance" (cable type) 3-point installations.

**TASMAN Mk2 3-POINT OR COMPATIBLE RETROFIT**

Remove old central lock unit. Observe the conic boss protruding from the connecting bar. Insert new lock body into door stile while guiding the plastic boss into the slider hole at the back of the lock body. The rest of the installation is identical to the single point type installation as shown previously.



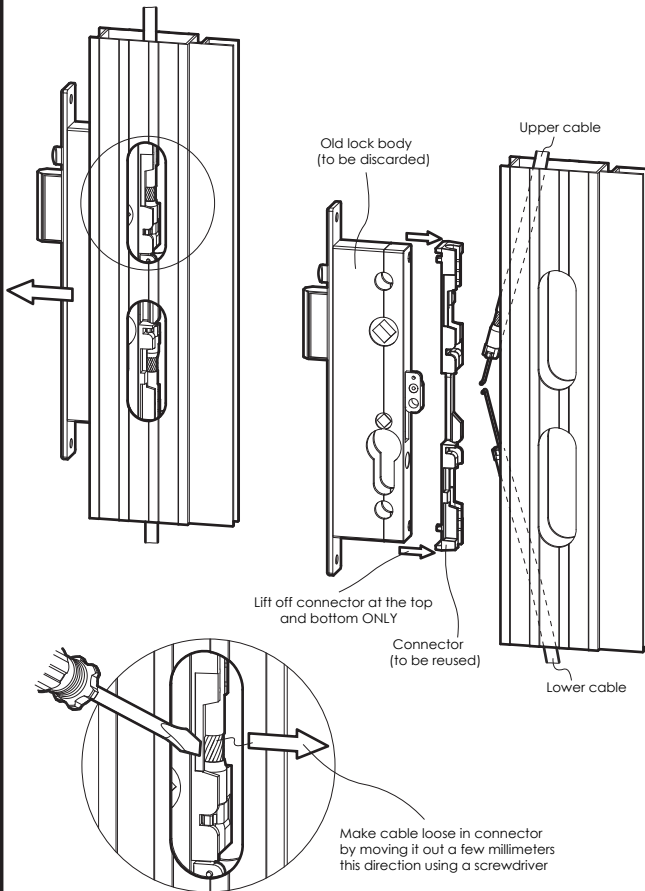
**Note:**  
This set is not a retrofit for Tasman Mk3 3-point installations, only for the single point Mk3 types.

**INSTALLATION STEPS 3-POINT RETROFIT INSTALLATIONS**

**AUSTRAL ELEGANCE 3-POINT RETROFIT**

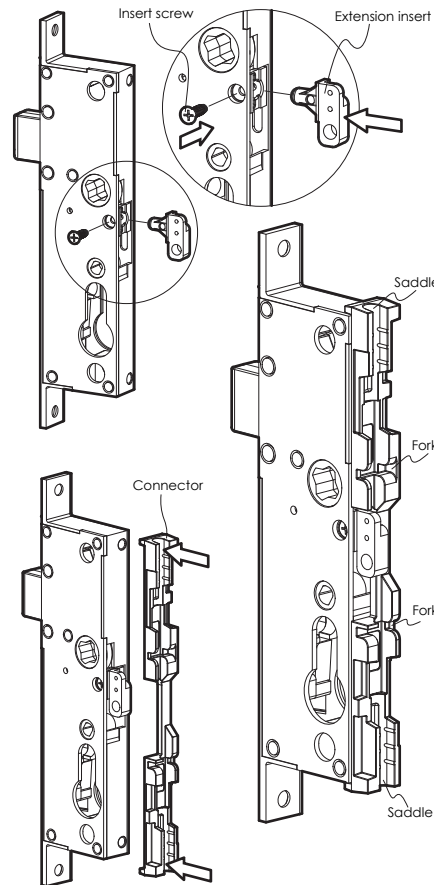
**1. REMOVING EXISTING LOCK BODY AND CONNECTOR**

Remove the old escutcheons and the body mounting screws. Begin pulling out the old central lock unit. The cables and the connector part (the diecast part where the cables are sitting) will become visible. **Do not pull the unit out further at this point. This is critically important, otherwise the connector casting will get damaged and cannot be reused later.** Starting at the top cable, use a small flat screwdriver to pry out the cable from the connector at the point of the outer sleeve where the cable is not covered with plastic, shown on the picture. The cable will pop out easily on the top but will remain hooked in the center. Repeat the same on the bottom cable. Move the old lock unit fully out of the door stile and disconnect the cables. Gently remove connector from the lock body by pulling it out at the upper and lower corners **ONLY**. This will ensure that the connector will not be bent or damaged. Keep the connector and discard the old lock unit.



**2. PREPARING NEW LOCK BODY FOR INSTALLATION**

Check if the lock body is in the deadlocked state as detailed previously. Place the optional extension insert into the round opening of the slide. Make sure the large hole on the insert is on the bottom and the two small ones are on the top and that the insert is fully pushed in place. This can be checked by looking into the hole provided on the rear of the sheet metal cover. Screw in the provided thread forming insert screw (no tapping necessary). Make sure it is all the way in, that is the head surface of the screw is sitting inside the part which it was screwed in. The insert must feel firmly in place. Press in place the connector removed in the previous step at its top and bottom corner. Make sure it sits flush with the rear face of the lock body. If necessary the connector can be gently tapped in place. Now the unit is ready for installation.



**3. INSTALLING NEW LOCK BODY**

First, hook up the lower wire then the upper wire into the small holes of the extension insert as shown. It is necessary to pull the bottom wire up to create enough space to hook the wires in. Begin to push the lock body back into the door stile. When the connector is visible through the side cut outs push the cable outers in place while making sure that the cable collars go into their respective forks on the connector. The plastic covered portion of the cables need to be pushed back into their saddle by applying force from the side with a flat screwdriver, while holding the lock body with the other hand. Repeat this for both cables, all the while making sure that everything is still in place.

Insert the lock body fully into the door stile. Make sure the mounting ears of the lock body sit against the door stile properly. If not, then check if the cables are fully in place. Do not force the lock to sit. Insert the lock body screws. Proceed with the rest of the installation as on a single installation since the remaining steps are identical. Test the installation and adjust if necessary.

