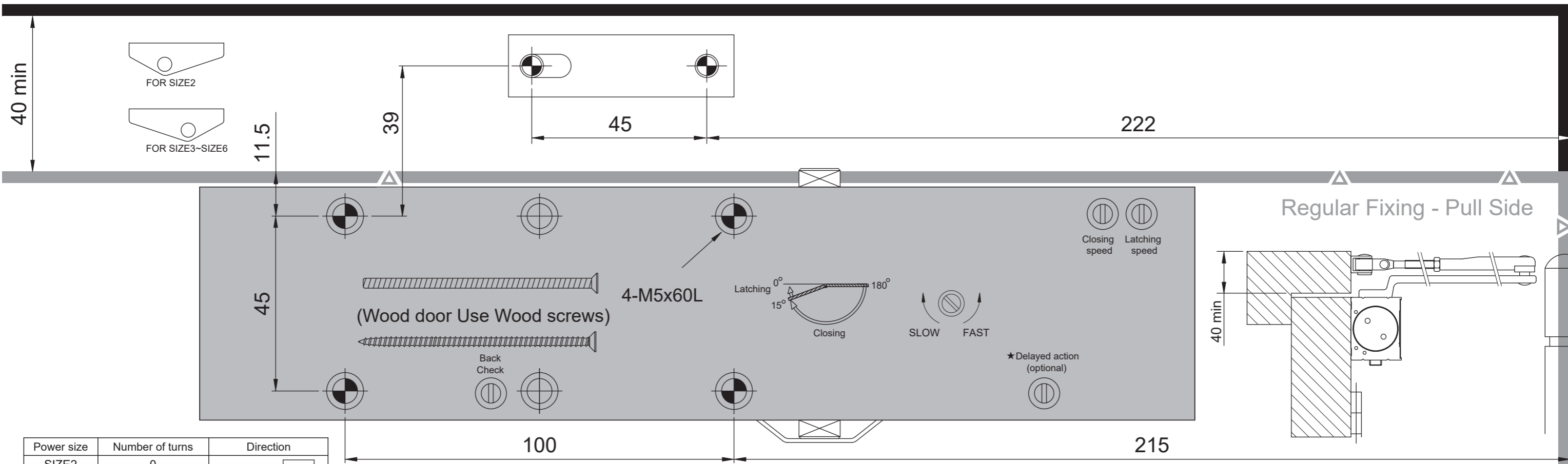
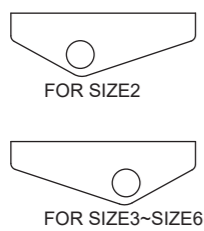
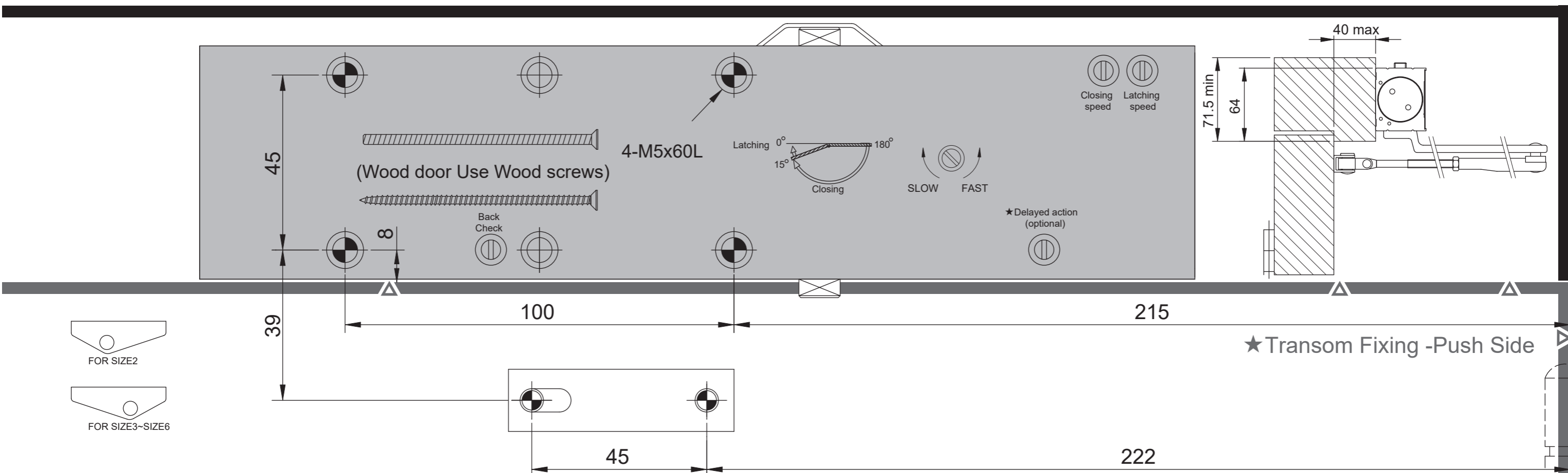


★ This option is not covered by the Certificate



Power size	Number of turns	Direction
SIZE2	0	—
⊕ SIZE3	0~+3	—
SIZE4	+3~+6	Clockwise
SIZE5	+6~+9	Clockwise
SIZE6	+9~+12	Clockwise

⊕ FACTORY PRE-SET



★ Transom Fixing - Push Side

★ This option is not covered by the Certificate