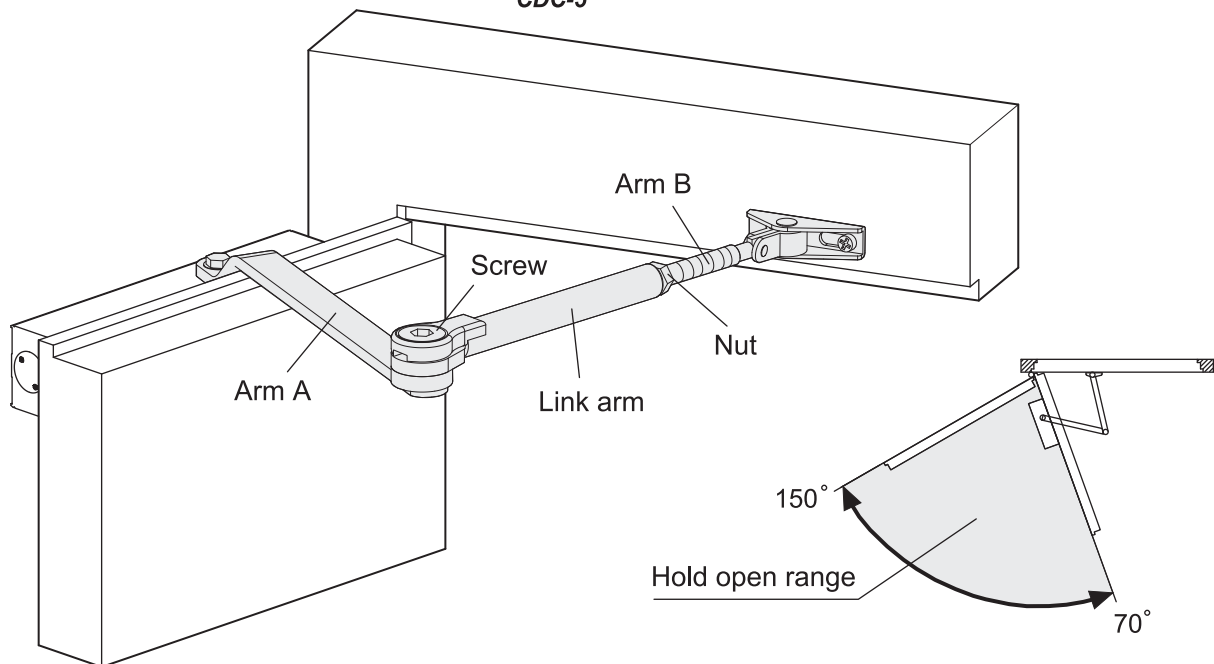


# Hold open arm

## Carbine Radius

Rack & Pinion Door Closer  
Hold open arm for CDC-5  
Instructions  
CDC-5



### Mounting instructions

Door closers with hold open arm are mounted in the same way as door closers with standard arm (see mounting instructions door closer).

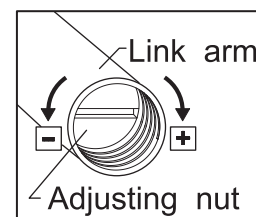
### Setting the hold open angle

After closer and hold open arm are mounted, open door and keep it in the hold open position desired. Tightly fix hexagonal screw (with Allen key SW 5).

### Readjusting the hold open angle

Bring door leaf in adjusted hold open position. Loosen hexagonal screw with approx. 3 complete turns. Move door leaf to new hold open position. Fix screw again tightly with Allen key SW 5. Mind that fixing screw and nut are tightened fast.

**It is not allowed to use the hold open arm on tested smoke and fire control doors.**



### Adjusting the hold open function

1. Take off the screw and nut, and separate arm A and B.
2. As seen on the drawing, use a screw driver to turn the slotted screw to right or left hand side so that the strength of the hold open will be adjusted.
3. After the adjustment, assemble the arm again, and make sure all the parts are in the right position.