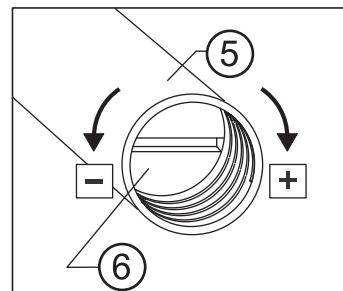
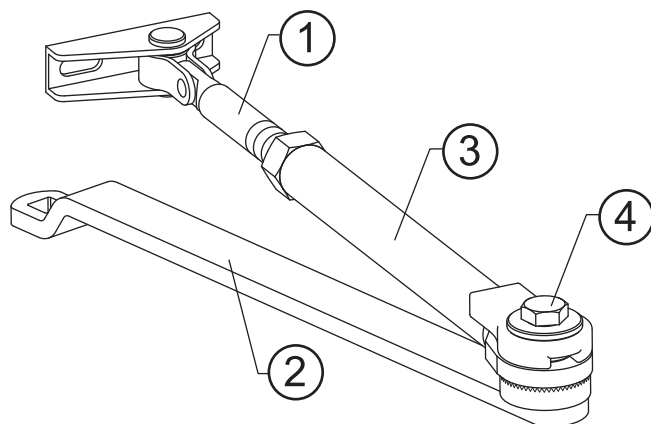


# Carbine Radius

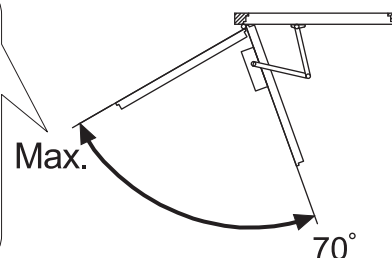
Rack & Pinion Door Closer  
Hold open arm for CDC-1/3  
Instructions  
CDC-1/3

14 John Hines Ave  
Minchinbury NSW 2770  
www.carbine.com.au

Baber Lock & Key New Zealand  
16 Parkhead Pl Albany 0632 NZ  
www.baberlocknkey.co.nz



★ Maximum HO angle depend on the closer maximum door opening angle.



## Adjusting the hold open function

1. Take off the nut, and separate arm A and B.
2. As seen on the drawing, use a screw driver to turn the slotted screw to right or left hand side so that the strength of the hold open will be adjusted.
3. After the adjustment, assemble the arm again, and make sure that all the parts are in the right position.

- ① Arm B
- ② Arm A
- ③ Link arm
- ④ Nut
- ⑤ Link arm
- ⑥ Adjusting nut