

Team Table

Assembly Instructions

Tools Required: Powered Screwdriver, Rubber Mallet, 4mm and 6mm Allen Key.





4 Leg Frame

1800 x 800mm
2400 x 1200mm

See Page 3



6 Leg Frame

3600 x 1200mm

See Page 6



8 Leg Frame

4800 x 1200mm

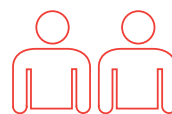
Follow 6 Leg Frame Instructions.

IMPORTANT NOTES!

Prior to installment, use or maintenance of the desk frame, any installer and any user of the desk must study this assembly and operation manual carefully, so as to gain a complete understanding of its content.



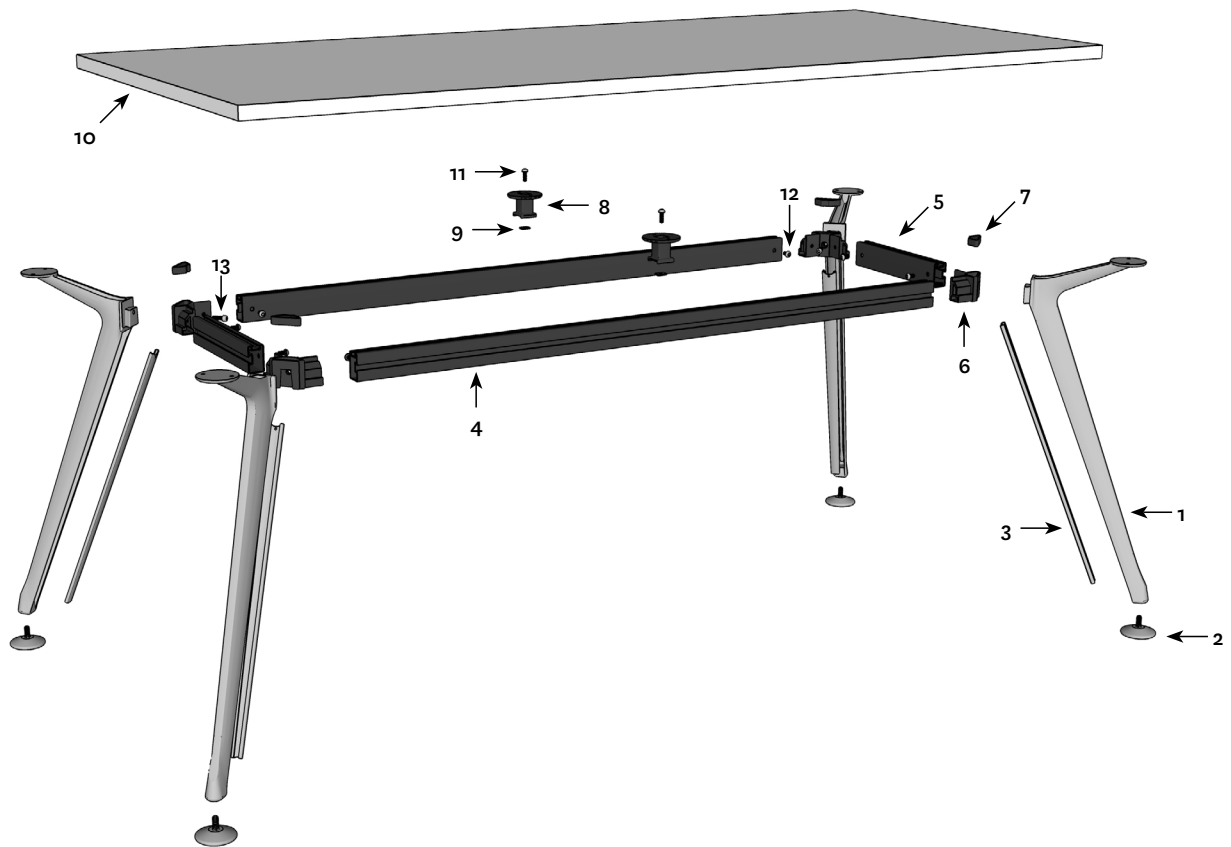
WARNING: FAILURE TO COMPLY WITH OR OBSERVE ALL ASSEMBLY, SAFETY AND OPERATION INSTRUCTIONS AND WARNINGS REGARDING THE USE OF THIS PRODUCT MAY RESULT IN SERIOUS BODILY INJURY.



**Recommended
2-person Step**

To prevent possible scratches or damage, assemble the table upside down on a soft surface such as a blanket, carpet or packaging.

Assembly Instructions



COMPONENTS

- 1** Leg x4
- 2** Adjustable Foot x4
- 3** Leg Cable Cover x4
- 4** Rail Lengths x2
- 5** Rail Widths x2
- 6** 2 Way Connector x4
- 7** 2 Way Connector Cap x4
- 8** Rail Spacer Bracket
(x2 for 1800x800mm)
(x6 for 2400x1200mm)

- 9** Slot Nut x2
- 10** Table Top x1

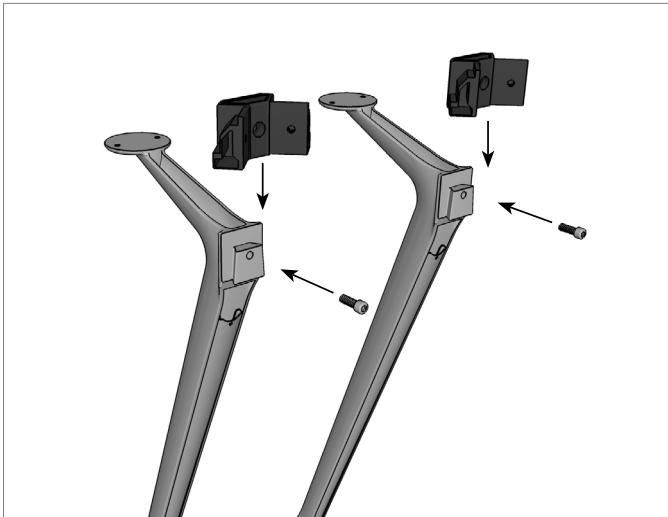
SCREWS

- 11** M8x20mm Dome Head x2
- 12** M8x12mm Dome Head x8
- 13** M8x20mm Cap Head x4
- 14** 10Gx20mm Self Tapping x12

Assembly Instructions

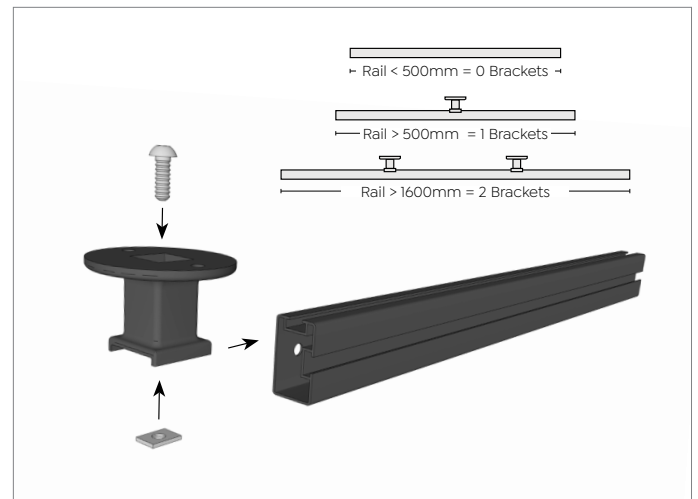
Step 1

Slide the 2 way connectors over each leg, and securely lock into place using M8x20mm cap head bolts.



Step 2

Loosely connect the M8x20mm dome head bolt and slot nut through the rail spacer bracket. Slide spacer bracket onto rail, align to centre and tighten. **See diagram below for number of spacer brackets and placement based on rail measurement between legs.**



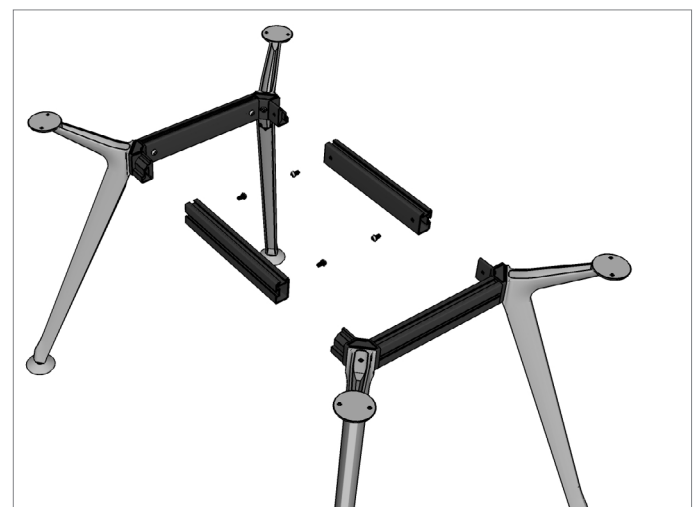
Step 2

Securely connect legs to rails widths using the M8x12mm dome head bolts. **To secure rails to connectors place the rail onto the connector and firmly tap the end of the rail with a rubber mallet.**



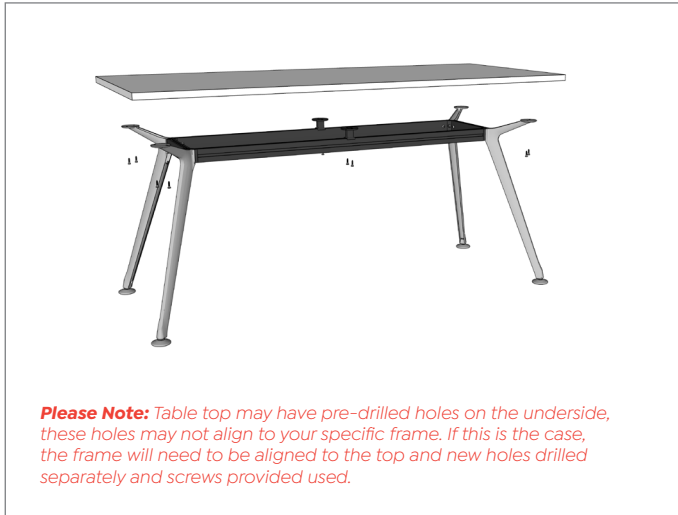
Step 3

Securely connect legs to rails lengths using the M8x12mm dome head bolts. **To secure rails to connectors place the rail onto the connector and firmly tap the end of the rail with a rubber mallet.**



Step 5

Ensure the worksurface is centered over the frame. Pre-drill holes in the worksurface. Fully tighten all 10Gx20mm self tapping screws through each leg and rail spacer bracket into the worksurface.



Step 6

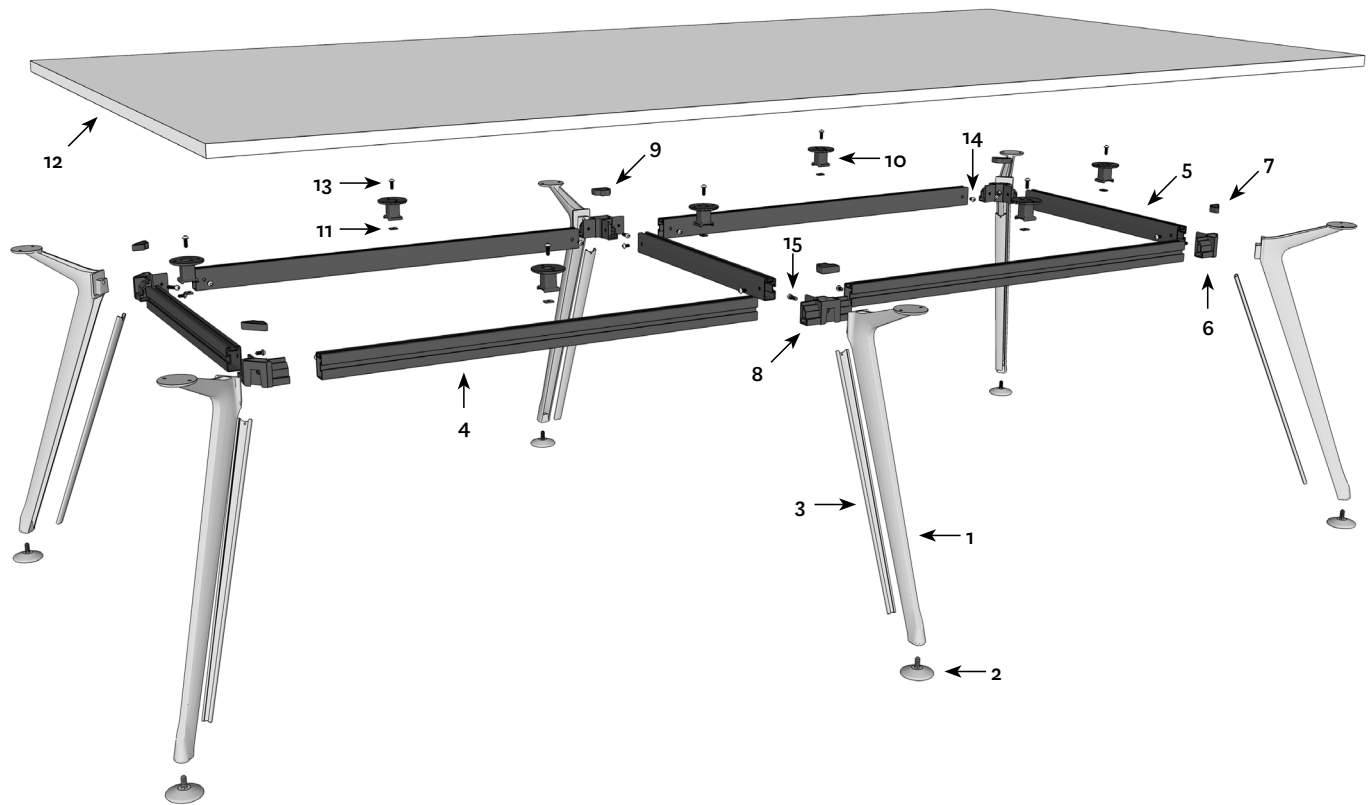
Conceal any power box cables using the clip leg cable covers.



Completed



Assembly Instructions



COMPONENTS

- 1** Leg x6
- 2** Adjustable Foot x6
- 3** Leg Cable Cover x6
- 4** Rail Lengths x4
- 5** Rail Widths x3
- 6** 2 Way Connector x4
- 7** 2 Way Connector Cap x4
- 8** 3 Way Connector x2
- 9** 3 Way Connector Cap x2

- 10** Rail Spacer Bracket x7

- 11** Slot Nut x7
- 12** Table Top x1

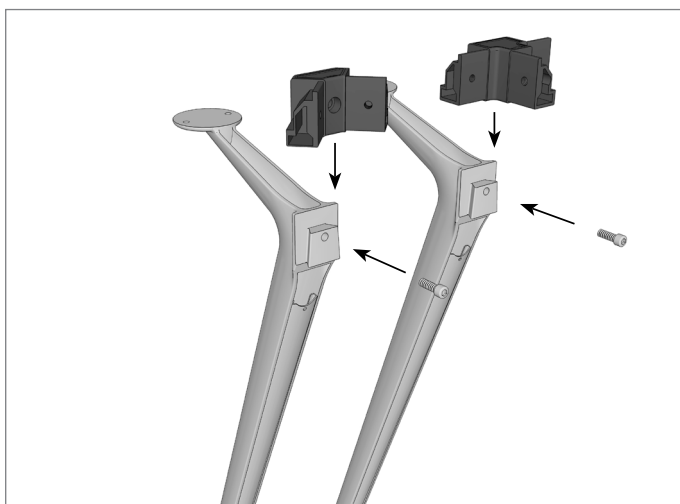
SCREWS

- 13** M8x20mm Dome Head x7
- 14** M8x12mm Dome Head x14
- 15** M8x20mm Cap Head x6
- 16** 10Gx20mm Self Tapping x26

Assembly Instructions

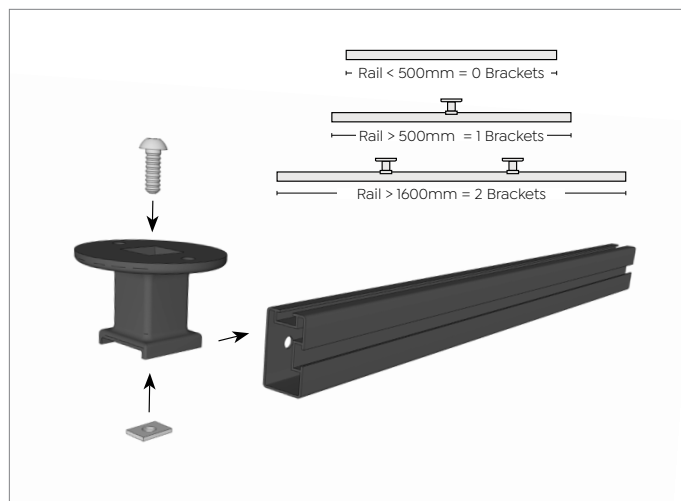
Step 1

Slide the 2 way and 3 way connectors over each leg, and securely lock into place using M8x20mm cap head bolts.



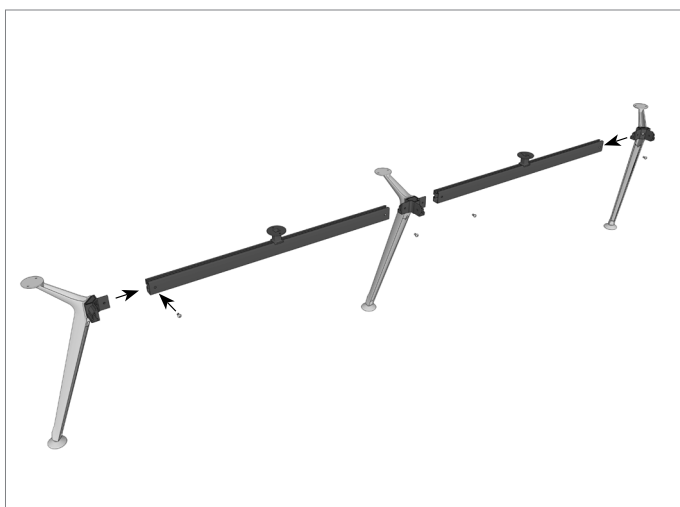
Step 2

Loosely connect the M8x20mm dome head bolt and slot nut through the rail spacer bracket. Slide spacer bracket onto rail, align to centre and tighten. **See diagram below for number of spacer brackets and placement based on rail measurement between legs.**



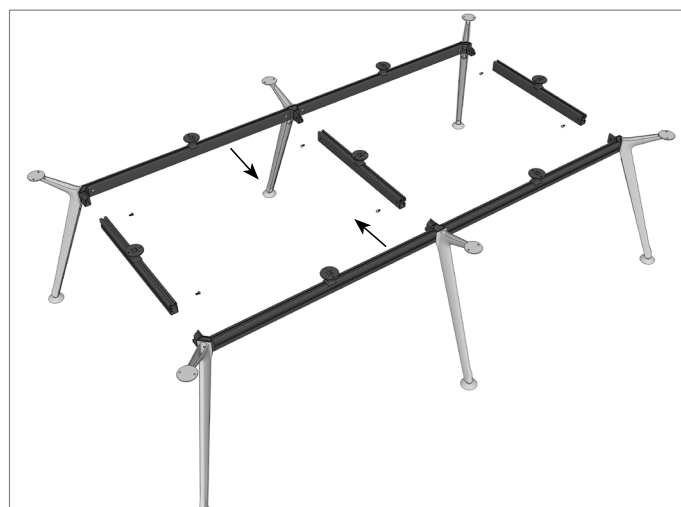
Step 3

Securely connect legs to rails lengths using the M8x12mm dome head bolts. **To secure rails to connectors place the rail onto the connector and firmly tap the end of the rail with a rubber mallet.**



Step 4

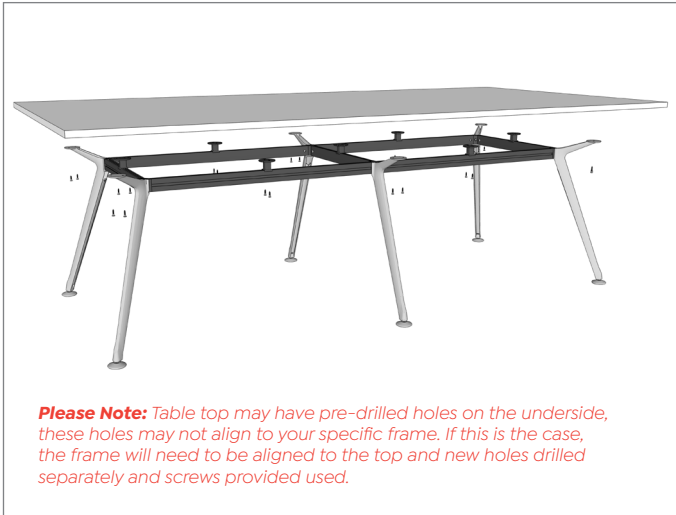
Securely connect legs to rails widths using the M8x20mm dome head bolts. **To secure rails to connectors place the rail onto the connector and firmly tap the end of the rail with a rubber mallet.**



Assembly Instructions

Step 5

Ensure the worksurface is centered over the frame. Pre-drill holes in the worksurface. Fully tighten all 10Gx20mm self tapping screws through each leg and rail spacer bracket into the worksurface.



Step 6

Conceal any power box cables using the clip leg cable covers.



Completed

