

## Modella II Table Instructions



### Tools Required:



Battery Drill



Driver Bit Hex (Size: 4mm)



Driver Bit Square #2



Configuration:

Page Number:

Image:

Coffee Table

3-4



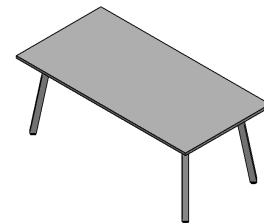
Seated Round Table - 3 Leg

5-6



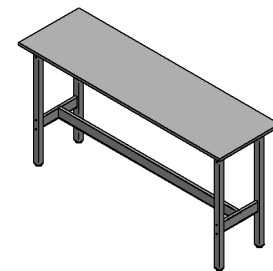
Seated - 4 leg Table

7-8



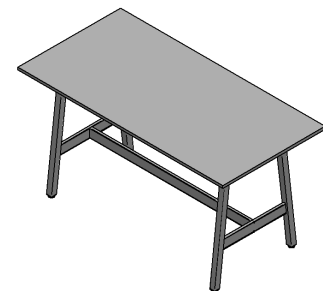
Narrow Leaner

9-11

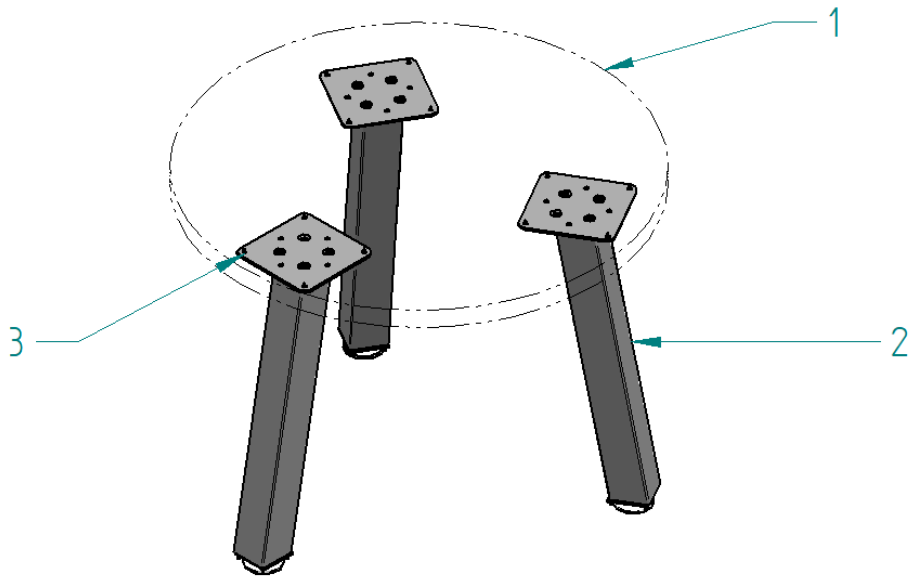


Leaner Static / Mobile

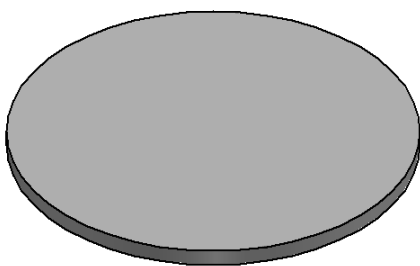
12-14



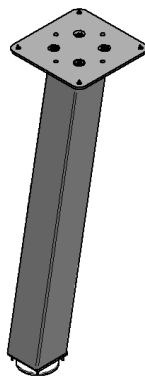
## Modella II Coffee Table



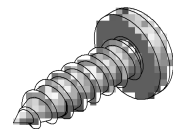
### Parts list:



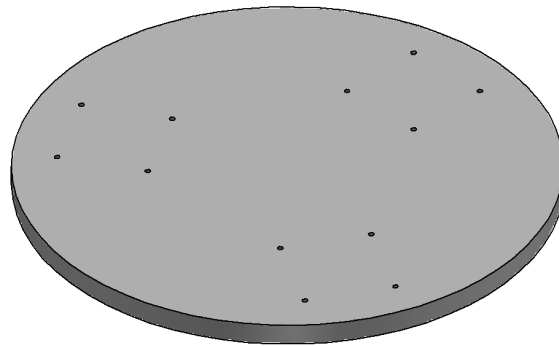
Part 1: Table Top



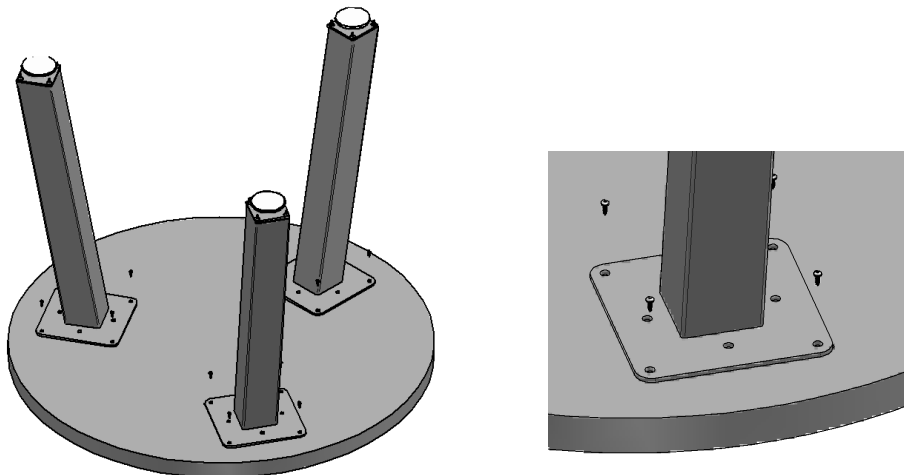
Part 2: Modella II Coffee Table Leg



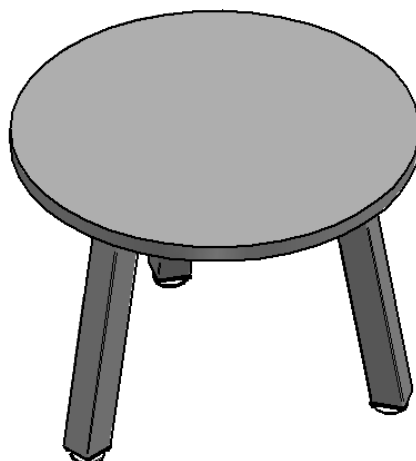
Part 3: Pan Head Wood Screw

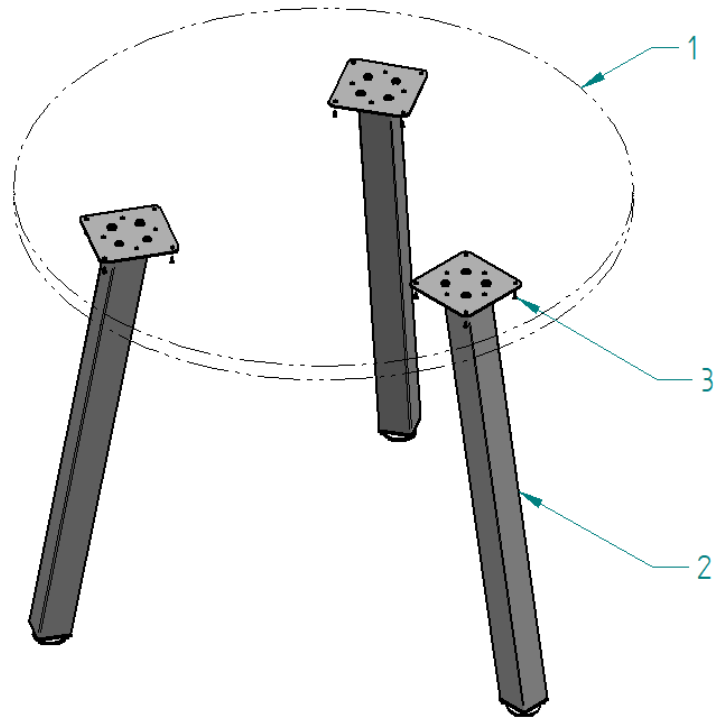


Step 1: Place the table top face down on a clean flat surface.

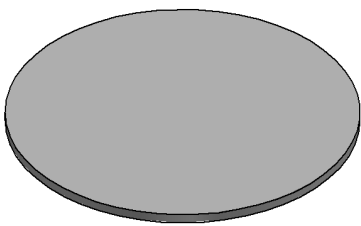


Step 2: Attach the Leg to the table top using the Part 3. Use the location holes on the table top to position the legs.

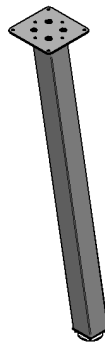




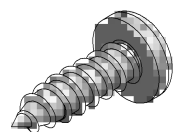
## Parts list:



Part 1: Table Top

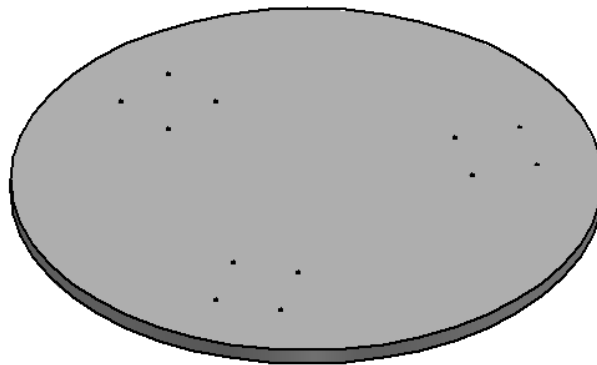


Part 2: Modella II Single Leg

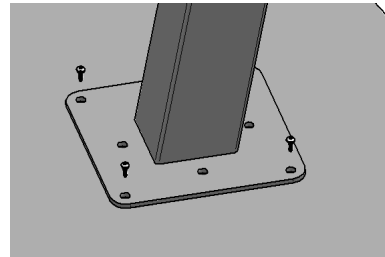
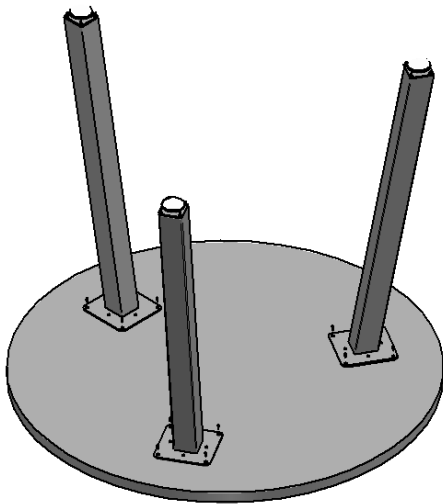


Part 3: Pan Head Wood Screw

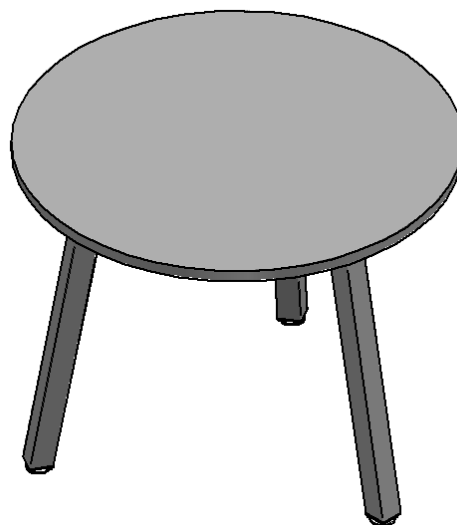




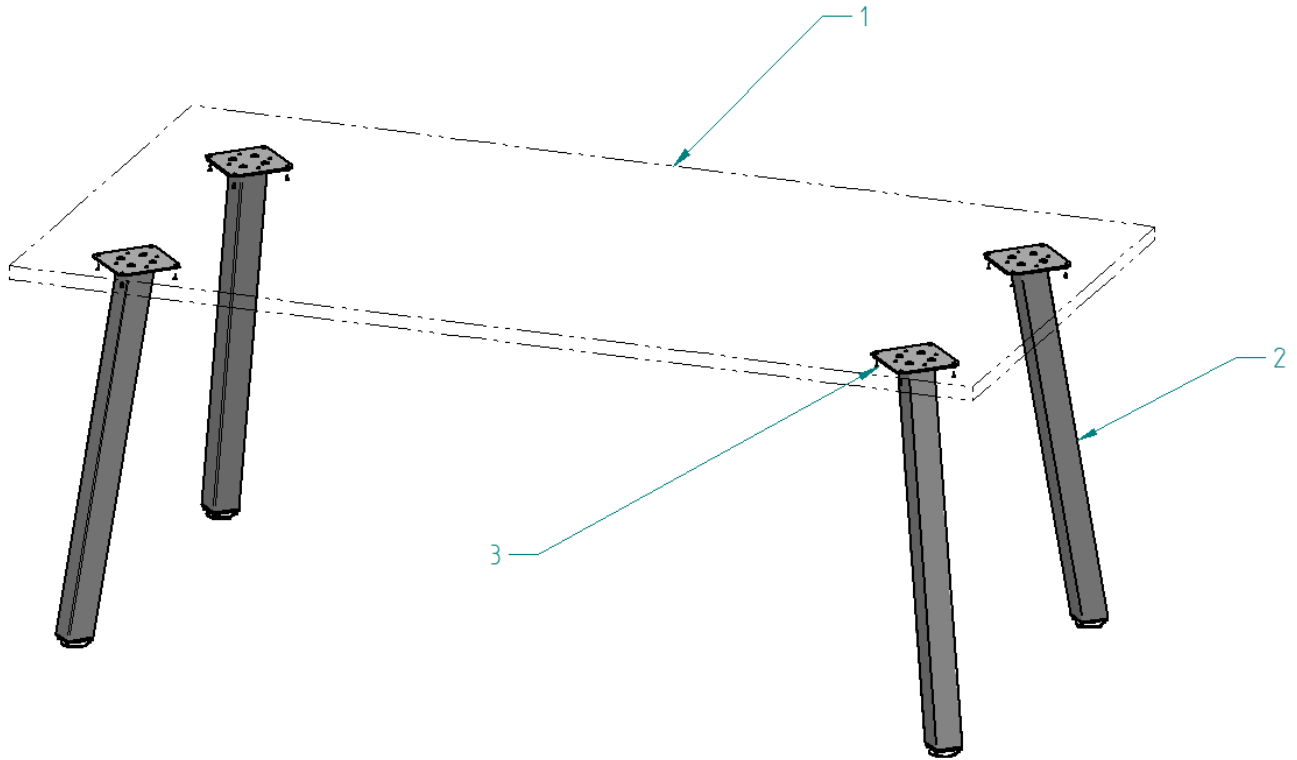
Step 1: Place the table top face down on a clean flat surface.



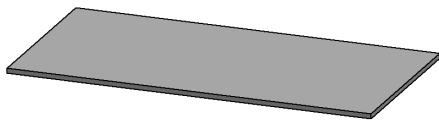
Step 2: Attach the Leg to the table top using the Part 3. Use the location holes on the table top to position the legs.



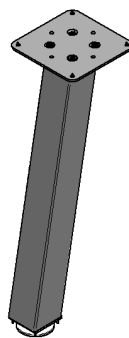
## Seated 4 leg Table



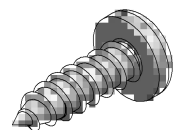
### Parts list:



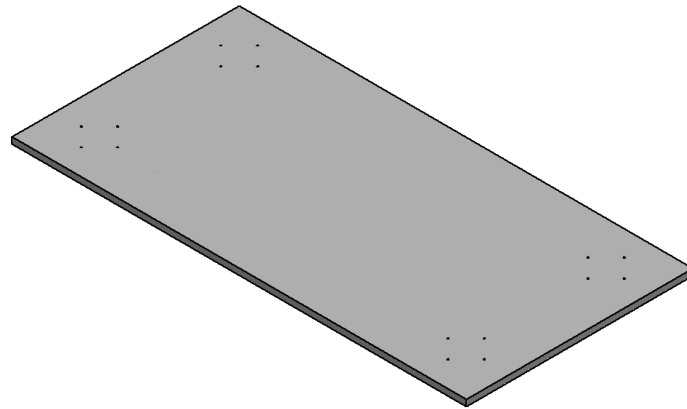
Part 1: Table Top



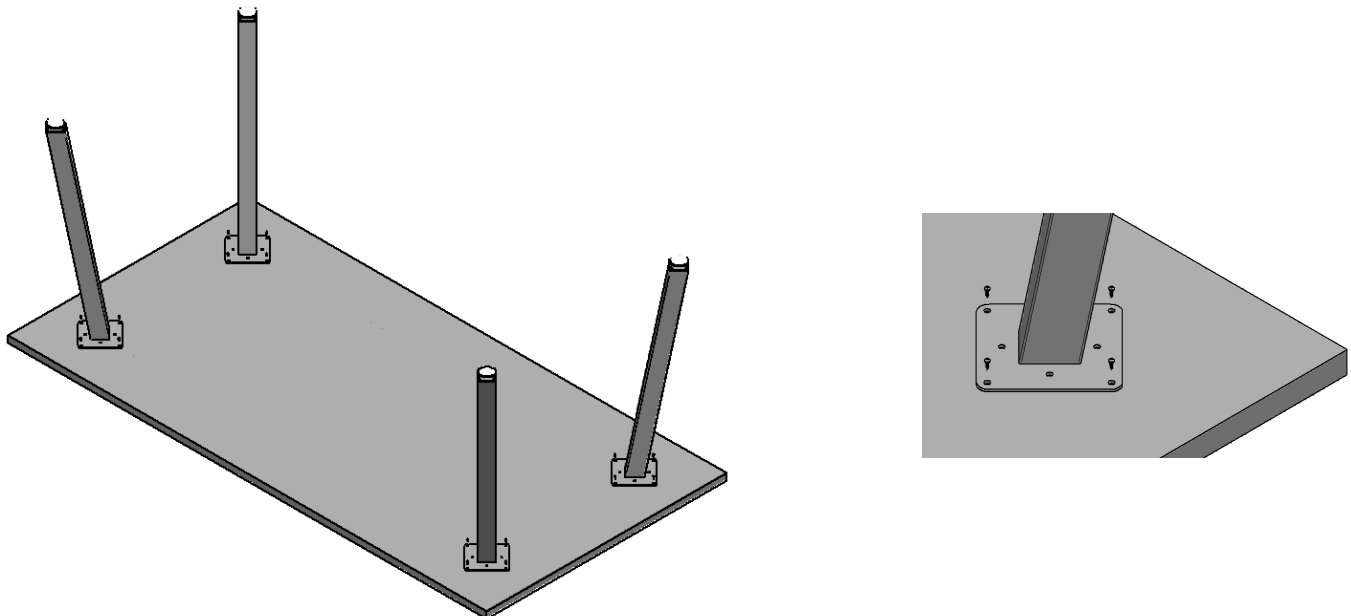
Part 2: Modella II Table Leg



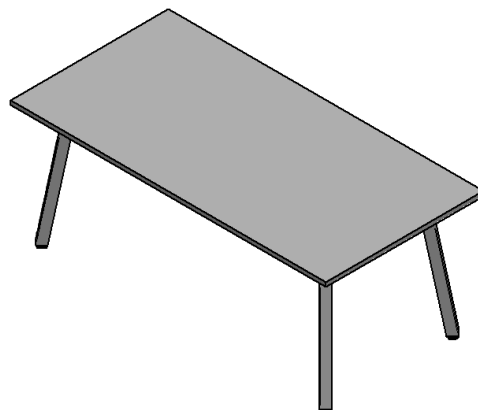
Part 3: Pan Head Wood Screw



Step 1: Place the table top face down on a clean flat surface.

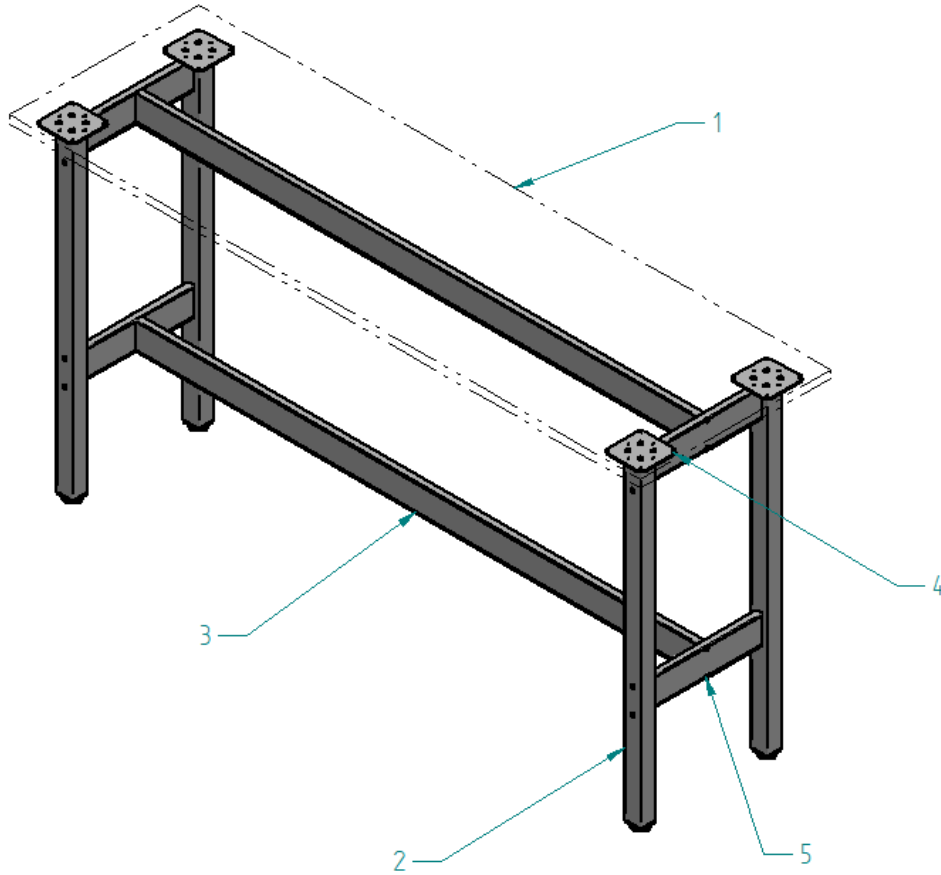


Step 2: Attach the Leg to the table top using the Part 3. Use the location holes on the table top to position the legs.

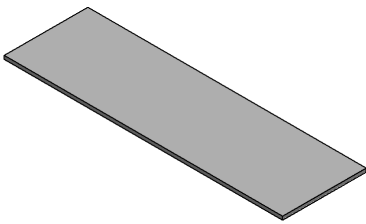




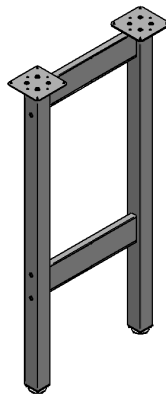
## Narrow Leaner



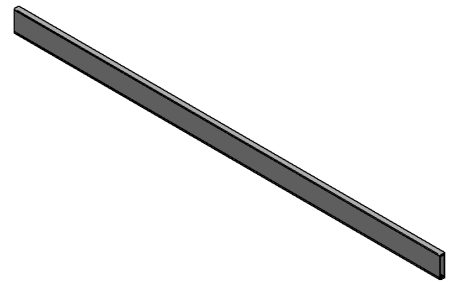
### Parts list:



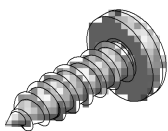
Part 1: Table Top



Part 2: 2 x Modella II Narrow Leg



Part 3: 2 x Beam

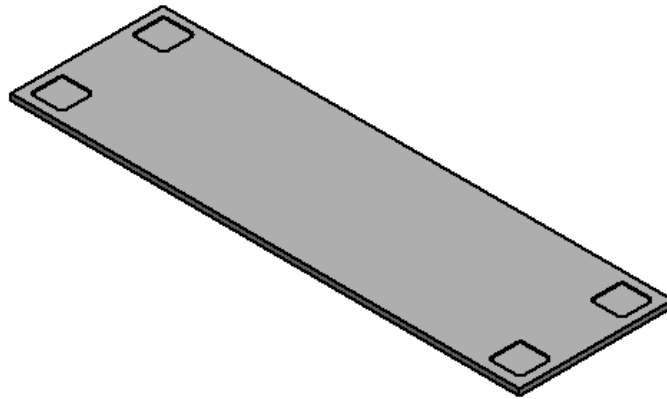


Part 4: 16 x Pan Head Wood Screw

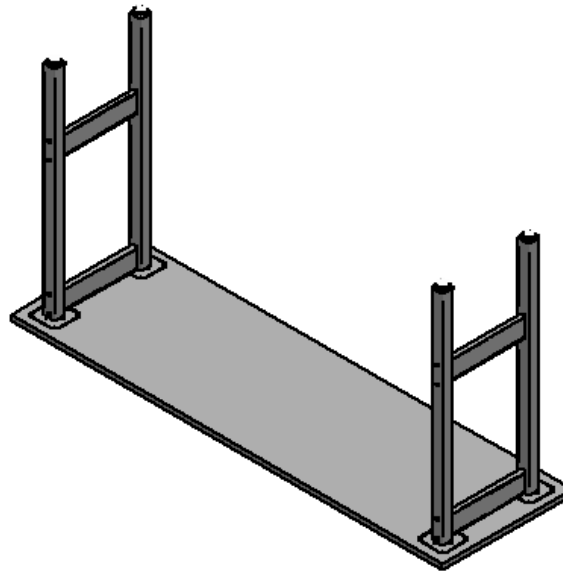


Part 5: 8 x M6 x 50 Bolt

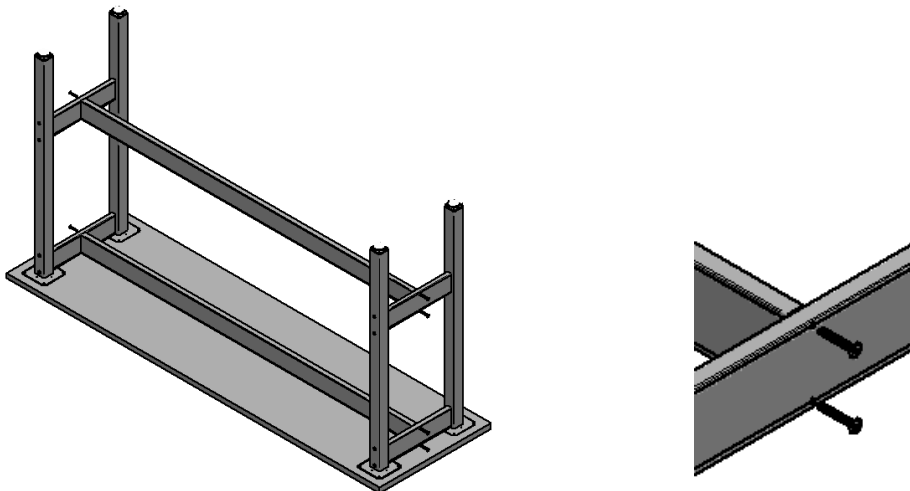




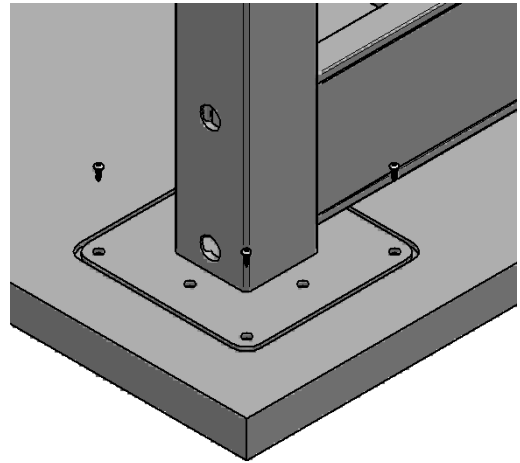
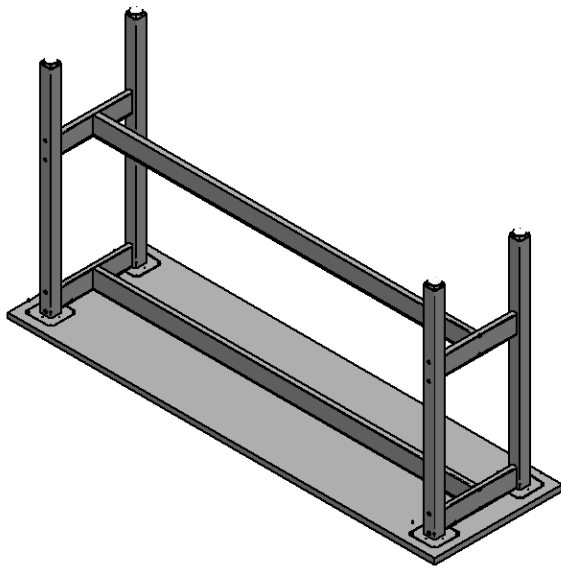
Step 1: Place the table top face down on a clean flat surface.



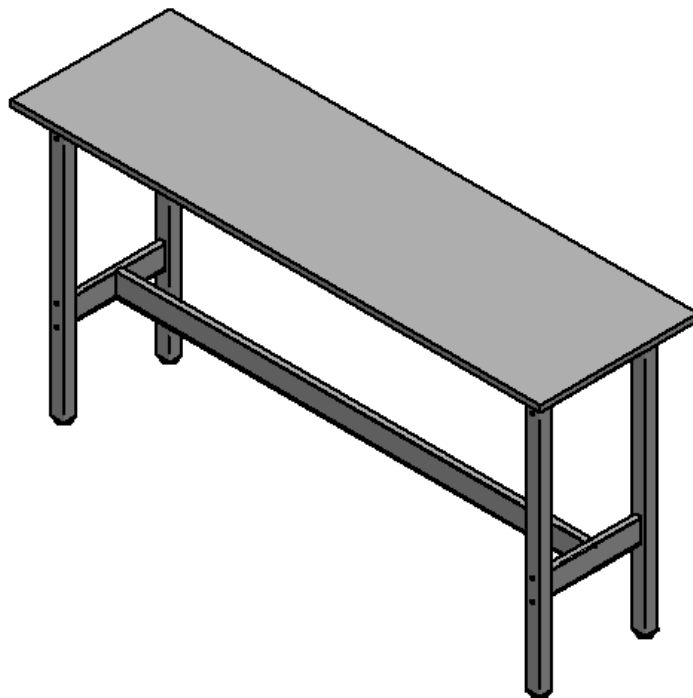
Step 2: Place the Legs frame on top of the table top.



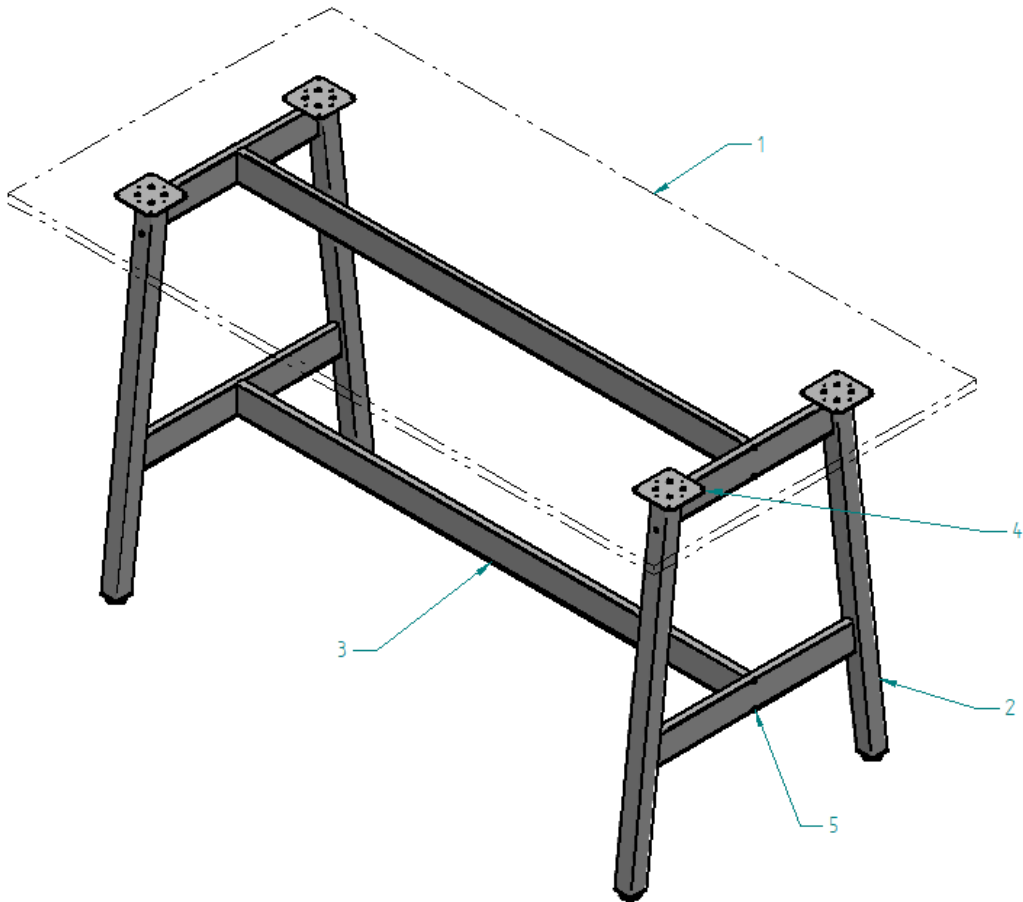
Step 3: Attach the beams to the leg frames using Part 5.



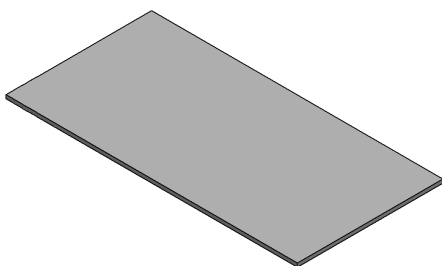
Step 4: Attach the Modella II Table frame to the table top using Part 4.



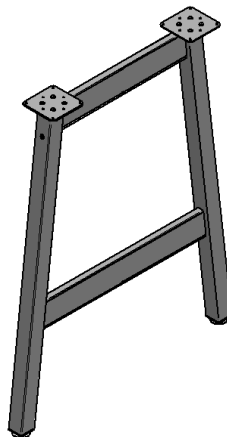
Leaner Static / Mobile



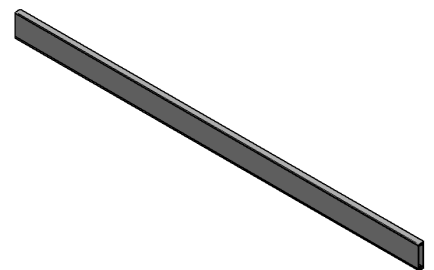
Parts list:



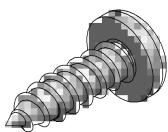
Part 1: Table top



Part 2: 2 x Modella II Angled Leamer Frame



Part 3: 2 x Modella II Beam

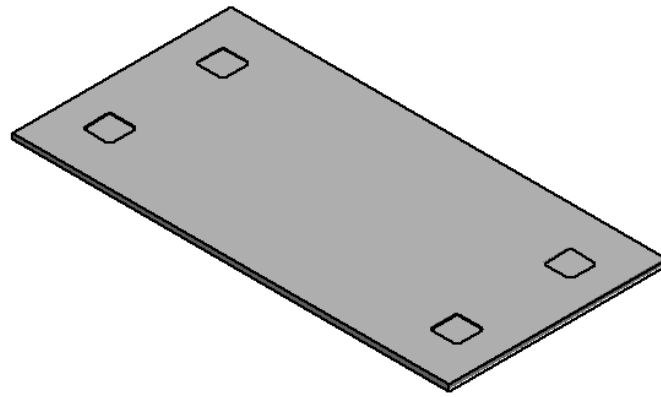


Part 4: 16 x Pan Head Wood Screw

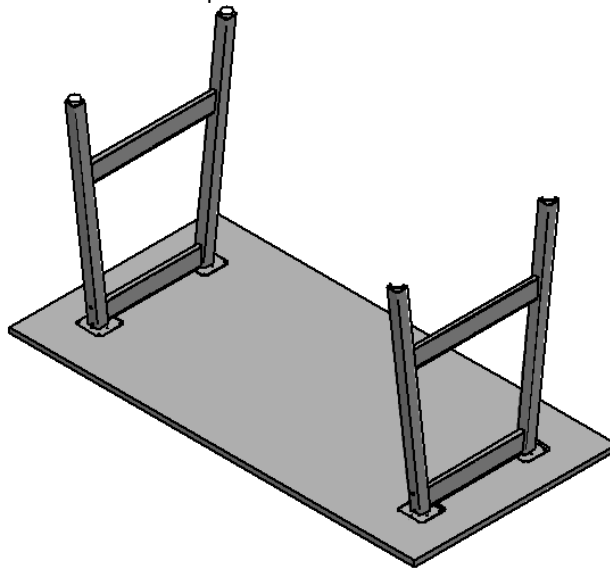


Part 5: 8 x M6 x 50 Bolt

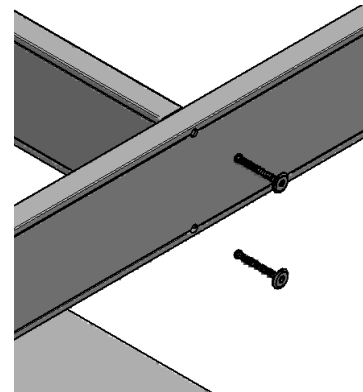
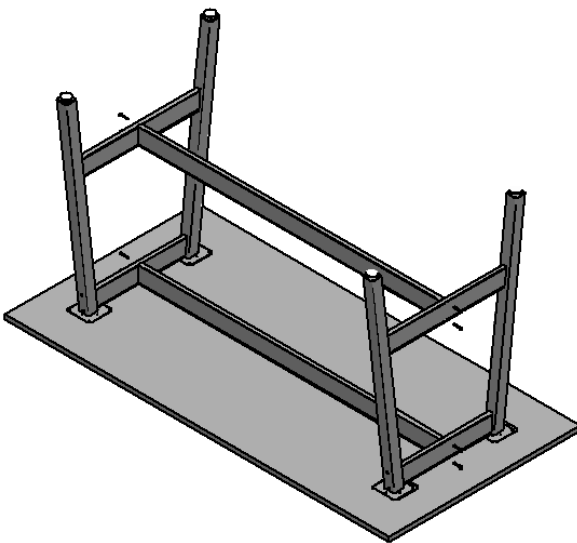




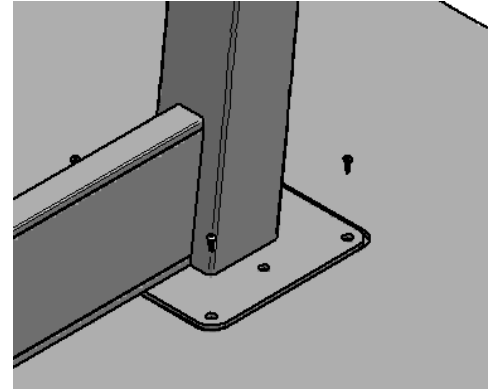
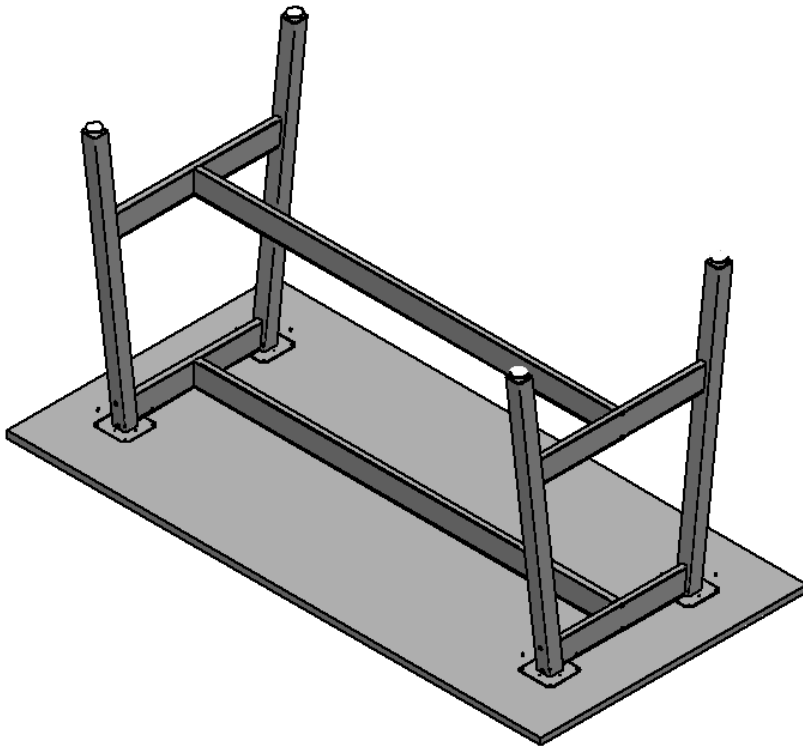
Step 1 : Place the table top face down on a clean flat surface.



Step 2: Place the Legs frame on top of the table top.



Step 3: Attach the beams to the leg frames using Part 5.



Step 4: Attach the Modella II Table frame to the table top using Part 4.

