

ASSEMBLY INSTRUCTIONS







MODEL : MX2 MBBF
DESC : BOX/BOX/FILE MOBILE PEDESTAL(2D1F)

DOC. NO : RD-F05-AT
 REV. NO : A
 REV. DATE : 25.08.2006

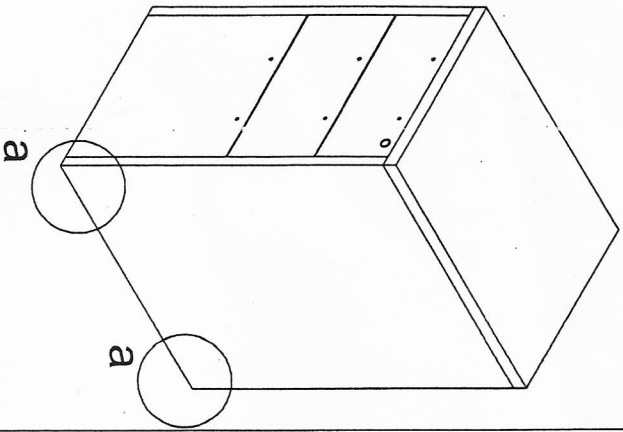
Thanks you for purchasing this quality product. Be sure to lay all components on a soft and clean surface before assembly in order to avoid components from being scratched.

CAUTIONS :

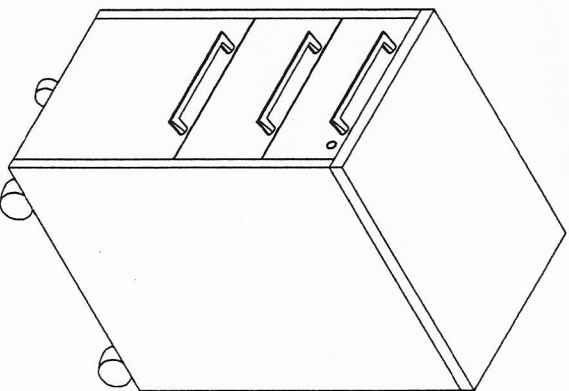
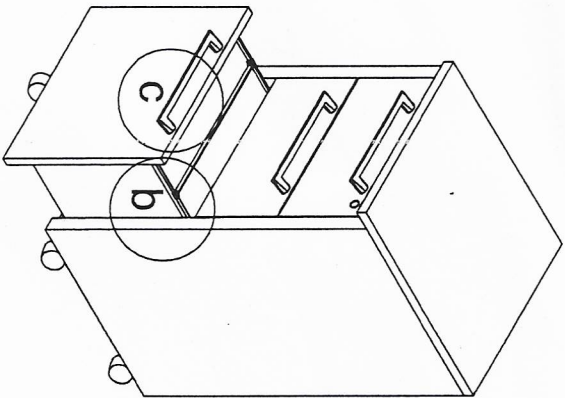
1. Check contents against list for quantity.
2. Familiarize yourself with the components and hardware by reviewing the Assembly Instructions.
3. Do not over tightened the screws and bolts as it may damage the threads.
4. Keep all hardware parts out of the reach of children.

A  50MM Plate Castor(W/O LOCK) 3 Pcs	B  50MM Plate Castor(W/ LOCK) 2 Pcs	C  Screw #3.5 x 10mm 20 Pcs	D  File Clip 2 Pcs	E  302 x 16 x 3mm Aluminum Bar 1 Pcs	F  Handle with Screw 3 Pcs
--	---	--	--	---	---

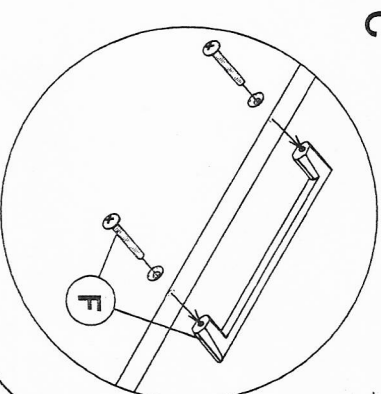
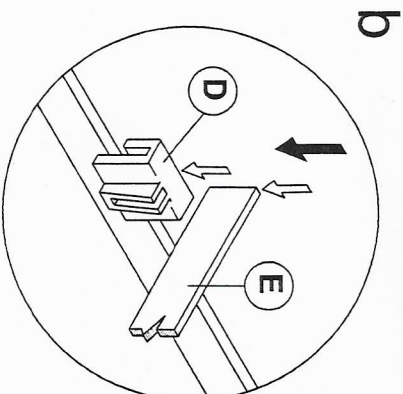
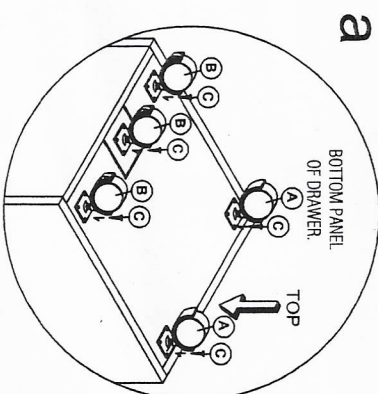
STEP 1



STEP 2



COMPLETED ASSEMBLY



REV. : A DATE : 06-12-2021
 Remark: At least 2 person to assembly this product.