

ASSEMBLY

INSTRUCTIONS

MODEL : MX2 1570

DESC : STANDARD DESK WITH METAL LEG

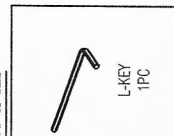
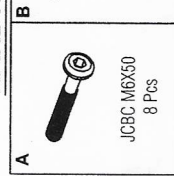
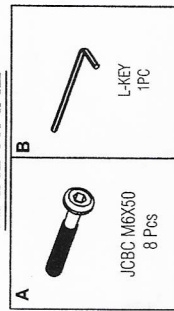
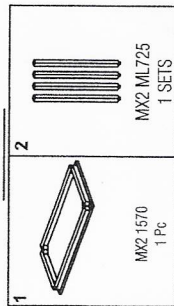
DOC. NO : RD-F05-AT
REV. NO : A
REV. DATE : 01.01.2017

Thanks you for purchasing this quality product. Be sure to lay all components on a soft and clean surface before assembly in order to avoid components from being scratched.

CAUTIONS :

1. Check contents against list for quantity.
2. Familiarize yourself with the components and hardware by reviewing the Assembly Instructions.
3. Do not over tighten the screws and bolts as it may damage the threads.
4. Keep all hardware parts out of the reach of children.

PARTS

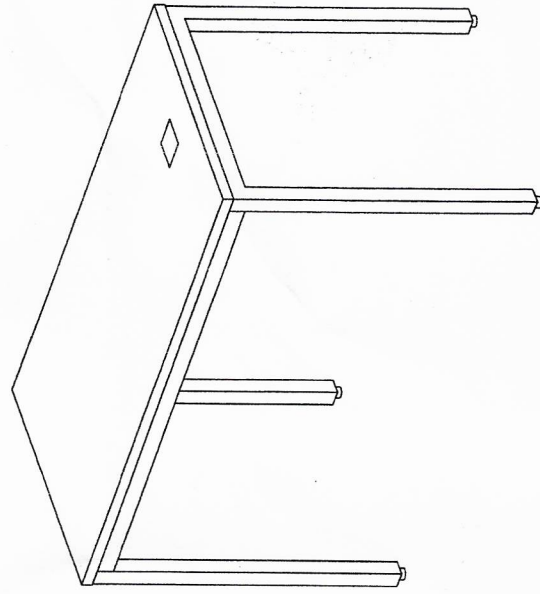
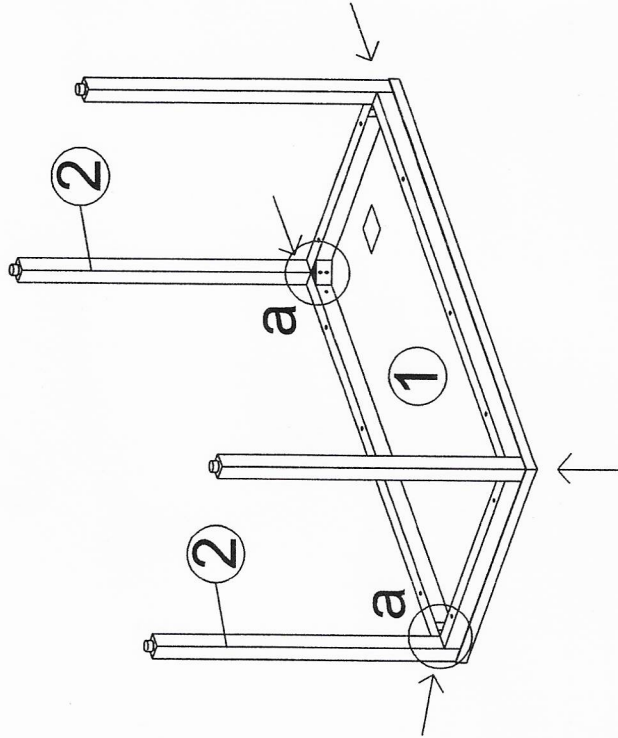
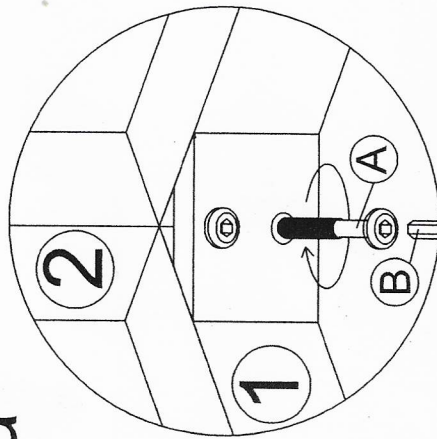


PACKED WITH MX2 ML725

REV. : A DATE : 06-12-2021
Remark: At least 2 person to assembly this product.

STEP 1:

a



COMPLETED ASSEMBLY