

Evolve Manual Standing Desk Assembly Instructions

Thanks for choosing to purchase your desk from Uno Furniture. We are confident you will be happy with your Evolve Manual Standing Desk

Here are some additional assembly notes to help you put your desk together.

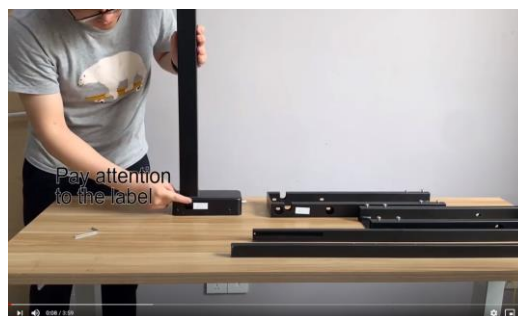
- Please watch the assembly video before assembling.

<https://youtu.be/DQjvvVGQ44Q>

- Evolve desks come in two boxes, the base and the desktop. The base requires assembly before attaching it to the desktop.
- It is best to assemble the desk **upside down** then flip it over.
- The **rubber washers** provided are not mentioned in the assembly instructions, these go in the screw holes between the frame and the desktop.



- **The legs only go one way**, please pay particular attention to .08 seconds in on the assembly video:



- The desktop you have is used for a number of different bases, some use threaded holes and some use the self-tapping wood screws.
 - On the 700mm deep desktops 2 of the threaded holes align to the oblong holes on the frame, for every other desktop and hole on the 700 deep please use the self-tapping wood screws provided, so please ignore any other threaded holes in the desk top.



- It is best to use a battery drill to fasten your desk top to the frame. (pilot holes are **not** required)

Some Tips to keep your desk in tip top shape:

Tip #1

Please note if you need to move the desk it is important to bring the desk to the lowest point before attempting that, otherwise damage may occur.

Tip #2

You may wish to check the machine screws periodically for tightness to keep the desk as sturdy as possible.

Please don't hesitate to contact us if you have any questions.

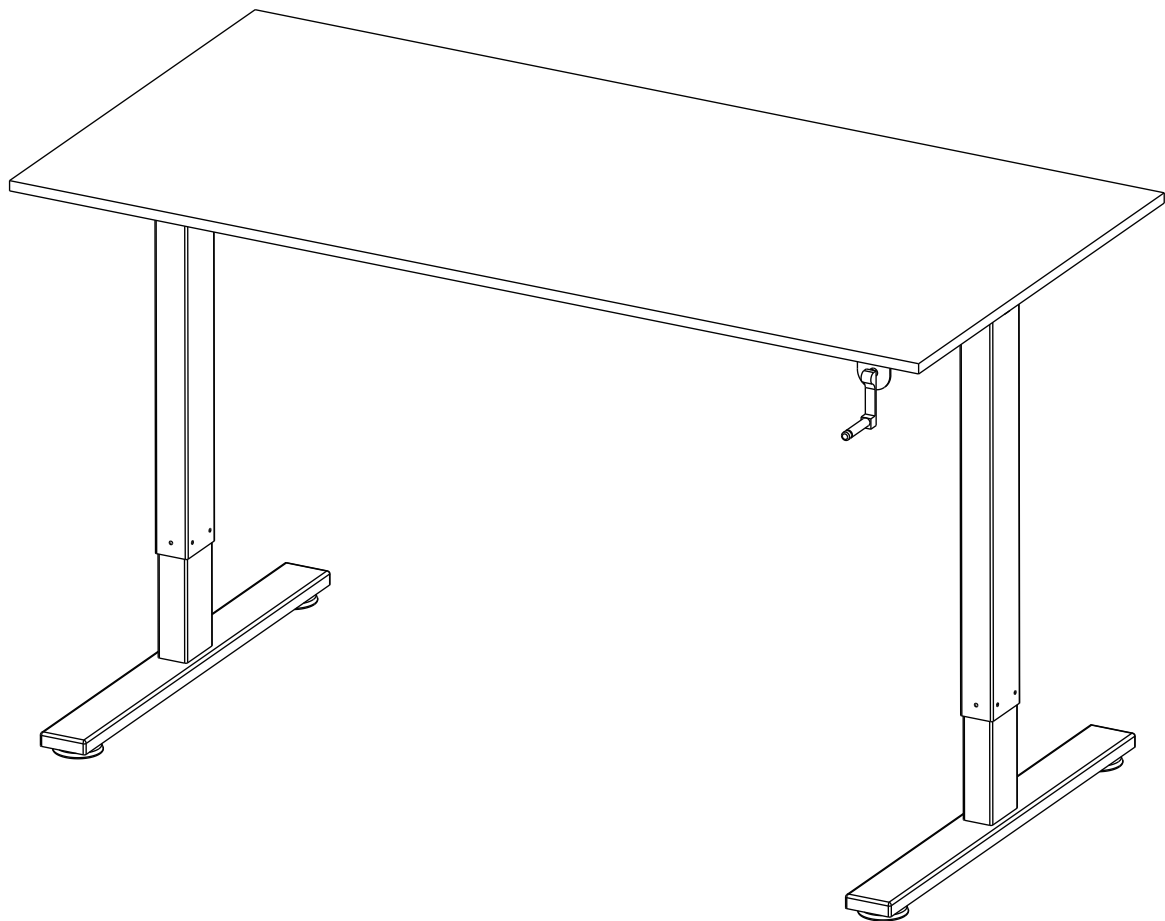
Phone 0800 400 010

info@unofurniture.co.nz

<https://unofurniture.co.nz/>

Crank Height Adjustable Desk

ASSEMBLY & USE INSTRUCTIONS



CAUTION/INFORMATION



Make sure no obstacles are in the desk 's path.
Make sure the desktop is not touching any walls.
Make sure all cords are appropriate length to accommodate the change in height.



WARNING

Pinch Point
Keep hands and fingers clear.



Keep children away from height-adjustable desks, There is a risk of injury.



Keep all components away from liquids.



Do not sit or stand on the desk frame.
Do not crawl or lie under the desk frame.



This height adjustable desk is designed for use in dry work areas only.



USE / LIABILITY

The desk height is adjustable so that it can be positioned at the most ergonomically suitable height.

Any other use is at user's risk.

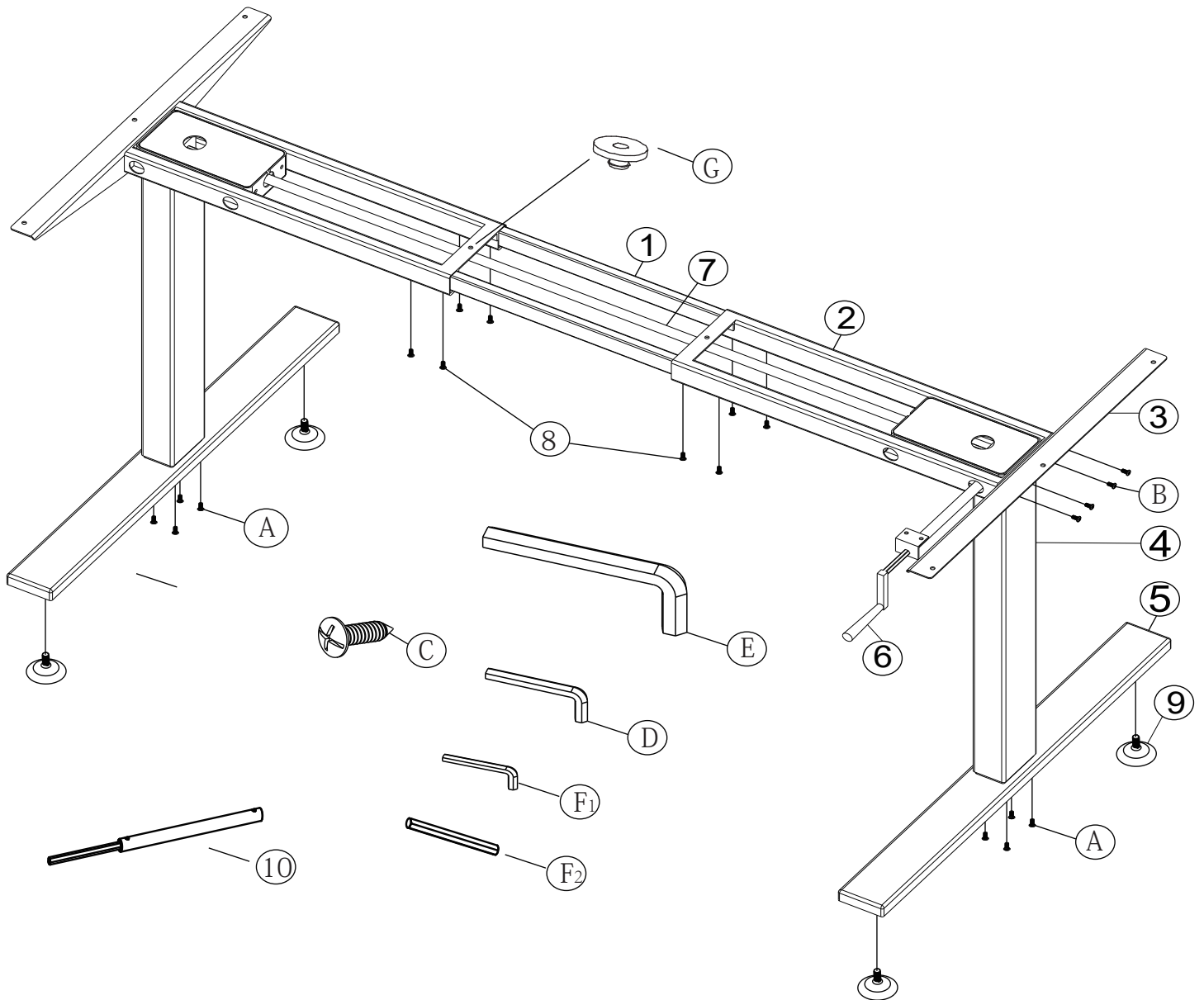
Under no circumstances does the manufacturer accept warranty claims or liability claims for damages caused from improper use or handling of the desk frame.

IMPORTANT:

Please read this manual carefully.

If this desk is sold, please provide this manual to the buyer.

Components List



	Components	qty
1	Crossbar Center Rail	2
2	Crossbar End	2
3	Side Bracket	2
4	Leg	2
5	Foot	2
6	Handle	1
7	Connecting link	1
8	Machine Screws:M6x10	8
9	Foot Glides	4
10	Extended Connecting link	1

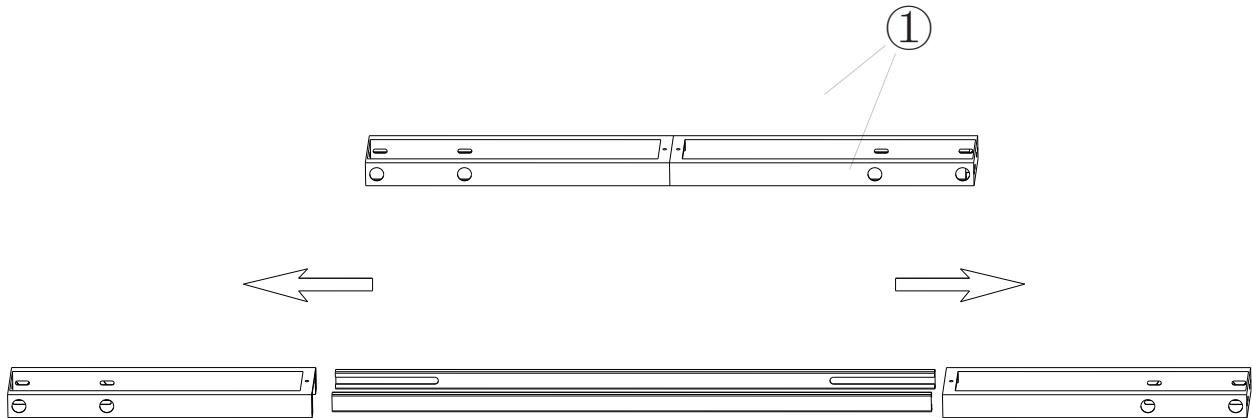
A	Machine Screws:M6x20	8
B	Machine Screws:M6x16	20
C	Wood Screws:ST M5x16	12
D	5mm Allen Key	1
E	4mm Allen Key	1
F1	2.5mm Allen Key	1
F2	4mm Allen Key for drill	1
G	Desktop Gaskets	8

STEP 1

Lay out all components and hardware to ensure that you have all components and hardware listed on the parts page.

Fully separate the Crossbar Ends(#2),

You will find the Crossbar center rails(#1),



STEP 2

Place one of the legs as shown ensuring that the Crossbar End (arrow) is on top in relation to the leg.

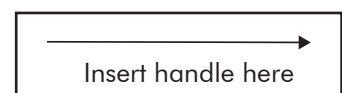
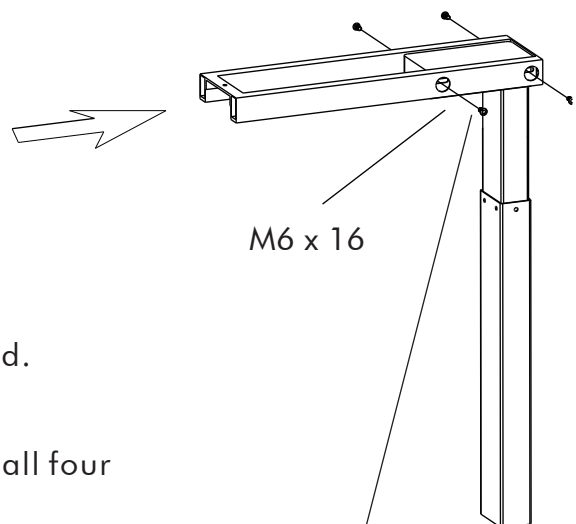
Line up the holes on each leg with the holes on each Crossbar End (#2).

Using the supplied Allen Wrench(# E),
Insert four M6x16 screws(# B) and tighten them.

Do the same for the other leg and the Crossbar End.

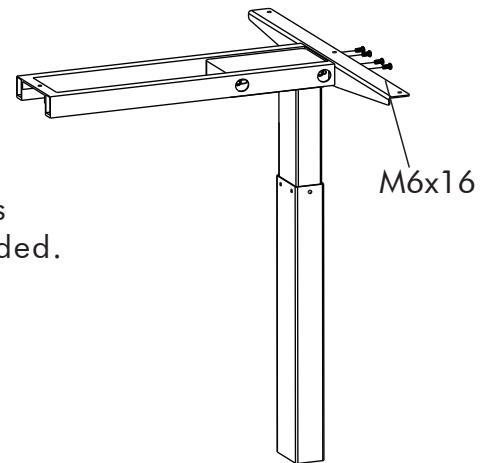
Please note do not tighten the screws at first, after all four screws are inserted, then tighten them all.

Please note there is a sticker as shown on one leg and one cross bar end, please make sure the stickers are lined up.



STEP 3

Attach the side bracket (#3) to the leg as shown, Insert four M6x16 Screws (# B) through the four holes of the side bracket (#3). Using the Allen Wrench included.

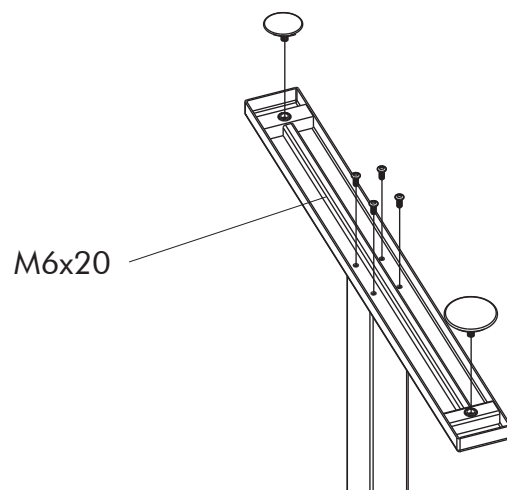


Do the same for the other frame and leg assembly.

STEP 4

Attach a Foot(#5) with four M6x20 Machine Screws(#A) using the Allen Key(#D) and tighten screws in a cross pattern.

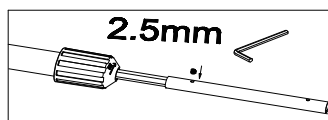
Position two Foot glides(#9) on the foot and tighten them.



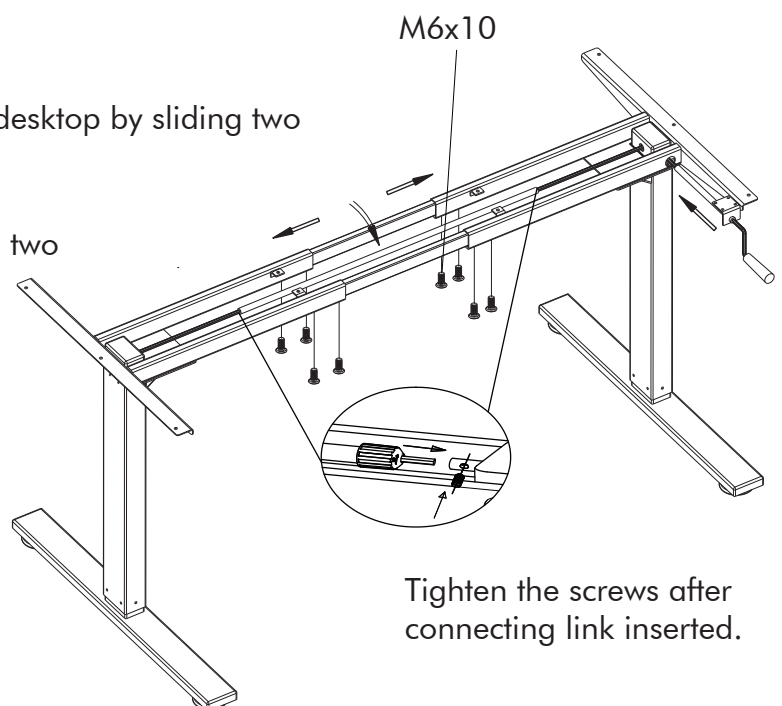
STEP 5

Adjust the width of the desk base to fit the desktop by sliding two halves outward.

Loosen the screws in the hexagonal tube on two sides with Allen Key(#F).



Insert the Connecting link(#8) in the middle of the desk base, adjust its length and tighten the knobs on the connecting link as shown in the diagram.

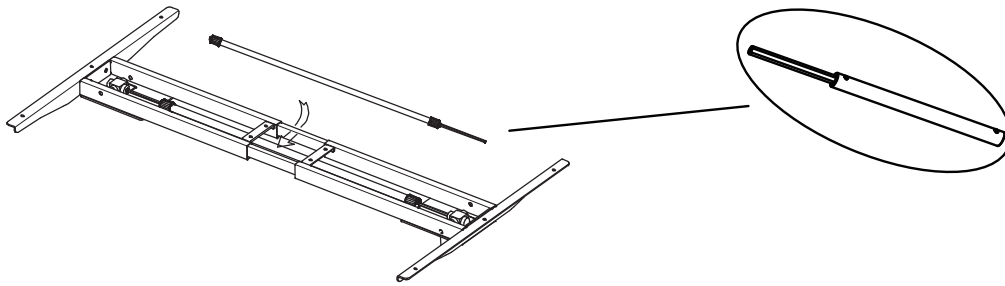


Tighten the screws after connecting link inserted.

Lock the position of the Crossbar center Rails(#1) by using eight M6x10 Machine screws(#8).

STEP 6

If your desktop is longer than 1600mm, please use the Extended Connecting Link (#10) to add to Connecting link(#7) for extra length.

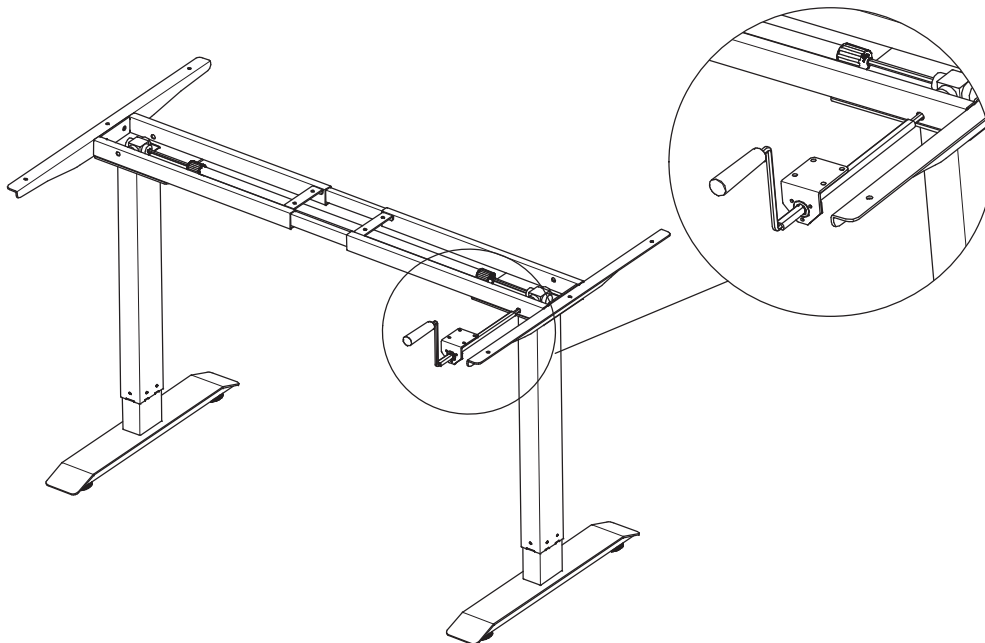


STEP 7

Please note the position of the handle as shown.

Insert the handle as the sticker on the Cross Bar End indicates.

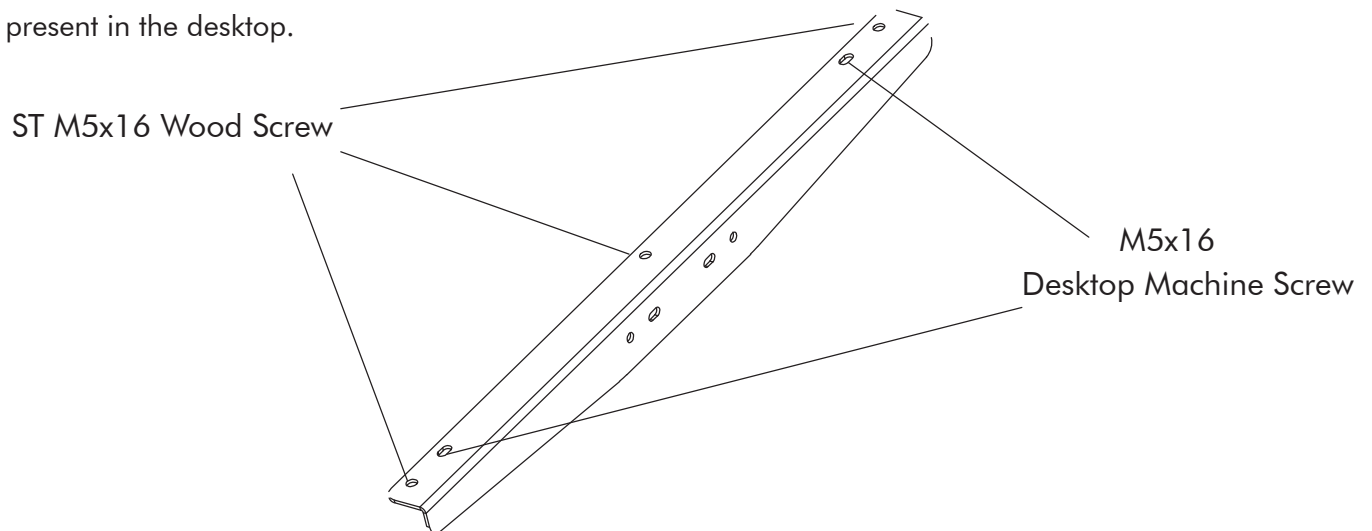
Adjust the length of the Handle (#6) as per desktop width, tighten the screw on the Handle connecting.



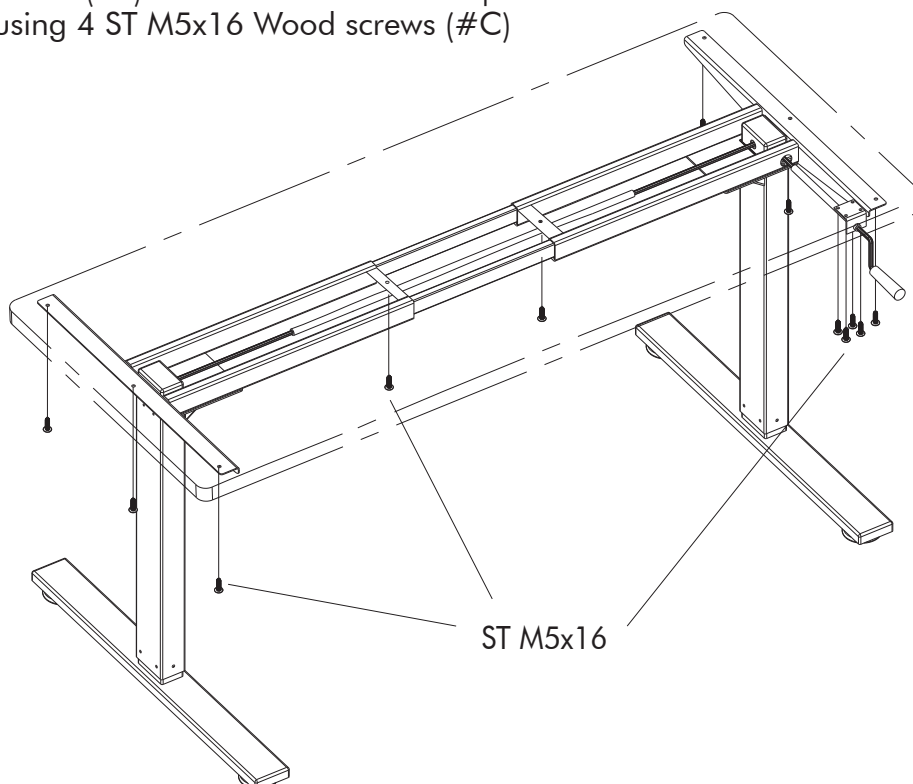
STEP 8

Confirm the desk base is properly positioned on the underside of the desktop.

Attach the desk base to the underside of the desktop by using 3 ST M5x16 Wood screws (#C) per side bracket, or 2 Desktop Machine Screws (#B) per side bracket if corresponding threaded holes are present in the desktop.



Attach the Handle(#6) to the underside of desktop as shown using 4 ST M5x16 Wood screws (#C)



Please note: do not overtighten screws.
Overtightening can cause damage to the components.