

Ergoplan Workstation

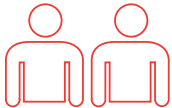
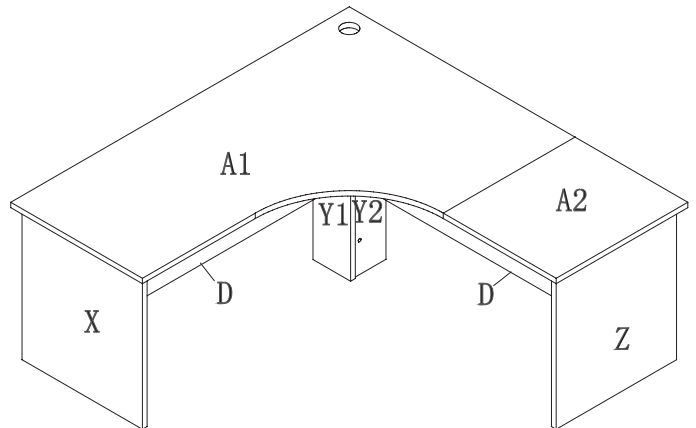
Assembly Instructions

Tools Required: Powered Screwdriver

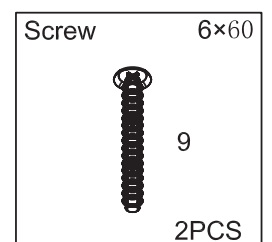
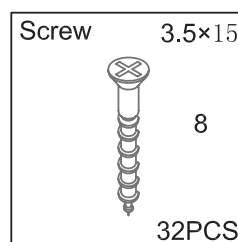
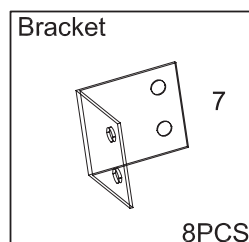
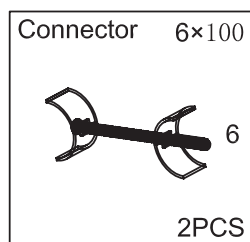
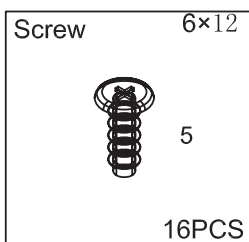
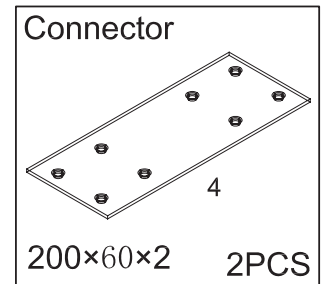
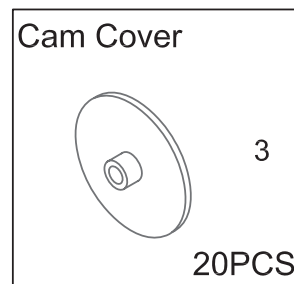
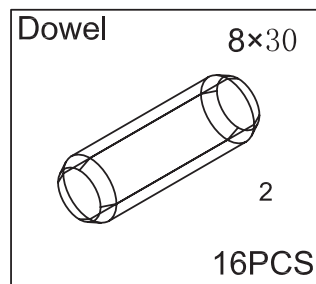
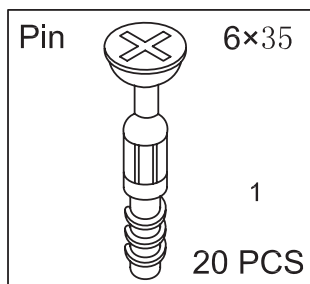
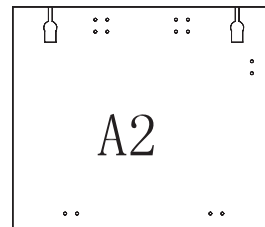
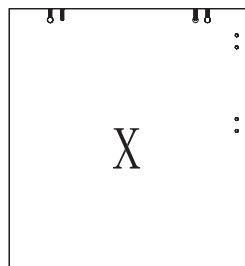
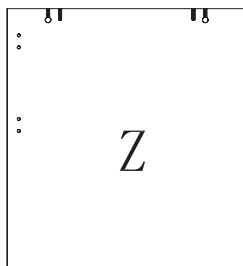
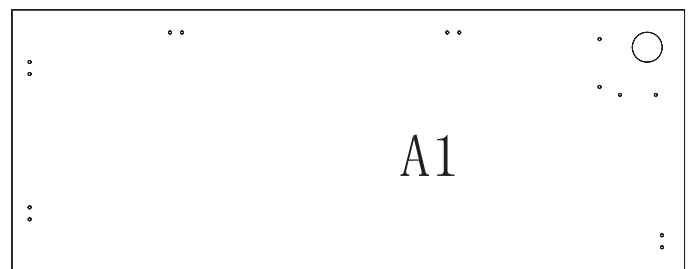
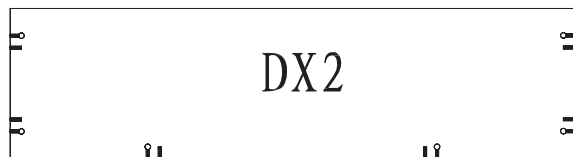


Assembly Instructions

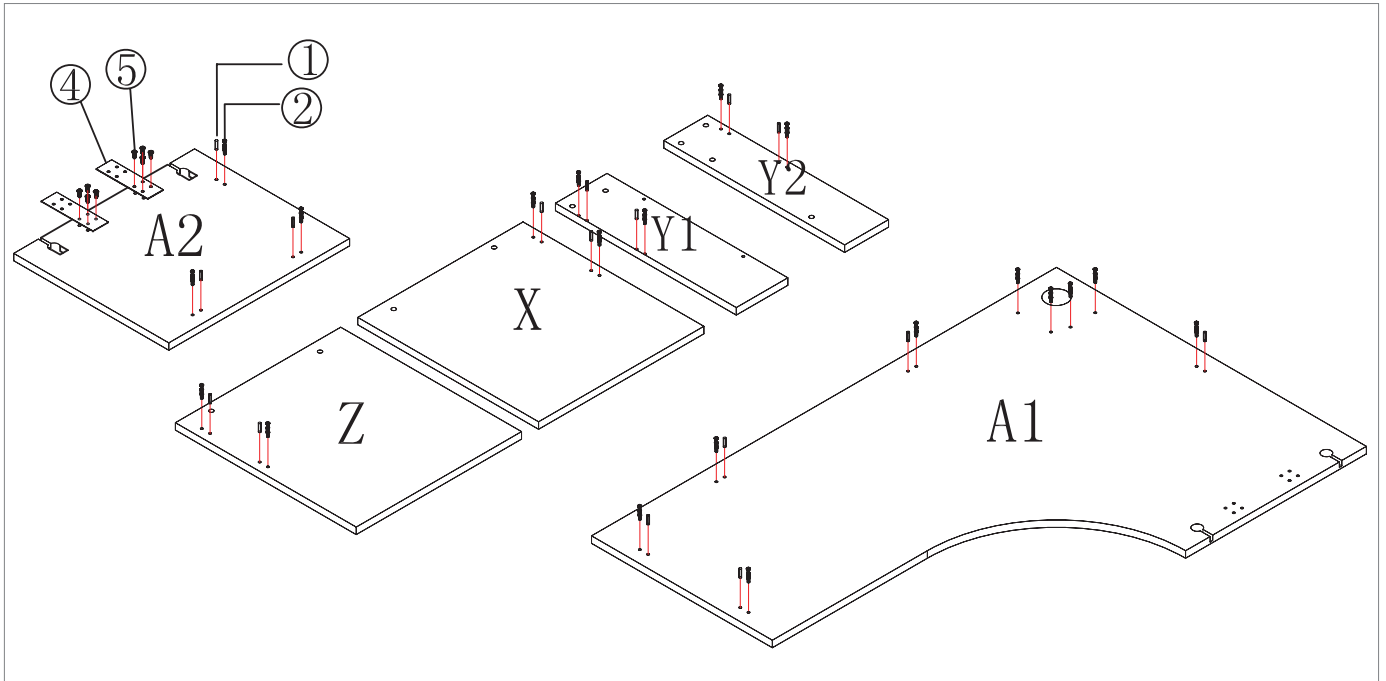
- To prevent possible scratches or damage, assemble the desk upside down on a soft surface such as a blanket, carpet or packaging.
- Attach leg to the top assembly by using bolts, spring washer, flat washer. Tighten using the allen wrench.



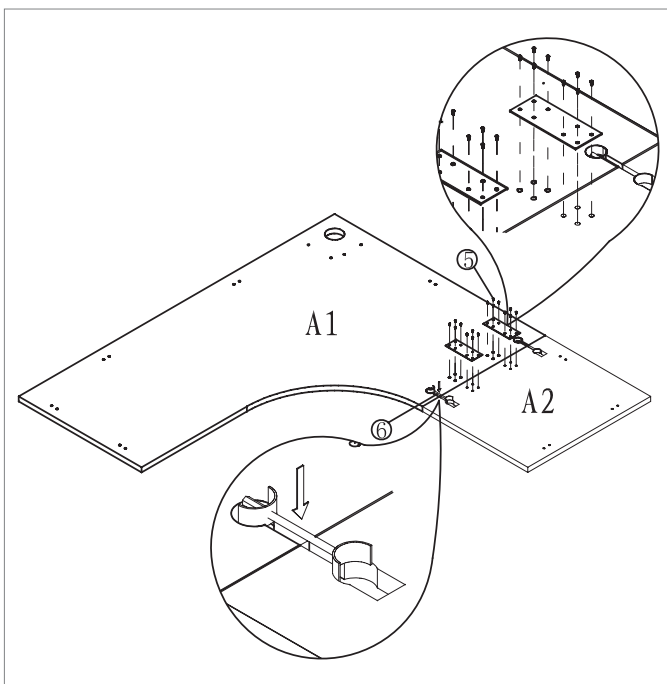
**Recommended
2-person Step**



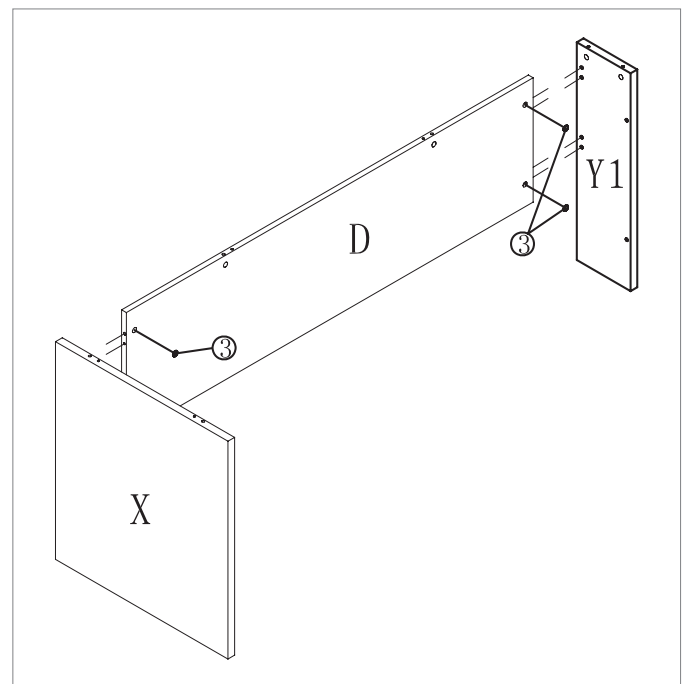
Step 1



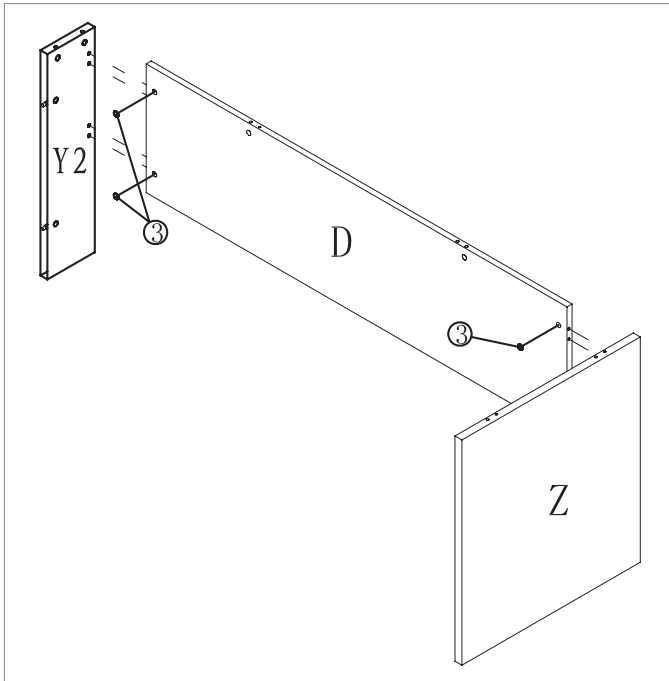
Step 2



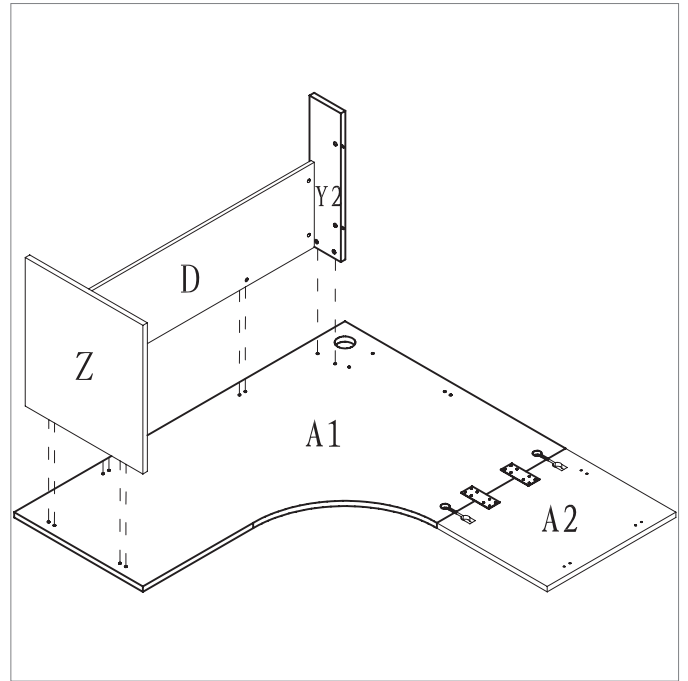
Step 3



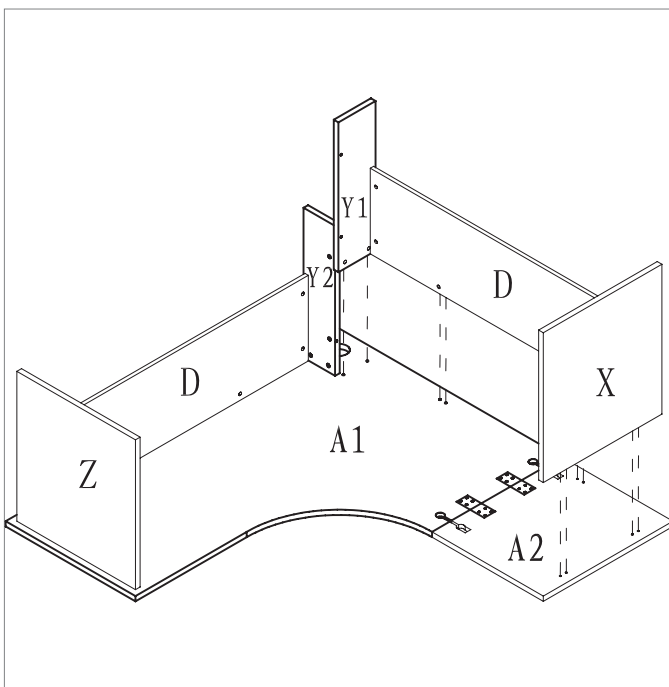
Step 4



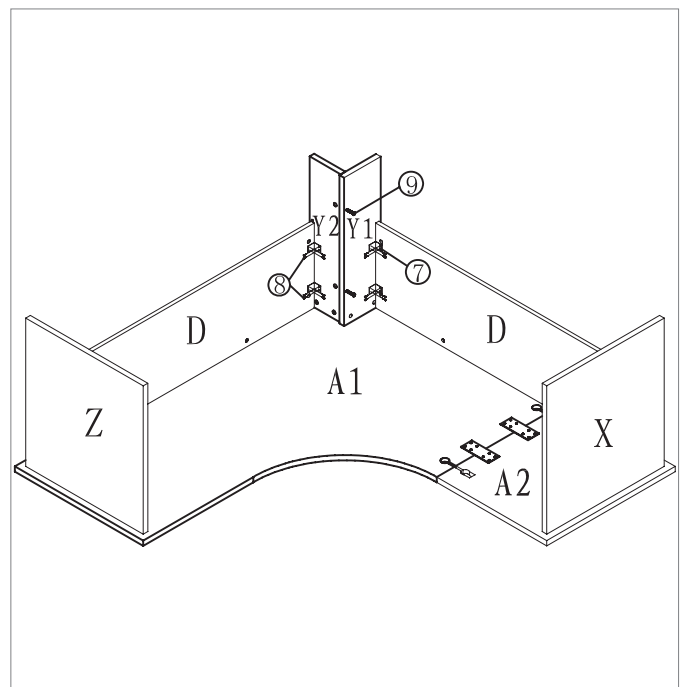
Step 5



Step 6



Step 7



Complete

