

# Ergoplan Meeting Table

## Assembly Instructions

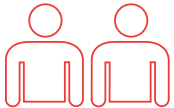
**Tools Required:** Powered Screwdriver



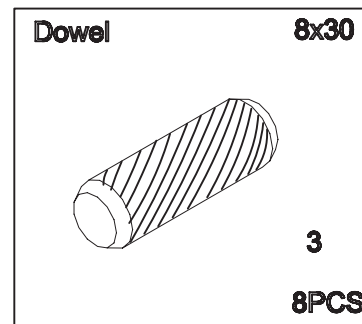
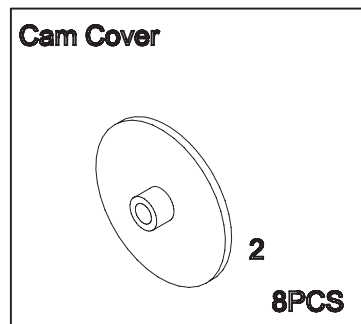
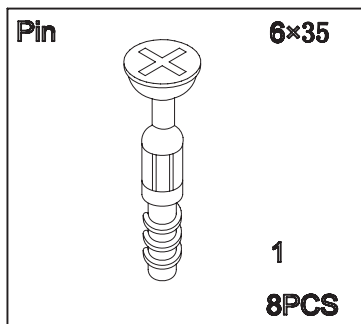
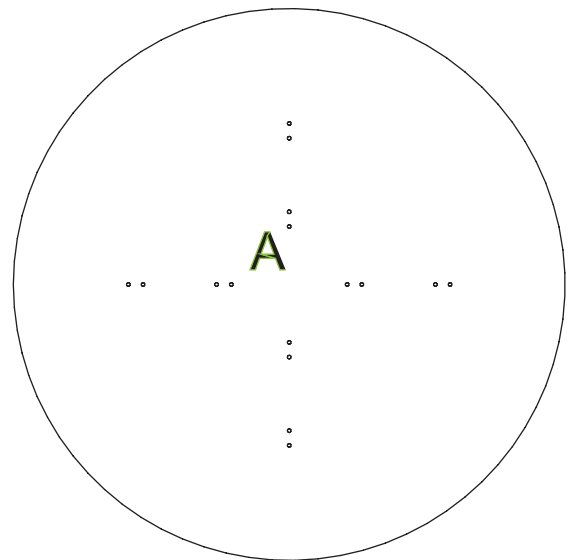
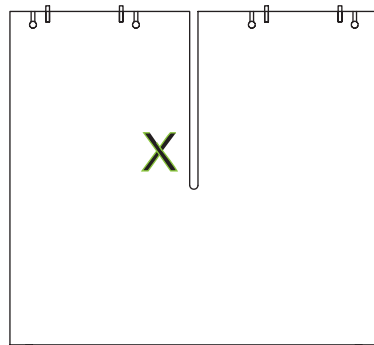
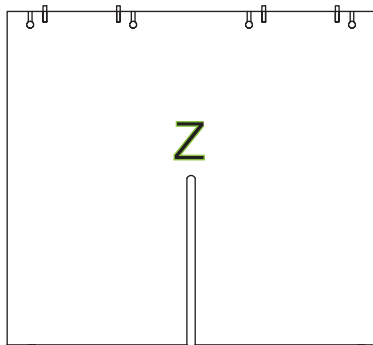
# Ergoplan Meeting Table

## Assembly Instructions

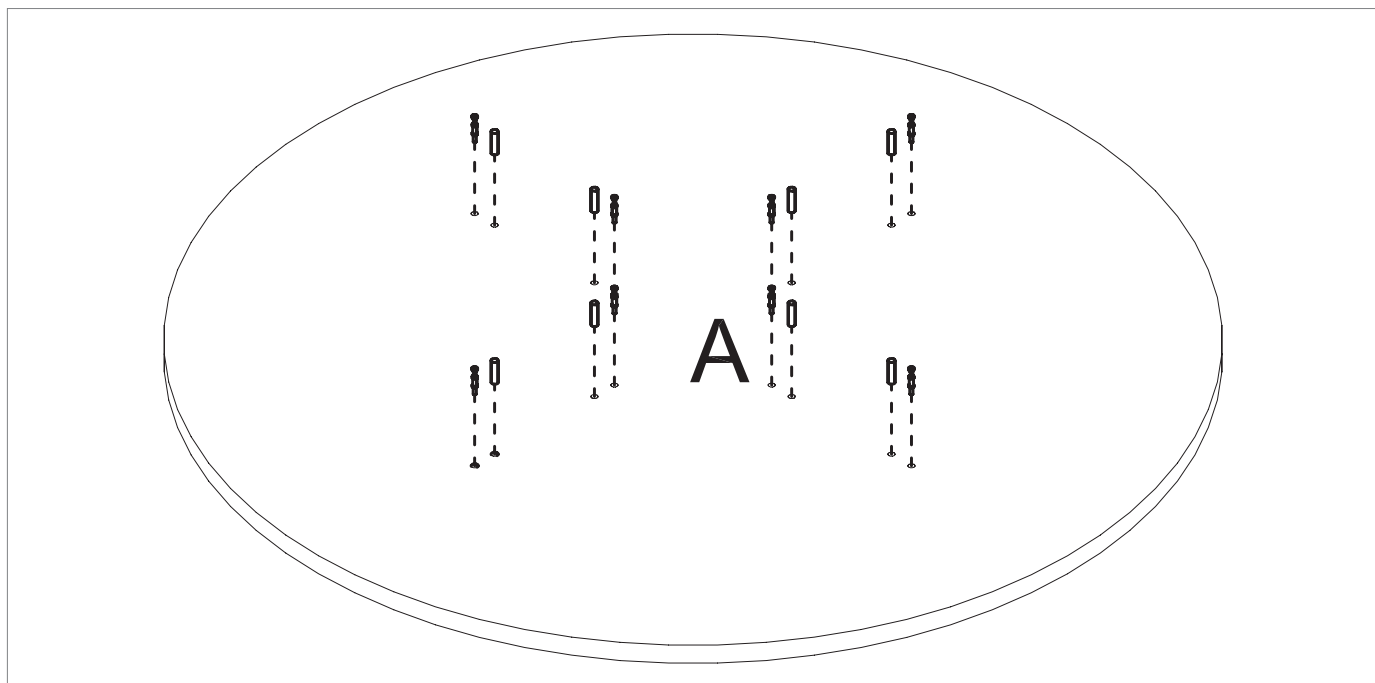
- To prevent possible scratches or damage, assemble the table upside down on a soft surface such as a blanket, carpet or packaging.
- Attach leg to the top assembly by using bolts, spring washer, flat washer. Tighten using the allen wrench.



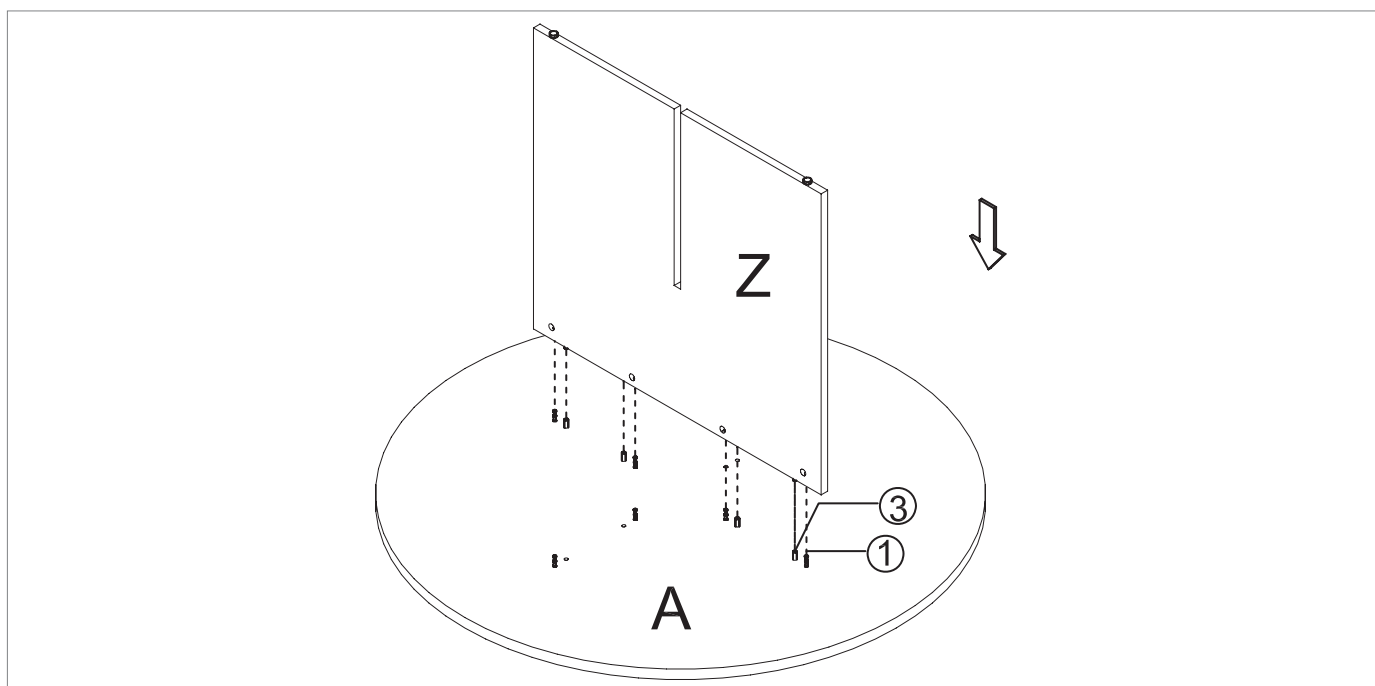
**Recommended  
2-person Step**



### Step 1

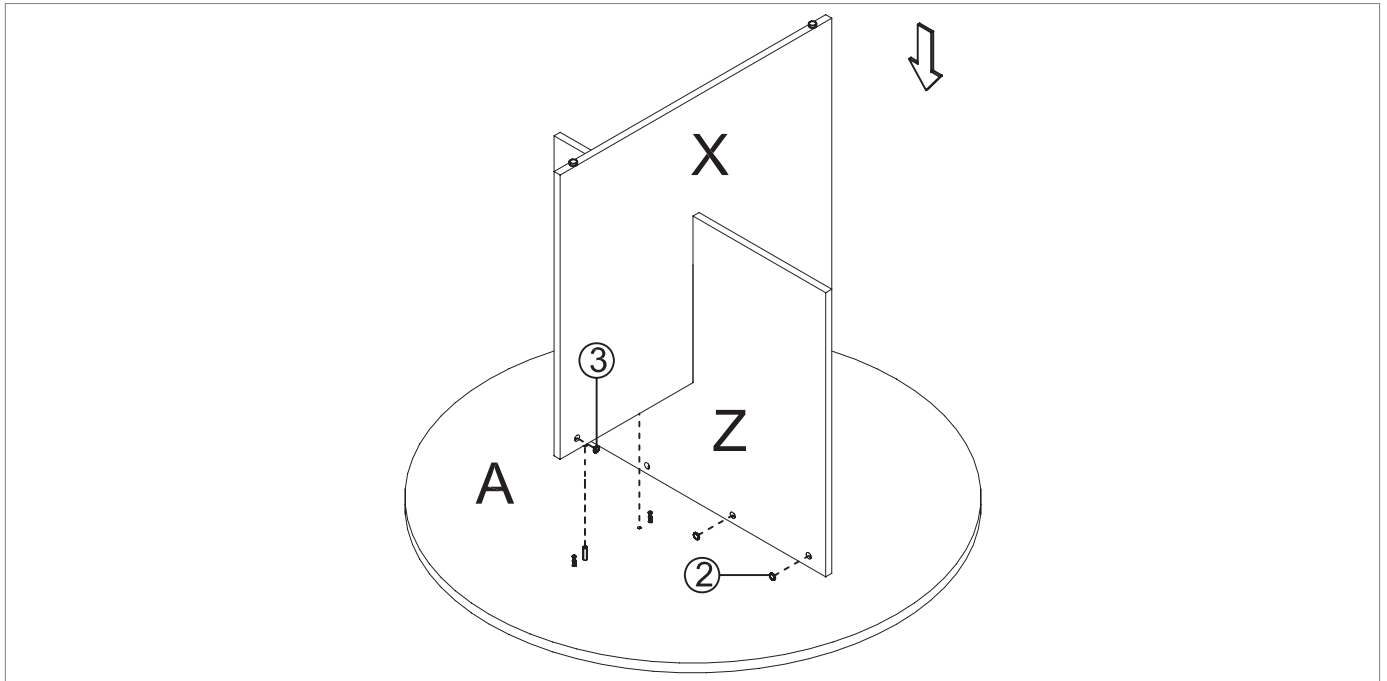


### Step 2



### Step 3

---



### Complete

---

