

# Ergoplan Desk

## Assembly Instructions

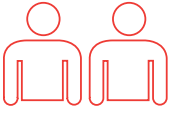
**Tools Required:** Powered Screwdriver



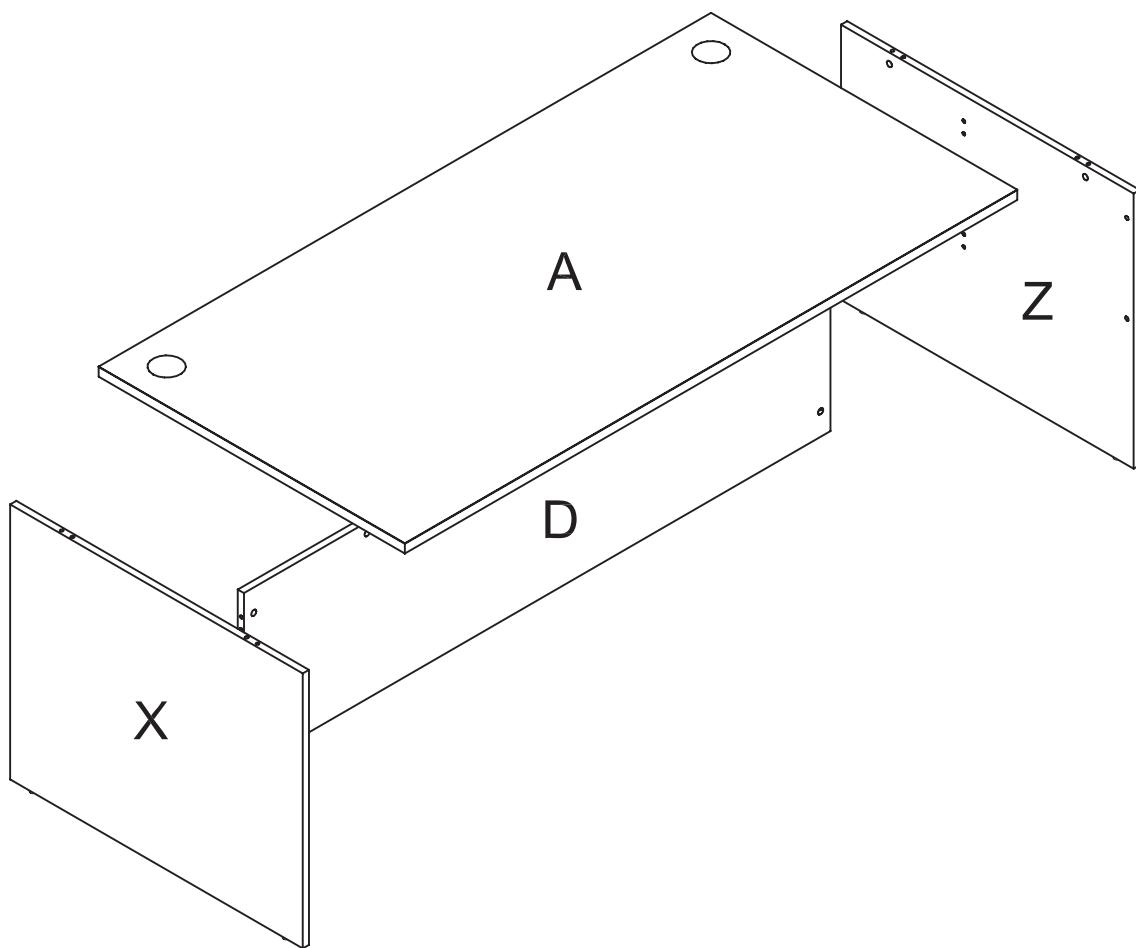
## Assembly Instructions

---

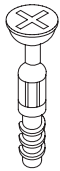
- To prevent possible scratches or damage, assemble the desk upside down on a soft surface such as a blanket, carpet or packaging.



**Recommended  
2-person Step**



Item	Description	Qty	Item	Description	Qty
A	Desk Top	1	<b>c1</b>	6*35 Cam Bolt	10
X	Desk Left Side Panel	1	<b>d1</b>	8*30 Dowel Pin	10
Z	Desk Right Side Panel	1	<b>c2</b>	5/8" Cam Cover	10
D	Back Panel	1	<b>b1</b>	Bracket	4
			<b>s1</b>	3.5*15 Screw	16



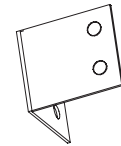
**c1** 10 x 6\*35 Cam Bolts



**d1** 10 x 8\*30 Dowel Pin



**c2** 10 x 5/8" Cam Cover



**b1** 4 x Bracket

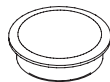


**s1** 16 x 3.5\*15 Screws

### Pre-installed Parts



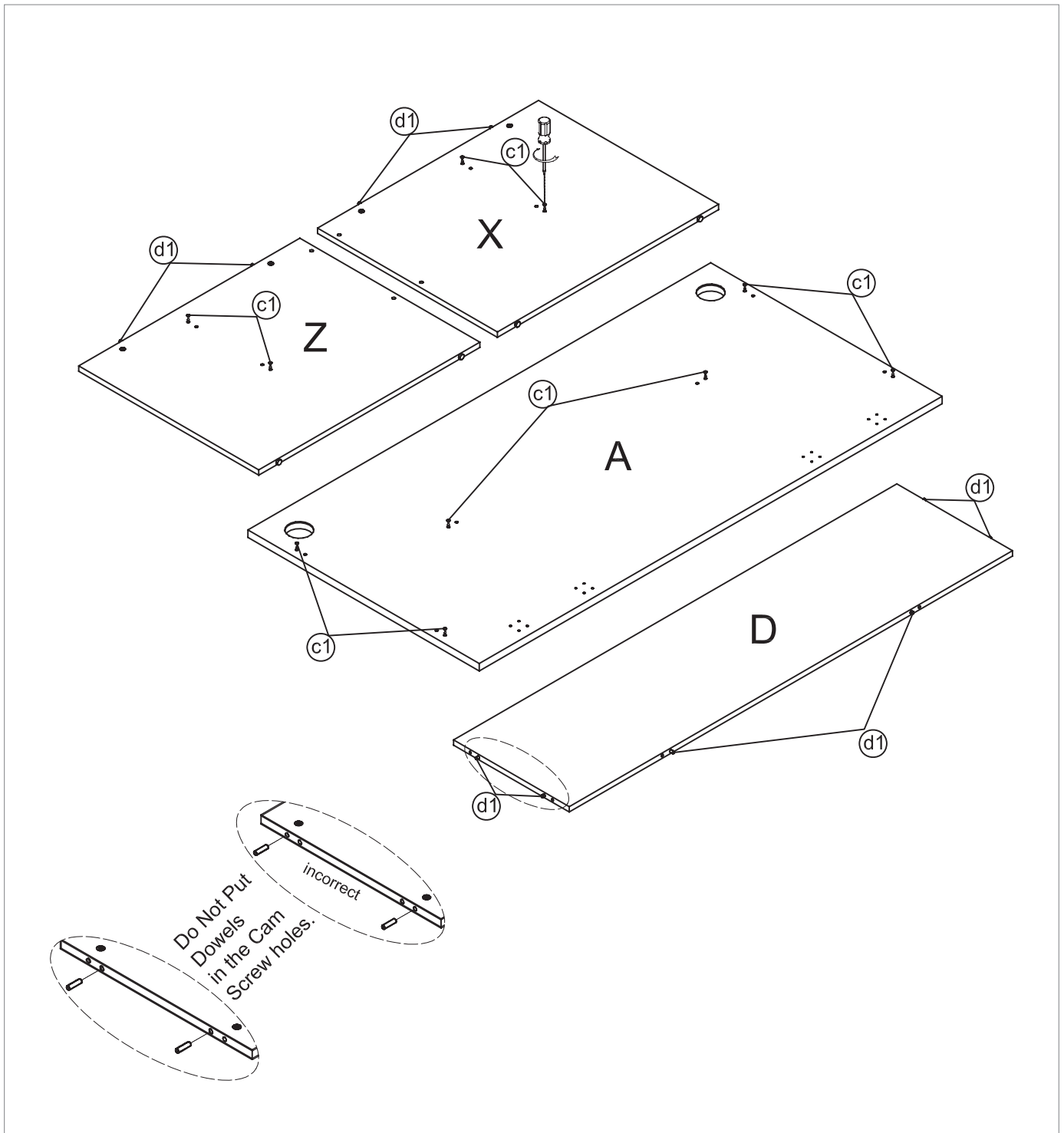
**c5** Cam



**o5** Cable Port

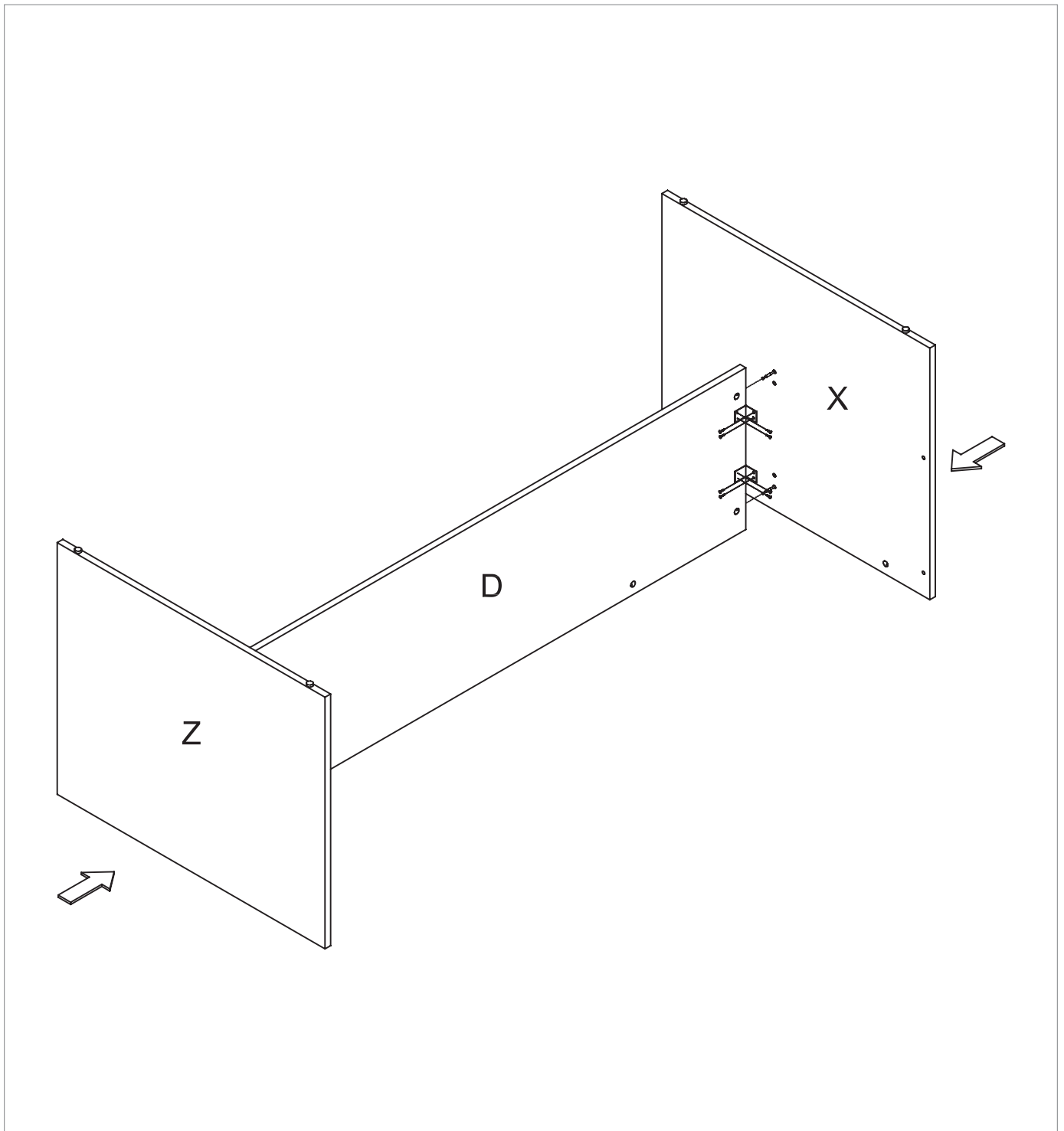
## Step 1

Insert cam bolts (**c1**) into panels **A**, **X** and **Z** and insert dowel pins (**d1**) into panels **X**, **Z** and **D** as illustrated below.



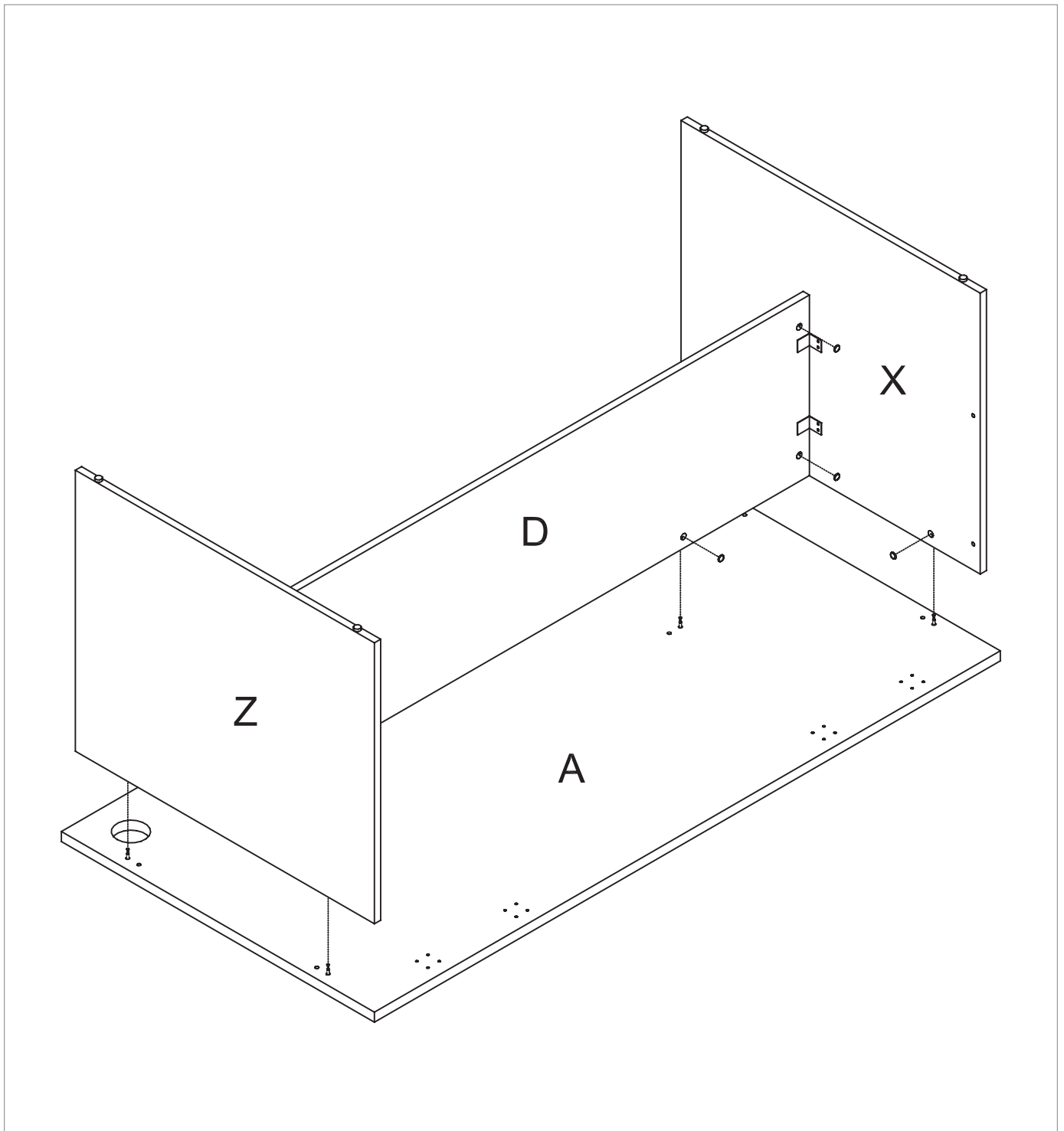
### Step 2

Insert cam bolts **(c1)** on panels **X** and **Z** into cam on panel **D** and tighten in a clockwise direction as illustrated below. Connect panel **D** and panel **X/Z** by bracket **(b1)** - please note power drill will be required.



## Step 3

Insert cam bolts (**c1**) on panel **A** into cams on panels **D**, **X** and **Z** and tighten in a clockwise direction as illustrated above. Cover the cam covers (**c2**) on the top of all the cams.



## Complete

---

