

Ergoplan Cupboard 900H

Assembly Instructions

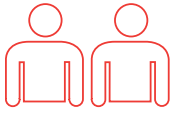
Tools Required: Powered Screwdriver



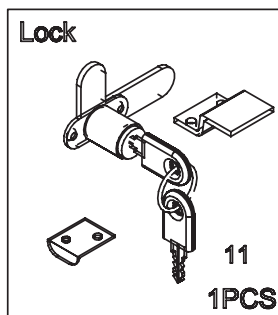
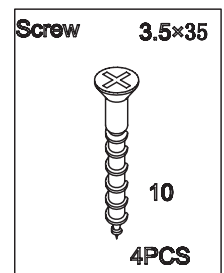
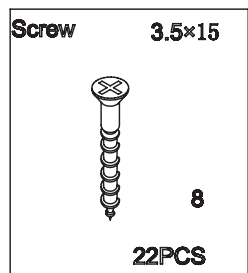
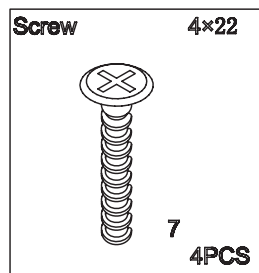
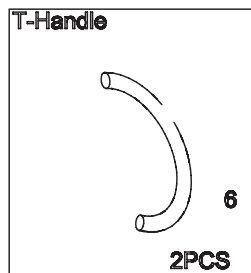
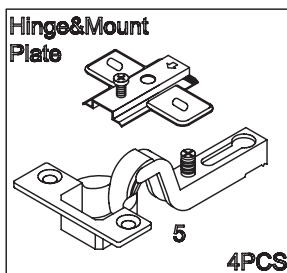
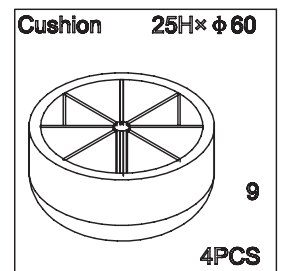
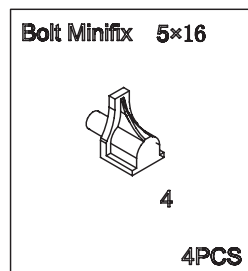
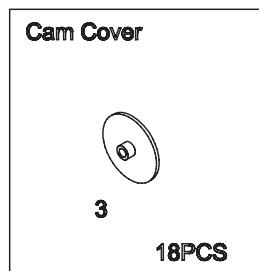
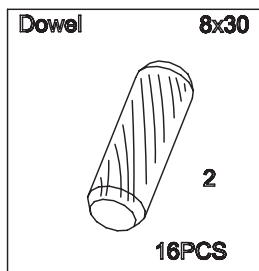
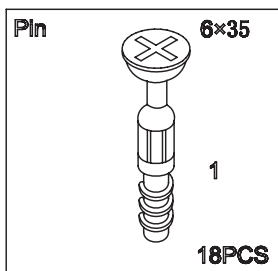
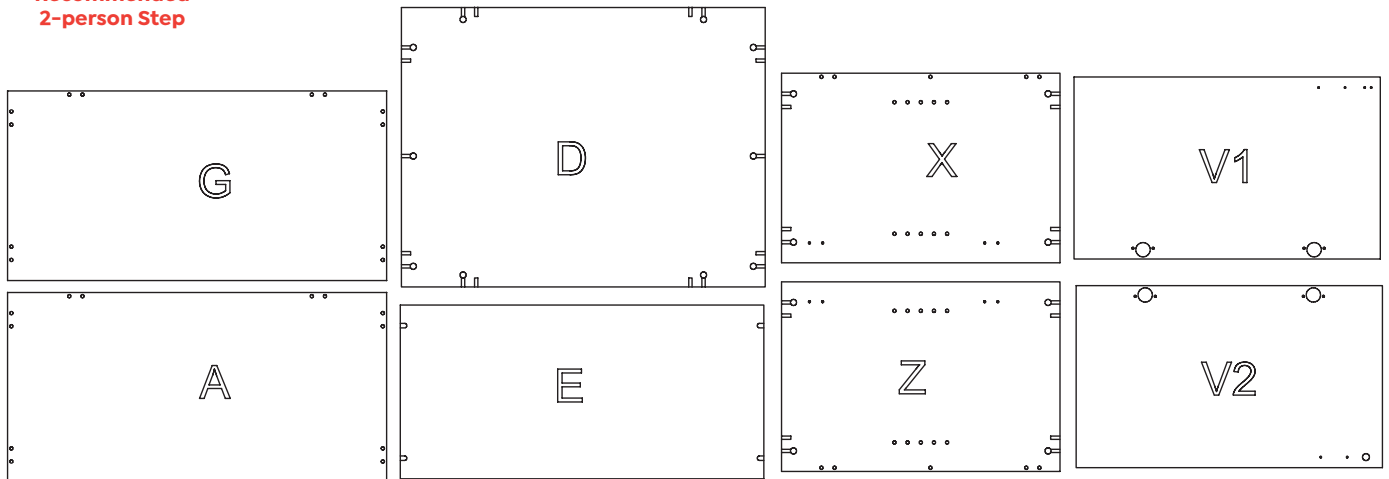
Ergoplan Cupboard 900H

Assembly Instructions

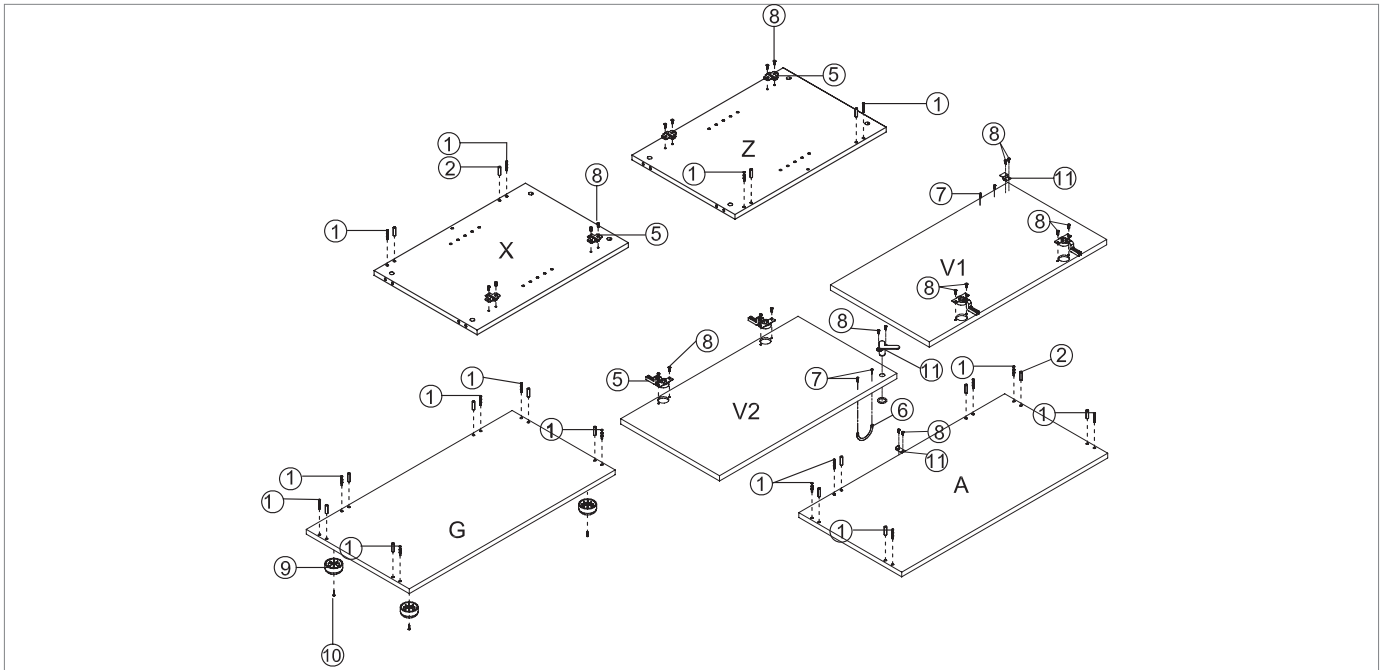
- To prevent possible scratches or damage, assemble the product on a soft surface such as a blanket, carpet or packaging.



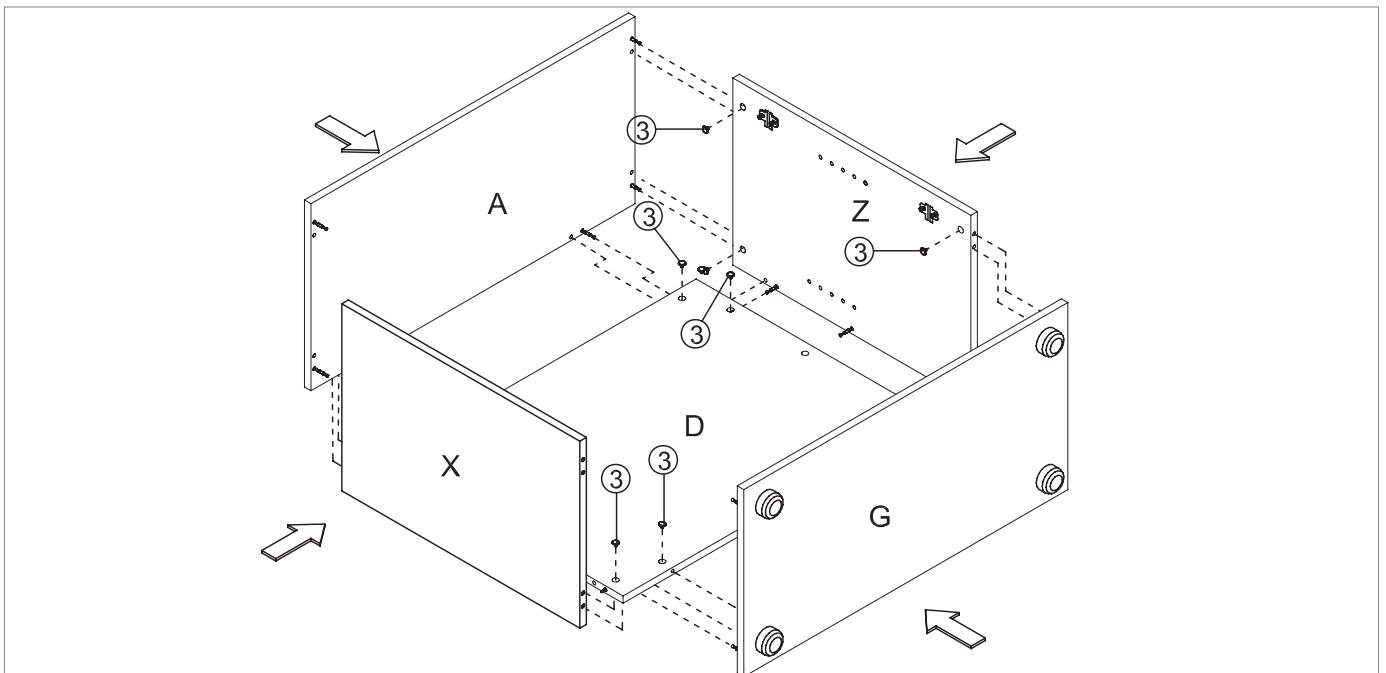
**Recommended
2-person Step**



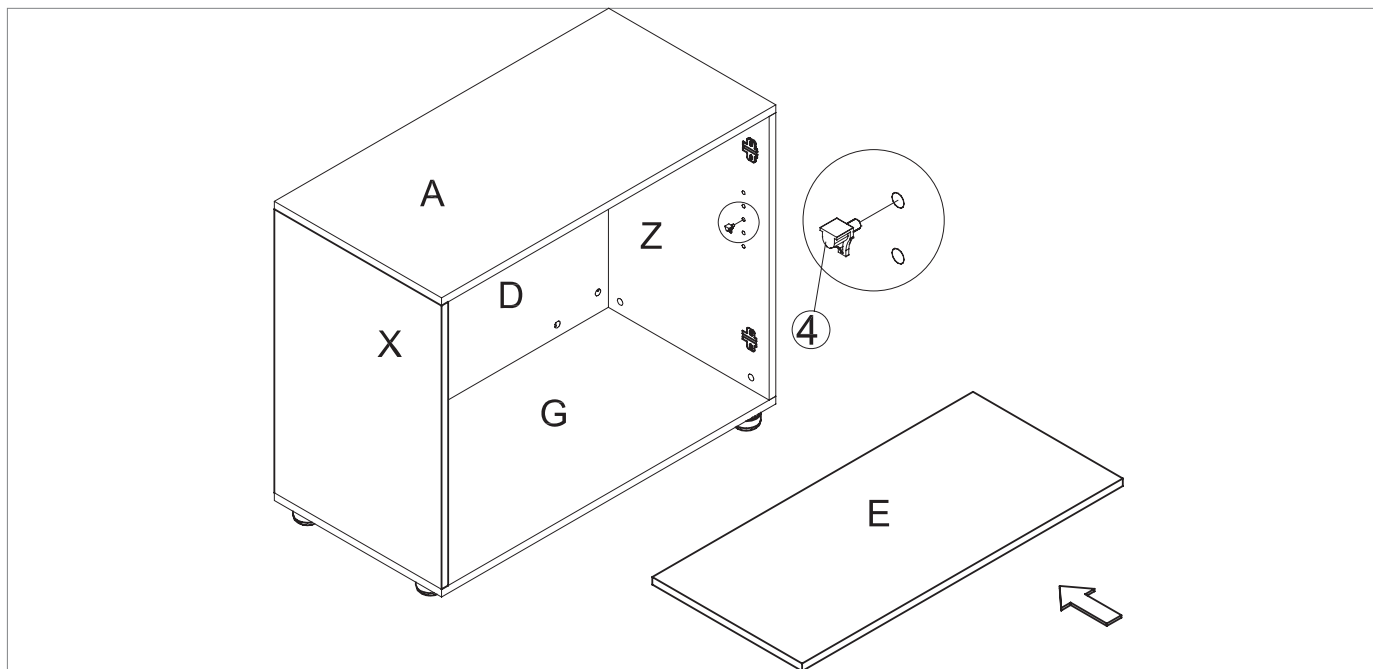
Step 1



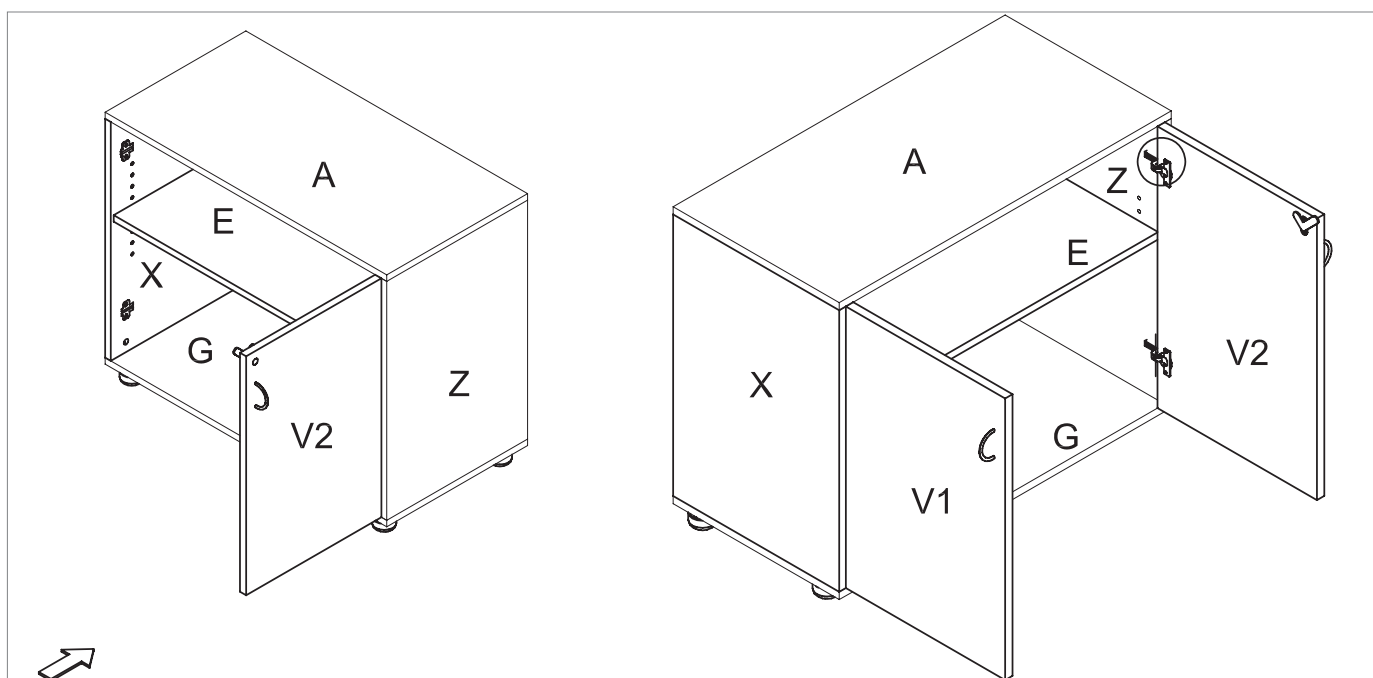
Step 2



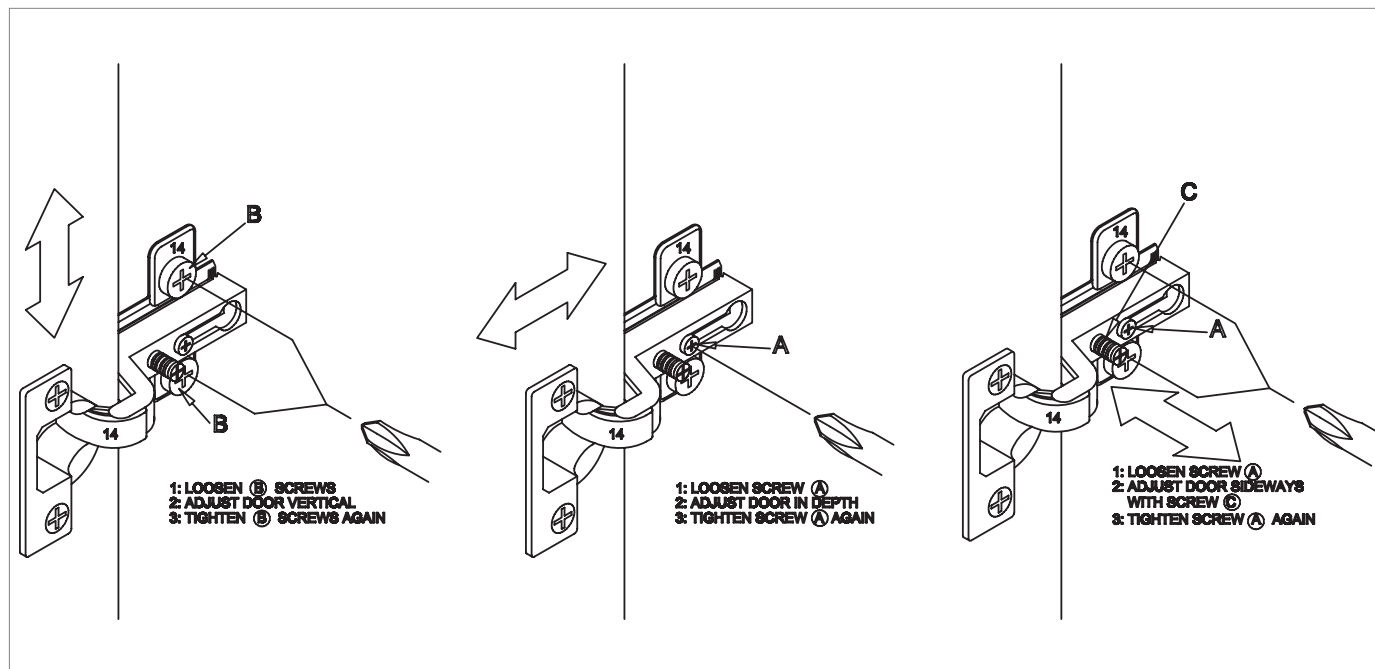
Step 3



Step 4



Step 5



Complete

