

# Ergoplan Credenza

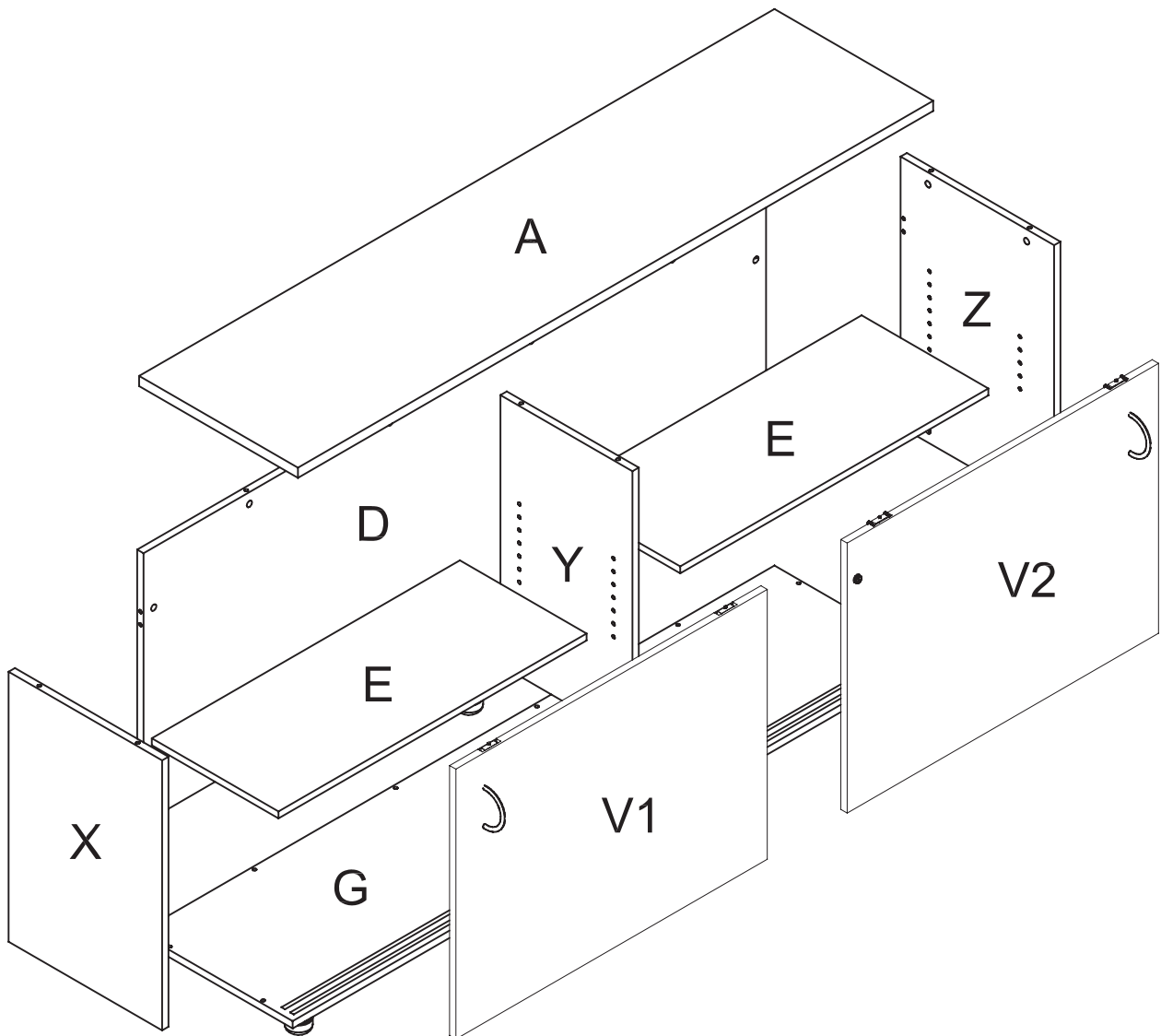
## Assembly Instructions

**Tools Required:** Powered Screwdriver



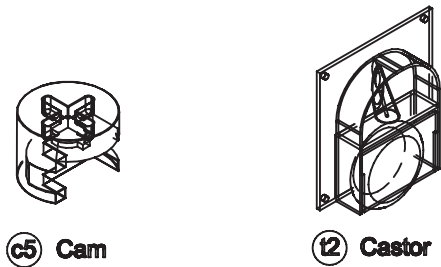
## Assembly Instructions

- To prevent possible scratches or damage, assemble the product on a soft surface such as a blanket, carpet or packaging.

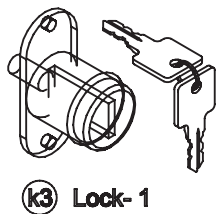


### Pre-installed parts

### PARTS LIST

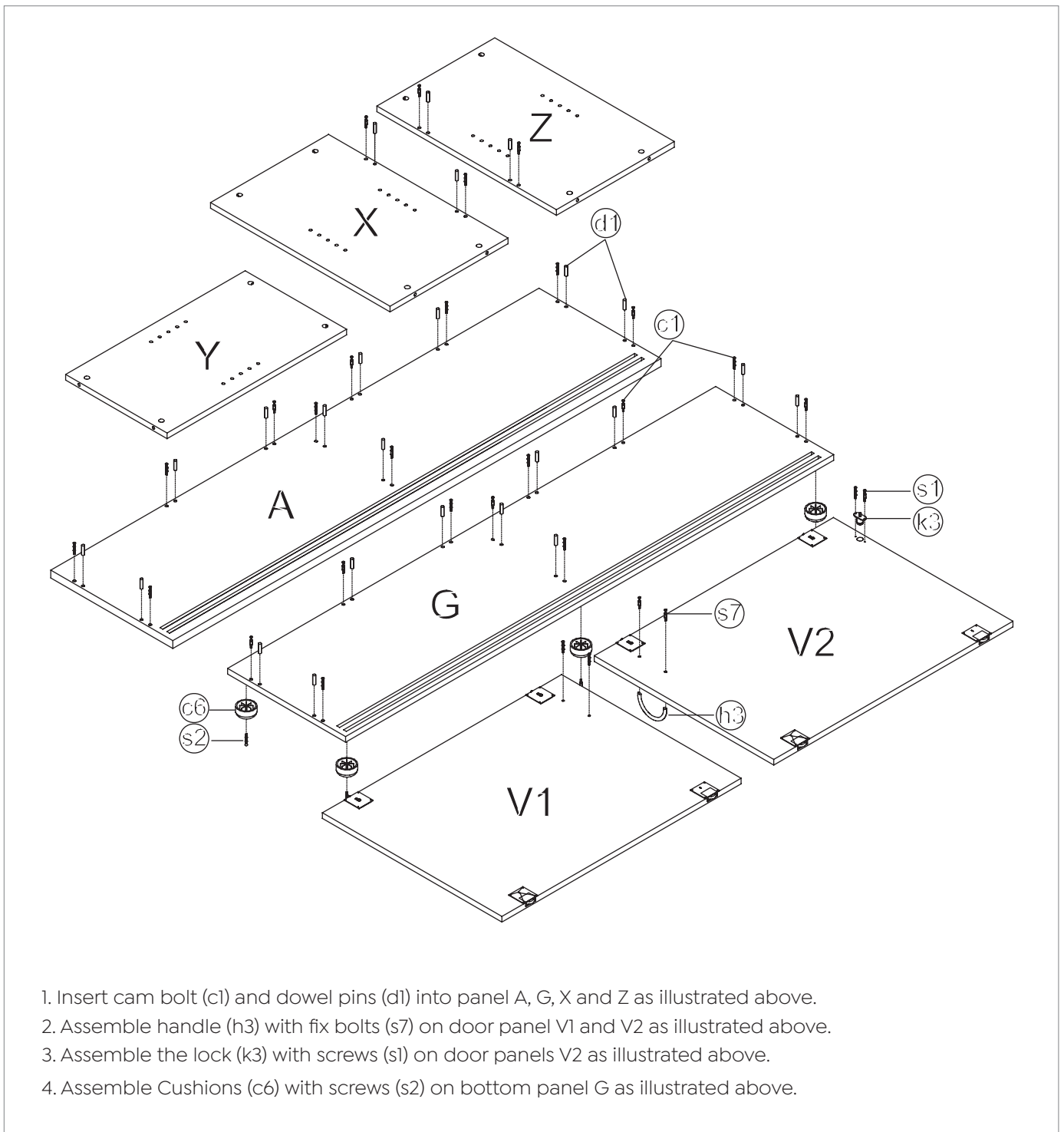


Item	Description	Quantity	Item	Description	Quantity
A	Top Panel	1	c1	6x35 Cam Bolt	24
X	Left side panel	1	d1	8x30 Dowel Pin	24
Z	Right side panel	1	c2	(5/8") Cam Cover	24
D	Back panel	1	p1	Threaded Dowel Pin	8
G	Bottom panel	1	s7	4x22 Fix Bolt	4
V1	Left Door panel	1	h3	Handle	2
V2	Right Door panel	1	s1	3.5x15 Screw	10
E	Moveable shelf	2	b1	Bracket	2
Y	Vertical panel	1	c6	Cushion	6
			s2	3.5x35 Screw	6
			k3	Lock	1



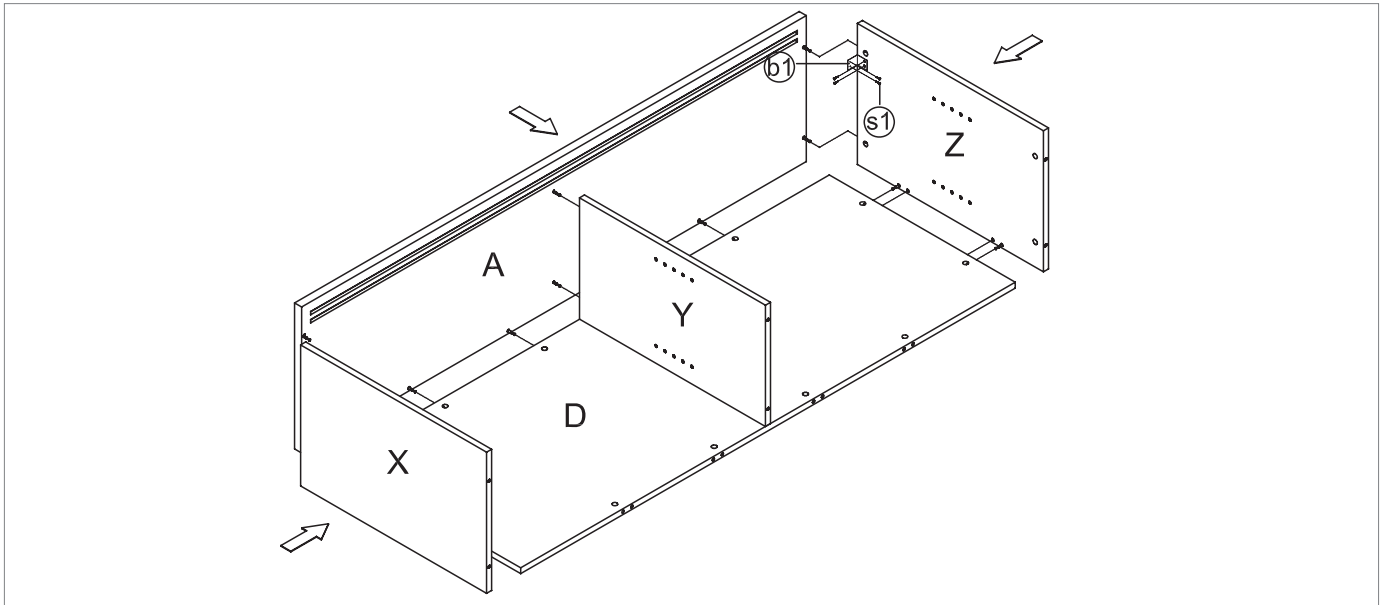
### Step 1

Preparation for credenza top panel A, credenza bottom panel G, left side panel X, right side panel Z, door panel V1 and V2.



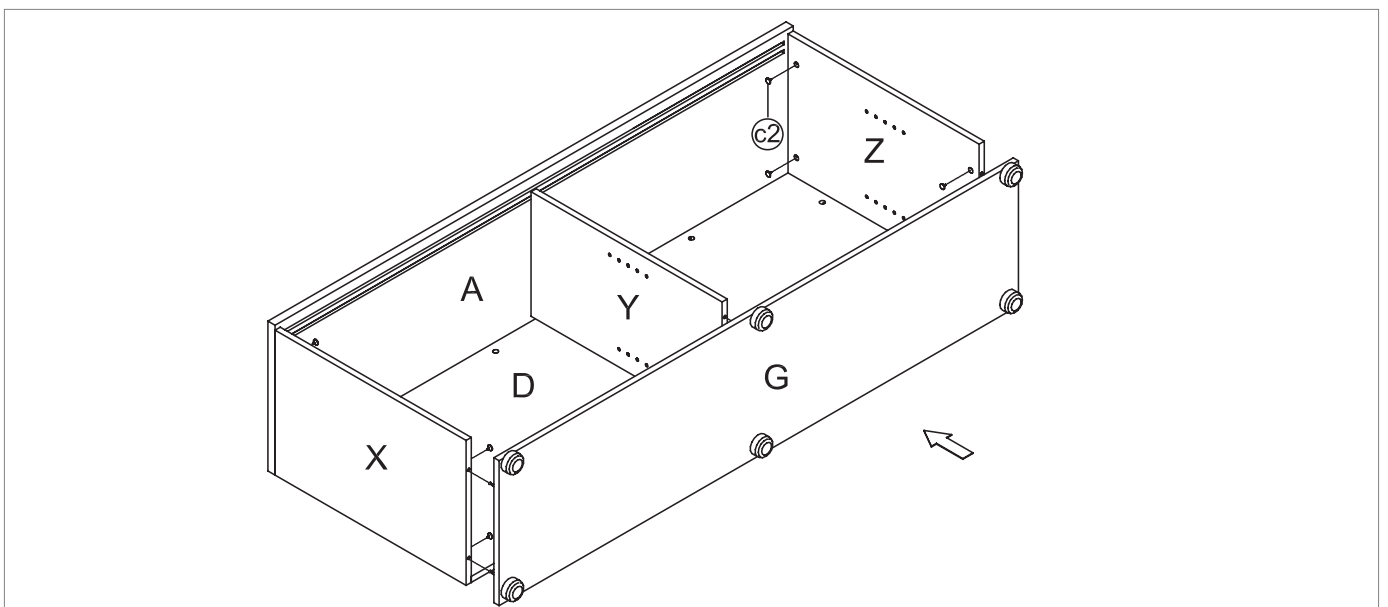
### Step 2

Insert cam bolt (c1) on panels X, Z into cams on panel D and fully tighten. Fix cams on panel Y, D, X and Z into cam bolts (c1) on panel A and fully tighten.



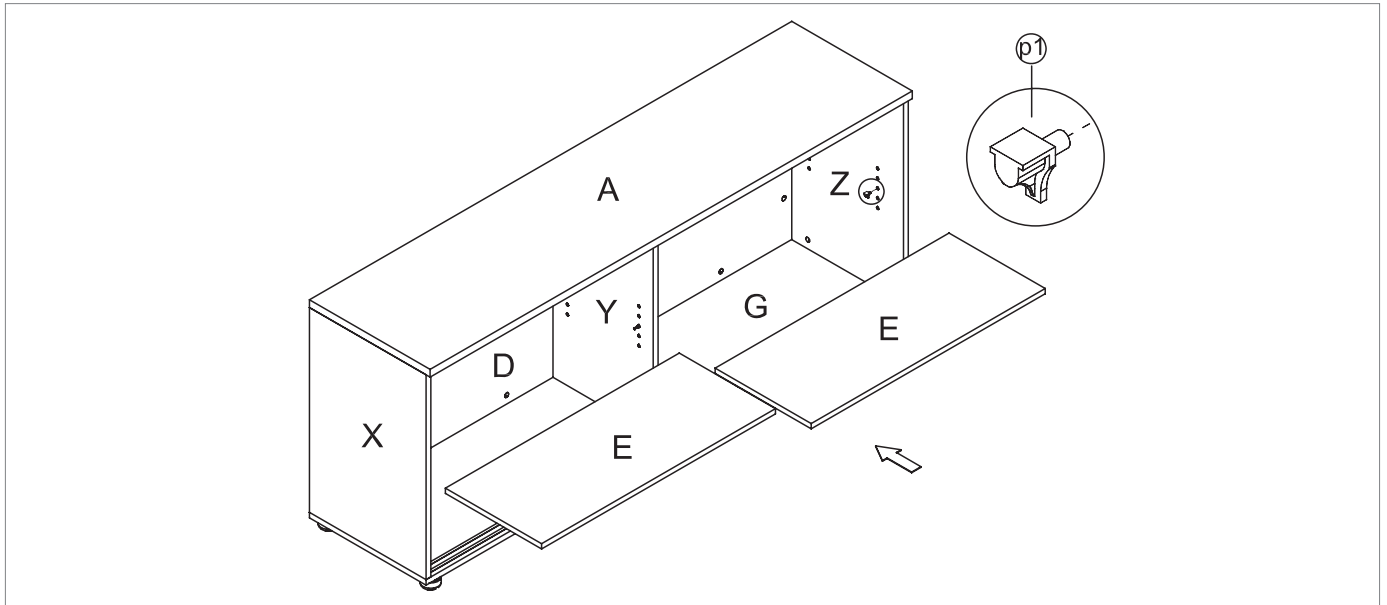
### Step 3

Insert cam bolt (c1) on panel G into cams on panel X, Z, Y and D and fully tighten. Then place the cam covers (c2) on the top of cams.



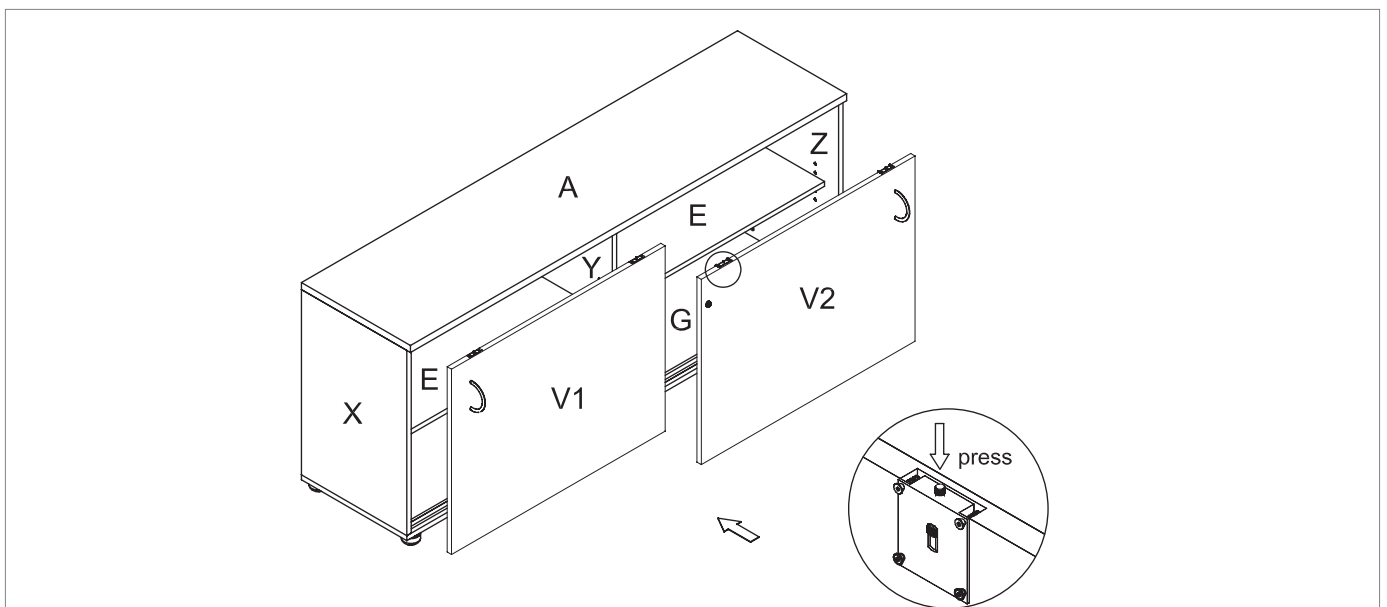
### Step 4

Insert threaded dowel pins (p1) into panel X, Z and Y, put the two panels E on the top of threaded dowel pins (p1) as illustrated below.



### Step 5

Assembly credenza door V1 and V2.



## Complete

---

