

# Ergoplan Coffee Table

## Assembly Instructions

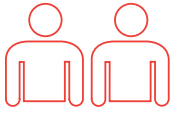
**Tools Required:** Philips Screwdriver



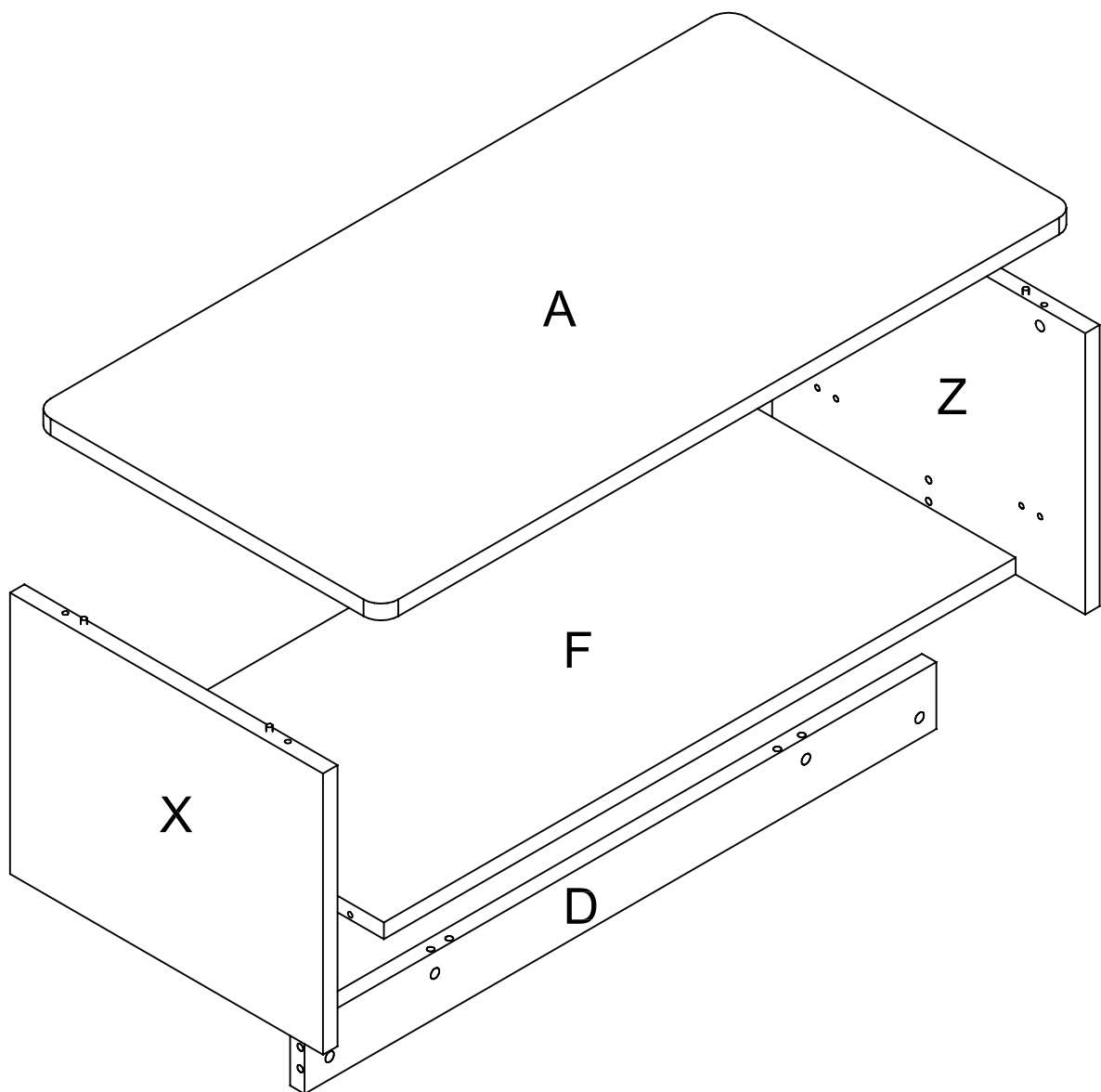
# Ergoplan Coffee Table

## Assembly Instructions

- To prevent possible scratches or damage, assemble the table upside down on a soft surface such as a blanket, carpet or packaging.



**Recommended  
2-person Step**



## Assembly Instructions

### Parts

Item	Description	Qty	Item	Description	Qty
A	Top Panel	1	<b>c1</b>	6*35 Cam Bolt	12
X	Left Side Panel	1	<b>d1</b>	8*30 Dowel Pin	12
Z	Right Side Panel	1	<b>c2</b>	5/8" Cam Cover	12
F	Immovable Panel	1	<b>b1</b>	Bracket	4
D	Back Panel	1	<b>s1</b>	3.5*15 Screw	16



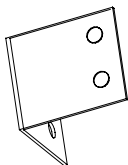
**c1** 12 x 6\*35 Cam Bolts



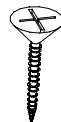
**d1** 12 x 8\*30 Dowel Pin



**c2** 12 x 5/8" Cam Cover



**b1** 4 x Bracket



**s1** 16 x 3.5\*15 Screw

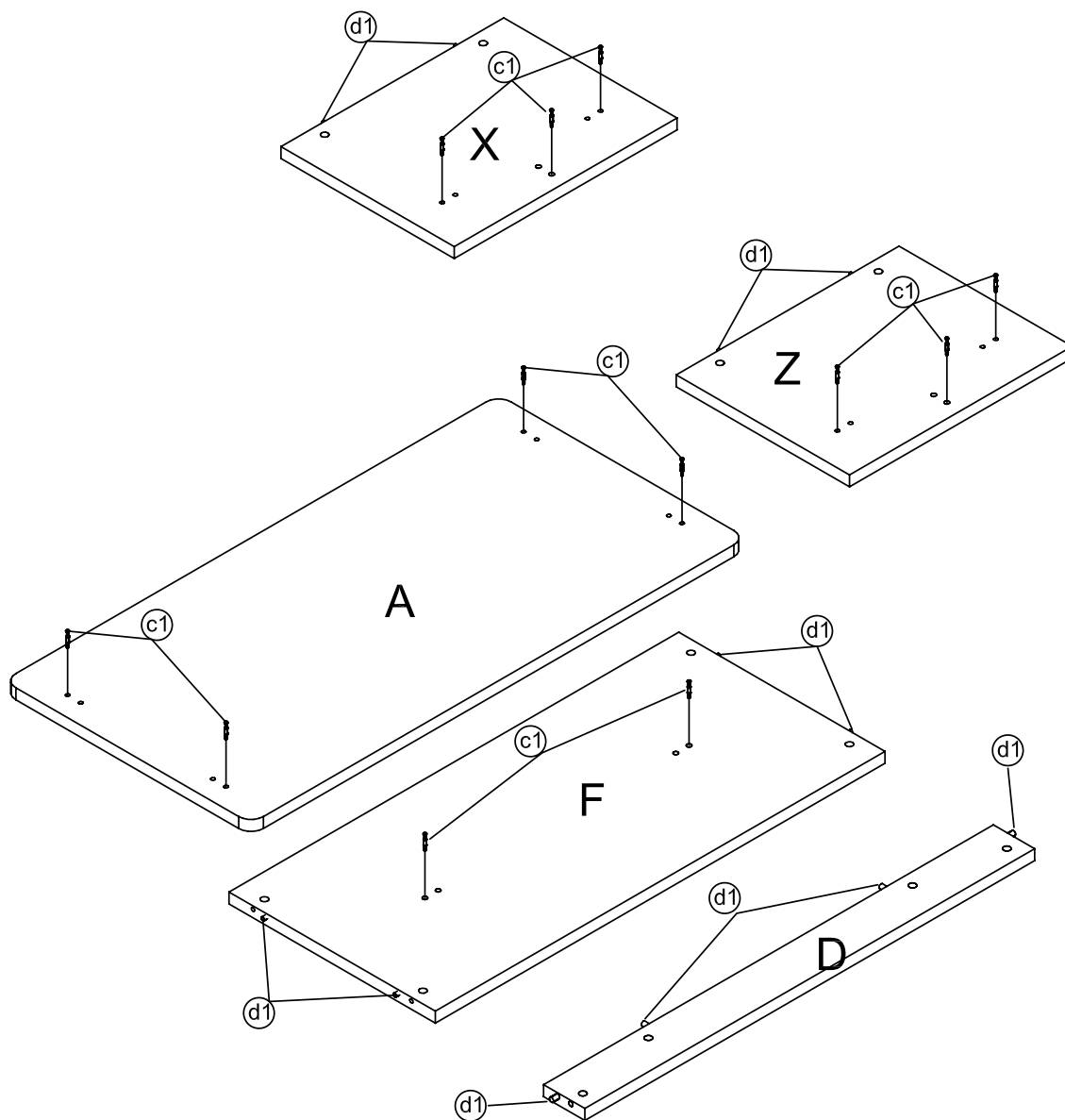
#### Pre-installed Parts



**C5** Cam

### Step 1

Preparation for top panel A, left side panel X, right side panel Z, back panel D and immovable panel F.

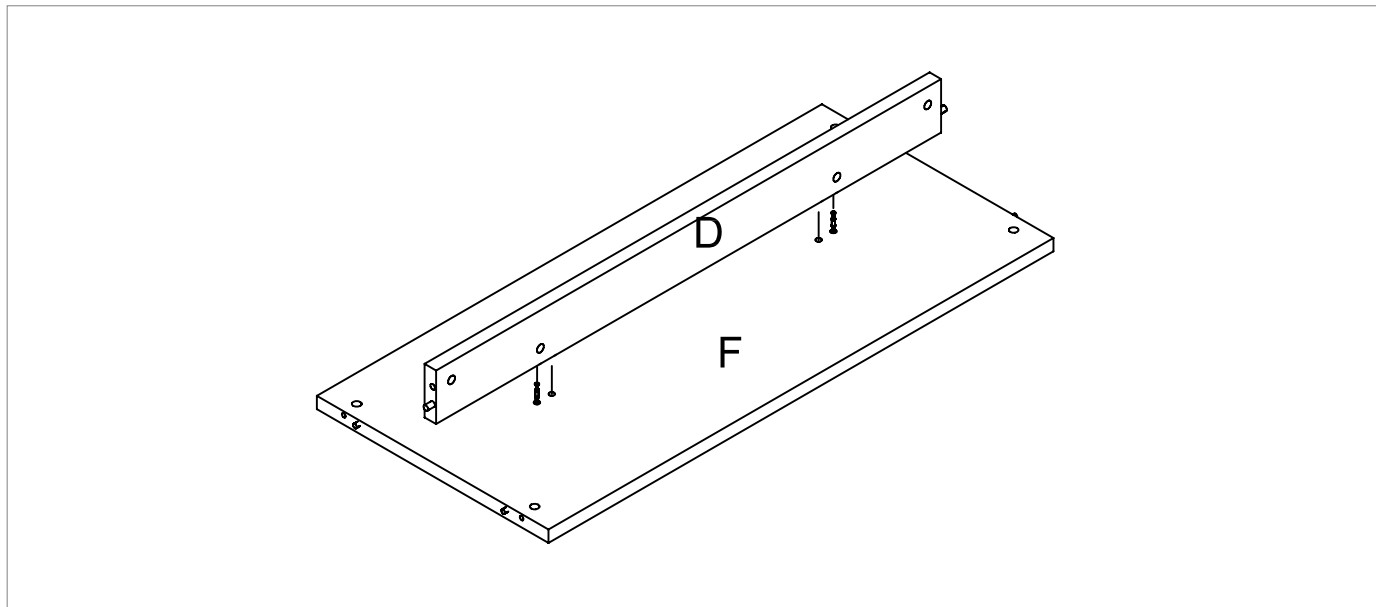


1. Insert cam bolts (c1) into the panel A.
2. Insert dowel pins (d1) into the panels F and D.
3. Insert cam bolts (c1) and dowel pins (d1) into panels X and Z.

### Step 2

---

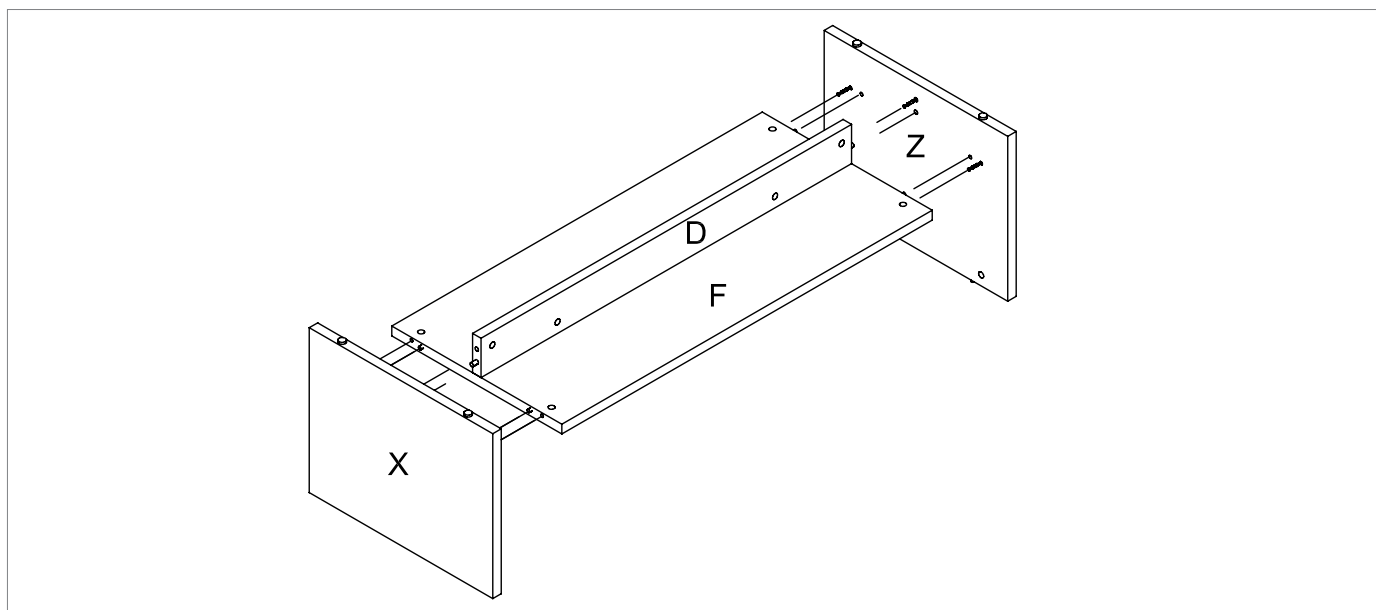
Insert cam bolts (c1) on panel F into cams on panel D and tighten in a clockwise direction.



### Step 3

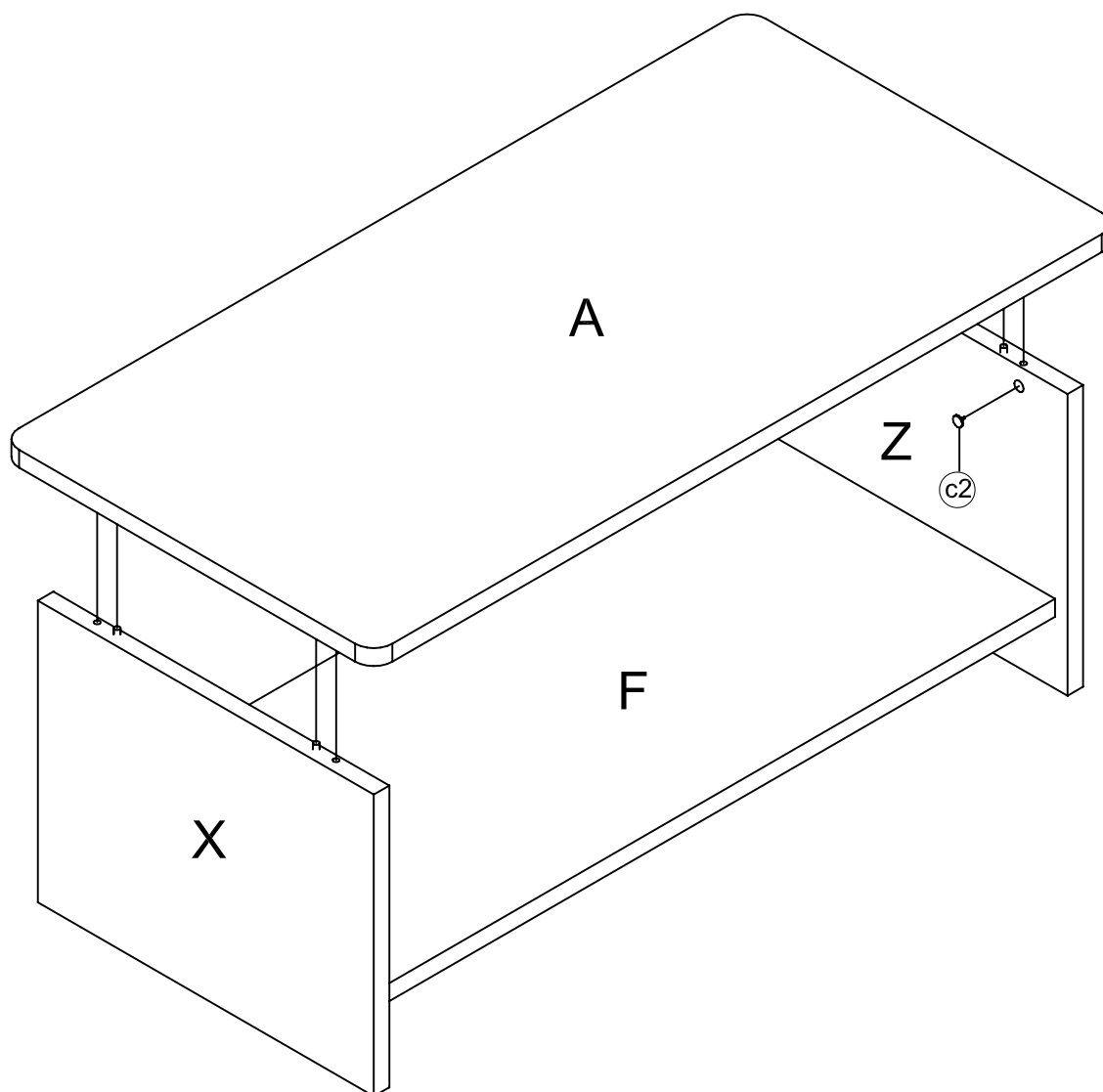
---

Insert cam bolts (c1) on panels X and Z into cams on panels F, D and tighten in a clockwise direction.



### Step 4

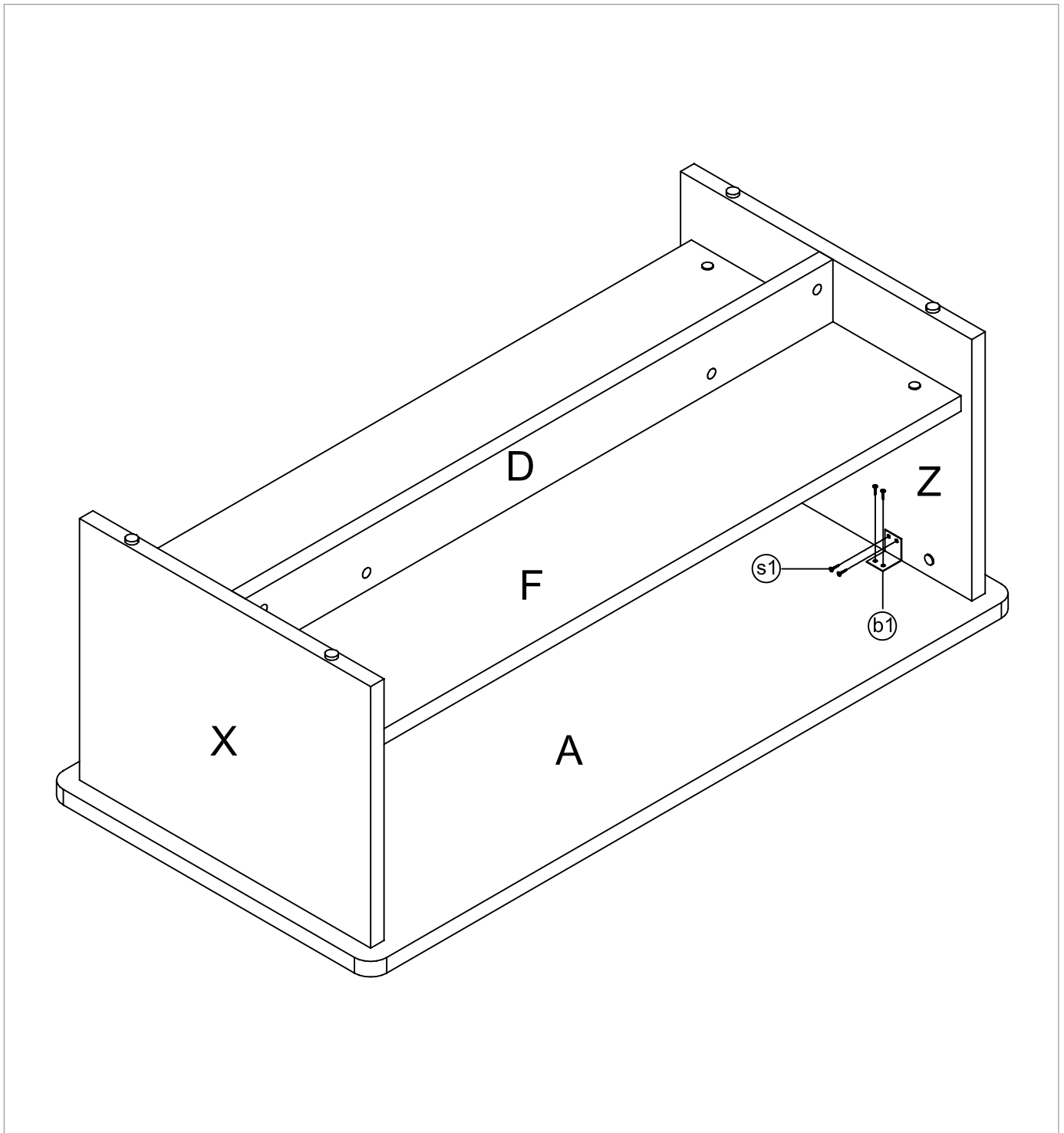
Top panel A assembly.



1. Insert cam bolts (c1) on panel A into cams on panels X and Z and tighten in a clockwise direction.
2. Cover with cam covers (c2) on the top of all the cams.

## Step 5

Connect panel A and panels X/Z by bracket (b1).



### Complete

