

Ergoplan Bookcase 1200H

Assembly Instructions

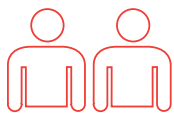
Tools Required: Powered Screwdriver



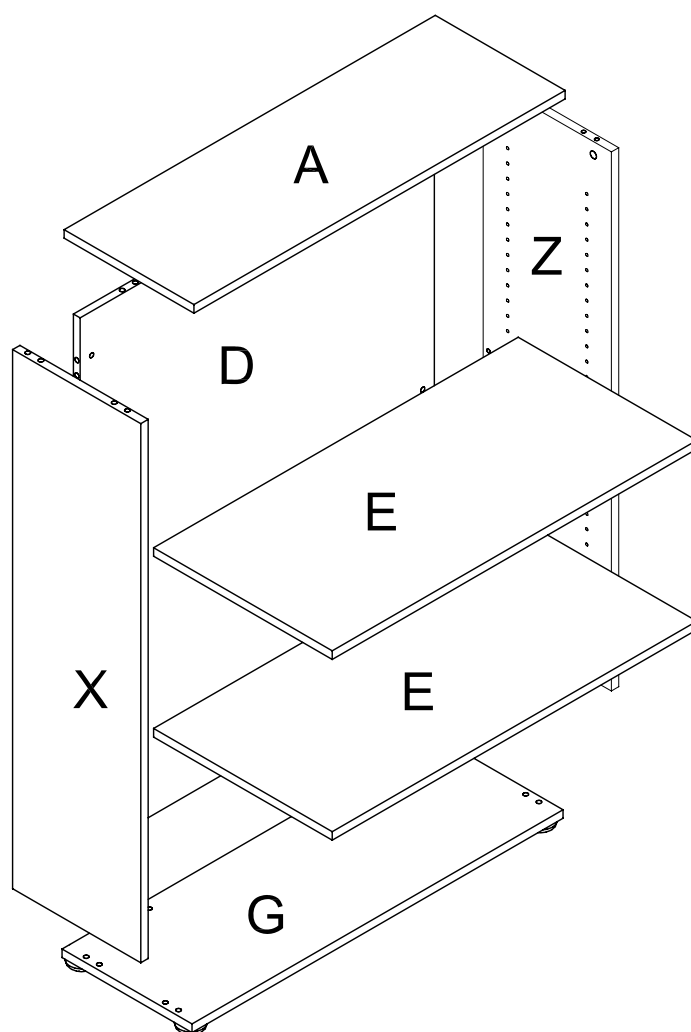
Ergoplan Bookcase 1200H

Assembly Instructions

- To prevent possible scratches or damage, assemble the product on a soft surface such as a blanket, carpet or packaging.



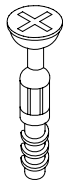
**Recommended
2-person Step**



Assembly Instructions

Parts

Item	Description	Qty	Item	Description	Qty
A	Top Panel	1	c1	6*35 Cam Bolt	18
X	Left Side Panel	1	d1	8*30 Dowel Pin	16
Z	Right Side Panel	1	c2	5/8" Cam Cover	18
D	Back Panel	1	p1	Threaded Dowel Pin	8
G	Bottom Panel	1	c6	Cushion	4
E	Moveable Shelf	2	s2	3.5*35 Screw	4



c1 18 x 6*35 Cam Bolts



d1 16 x 8*30 Dowel Pin



c2 18 x 5/8" Cam Cover



p1 8 x Threaded Dowel Pin



c6 4 x Cushion



s2 4 x 3.5*35 Screw

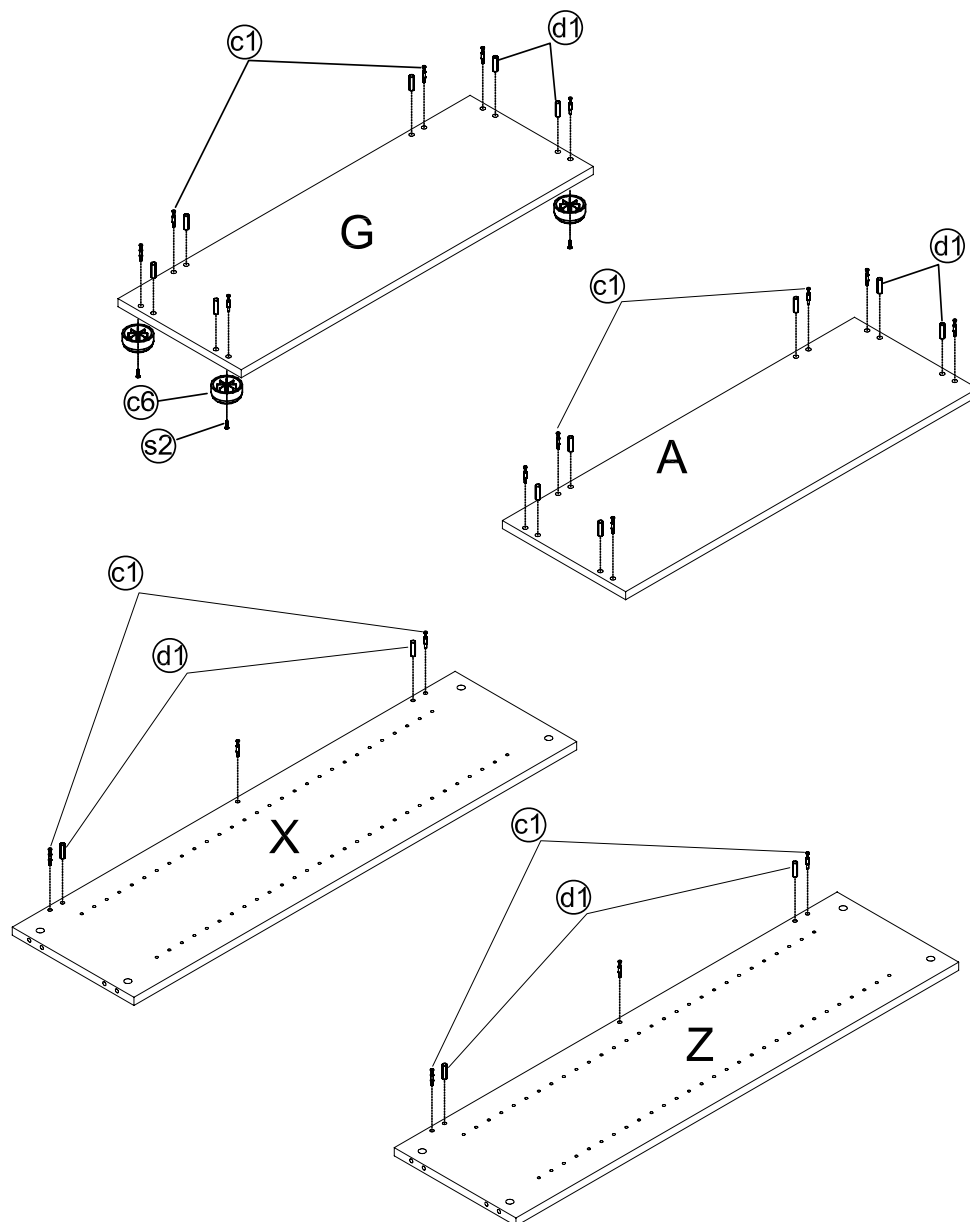
Pre-installed Parts



c5 Cam

Step 1

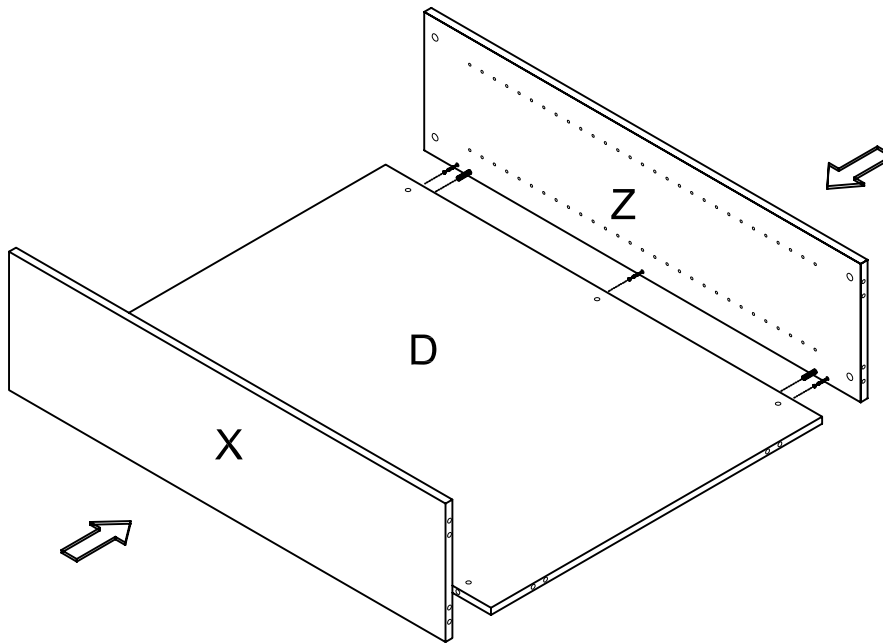
Preparation for Top panel A, Bottom panel G, Left side panel X, Right side panel Z.



1. Insert cam bolts (c1) and dowel pins (d1) into panels A, G, X and Z.
2. Assemble cushions (c6) with screws (s2) on bottom panel G.

Step 2

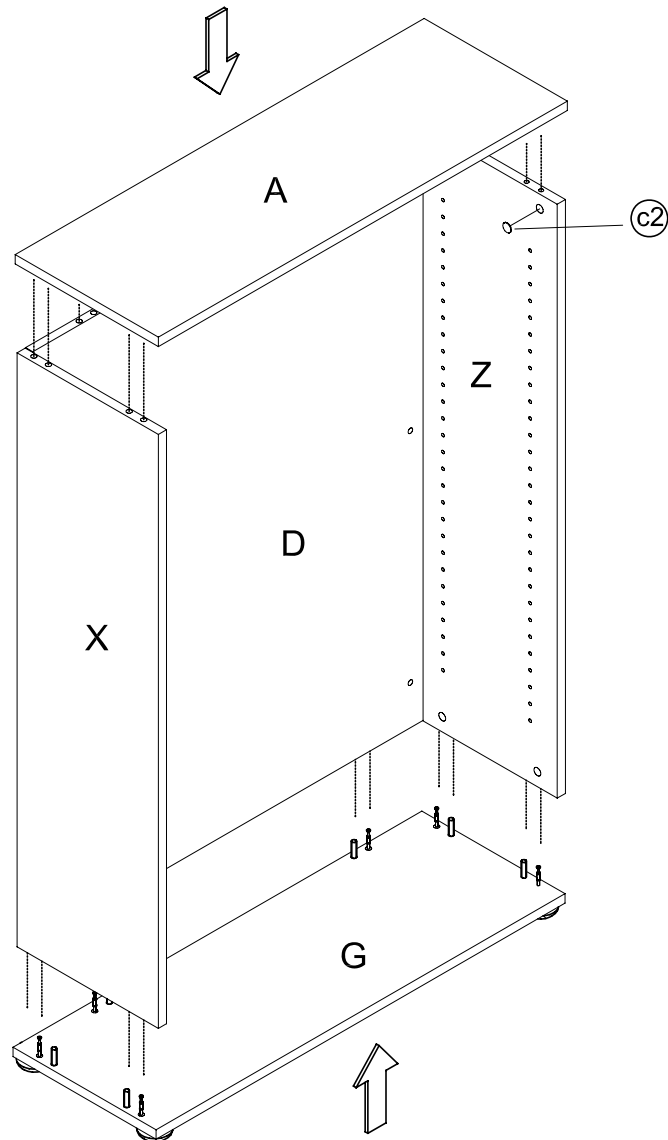
Left side panel X, Right side panel Z, and Back panel D assembly.



1. Insert cam bolts (c1) and dowel pins (d1) on panel X and Z into cams on panel D and tighten in a clockwise direction.

Step 3

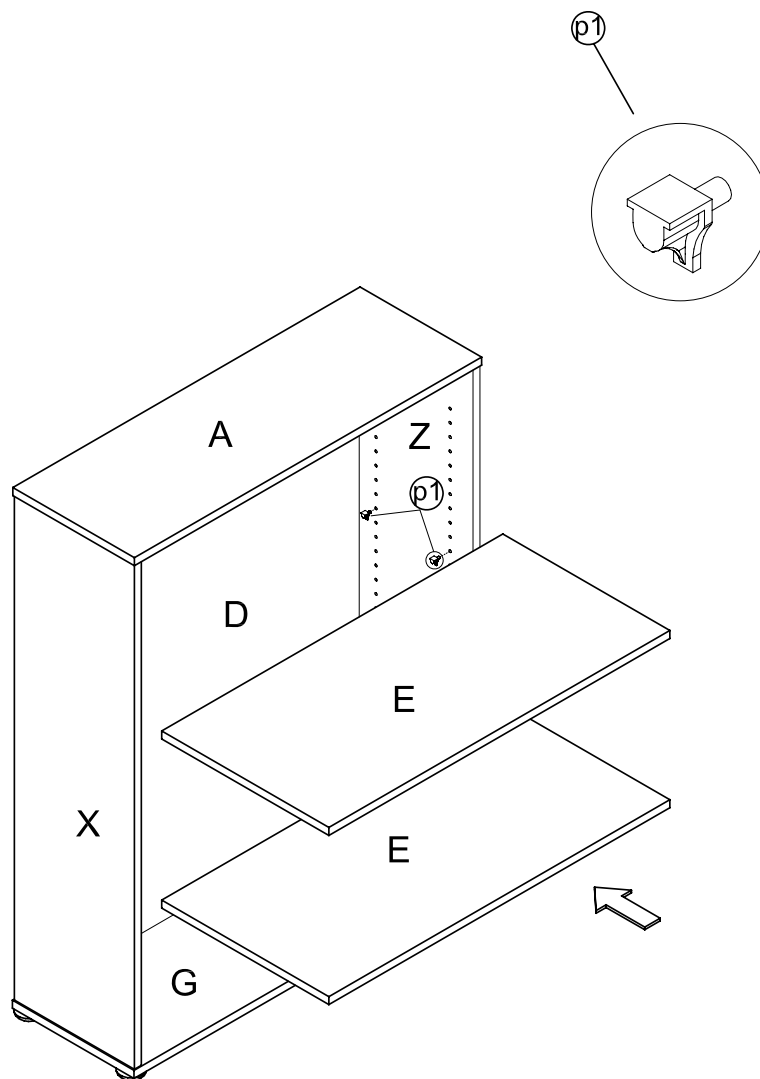
Bottom panel G and Top panel A assembly.



1. Insert cam bolts (c1) and dowel pins (d1) on panel G and A into cams on panel X, Z and D and tighten in a clockwise direction.
2. Cover top of cams with cam covers (c2).

Step 4

Moveable shelf E assembly.



1. Insert threaded dowel pins (p1) into panels X and Z.
2. Put the four panels E on the top of threaded dowel pins (p1).

Complete

