

# Eko Cupboard 900H

## Assembly Instructions

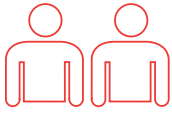
**Tools Required:** Powered Screwdriver



# Eko Cupboard 900H

## Assembly Instructions

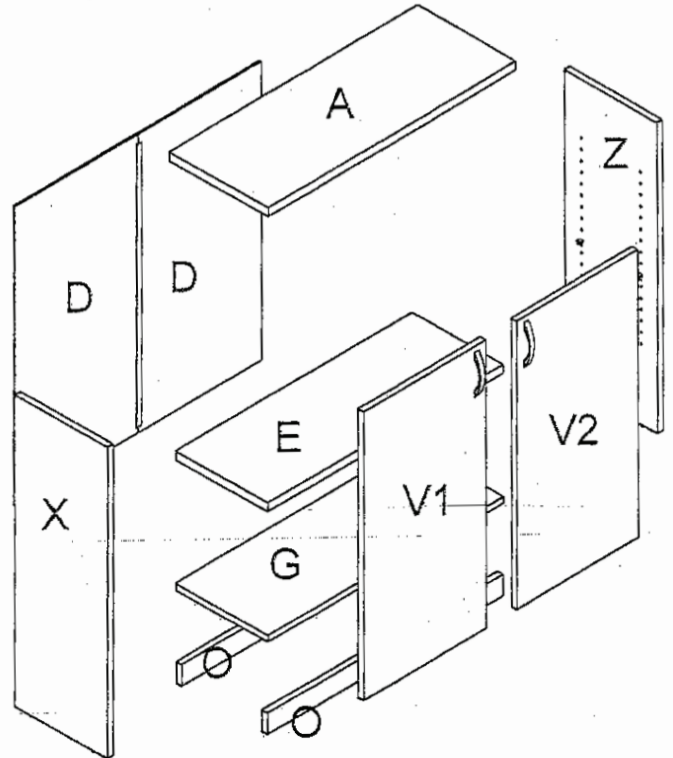
- To prevent possible scratches or damage, assemble the product on a soft surface such as a blanket, carpet or packaging.



**Recommended  
2-person Step**

### PARTS LIST

Item	Description	Quantity	Item	Description	Quantity
A	Top Panel	1	c1	6x35 Cam Bolt	16
X	Left side panel	1	d1	8x30 Dowel Pin	12
Z	Right side panel	1	c2	(5/8") Cam Cover	16
D	Back panel	2	p1	Threaded Dowel Pin	4
G	Bottom panel	1	s1	4x16 Screw	44
E	Adjustable Shelf	1	b4	Backing Strip	1
O	Batten	2	s7	4x22 Fix Bolt	4
V1	Door Panel	1	g4	Hinge Body	4
V2	Door Panel	1	g1	Hinge Stand	4
			h4	Handle	2



Ⓒ1 6\*35 Cam Bolt-16



Ⓓ1 8\*30 Dowel Pin-12



Ⓒ2 (5/8") Cam Cover-16



Ⓔ1 4\*16 Screw-44



Ⓓ4 Backing Strip-1



Ⓓ1 Threaded Dowel Pin-4



Ⓓ4 Hinge Body-4



Ⓓ1 Hinge Stand-4



Ⓔ7 4\*22 Fix Bolt-4



Ⓓ4 Handle-2

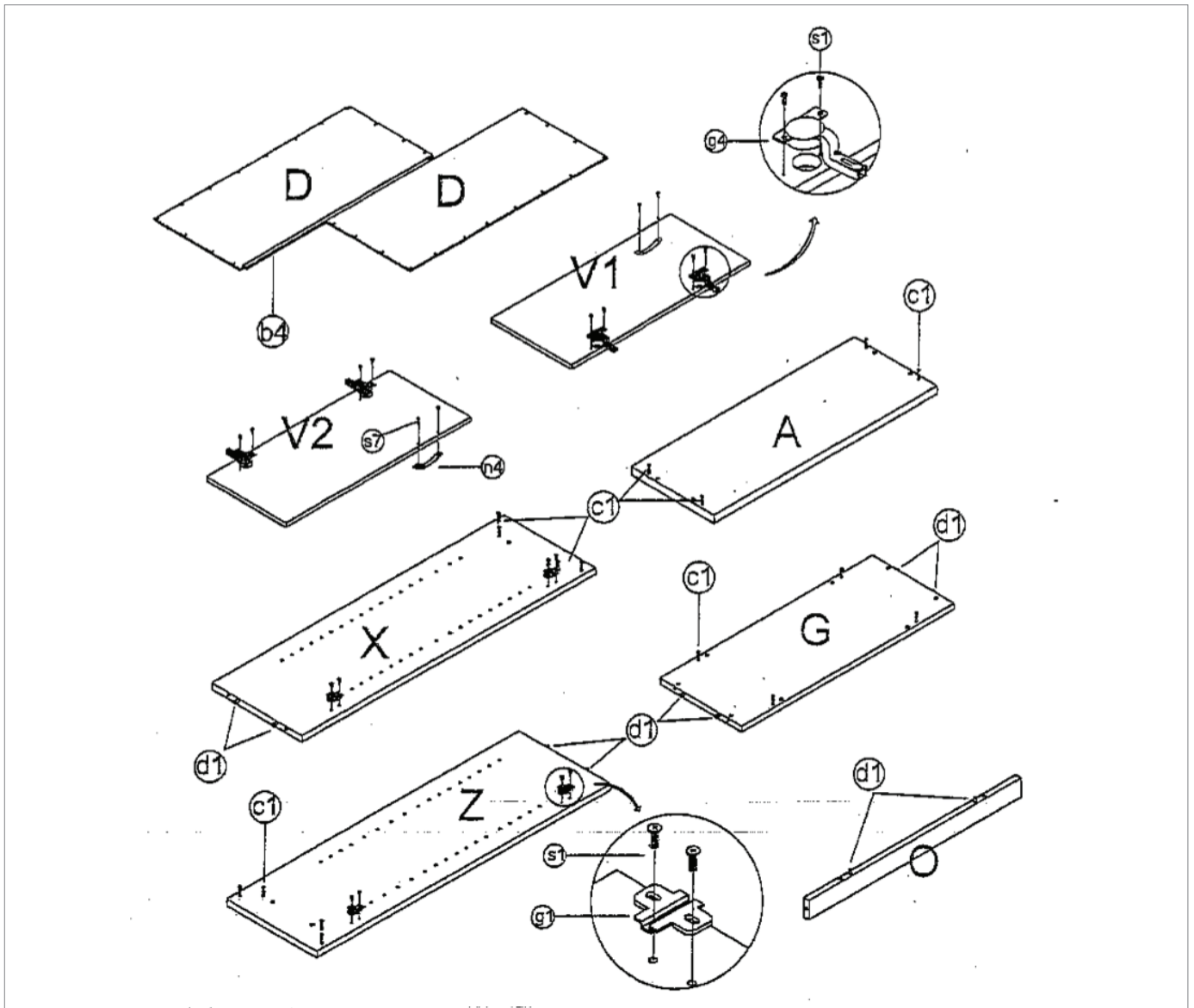
### Pre-installed parts



Ⓒ5 Cam

### Step 1

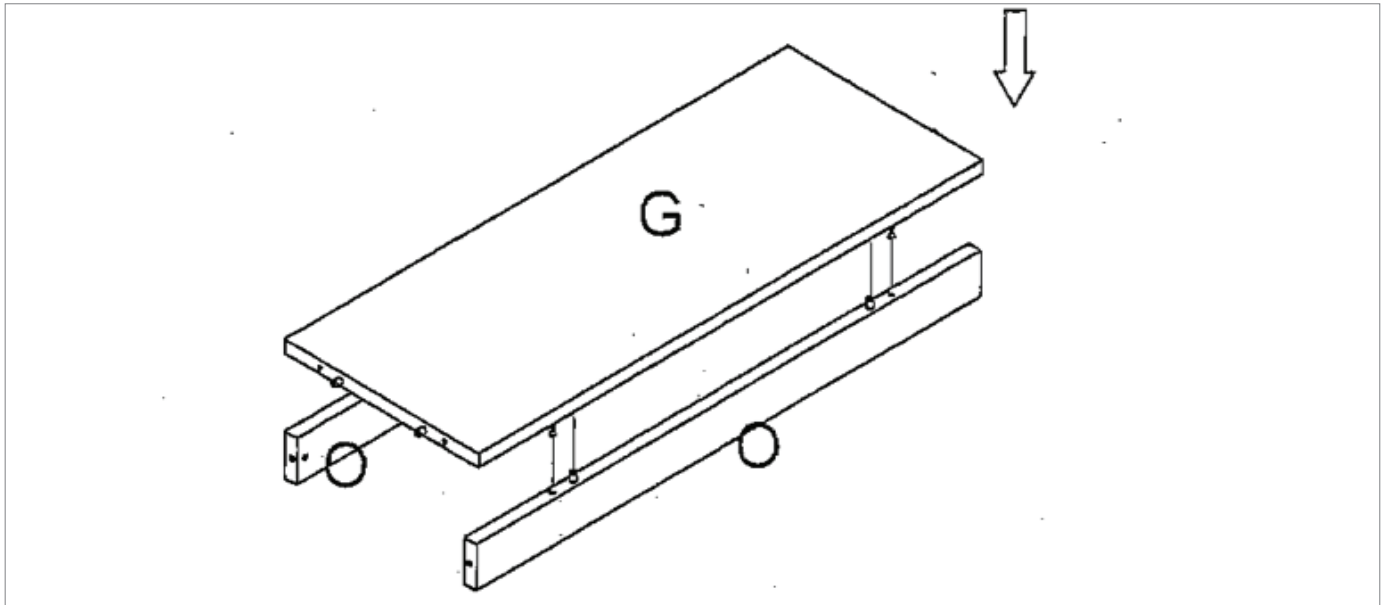
Preparation for top panel A, bottom panel G, left panel X, right panel Z, Batten O, back panels D, door panel V1 and V2.



1. Insert cams bolts (c1) and dowel pins (d1) into panels A, G, X and Z.
2. Insert dowel pins (d1) into panels X, Z, G and O.
3. Fix hinge stand (g1) to panels X, Z with screw (s1).
4. Fix hinge bodies (g4) to panels V1 and V2 with screws (s1).
5. Fix handles (h4) to panels V1 and V2 with fix bolts (s7).
6. Connect two back panel D by backing strip (b4).

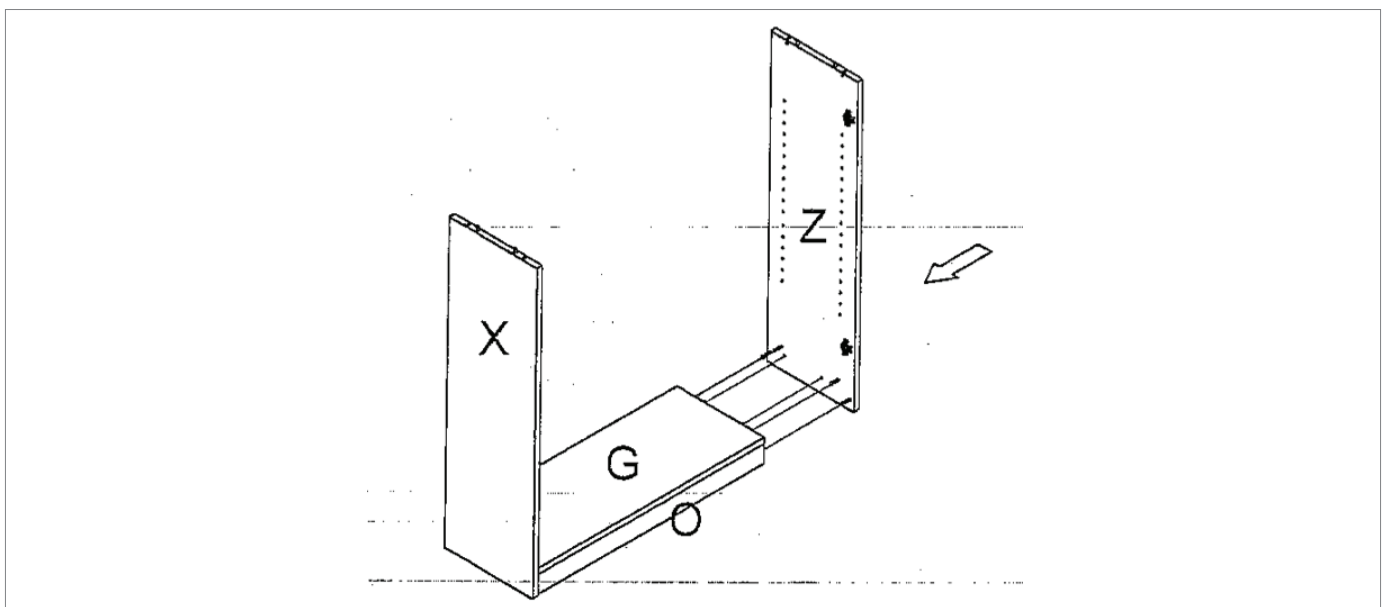
### Step 2

Insert cam bolts (c) on panel G into cams on panels O and fully tighten.



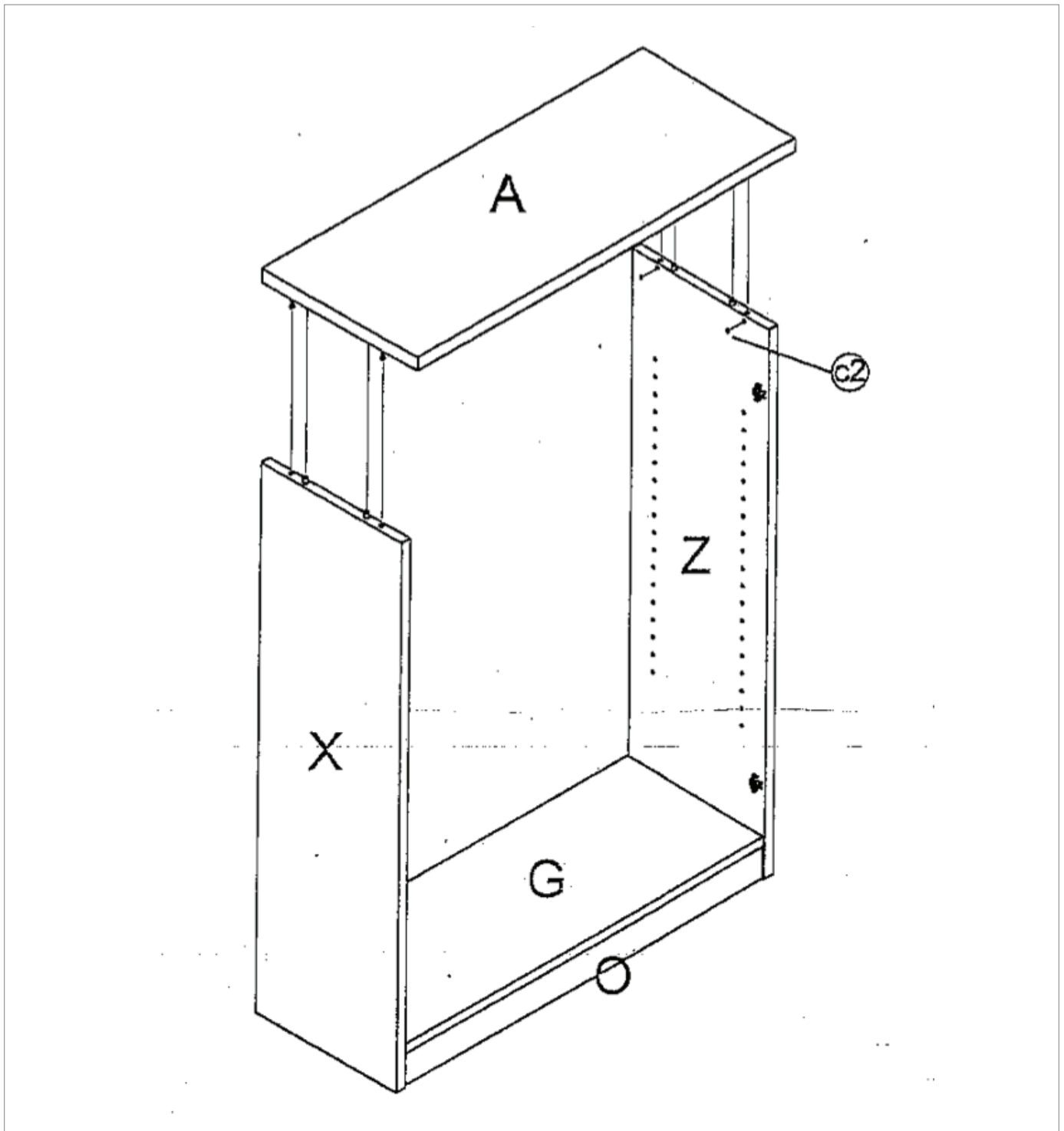
### Step 3

Insert cam bolts (c) on panel X and Z into cams on panels G, O and fully tighten.



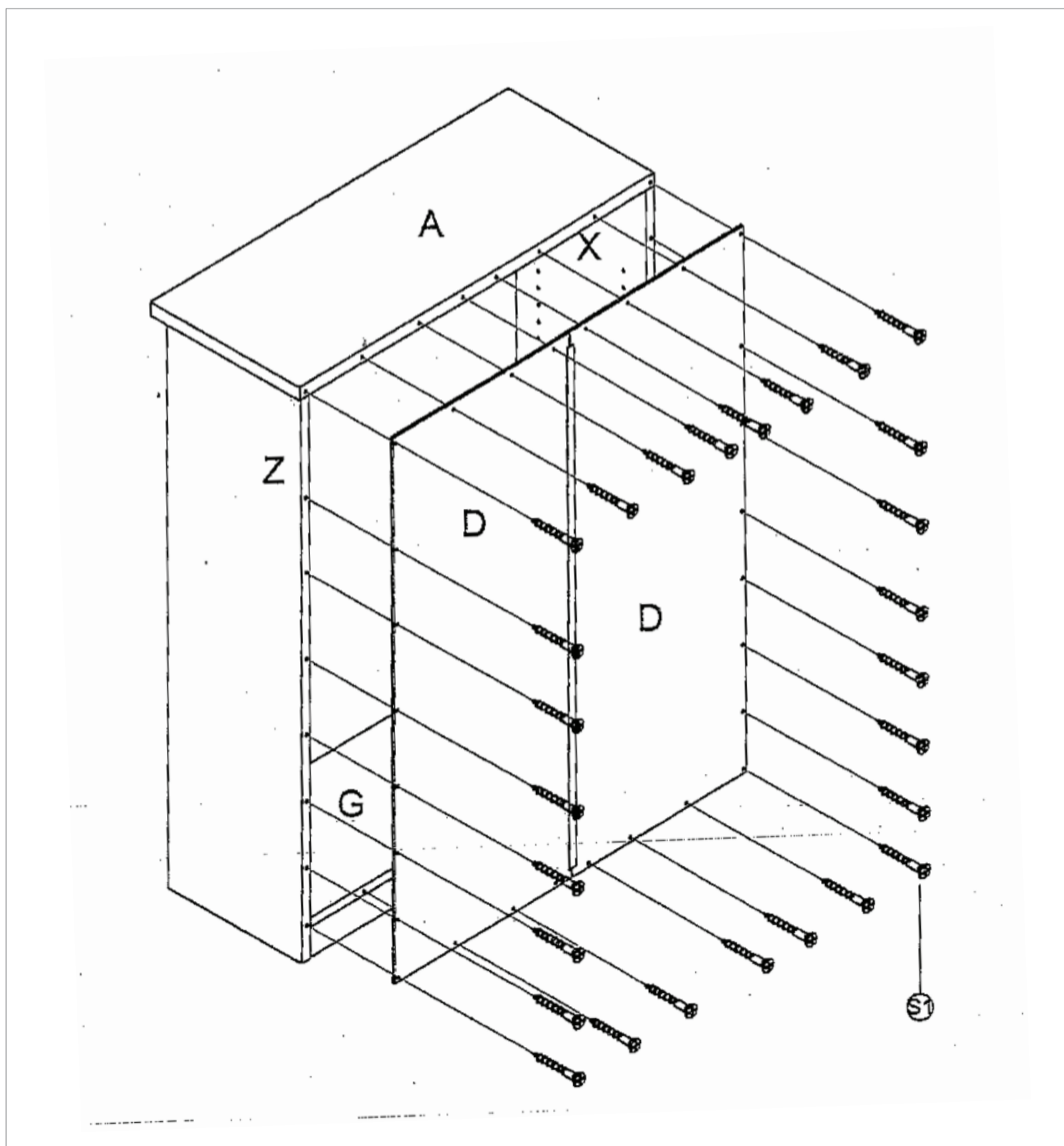
## Step 4

Insert cam bolts (c1) on panel A into cams on panel X, Z, G and O, then fully tighten.  
Cover the cam covers (c2) on the top of cams.



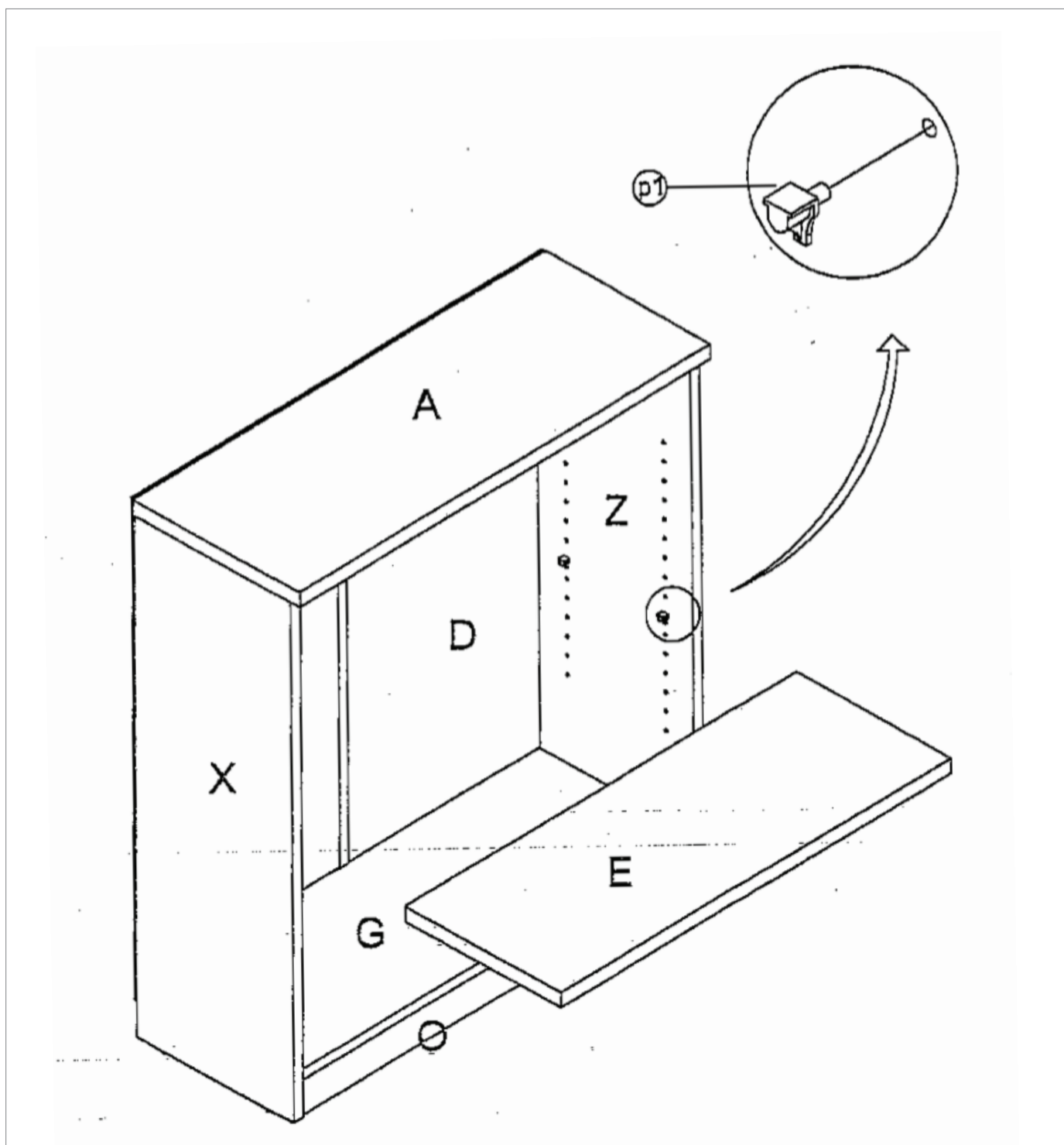
## Step 5

Fully tighten back panel D and panel A, X, Z, G with provided screw (s1).



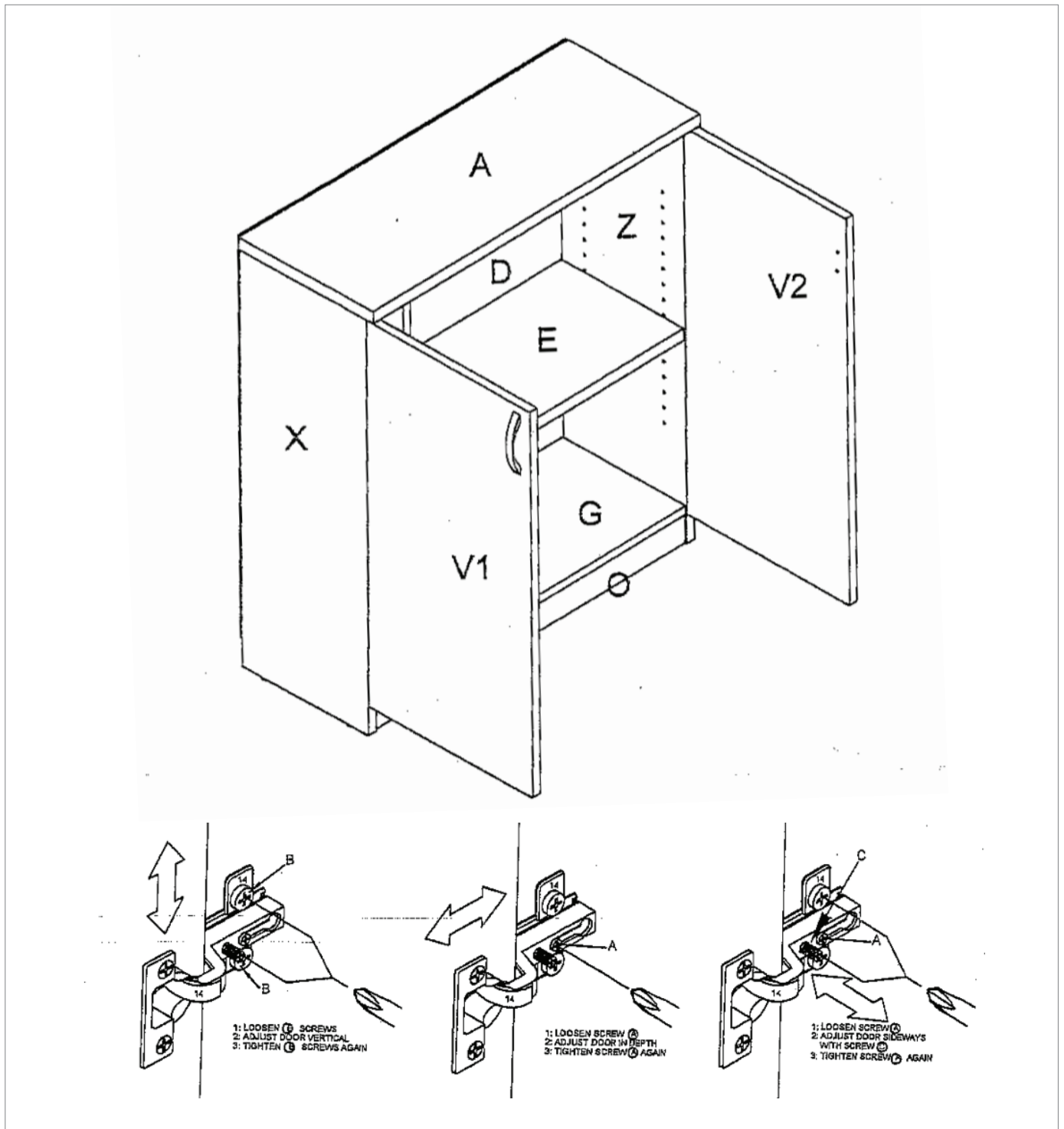
## Step 6

Insert threaded dowel pins (p1) into panels X and Z, put the two panels E on the top of threaded dowel pins (p1).



### Step 7

Assembly door panel V1 and V2 with panel X and Z.





## Complete

---

