

# Eko Bookcase 1200H

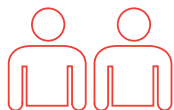
## Assembly Instructions

**Tools Required:** Powered Screwdriver

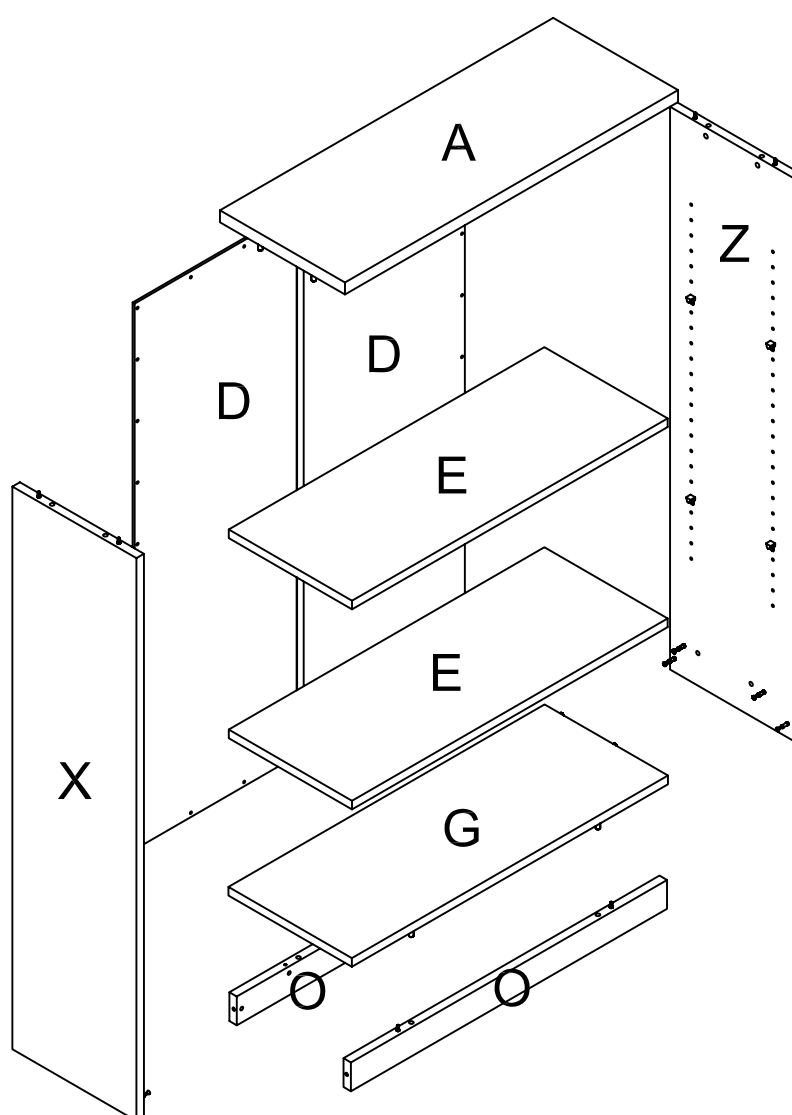


## Assembly Instructions

- To prevent possible scratches or damage, assemble the table upside down on a soft surface such as a blanket, carpet or packaging.



**Recommended  
2-person Step**



## Assembly Instructions

### Parts

Item	Description	Qty	Item	Description	Qty
A	Top Panel	1	<b>c1</b>	6*35 Cam Bolt	16
X	Left Side Panel	1	<b>d1</b>	8*30 Dowel Pin	12
Z	Right Side Panel	1	<b>c2</b>	5/8" Cam Cover	16
D	Back Panel	2	<b>p1</b>	Threaded Dowel Pin	8
G	Bottom Panel	1	<b>s1</b>	4*16 Screw	32
E	Adjustable Shelf	2	<b>b4</b>	Backing Strip	1
O	Batten	2			



**c1** 16 x 6\*35 Cam Bolts



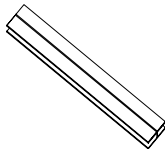
**d1** 12 x 8\*30 Dowel Pin



**c2** 16 x 5/8" Cam Cover



**p1** 32 x 4\*16 Screw



**c6** 1 x Backing Strip



**s2** 8 x Threaded Dowel Pin

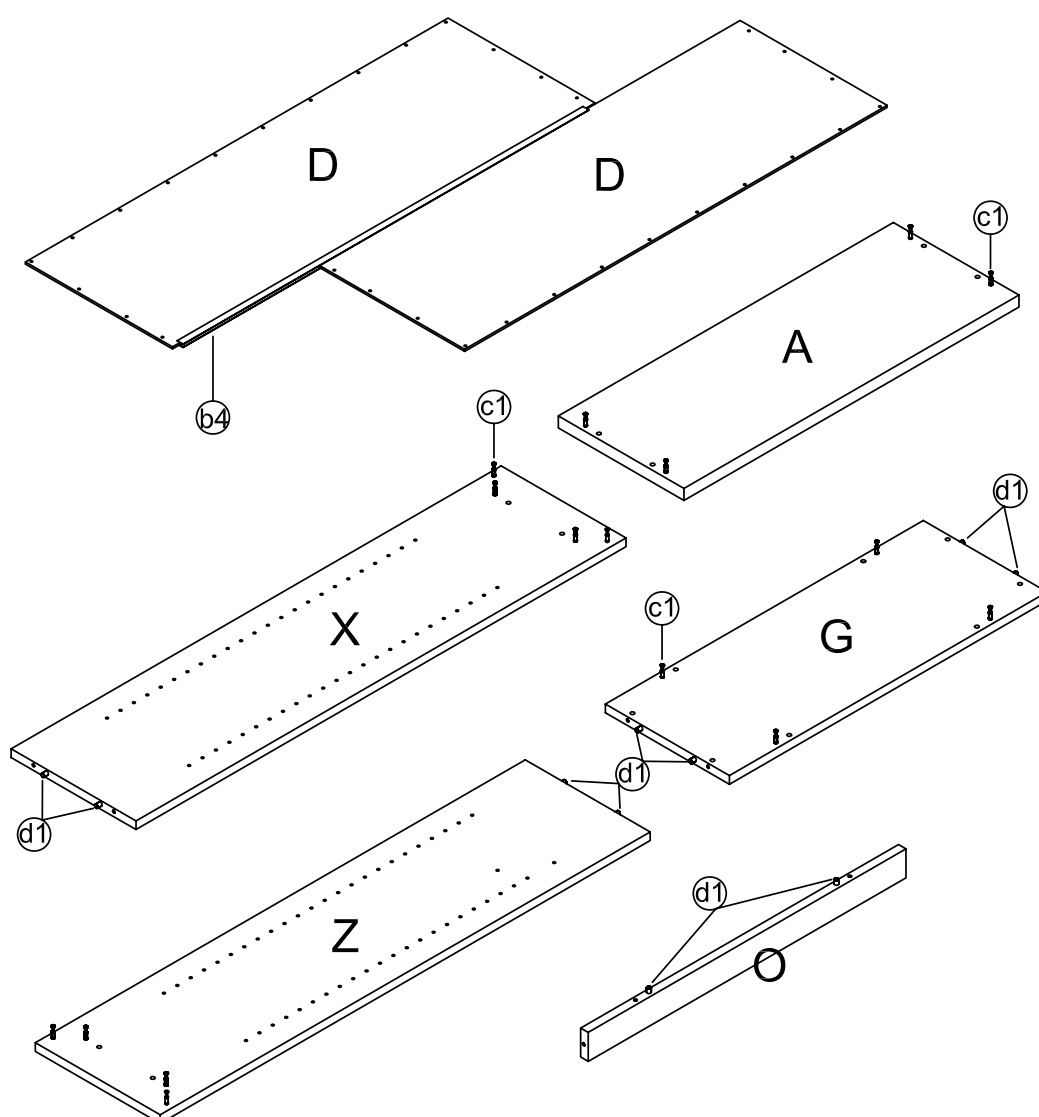
#### Pre-installed Parts



**c5** Cam

### Step 1

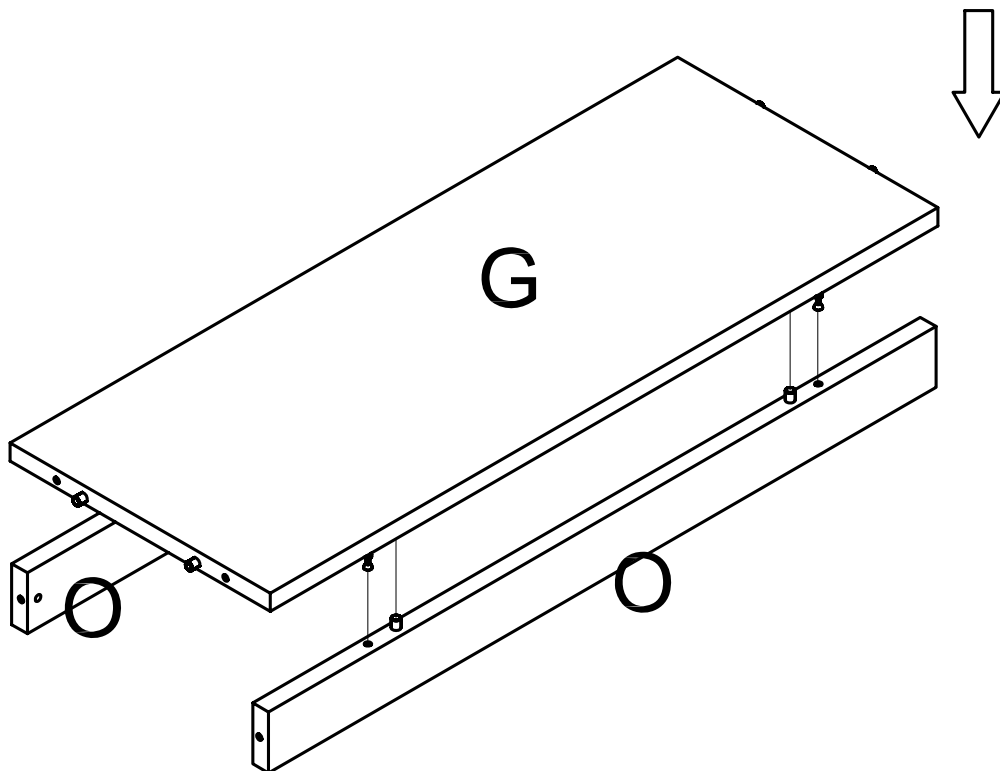
Preparation for Bookcase top panel A, bottom panel G, left side panel X, right side panel Z, Batten O, back panels D.



1. Insert cam bolts (c1) and dowel pins (d1) into panels A, G, X and Z.
2. Insert dowel pins (d1) into panels X, Z, G and O.
3. Connect two back panel D by backing strip (b4).

### Step 2

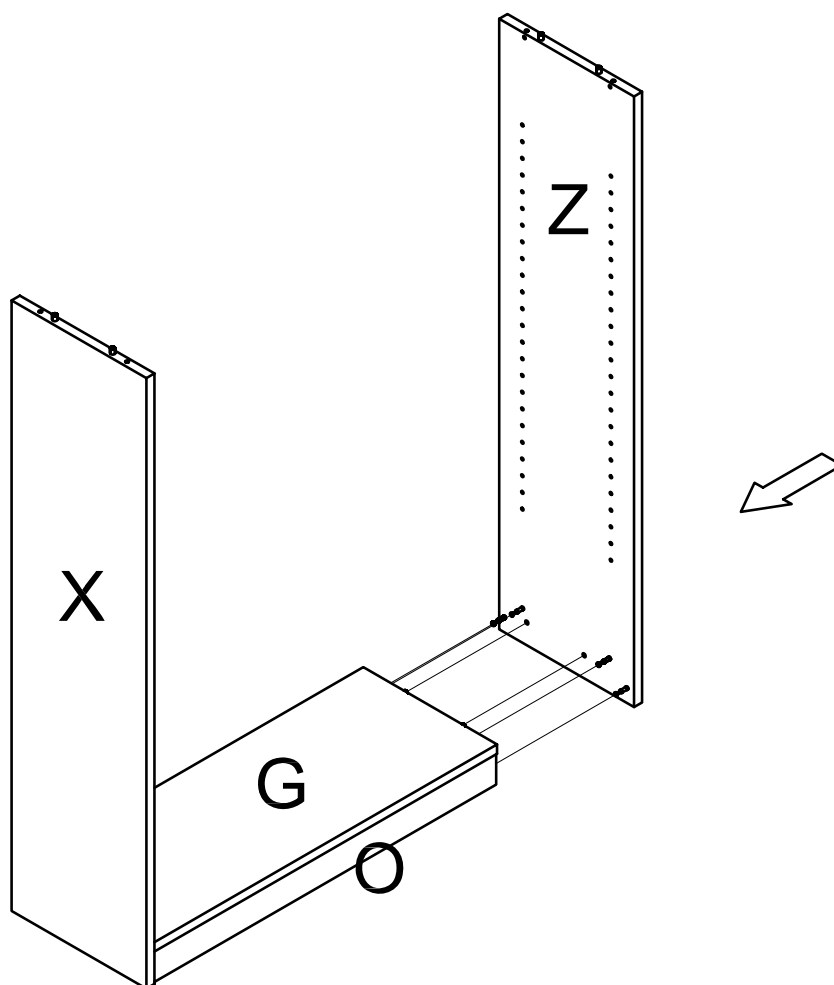
Bottom panel G and Batten O assembly.



1. Insert cam bolts (c1) on panel G into cams on panels O and tighten in a clockwise direction.

### Step 3

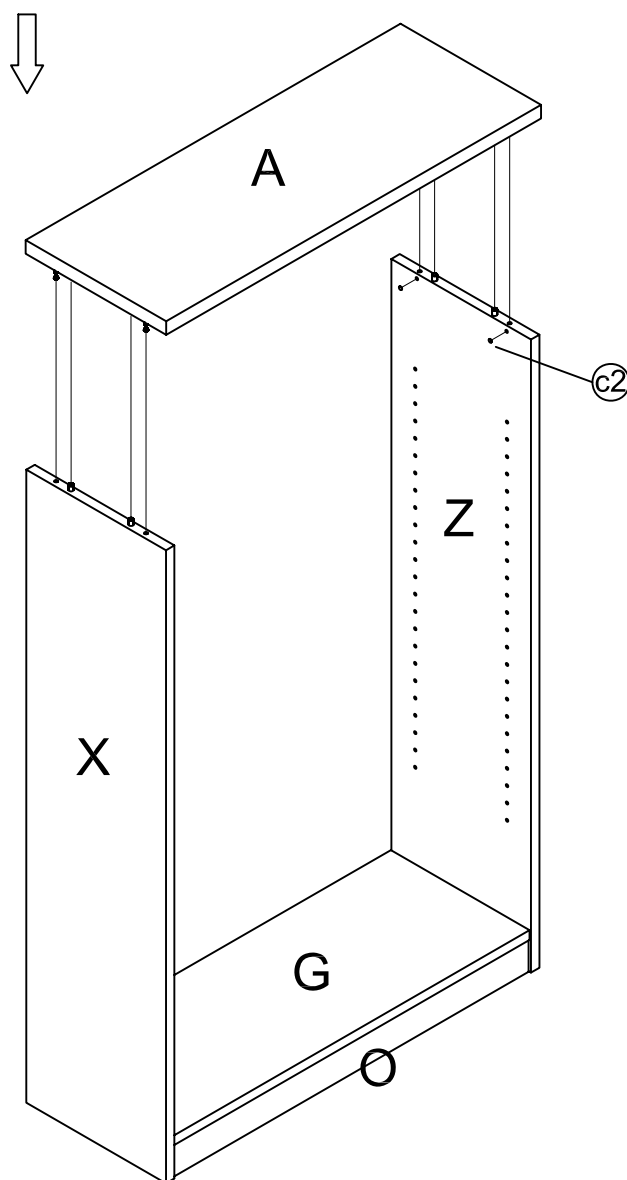
Bottom panel G, left side panel X, right side panel Z and Batten O assembly.



1. Insert cam bolts (c1) on panel X and Z into cams on panels G and O - tighten in a clockwise direction.

### Step 4

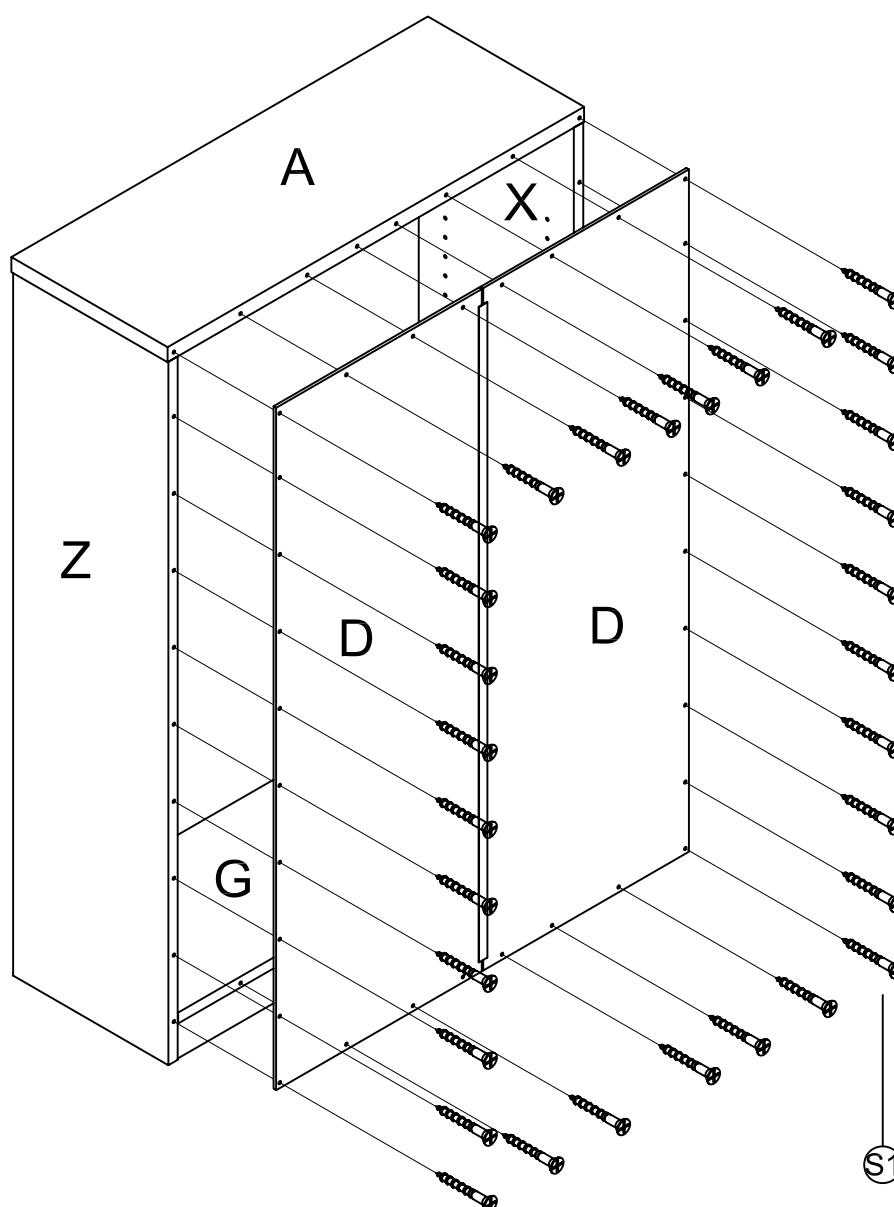
Bookcase top panel A assembly.



1. Insert cam bolts (c1) on panel A into cams on panel X, Z, G and O tighten in a clockwise direction.
2. Cover top of cams with cam covers (c2).

## Step 5

Bookcase back panel D assembly.

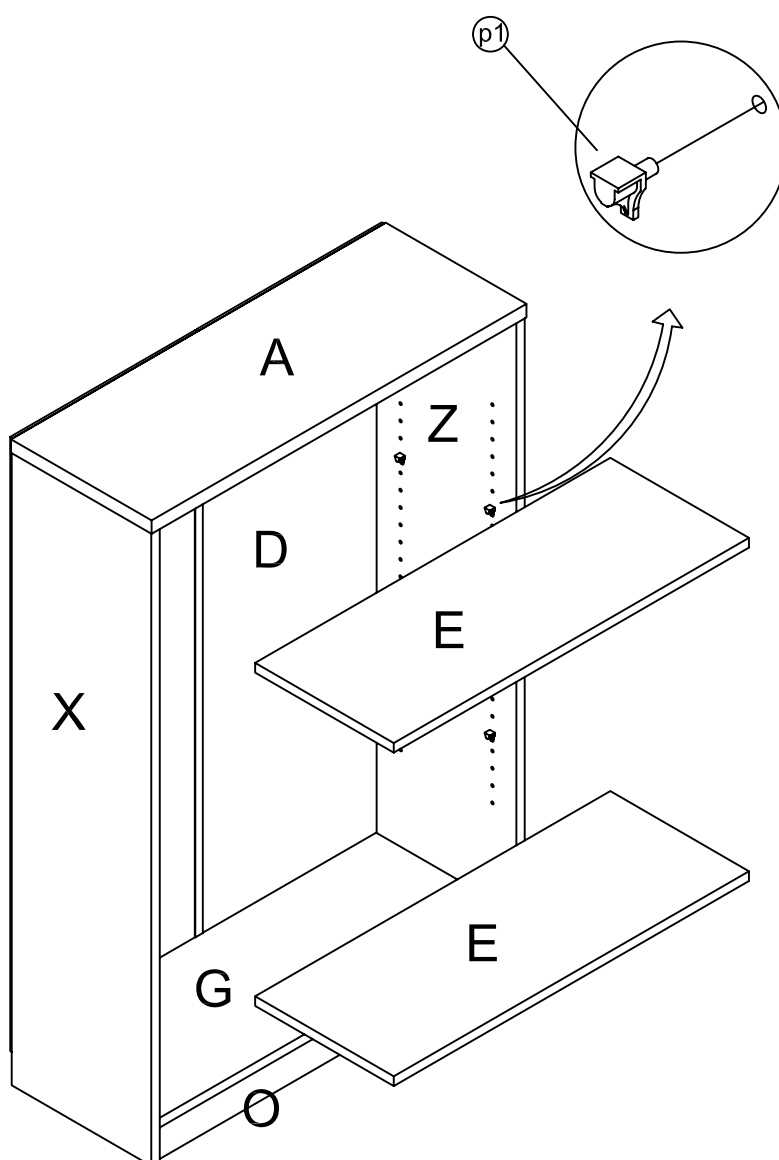


1. Connect back panel D and panel X, Z, G, A with screw (s1).



### Step 6

Moveable shelf E assembly.



1. Insert threaded dowel pins (p1) into panels X and Z.
2. Put the two panels E on the top of threaded dowel pins (p1).

### Completed

---

