

Cubit Reception Return

Assembly Instructions

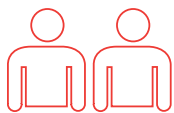
Tools Required: Powered Screwdriver



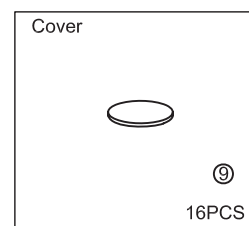
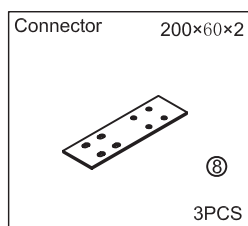
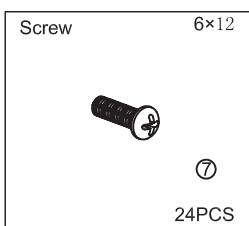
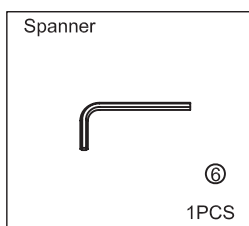
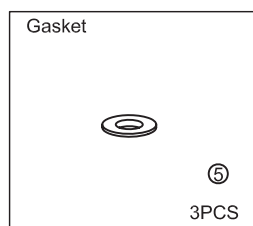
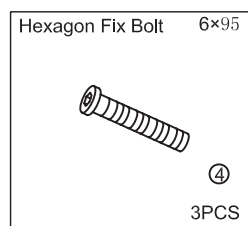
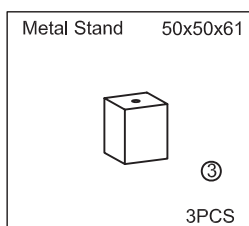
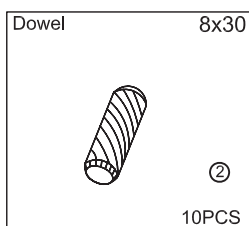
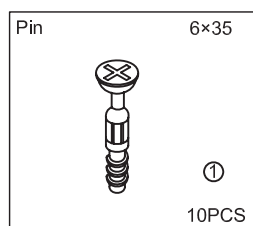
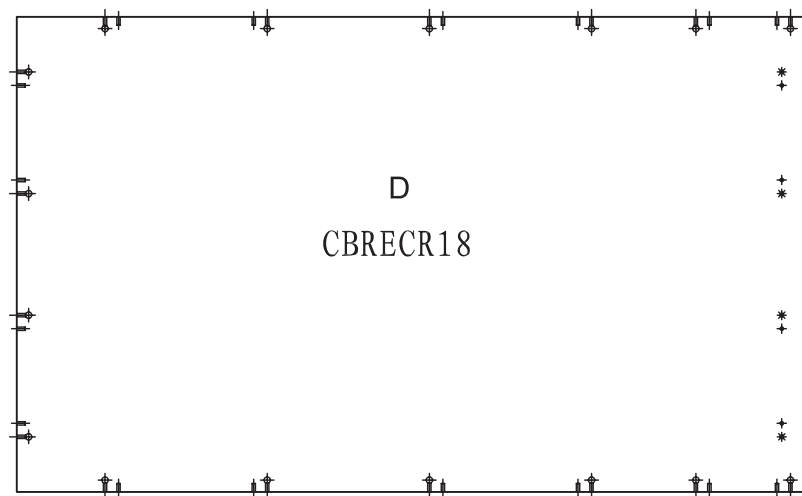
Cubit Reception Return

Assembly Instructions

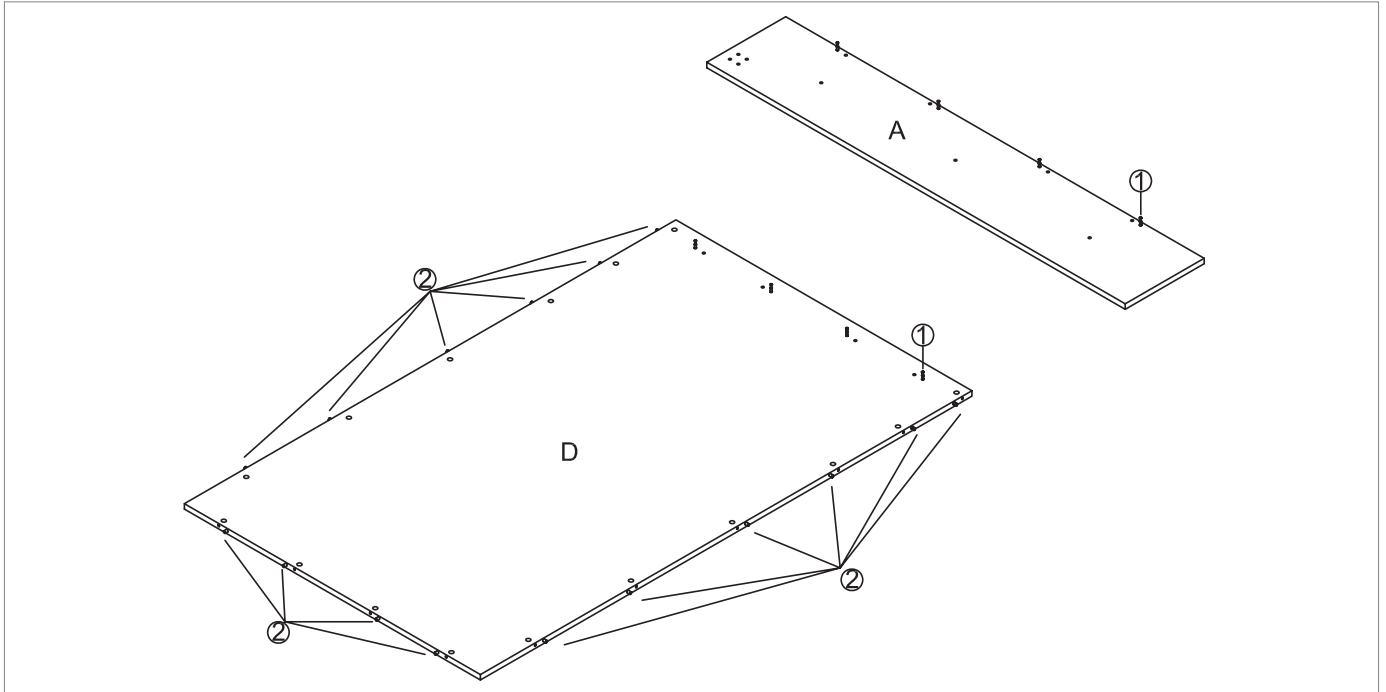
- To prevent possible scratches or damage, assemble the product upside down on a soft surface such as a blanket, carpet or packaging.



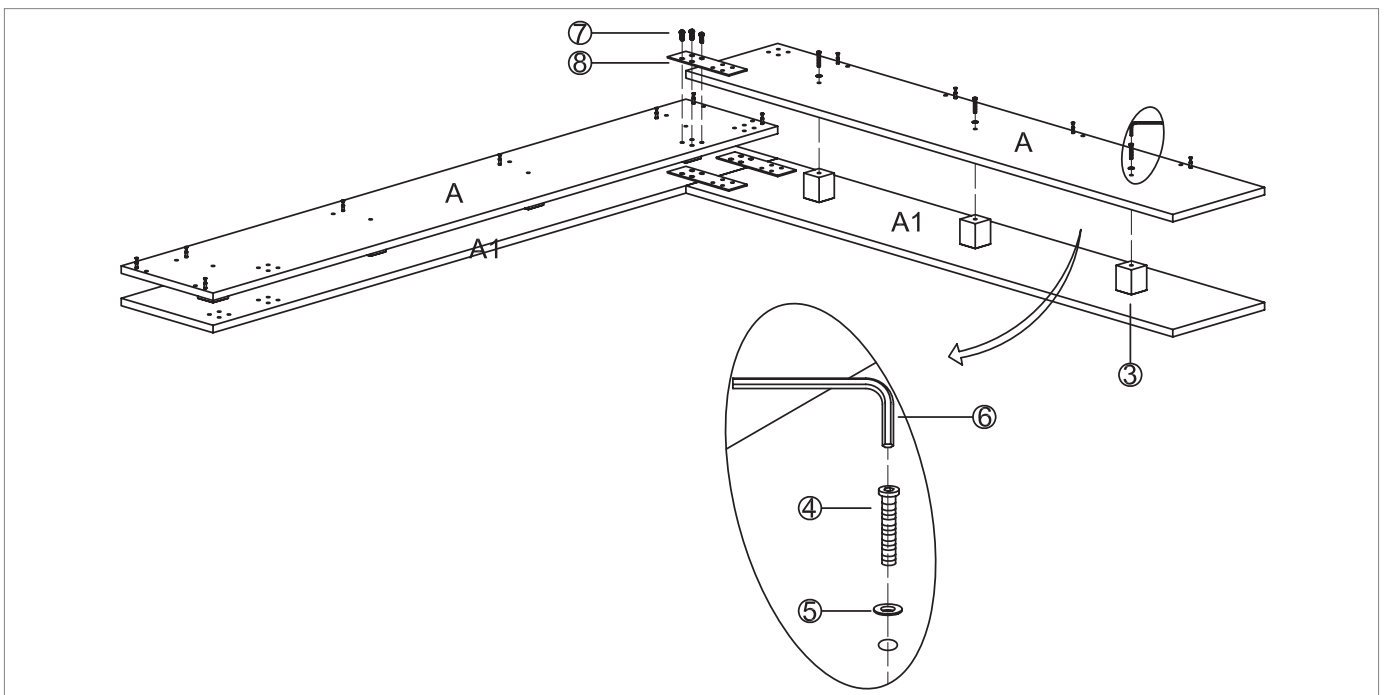
**Recommended
2-person Step**



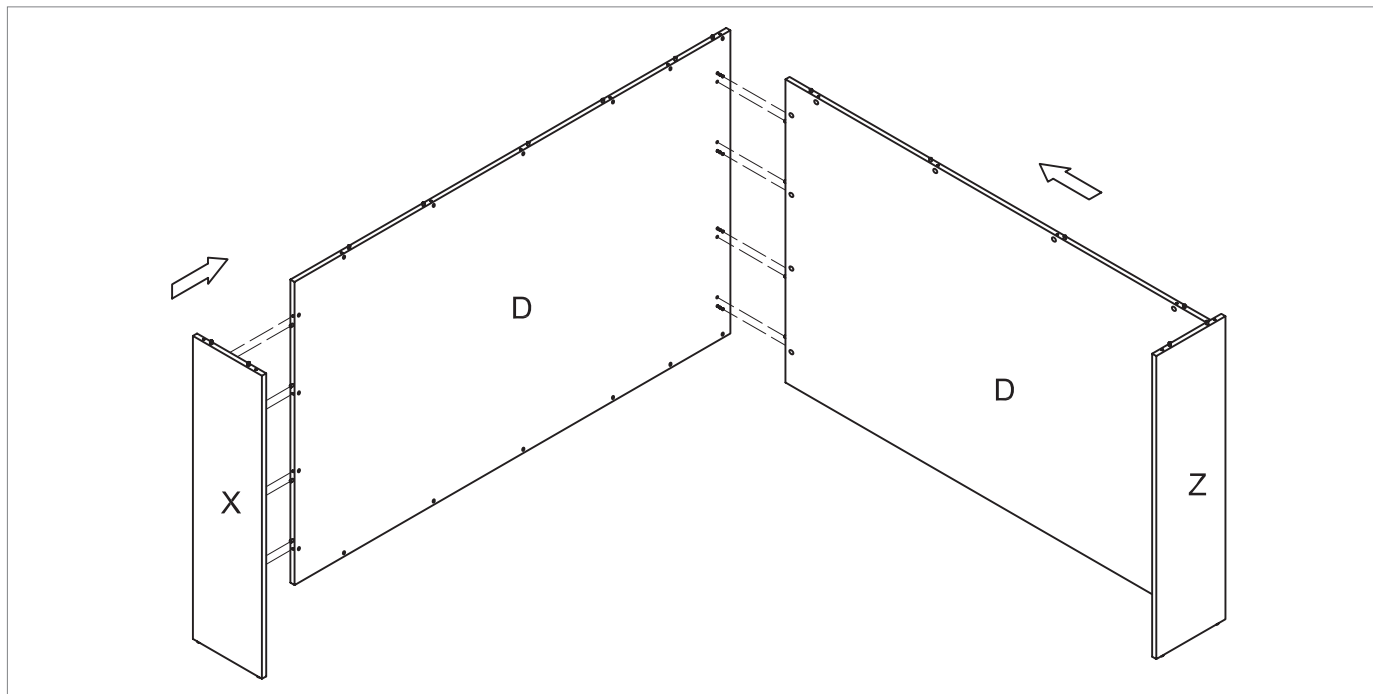
Step 1



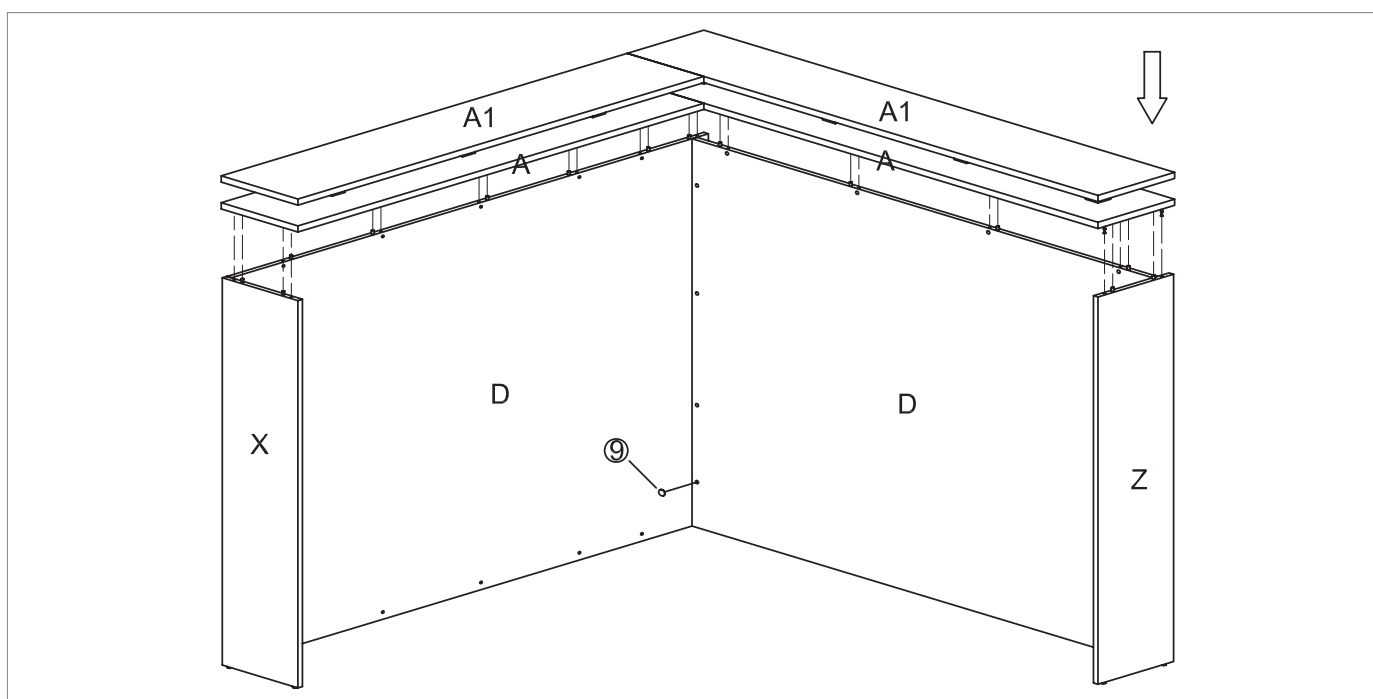
Step 2



Step 3



Step 4



Completed

