

Cubit Meeting Table

Assembly Instructions

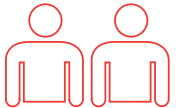
Tools Required: Powered Screwdriver



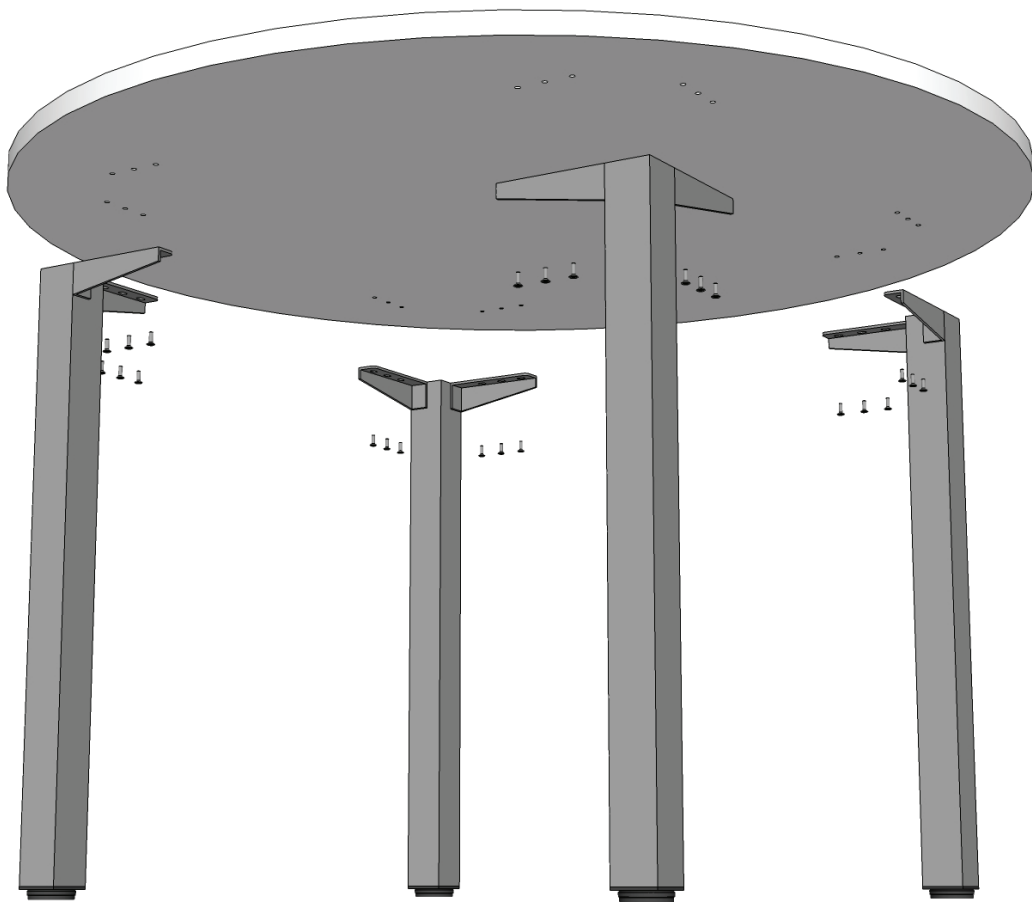
Cubit Meeting Table

Assembly Instructions

- To prevent possible scratches or damage, assemble the table upside down on a soft surface such as a blanket, carpet or packaging.
- Attach leg to the top assembly by using bolts, spring washer, flat washer. Tighten using the allen wrench.

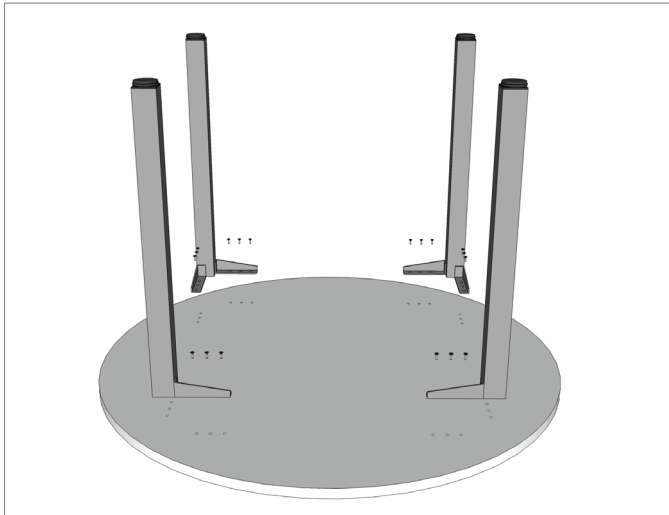


**Recommended
2-person Step**



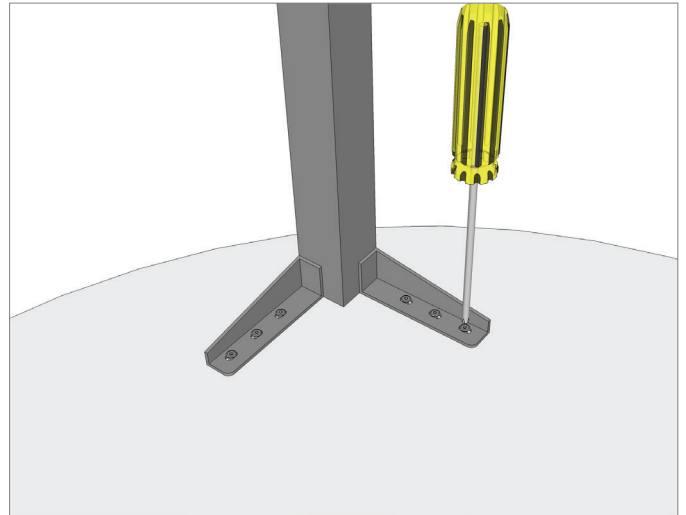
Step 1

Place the legs to the desk top.



Step 2

Fully tighten all legs to desk top with provided screws.



Completed

