

Cubit Bar Leaner

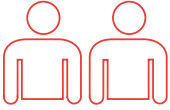
Assembly Instructions

Tools Required: Powered Screwdriver & Allen Key

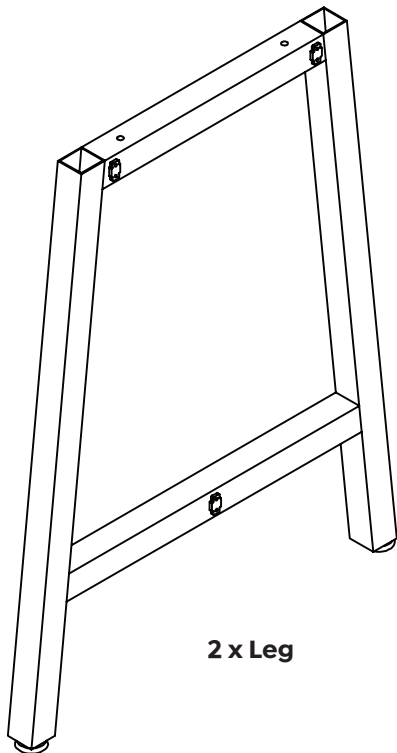


Assembly Instructions

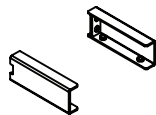
- To prevent possible scratches or damage, assemble the bar leaner upside down on a soft surface such as a blanket, carpet or packaging.



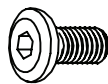
**Recommended
2-person Step**



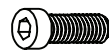
2 x Leg



3 Pair x L&R AXKDSPIGE / ANVBARAIL



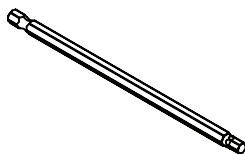
12 x M8x16



12 x M6x20



8 x ST5x70



Electric Driver - Hex

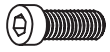


Electric Driver - Square

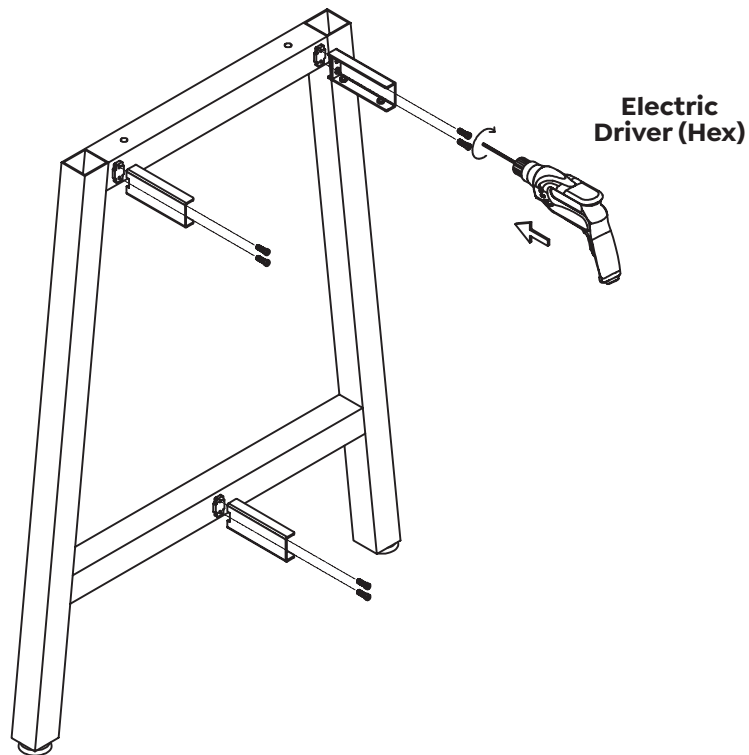


Allen Key

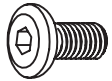
Step 1



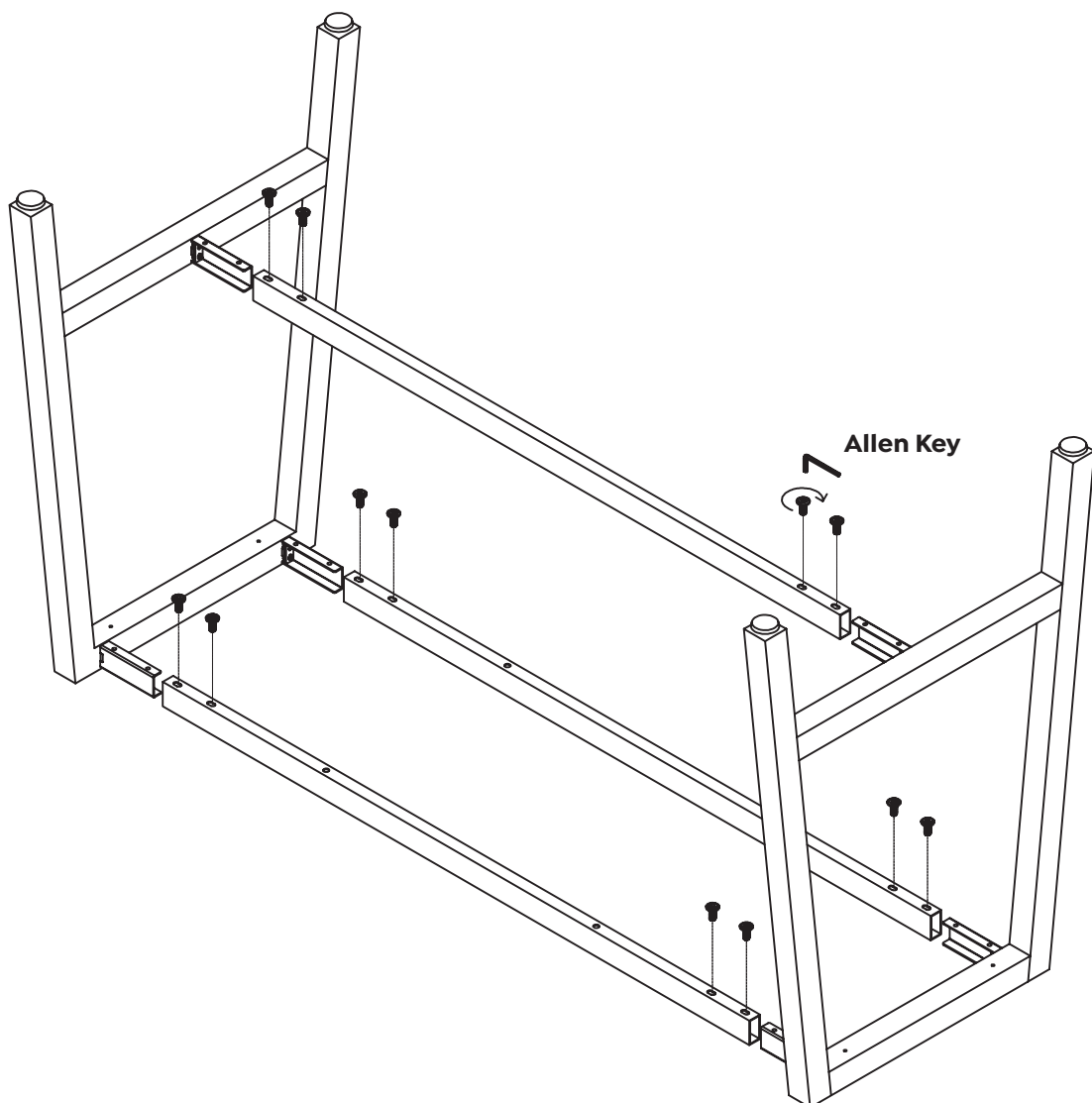
12 × M6×20



Step 2



12 × M8×16



Step 3



8 × ST5×70

Electric Driver
(Square)

