

ASSEMBLY INSTRUCTIONS

MODEL : PX7 RC16/RC18
DESC : RECEPTION COUNTER

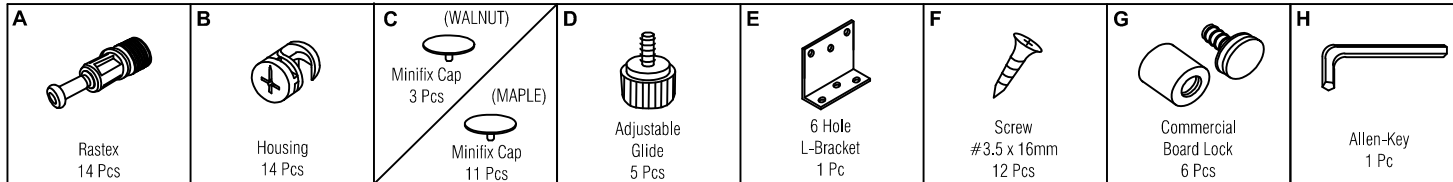
DOC. NO : RD-F05-AT
REV. NO : A
REV. DATE : 01.01.2017

Thanks you for purchasing this quality product. Be sure to lay all components on a soft and clean surface before assembly in order to avoid components from being scratched.

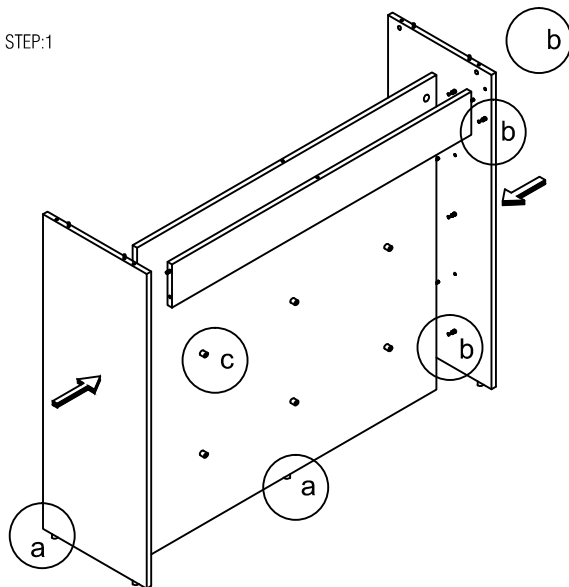
REV. :A DATE : 18/01/2017
Remark: Atleast 2 person to assembly this product.

CAUTIONS :

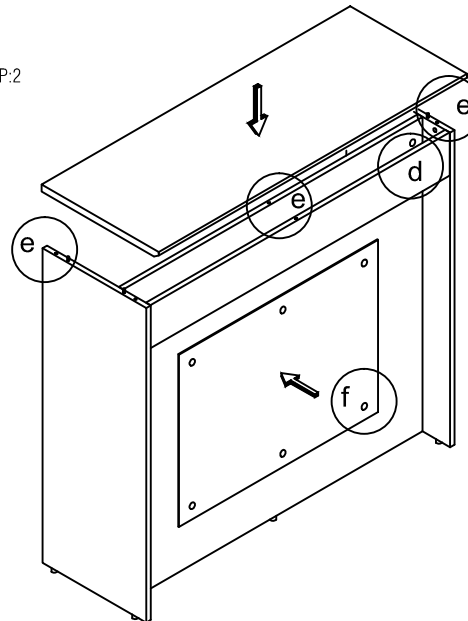
1. Check contents against list for quantity.
2. Familiarize yourself with the components and hardware by reviewing the Assembly Instructions.
3. Do not over tightened the screws and bolts as it may damage the threads.
4. Keep all hardware parts out of the reach of children.



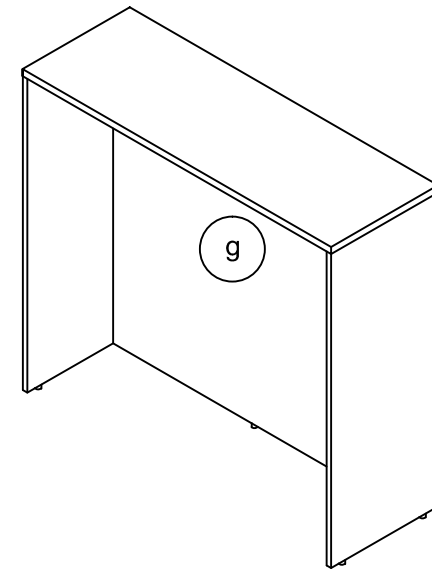
STEP:1



STEP:2



STEP:3



COMPLETE ASSEMBLY

