

# Agile Desk - Winder

## Assembly Instructions - Single Sided, Double Sided, Returns

**Tools Required:** Powered Screwdriver



## Contents

Winder <b>Single</b> Sided Desk	Page 4
Winder <b>Single</b> Sided Desk with Desk Hung Screen	Page 16
Winder <b>Single</b> Sided Desk with Cable Tray	Page 24
Winder <b>Double</b> Sided Desk	Page 29
Winder <b>Double</b> Sided Desk with Screen	Page 46
Winder <b>Double</b> Sided Desk with Cable Tray	Page 51
Winder <b>Return Right</b> Hand	Page 58
Winder <b>Return Right</b> Hand <b>Single</b> Sided Desk	Page 62
Winder <b>Return Right</b> Hand <b>Double</b> Sided Desk	Page 65
Winder <b>Return Left</b> Hand	Page 68
Winder <b>Return Left</b> Hand <b>Single</b> Sided Desk	Page 72
Winder <b>Return Left</b> Hand <b>Double</b> Sided Desk	Page 75

### IMPORTANT

Please carefully read the assembly instructions and direction for use prior to instalment, use and maintenance of the table frame to gain a complete understanding of its contents. It provides you with important information about the safety, use, installation and maintenance of the table.

**WARNING: FAILURE TO COMPLY WITH OR OBSERVE ALL ASSEMBLY, SAFETY AND OPERATION INSTRUCTIONS REGARDING THE USE OF THIS PRODUCT MAY RESULT IN SERIOUS BODILY INJURY.**

### SAFETY

- The table must be used in a safe manner. Inappropriate use may cause damage to the table and/or cause bodily harm to the user or persons nearby.
- Do not use the table frame to lift people.
- Please retain this operation manual and pass it on to any future owner.

### USAGE

- The height-adjustable table is designed for use in dry work environments only.
- The table height is infinitely adjustable within its height range so that it can be set to the user's most ergonomic working height. The user should seek professional help to establish their optimum working height.
- The table has been designed as a devise to elevate the users work surface and associated office peripherals. Do not use the table frame for any other purposes than that which it has been designed for. Any other use is at user's own risk!
- Do not crawl, lie or move around under the table frame, and do not sit or stand on the table frame.
- CHILDREN should only use the table when supervised by adults.
- Liability: The manufacturer accepts under no circumstances warranty claims or liability claims for damages arising from improper use or handling of the table frame other than that described in this operation manual.

### SET UP AND INSTALLATION

Assemble the table frame according to the following pages in this assembly instructions guide.

- Place the table in a safe distance from window frames, radiators, furniture etc. so that persons cannot become trapped.
- Level the table with the adjustable feet ensuring that the table is stable.

The table is now ready for use.

### MAINTENANCE

- The table does not require any maintenance by the user
- The table is only to be cleaned with a wrung cloth.

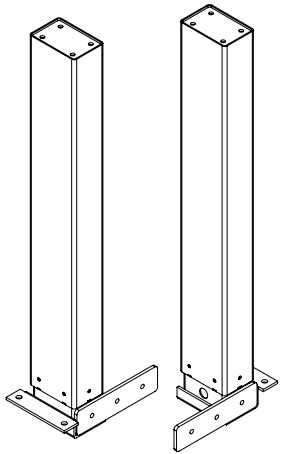
### TECHNICAL DATA

Height Range: 680-1130mm includes worktop  
Speed: Up and down speed 5mm/turn  
Weight Rating: 100kg

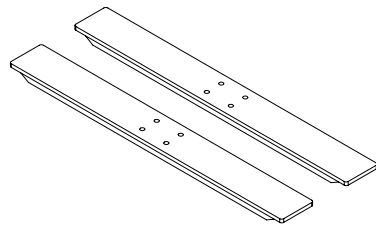
# Agile Desk - Winder Single Sided

## Assembly Instructions

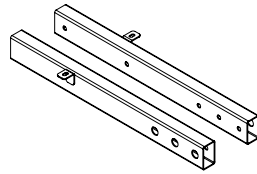
### Parts



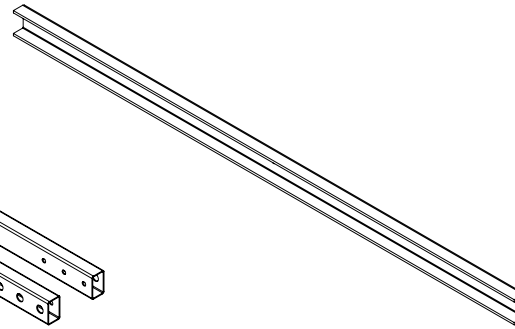
1 x Left & Right Leg Pair



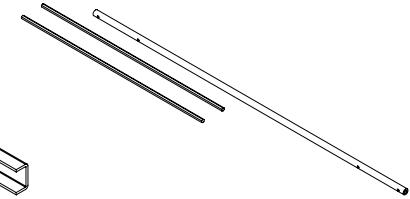
2 x Foot



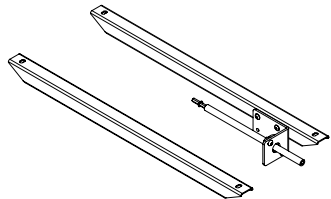
2 x Leg Rail



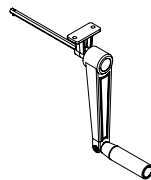
1 x Cross Rail



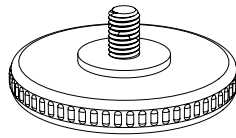
1 x Drive Shaft



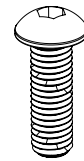
1 x L&R Support Bar Pair



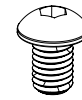
1 x Winder



4 x Levelling Foot



8 x M8x25



8 x M8x10



6 x ST5.0x23



2 x M8x10



2x Washer



2 x ST3.9x12



# Agile Desk - Winder Single Sided

## Assembly Instructions

### Step 1



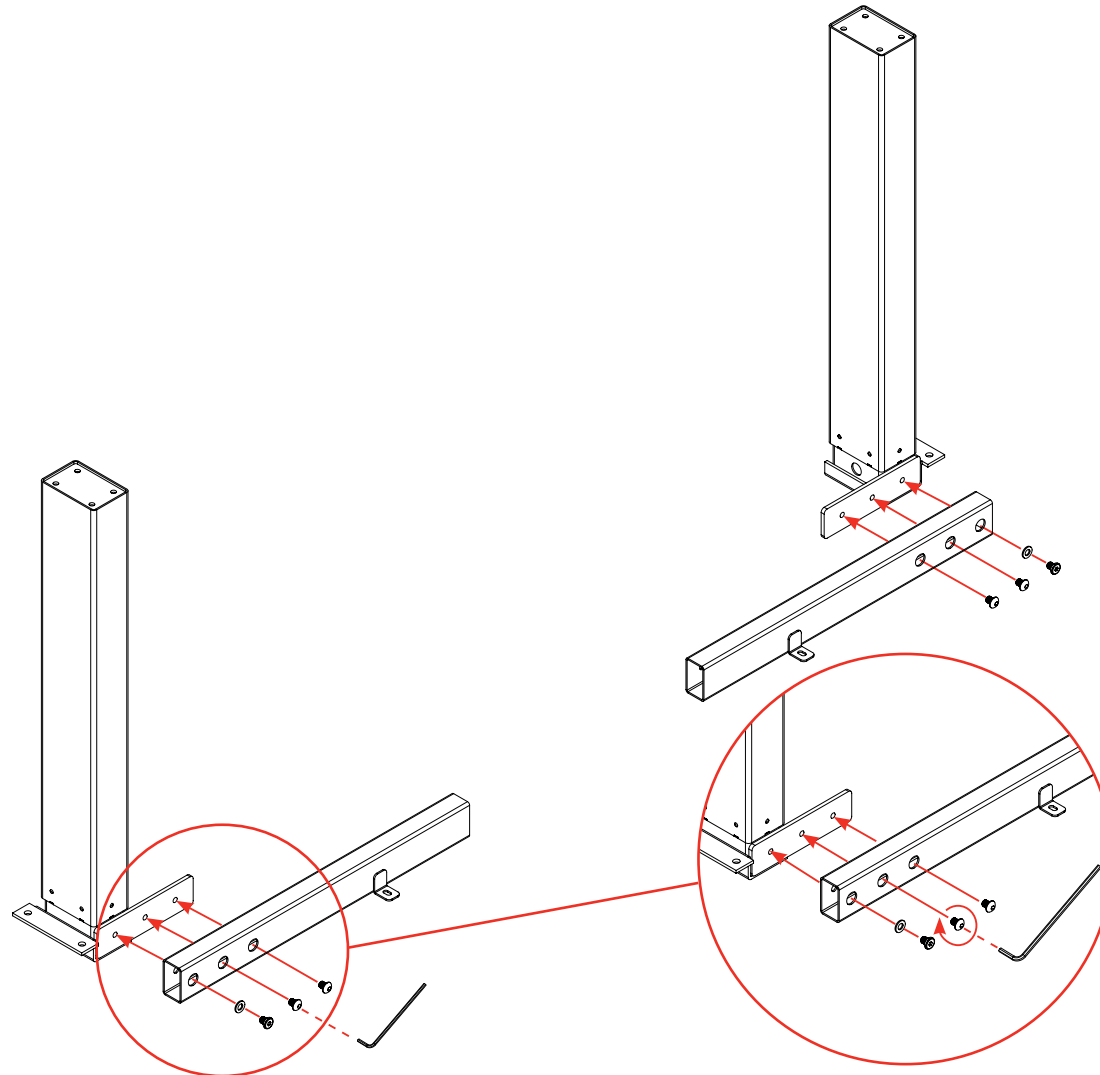
2 x M8x10



2 x M8x10



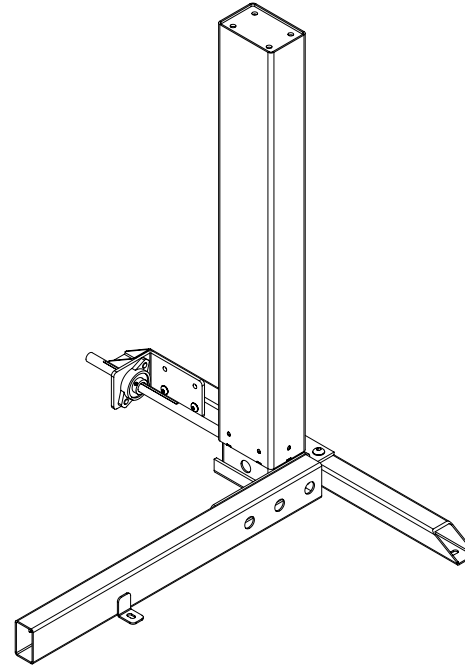
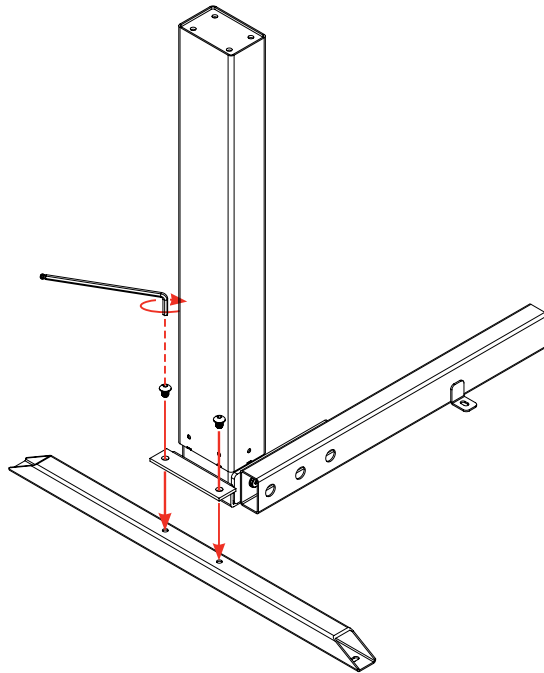
2 x Washer



## Step 2



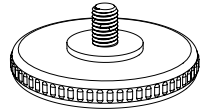
4 x M8x10



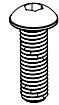
# Agile Desk - Winder Single Sided

## Assembly Instructions

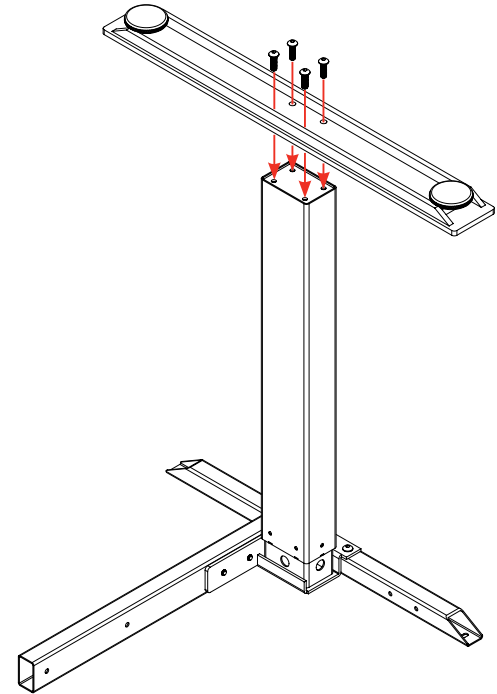
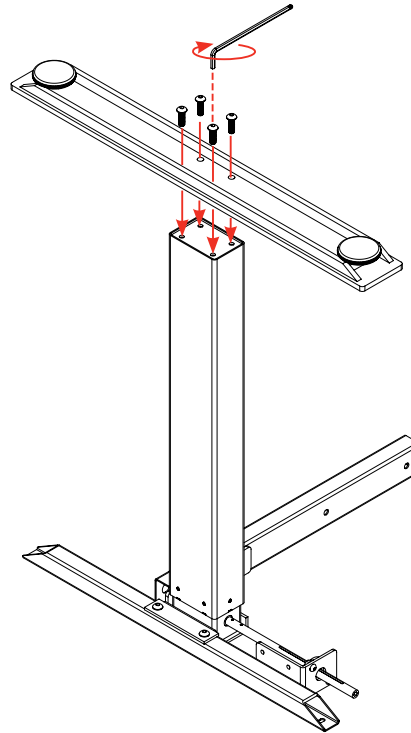
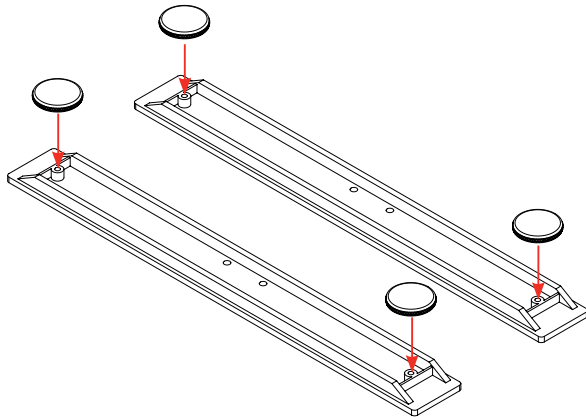
### Step 3



4 x Levelling Foot



8 x M8x25

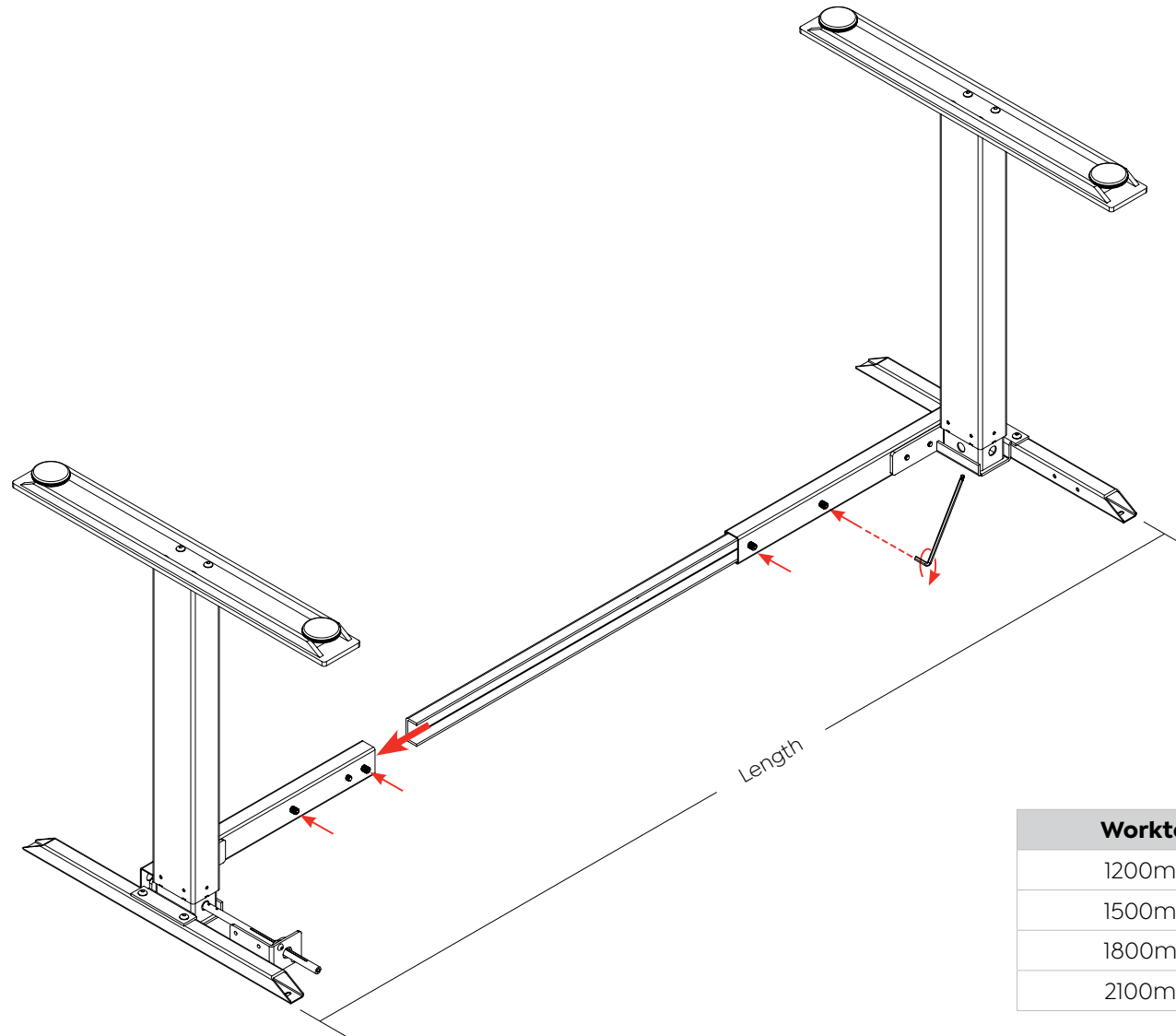


**IMPORTANT!**  
REFER TO PAGE 16 FOR INSTALL  
OF SCREEN

# Agile Desk - Winder Single Sided

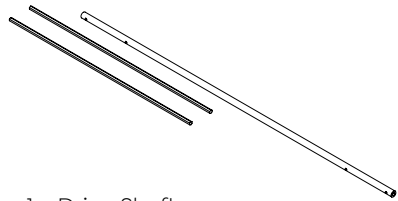
## Assembly Instructions

### Step 4

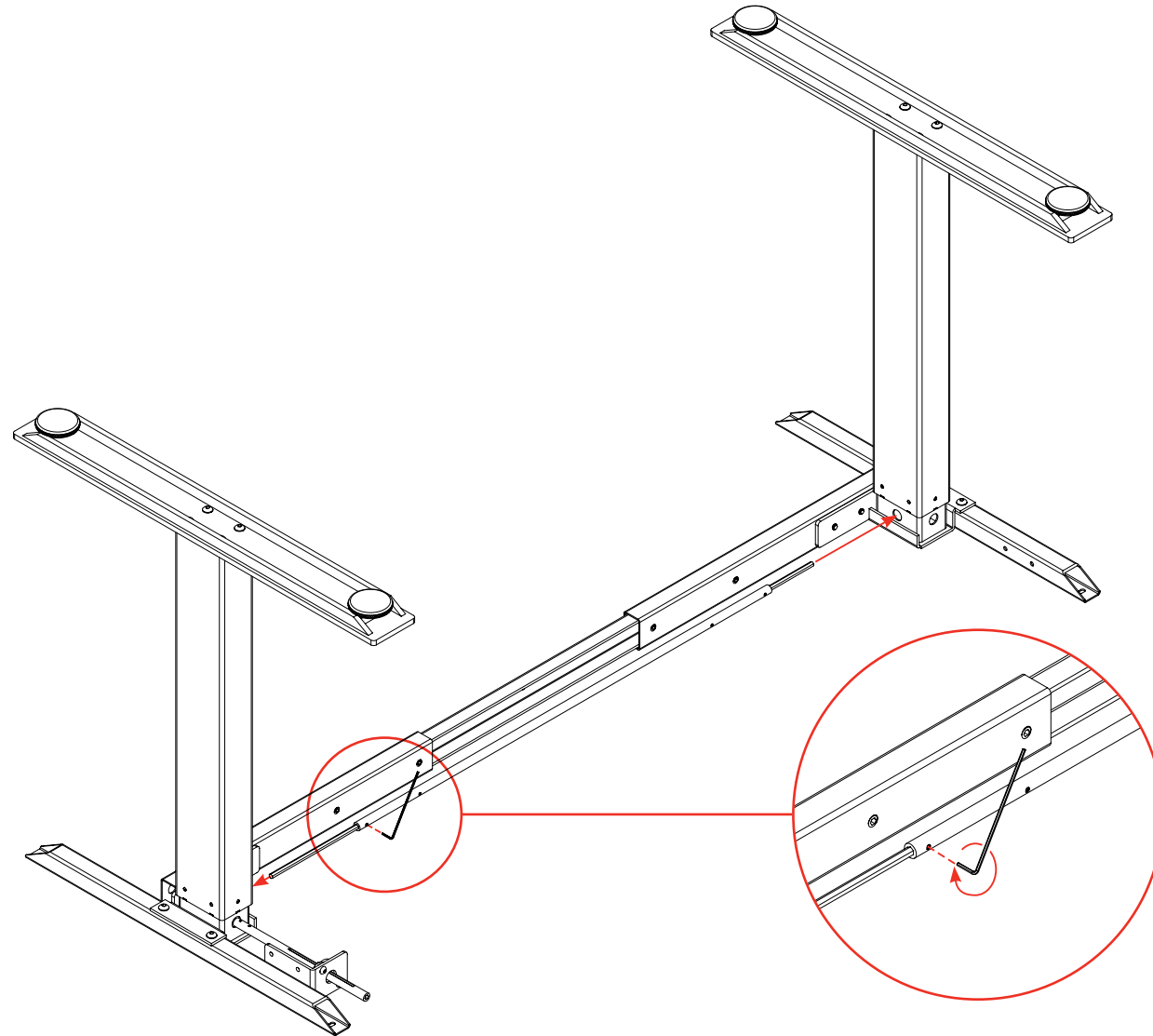


Worktop	Length
1200mm	1125mm
1500mm	1425mm
1800mm	1725mm
2100mm	2025mm

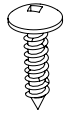
## Step 5



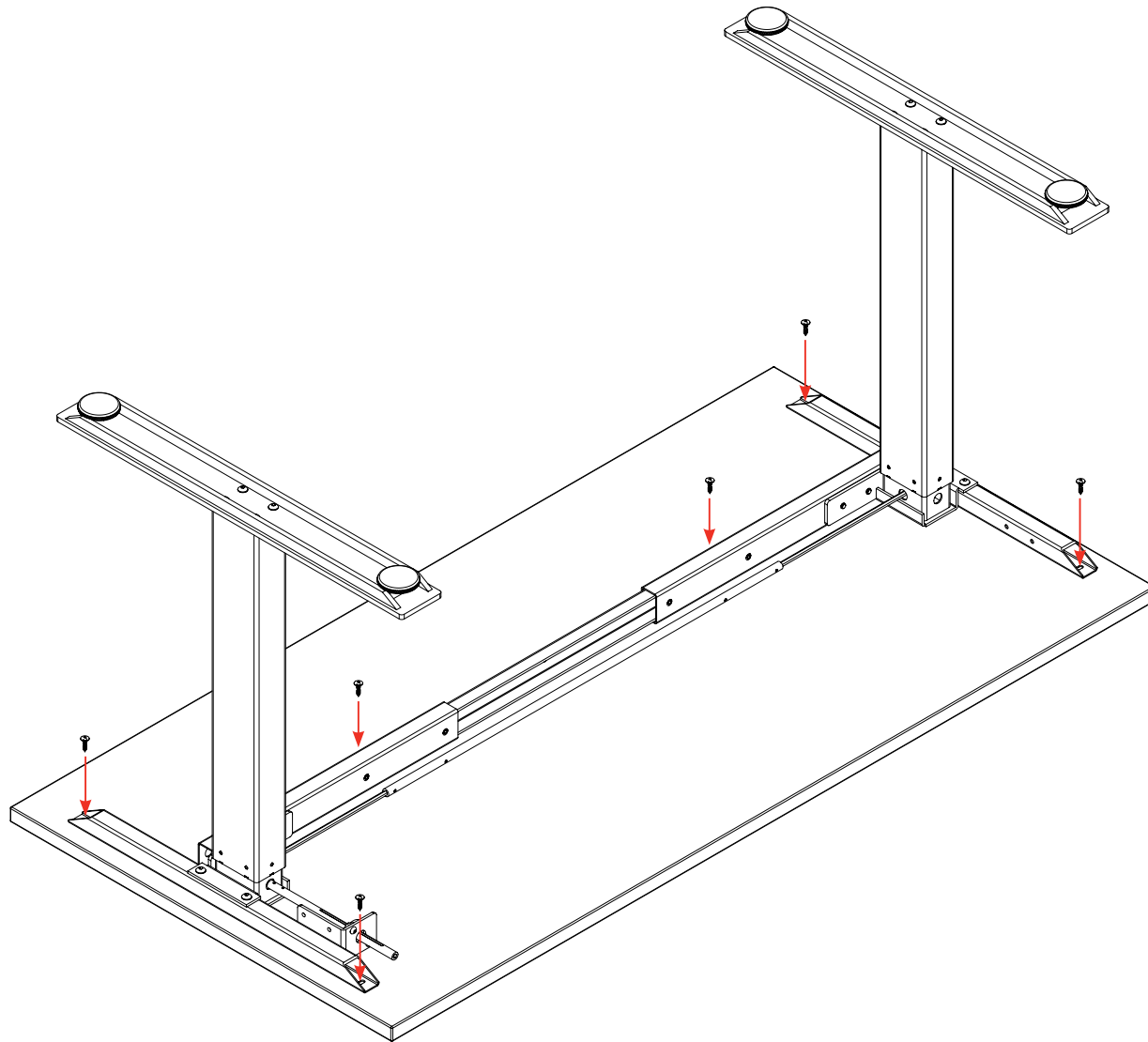
1 x Drive Shaft



### Step 6



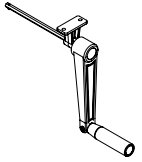
6 x ST5.0x23



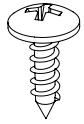
# Agile Desk - Winder Single Sided

## Assembly Instructions

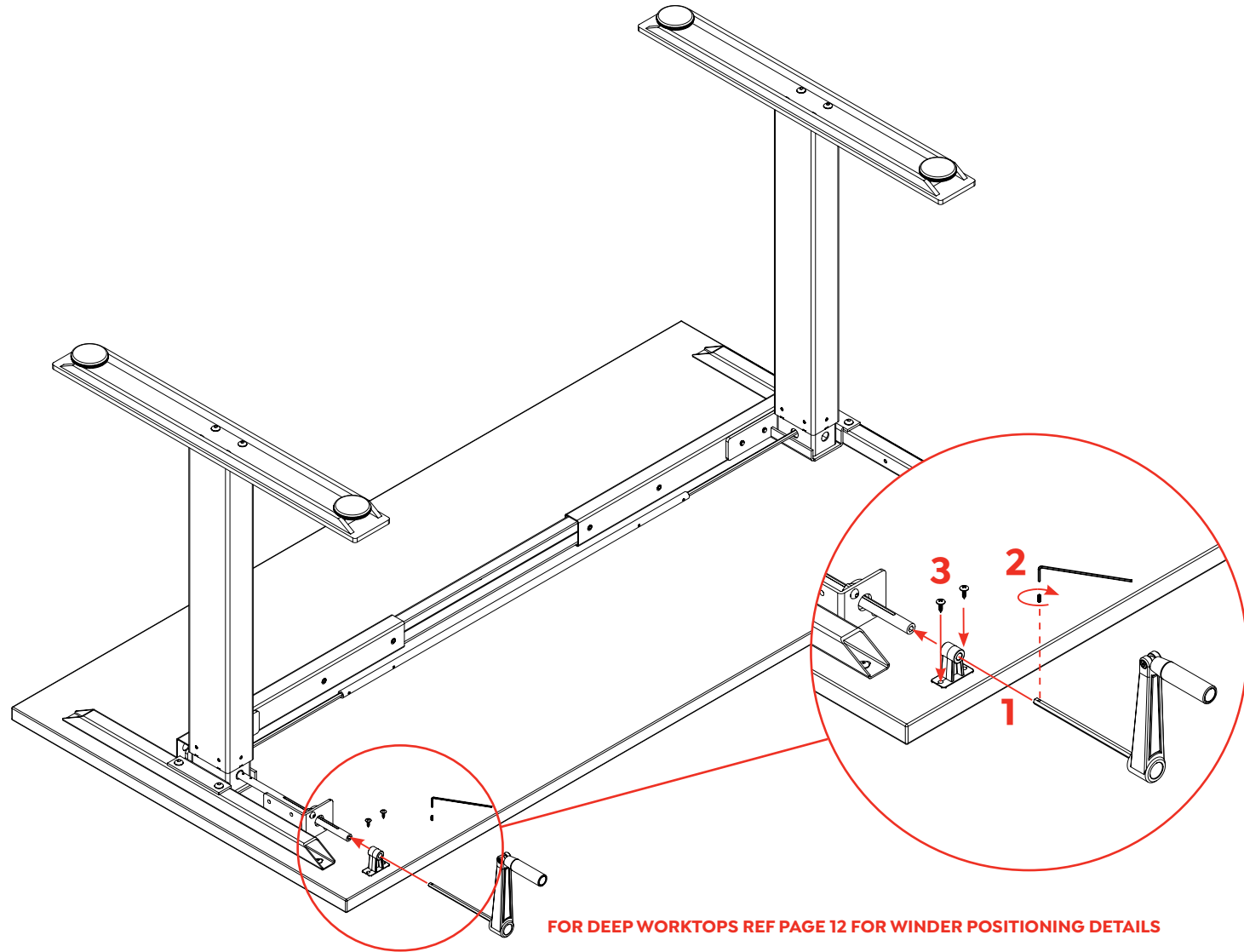
### Step 7



1 x Winder

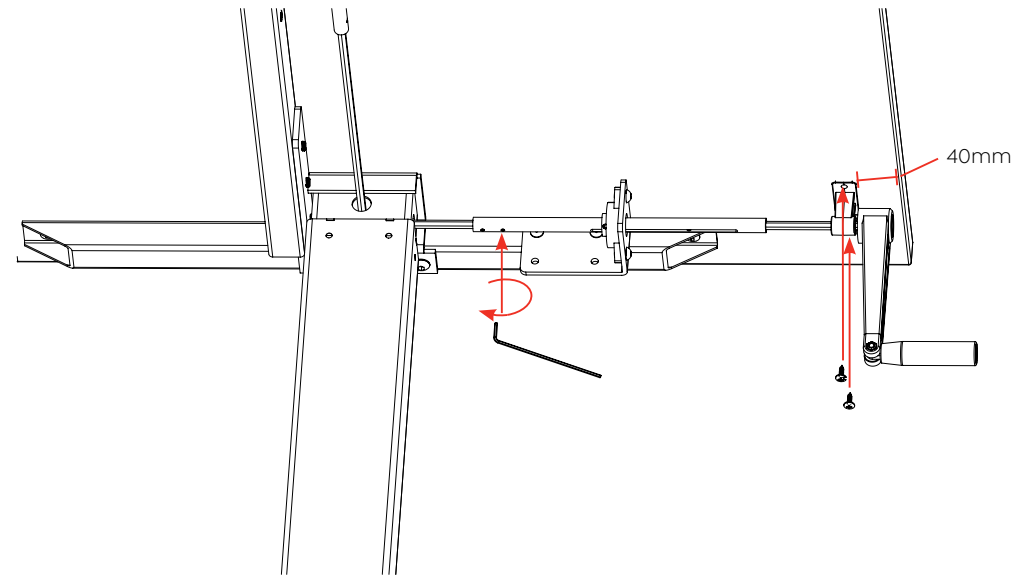
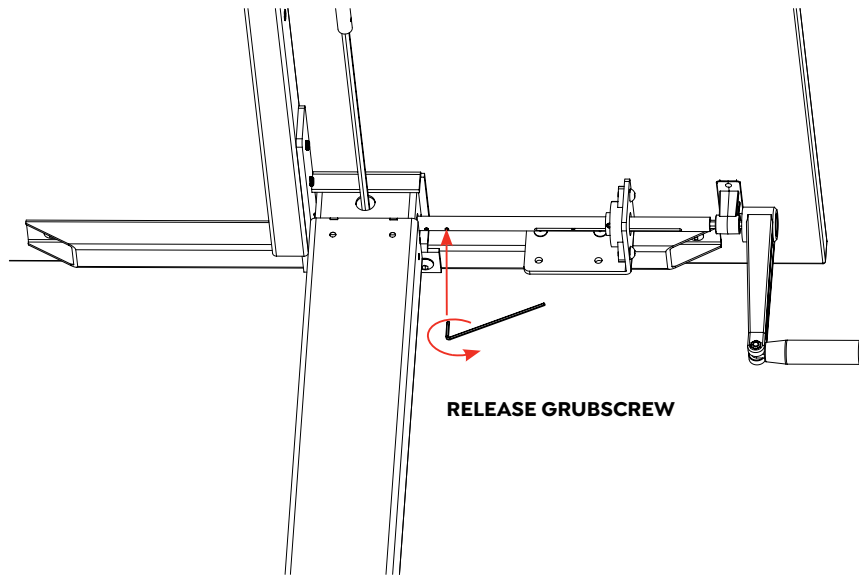


2 x ST3.9x12



FOR DEEP WORKTOPS REF PAGE 12 FOR WINDER POSITIONING DETAILS

## Positioning of Winder Handle

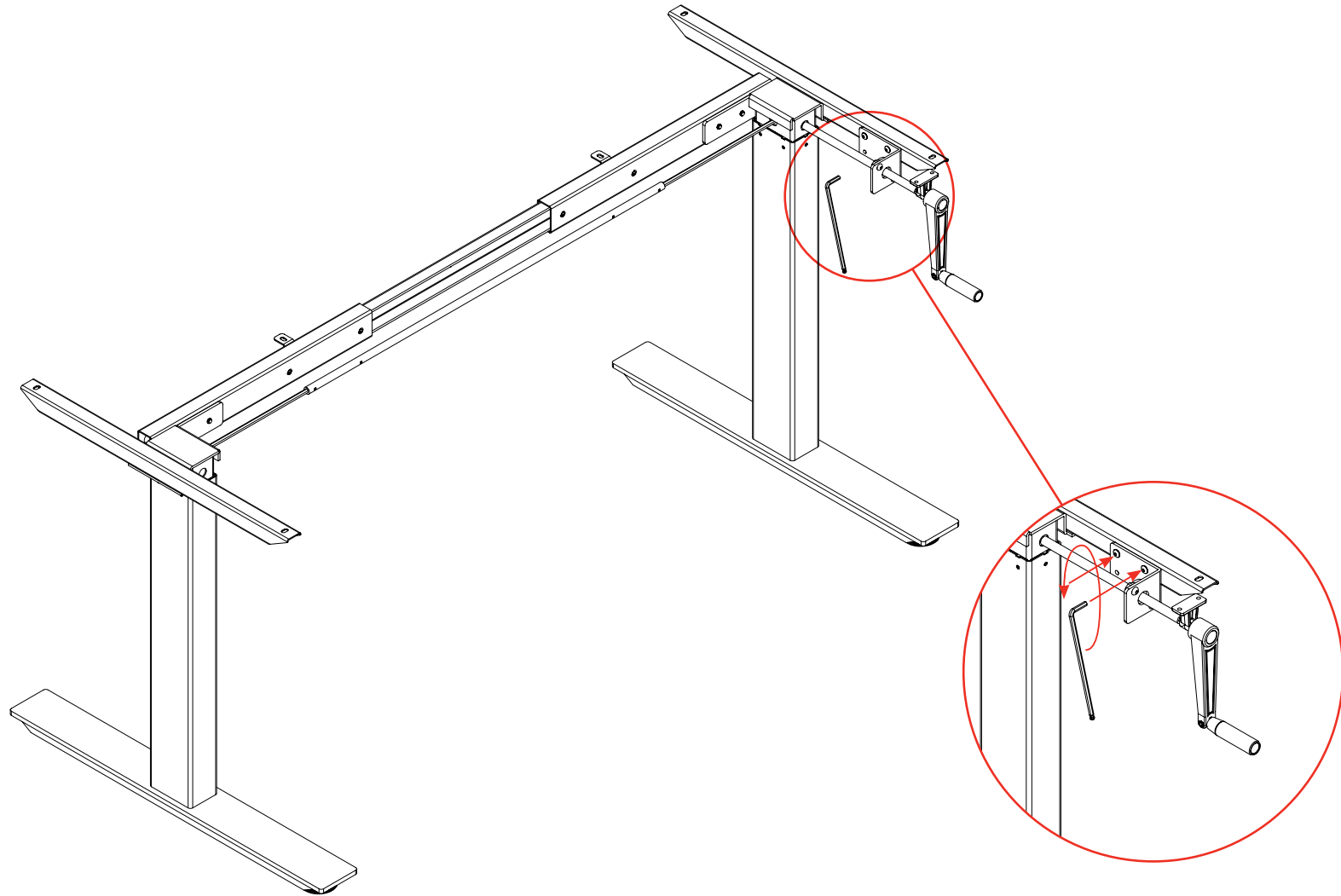




# Agile Desk - Winder Handle from Right to Left Operation

## Assembly Instructions

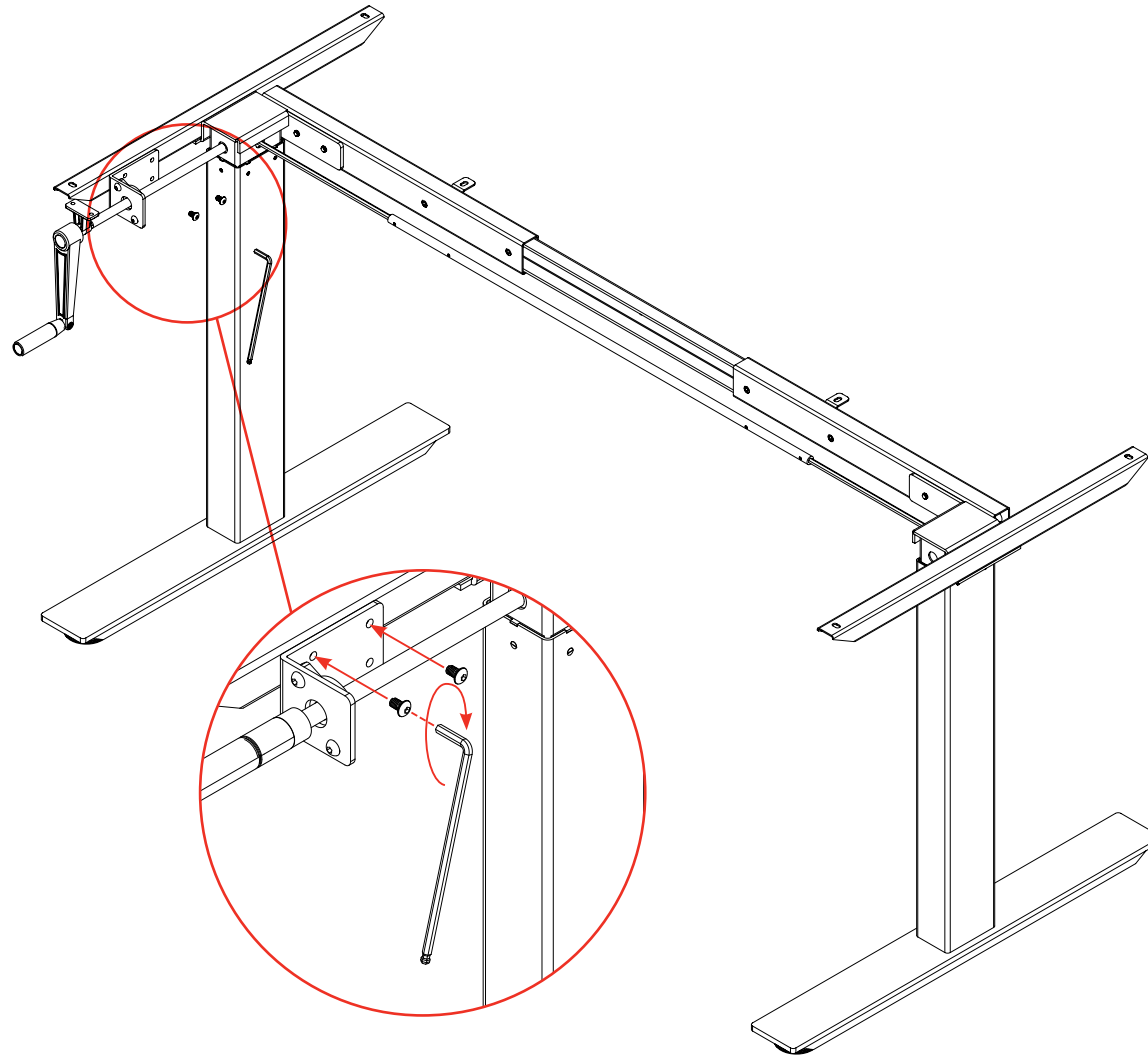
### Step 1



# Agile Desk - Winder Handle from Right to Left Operation

## Assembly Instructions

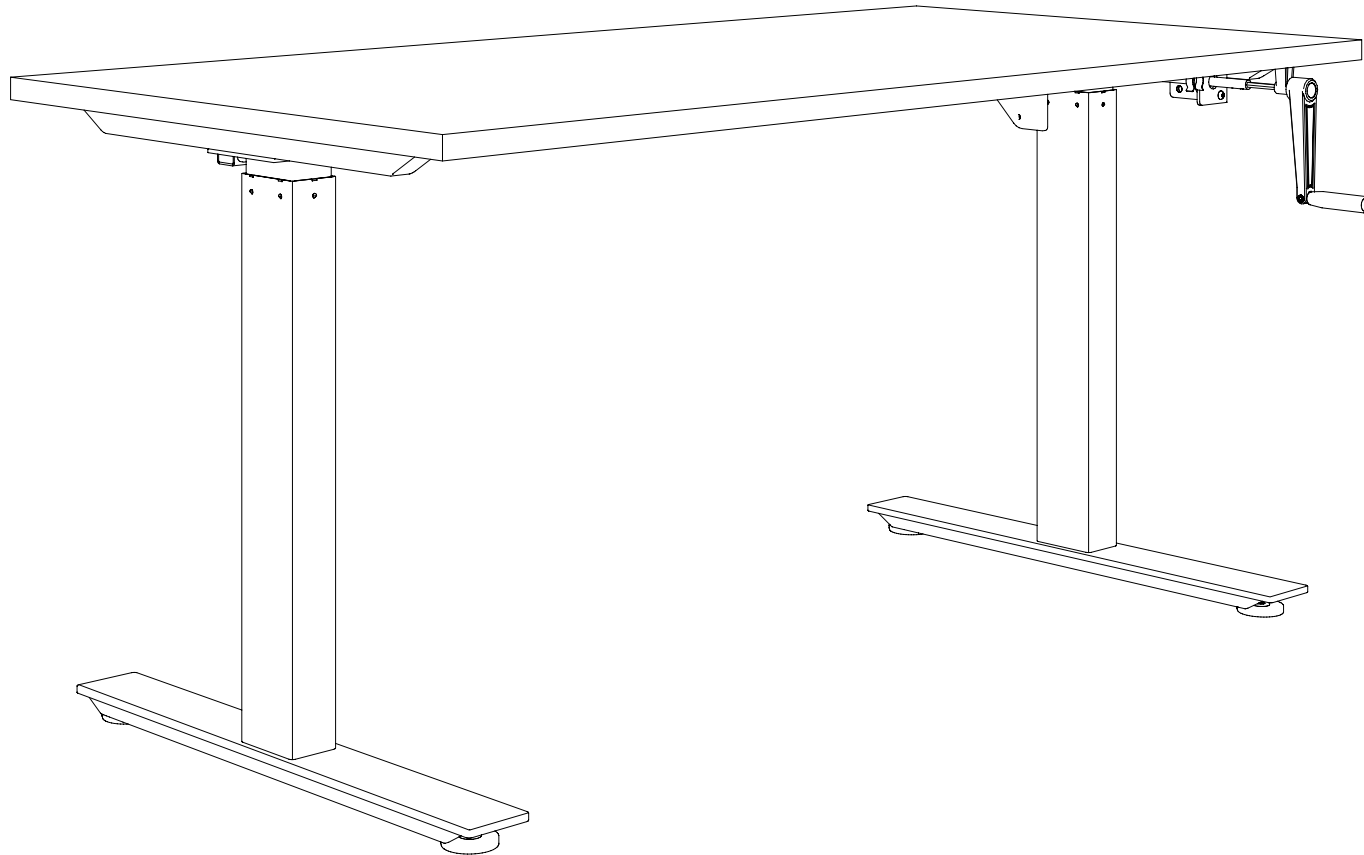
### Step 2



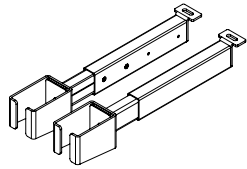
# Agile Desk - Winder Single Sided

## Assembly Instructions

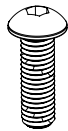
### Completed



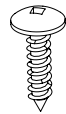
### Parts



SSD Screen Brackets  
L/R Pair



2 x M8x25



4 x ST5.0x23

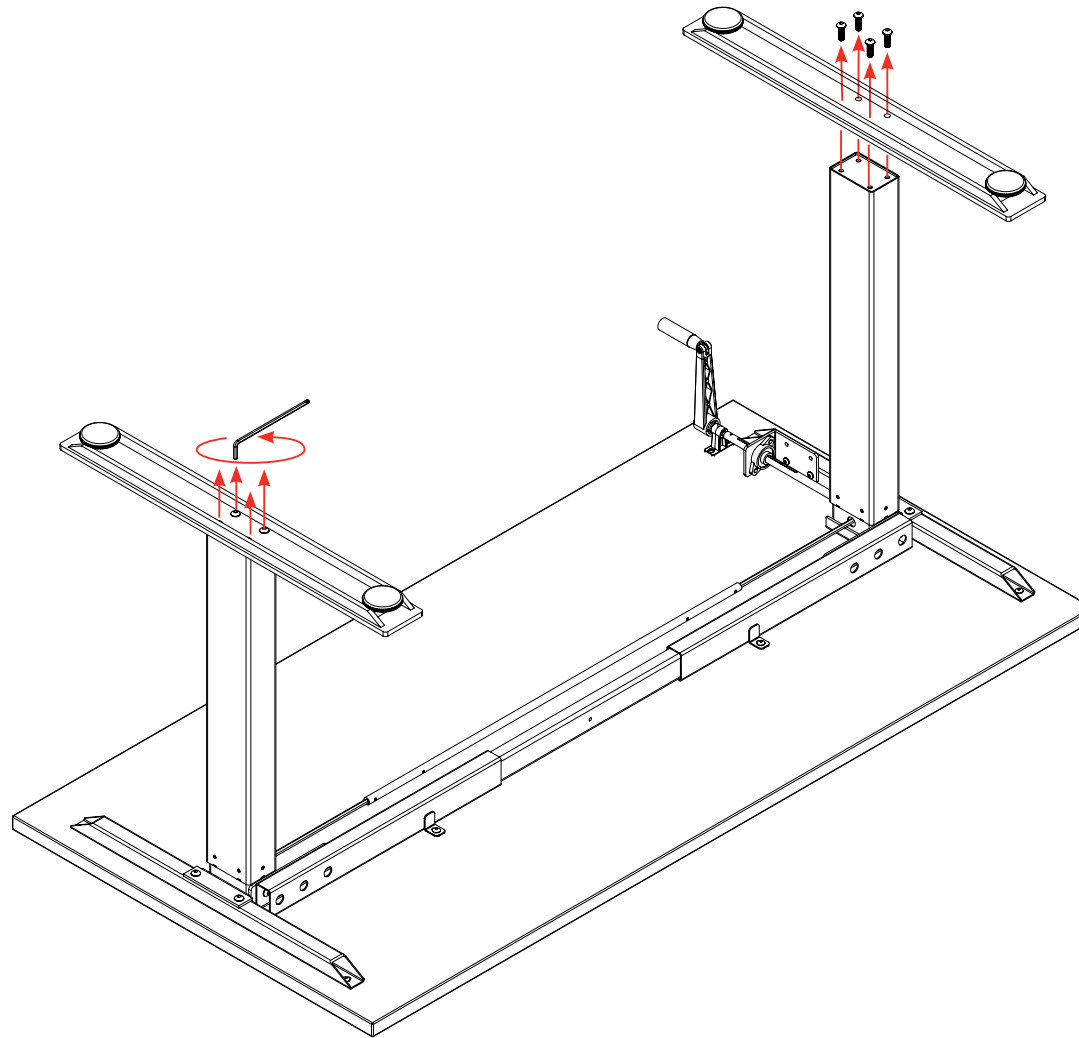


2 x Stabilizing Bracket

# Agile Desk - Winder Single Sided with Hung Screen

## Assembly Instructions

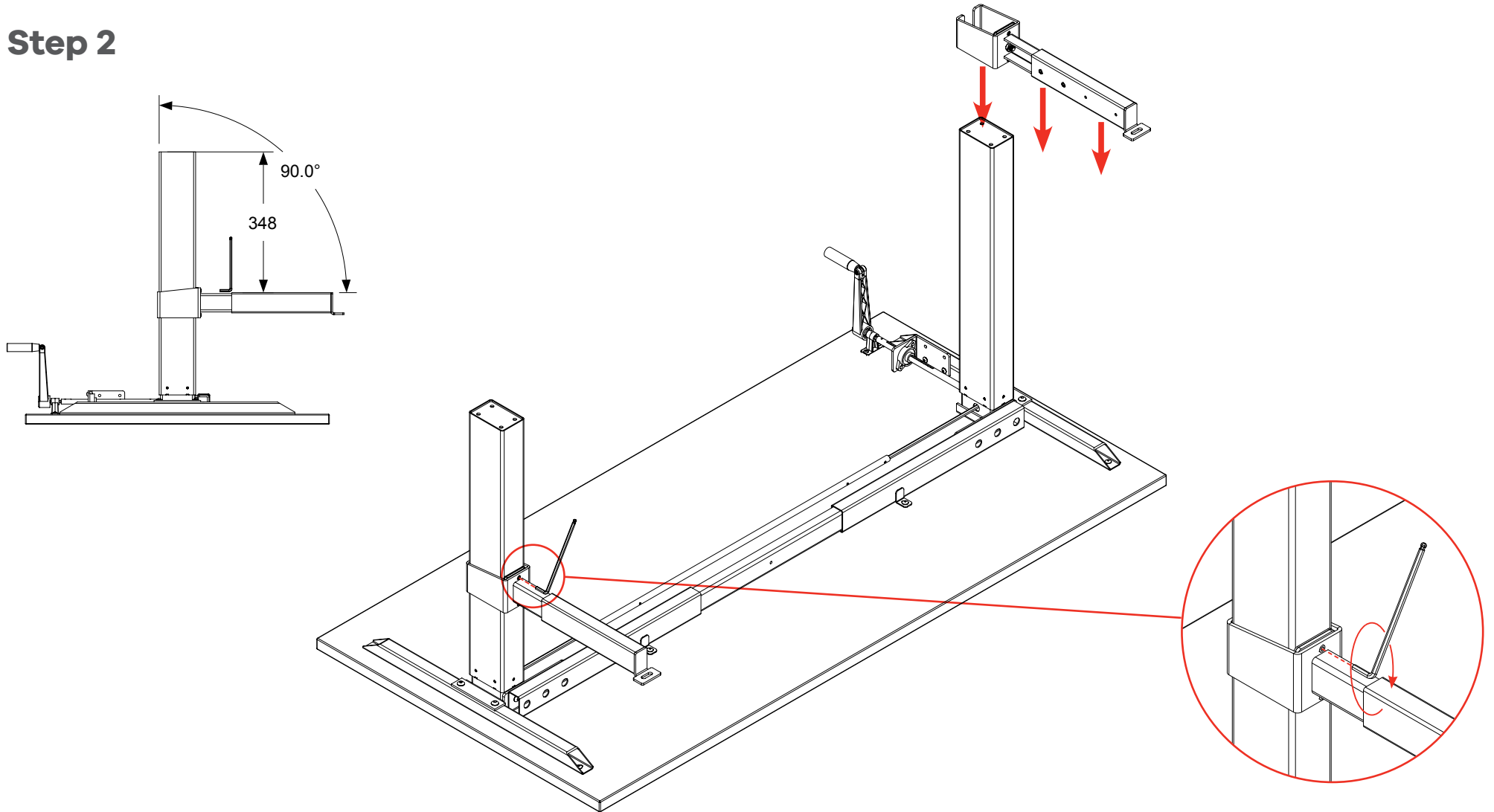
### Step 1



# Agile Desk - Winder Single Sided with Hung Screen

## Assembly Instructions

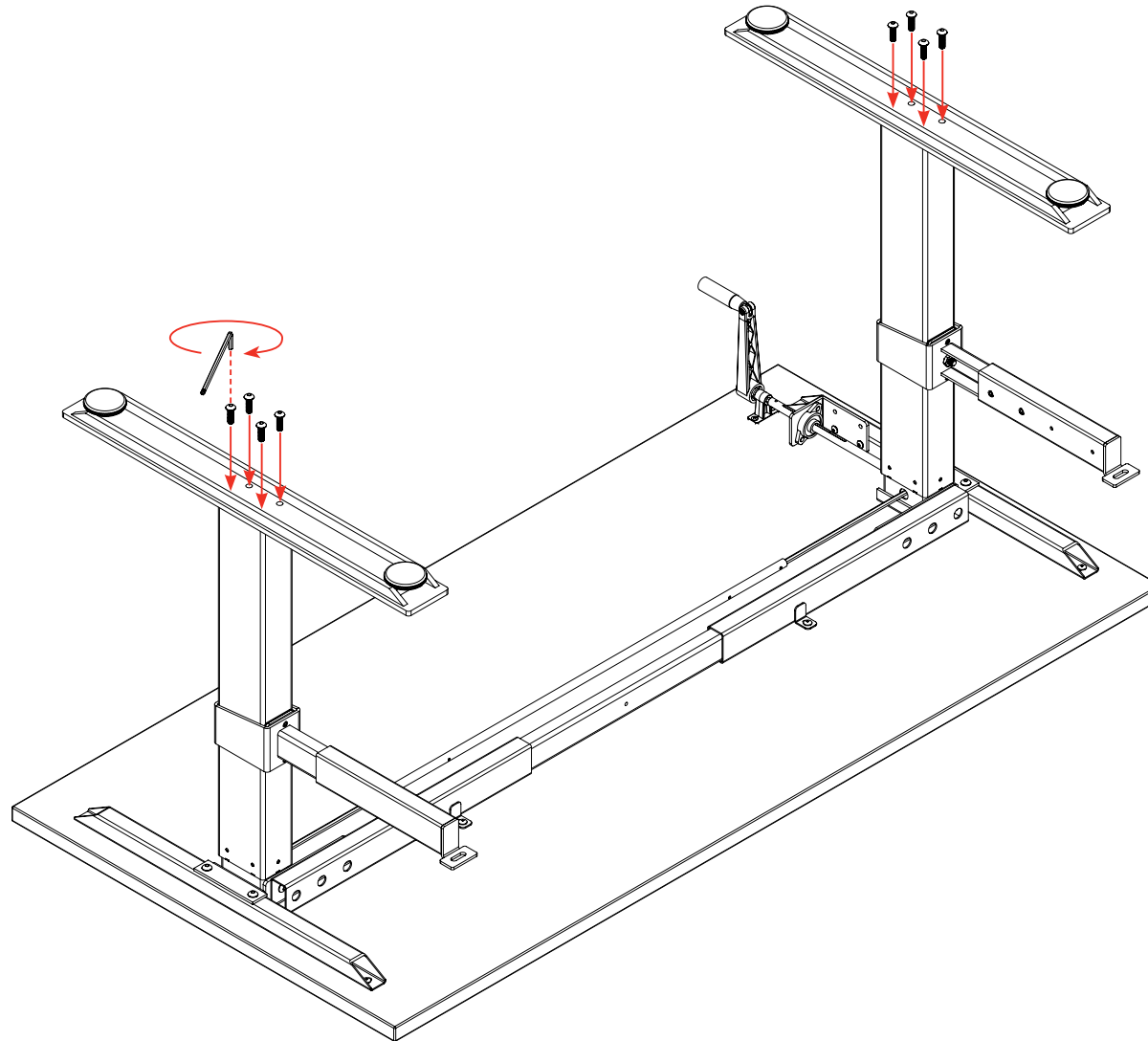
### Step 2



# Agile Desk - Winder Single Sided with Hung Screen

## Assembly Instructions

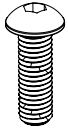
### Step 3



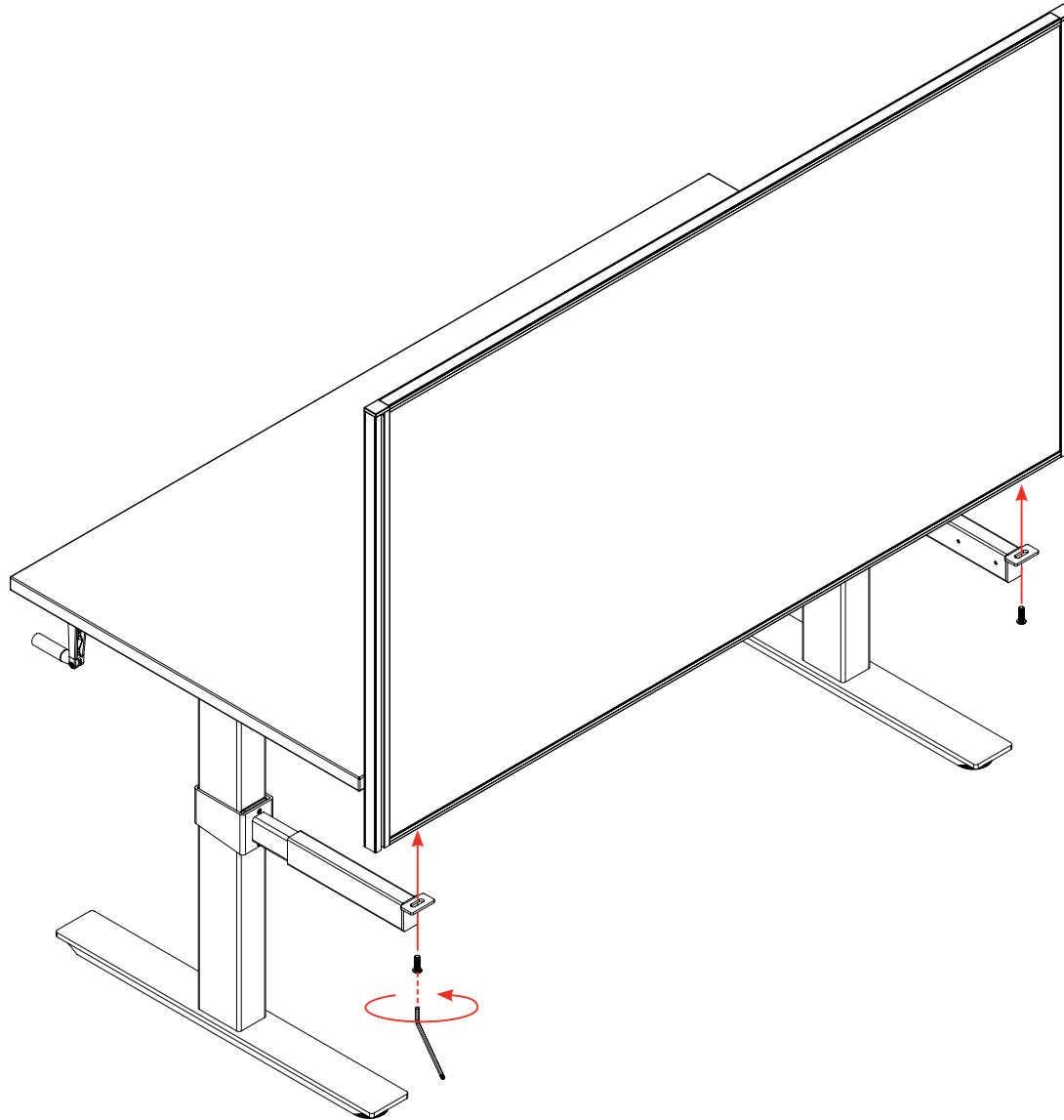
# Agile Desk - Winder Single Sided with Hung Screen

## Assembly Instructions

### Step 4



2 x M8x25

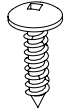




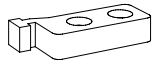
# Agile Desk - Winder Single Sided with Hung Screen

## Assembly Instructions

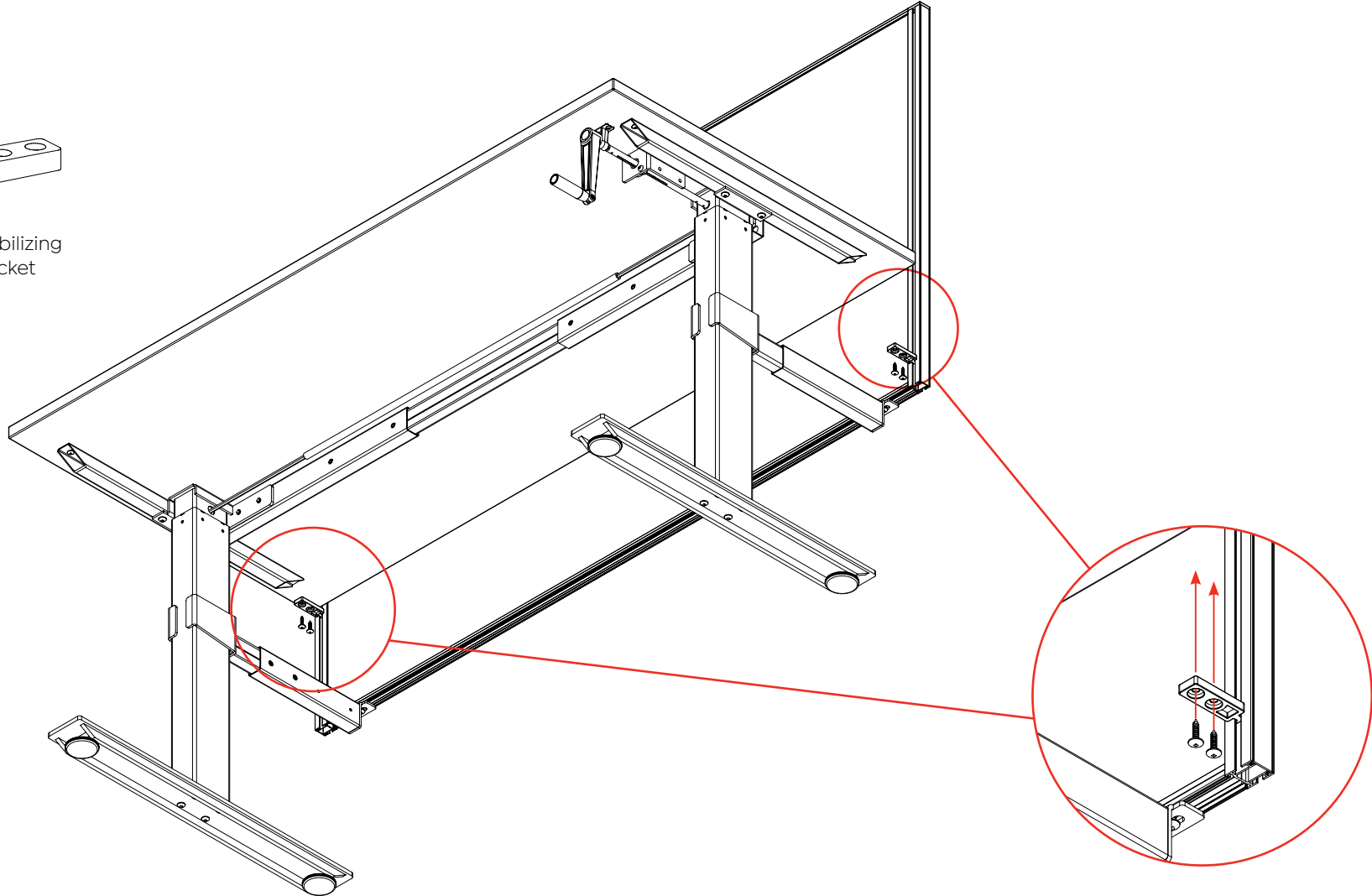
### Step 5



4 x ST5.0x23



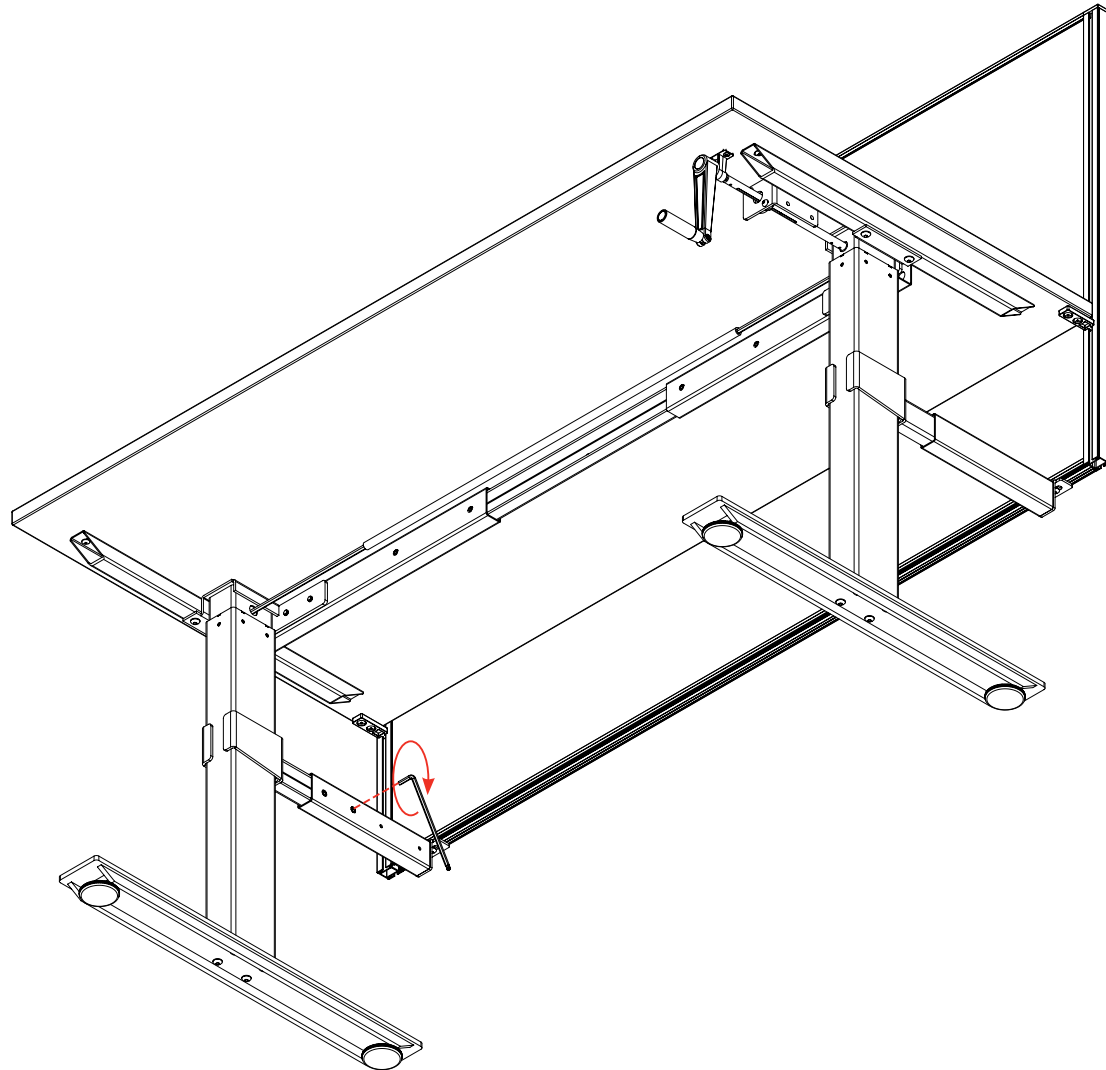
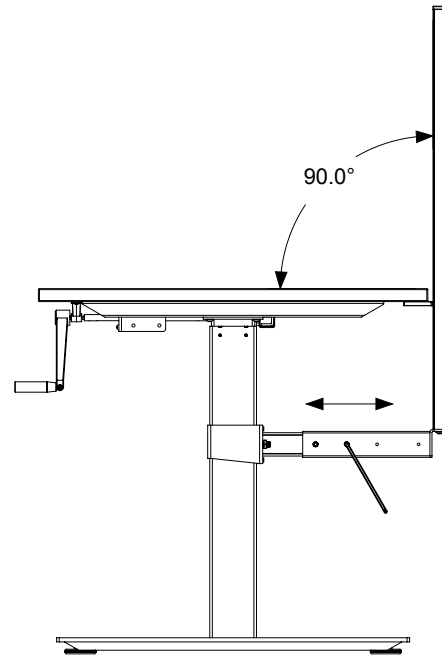
2 x Stabilizing  
Bracket



# Agile Desk - Winder Single Sided with Hung Screen

## Assembly Instructions

### Step 6

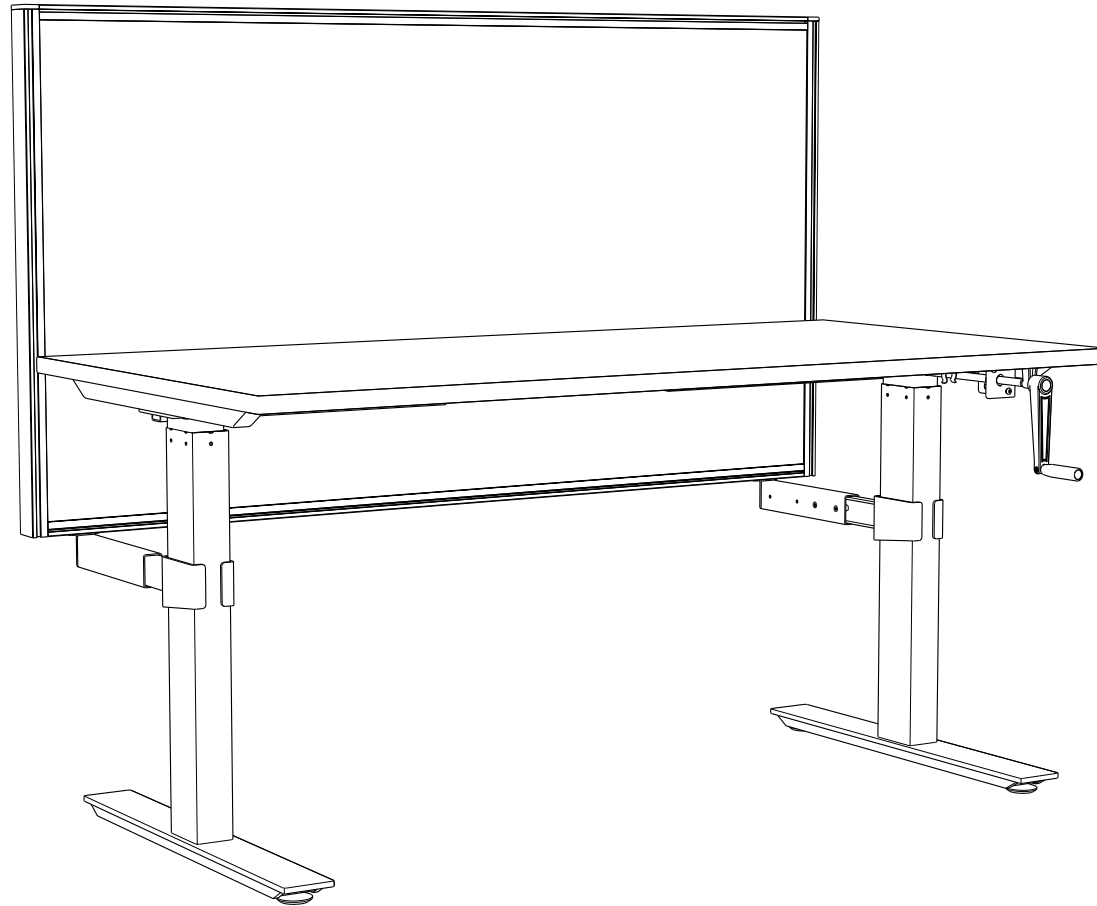


# Agile Desk - Winder Single Sided with Hung Screen

## Assembly Instructions

---

### Completed



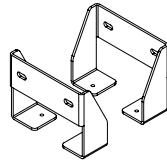
### Parts



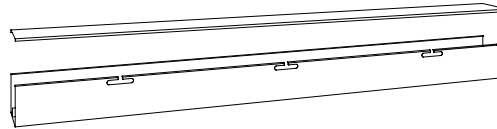
4 x M6x10



4 x M5x6



2 x SSD Tray Mounts



1 x SSD Tray

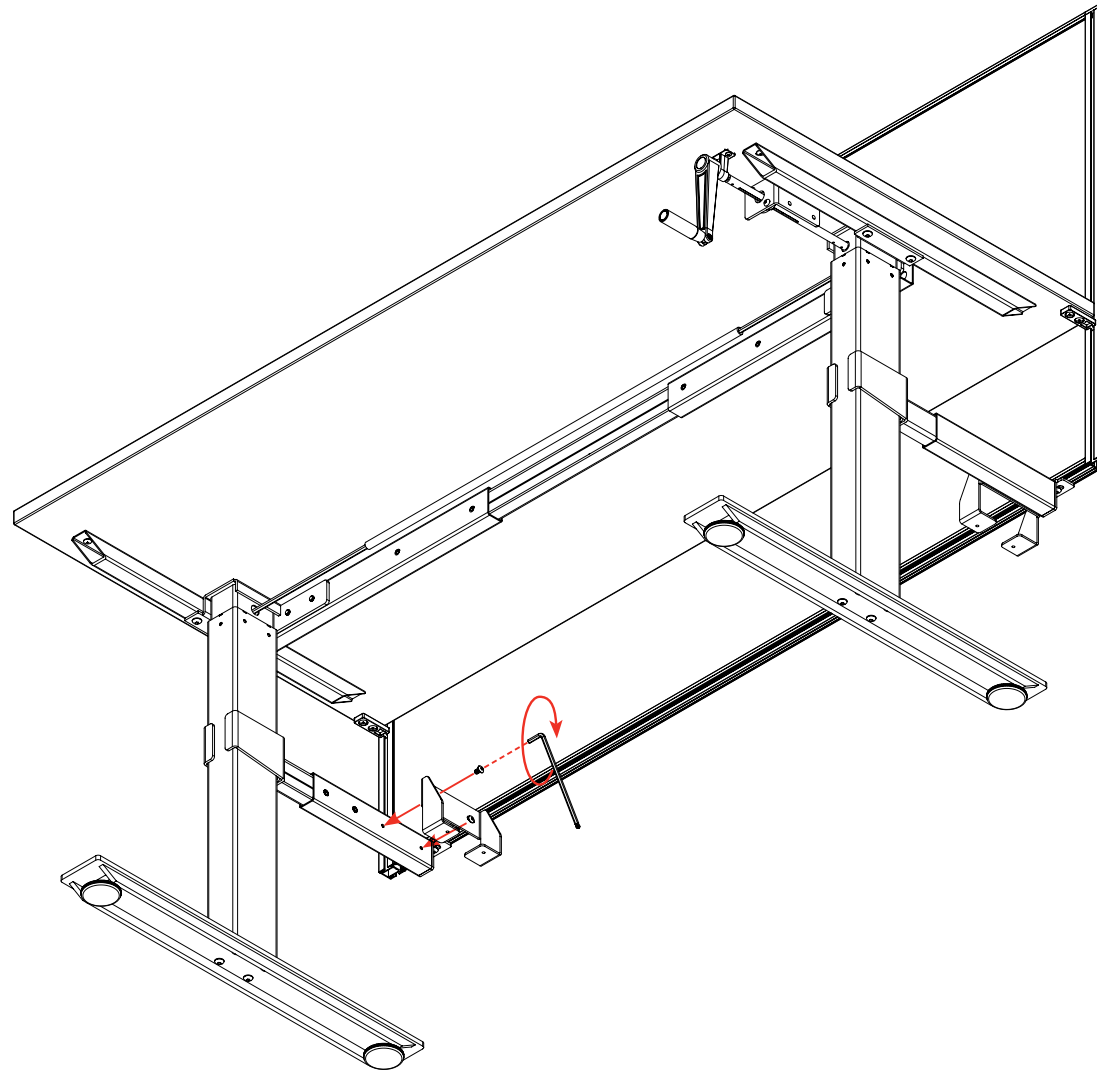
# Agile Desk - Winder Single Sided with Cable Tray

## Assembly Instructions

### Step 1



4 x M6x10



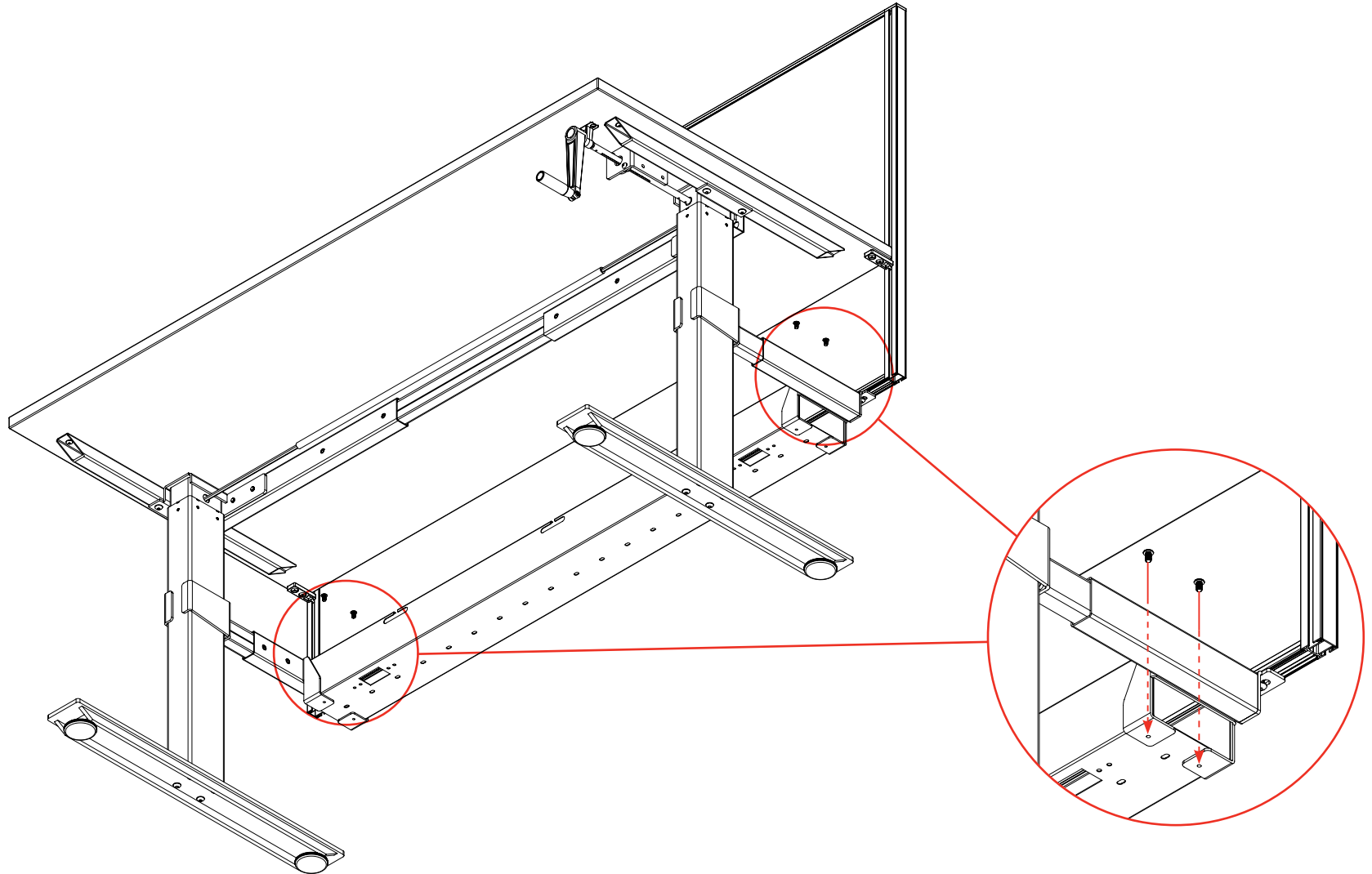
# Agile Desk - Winder Single Sided with Cable Tray

## Assembly Instructions

### Step 2

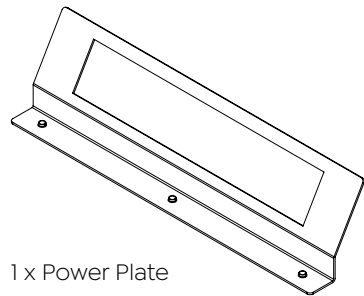


4 x M5x6

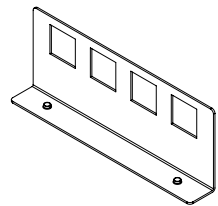


## Assembly Instructions

### Step 1 - Power & Data Plate



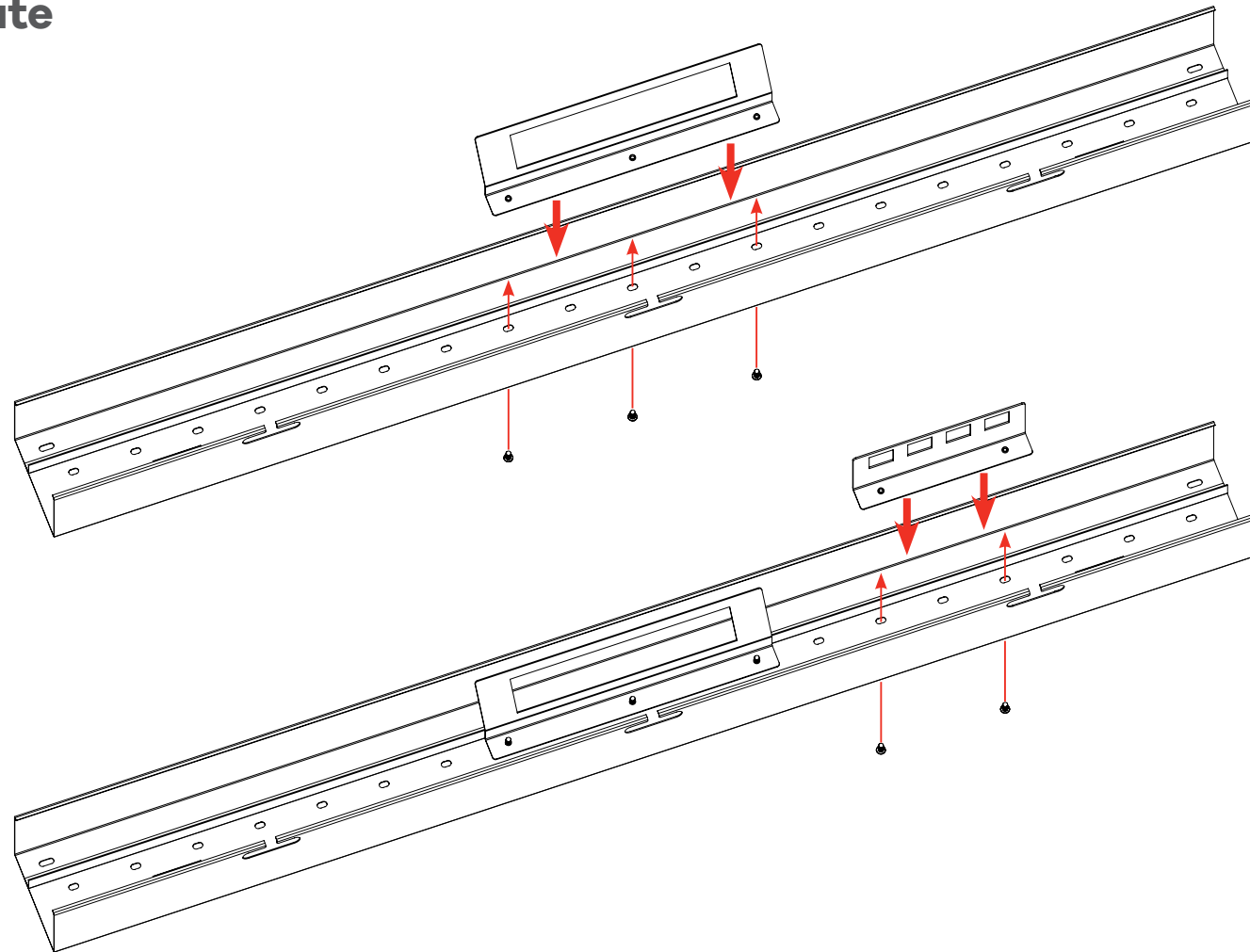
1 x Power Plate



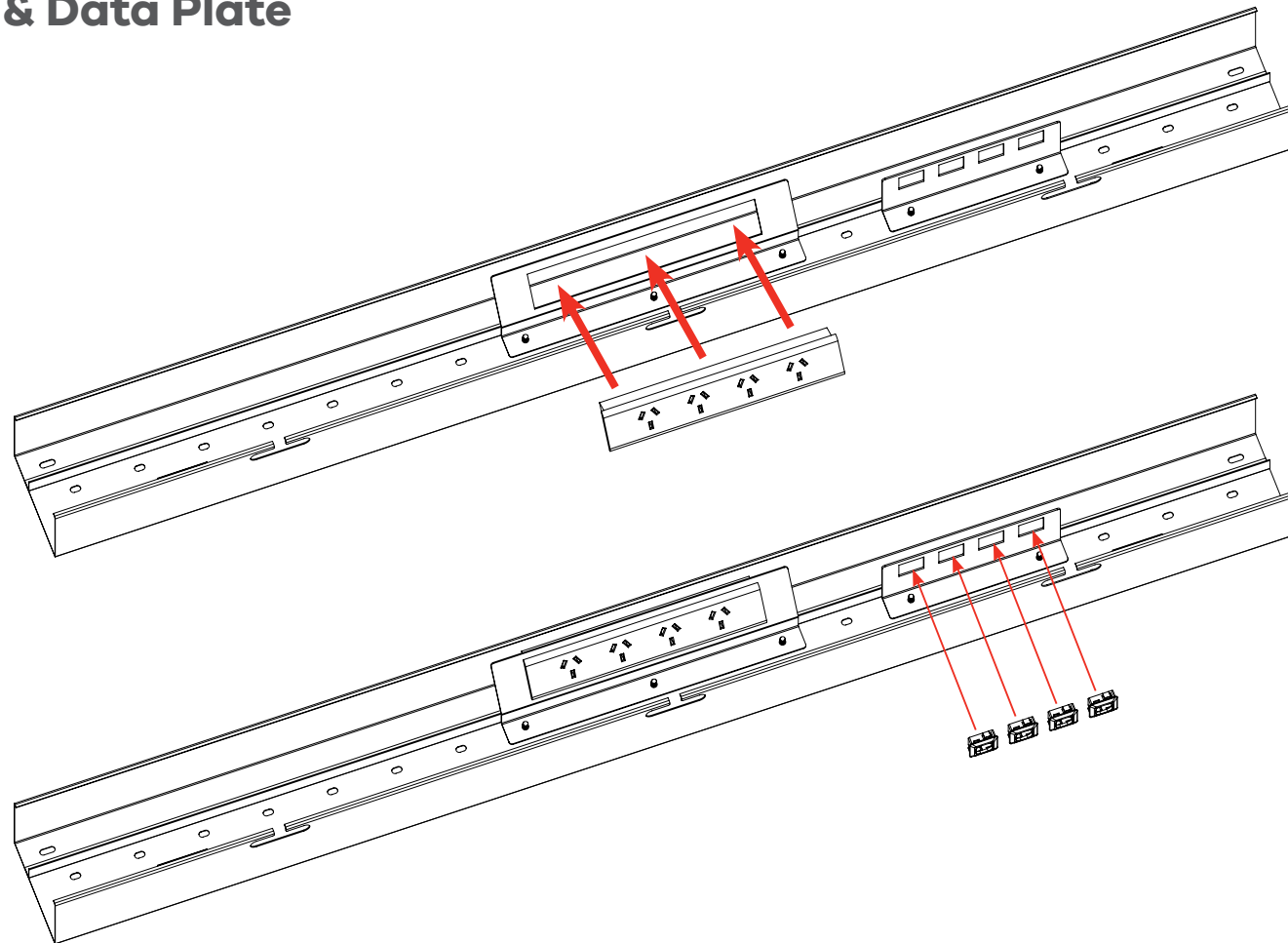
1 x Data Plate



5 x Screws



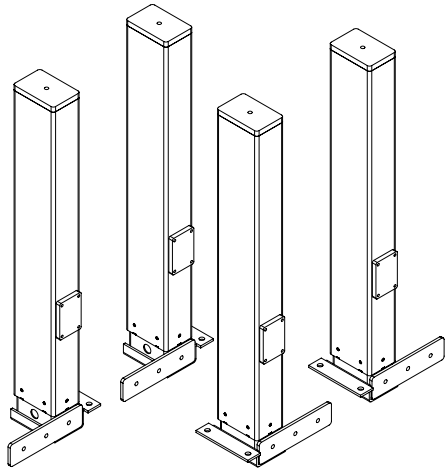
## Step 2 - Power & Data Plate



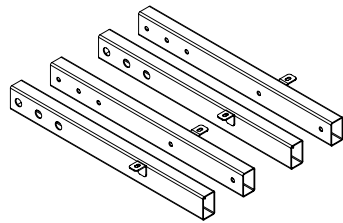


## Assembly Instructions

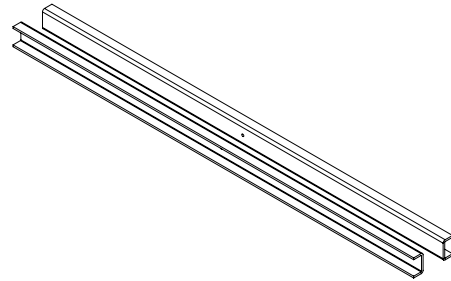
### Parts



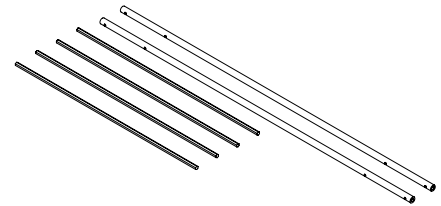
2 x L&R Leg Pair



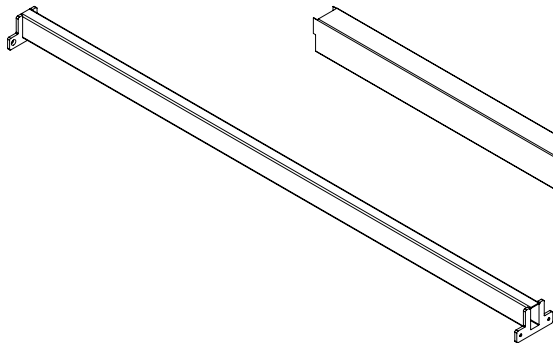
2 x L&R Leg Rail Pair



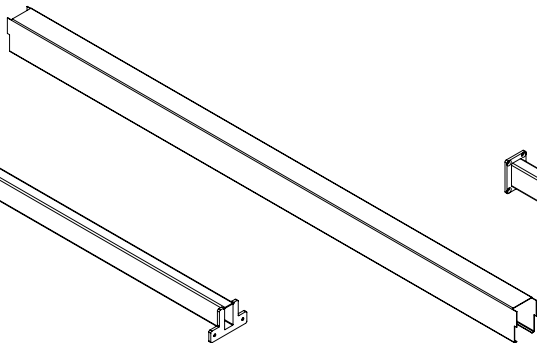
2 x Cross Rail



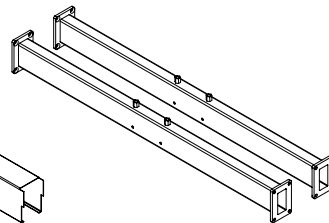
2 x Drive Shaft



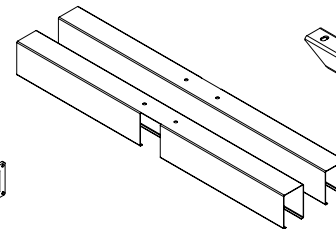
1 x Cross Beam



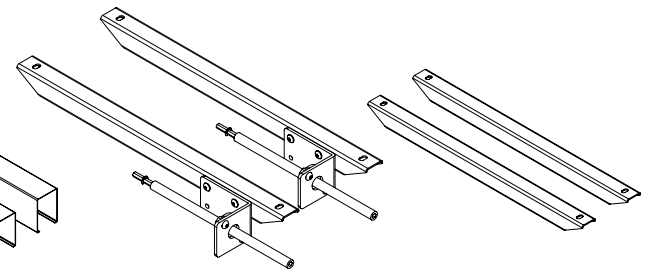
1 x Cross Beam Cover



2 x Leg Beam

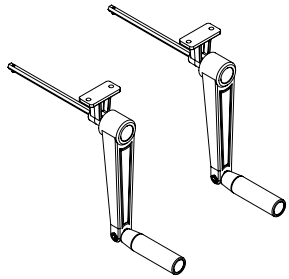


2 x Leg Beam Cover

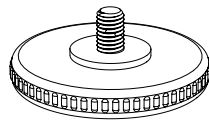


2 x L&R Support Bar Pair

## Parts



2 x Winder



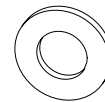
4 x Levelling Foot



16 x M8x10



4 x M8x10



4 x Washer



20 x M5x10

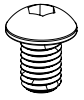


12 x ST5.0x23

# Agile Desk - Winder Double Sided

## Assembly Instructions

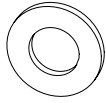
### Step 1



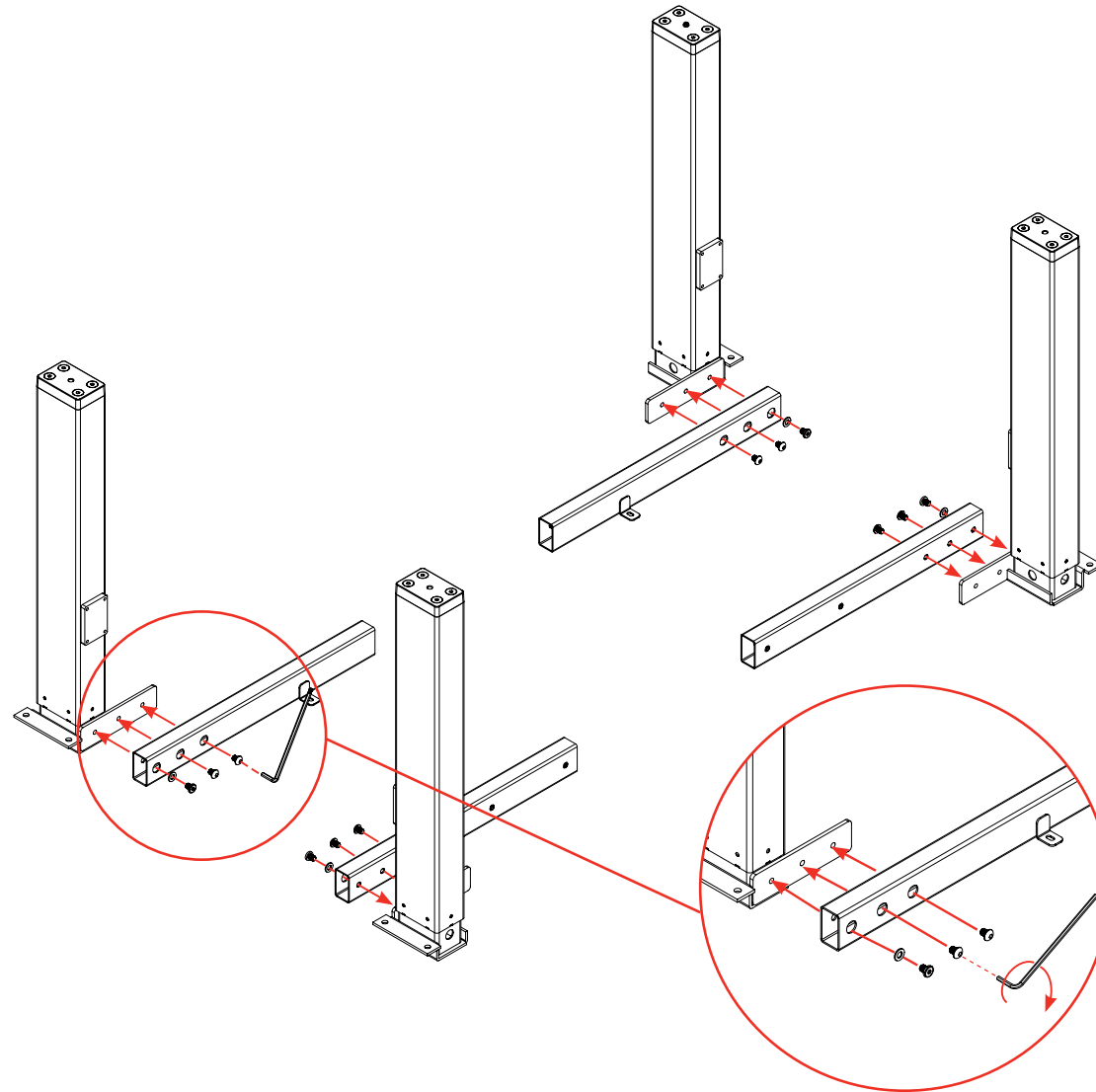
8 x M8x10



4 x M8x10



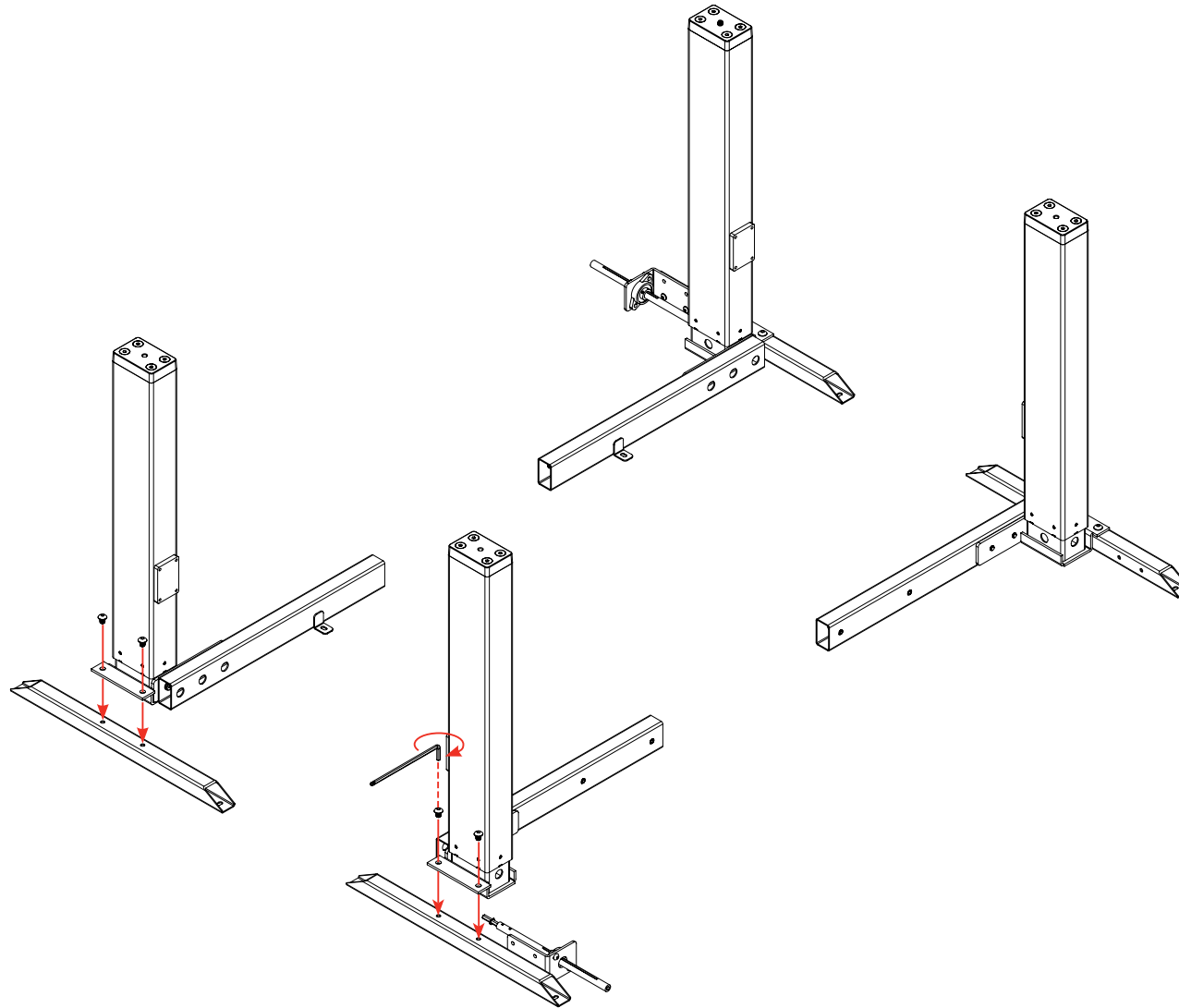
4 x Washer



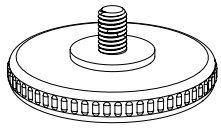
## Step 2



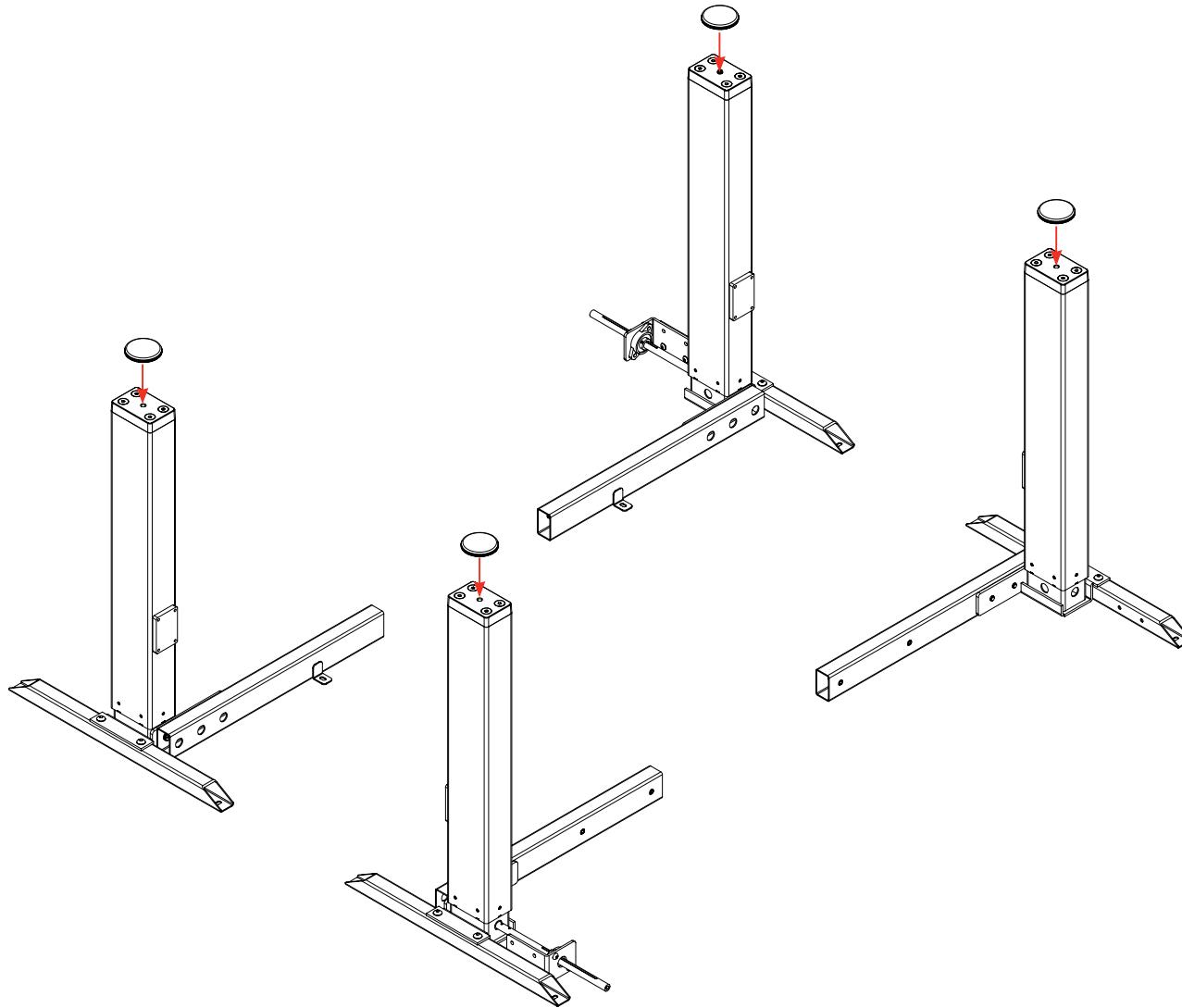
8 x M8x10



### Step 3



4 x Levelling Foot



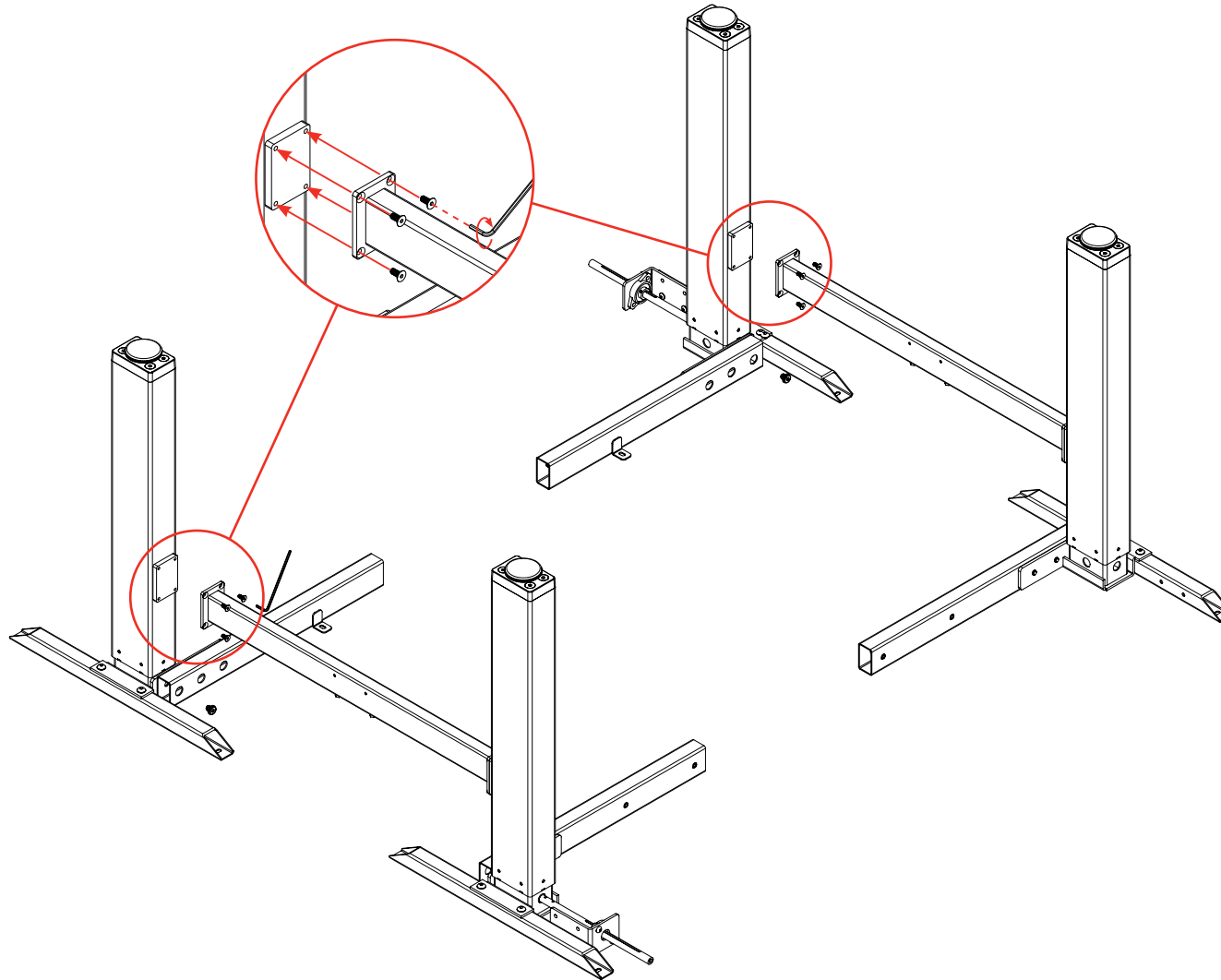
# Agile Desk - Winder Double Sided

## Assembly Instructions

### Step 4



16 x M5x10



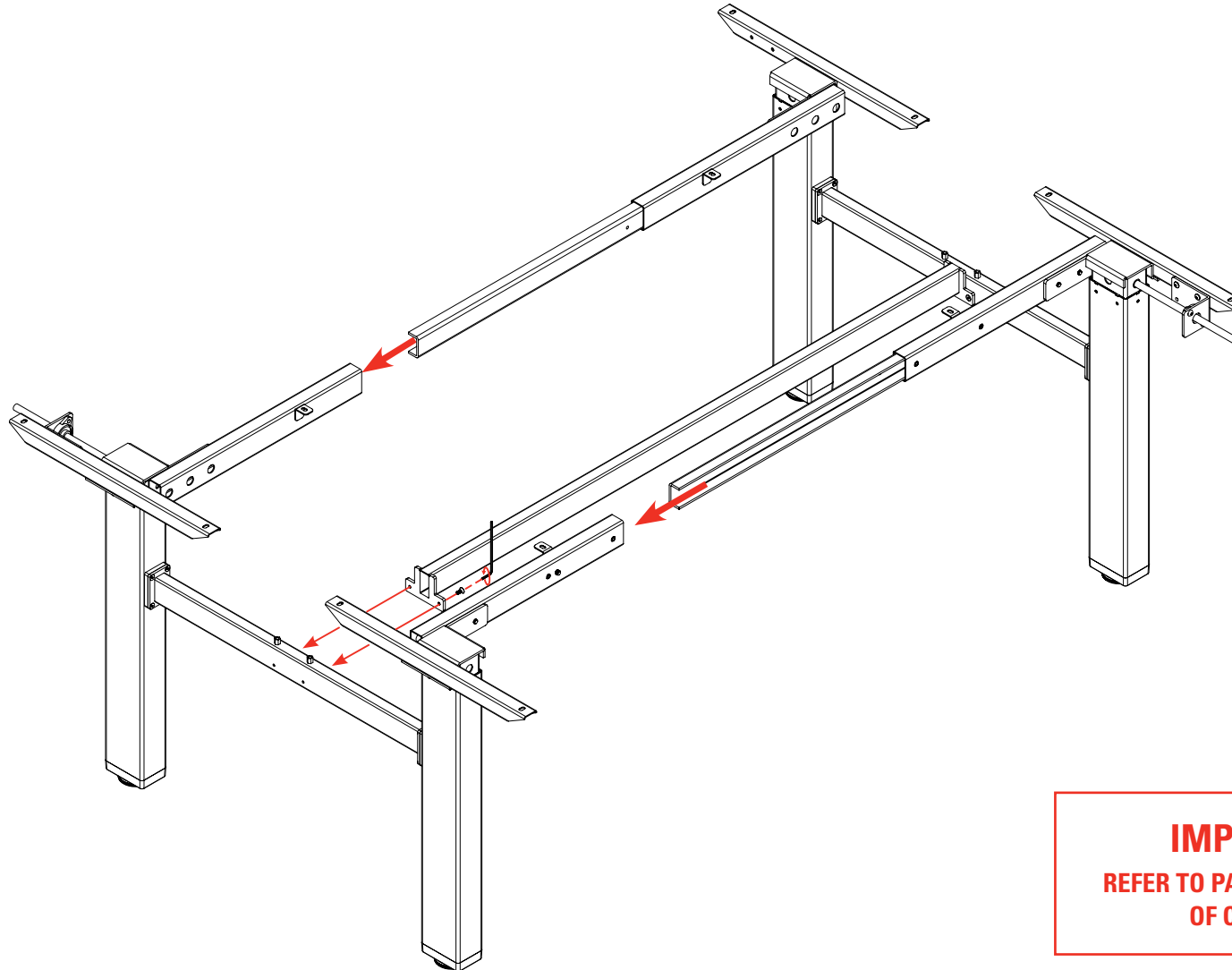
# Agile Desk - Winder Double Sided

## Assembly Instructions

### Step 5



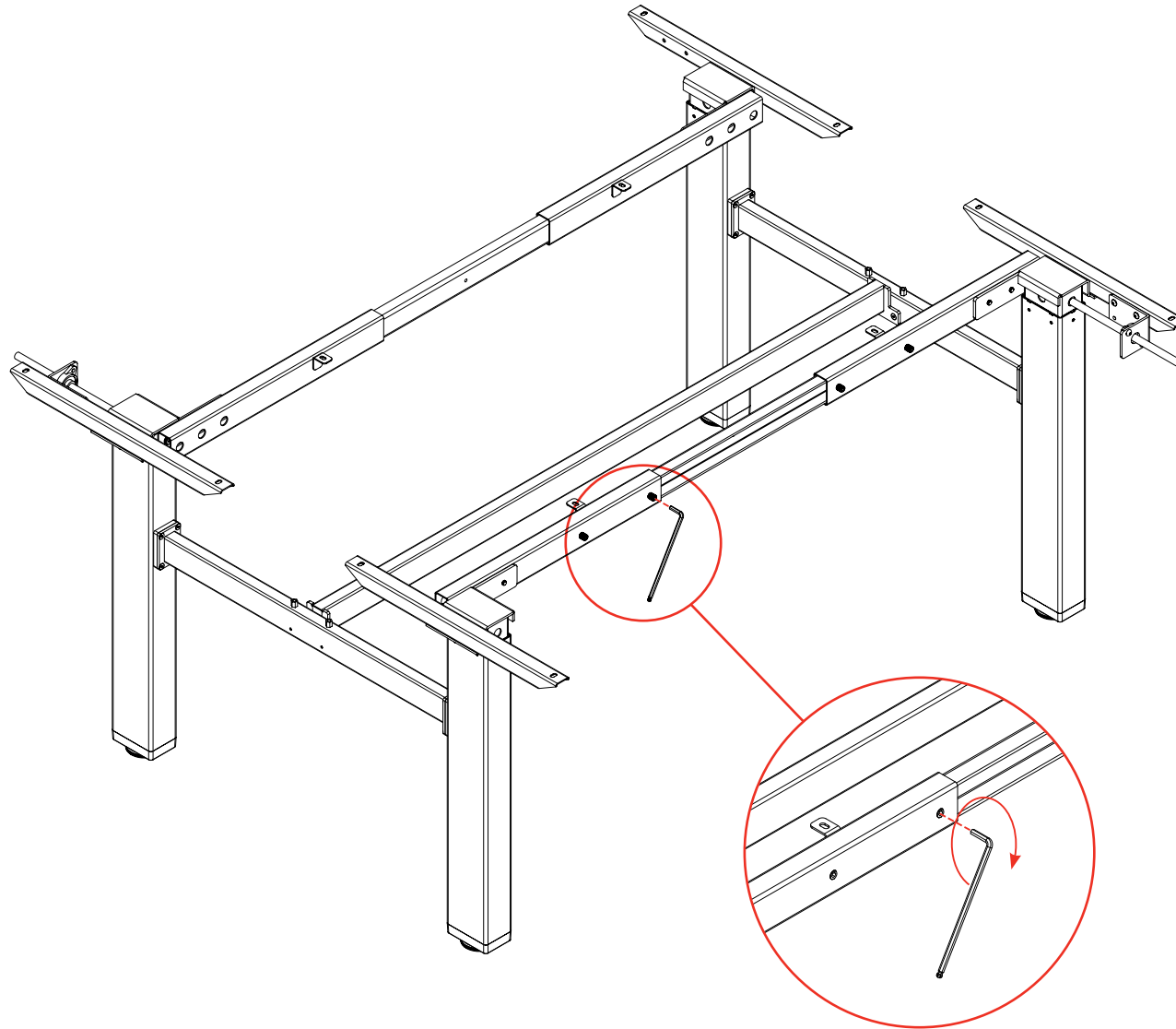
4 x M5x10



**IMPORTANT!**

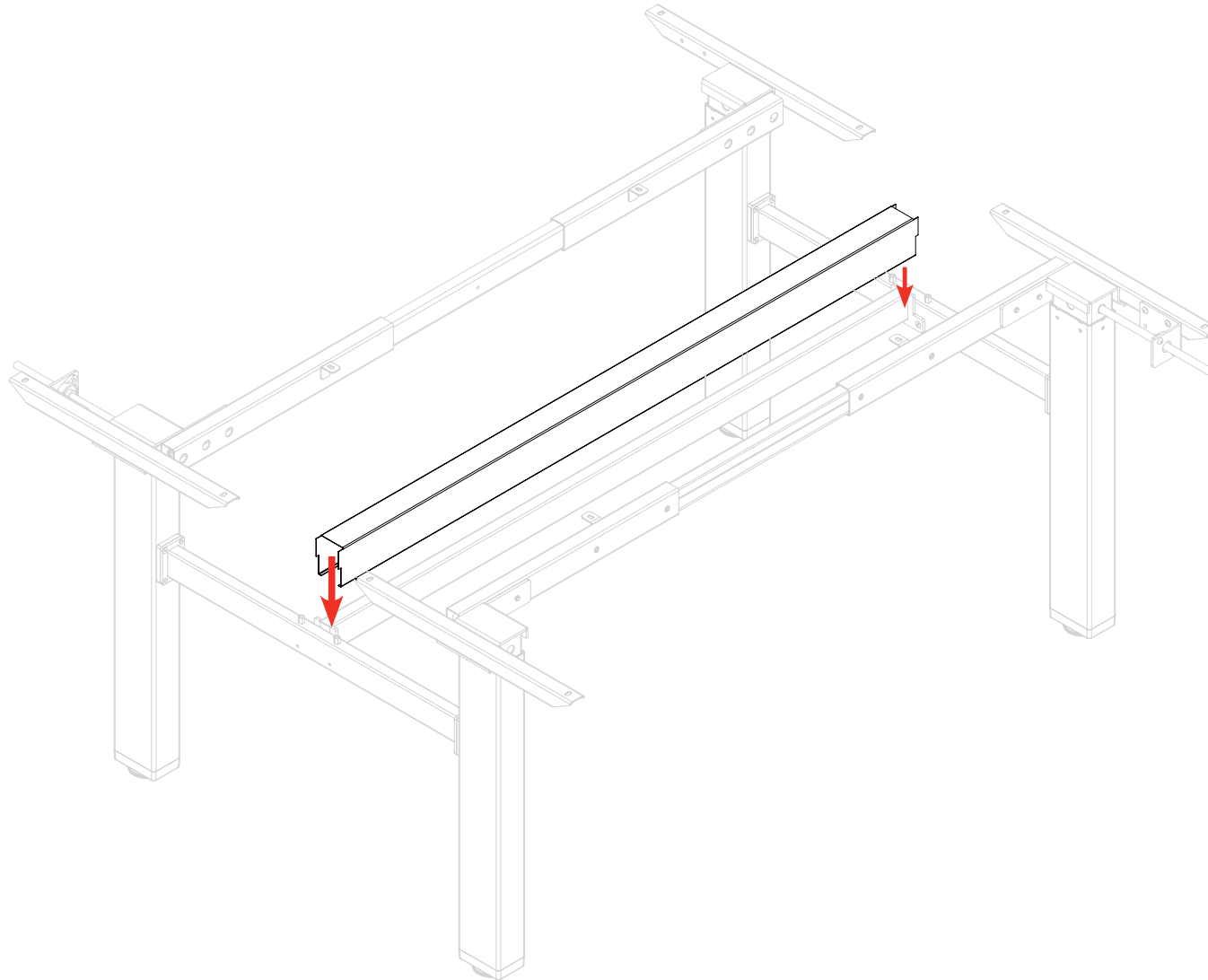
REFER TO PAGE 50 FOR INSTALL  
OF CABLE TRAY

## Step 6





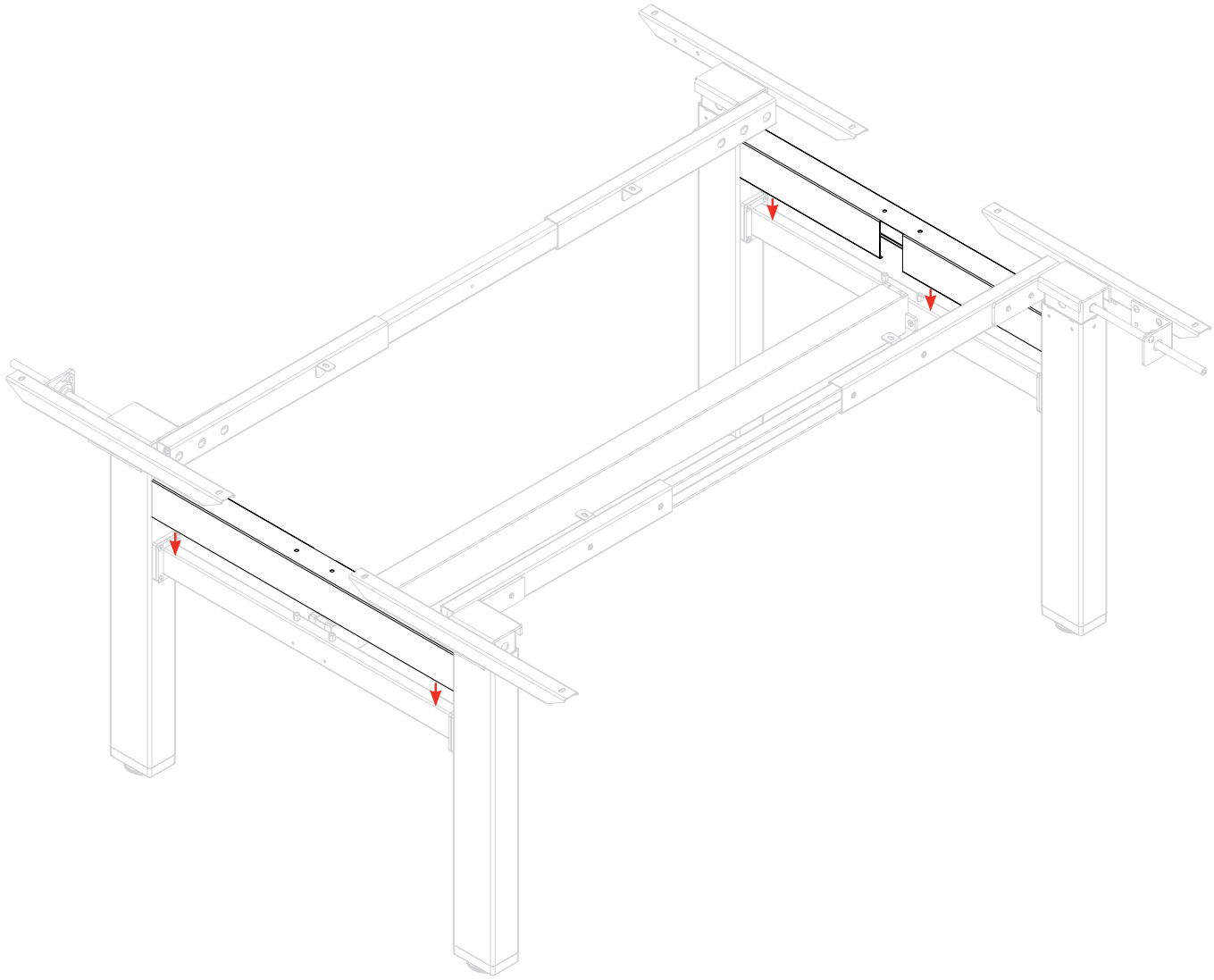
## Step 7



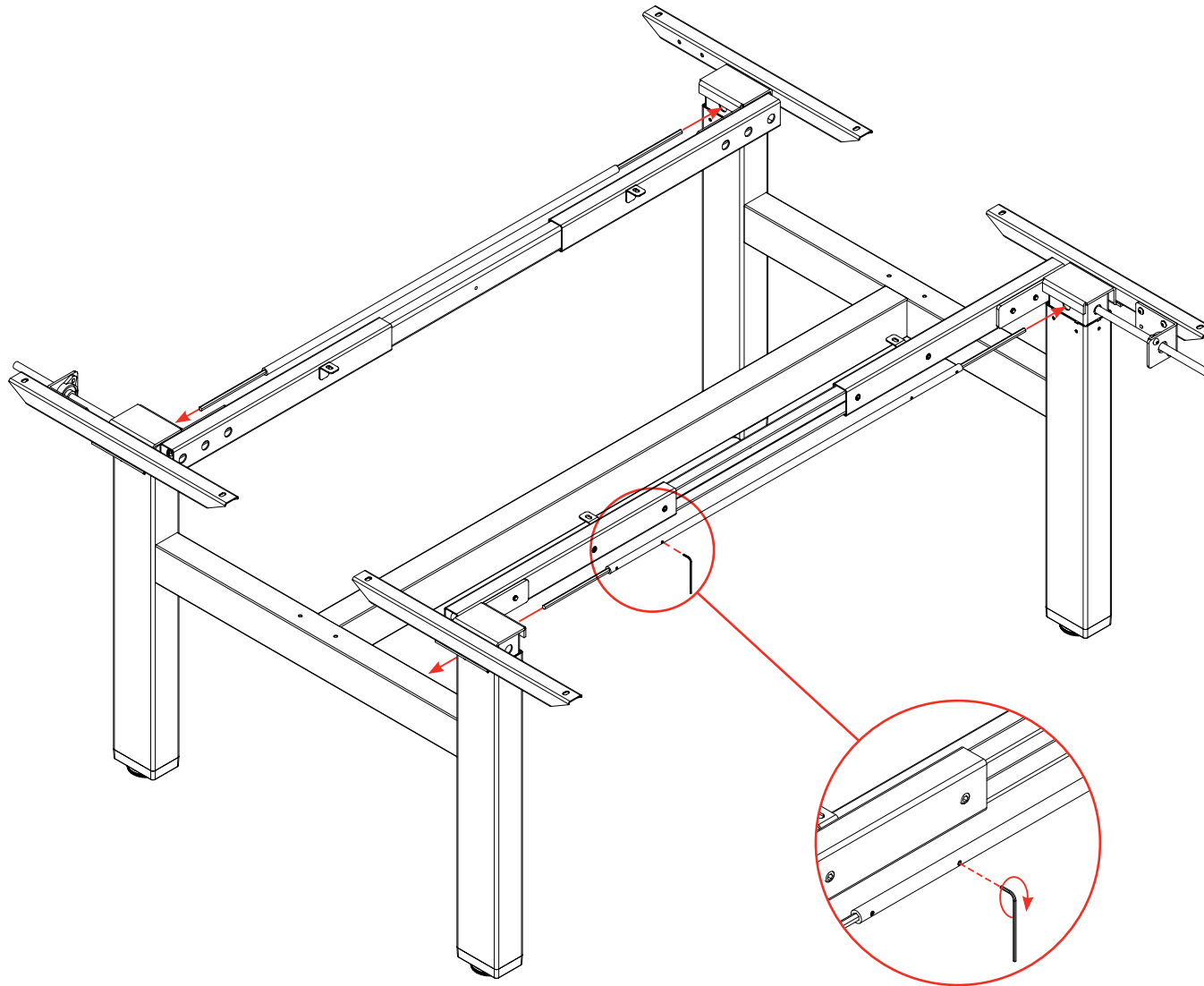
# Agile Desk - Winder Double Sided

## Assembly Instructions

### Step 8



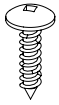
## Step 9



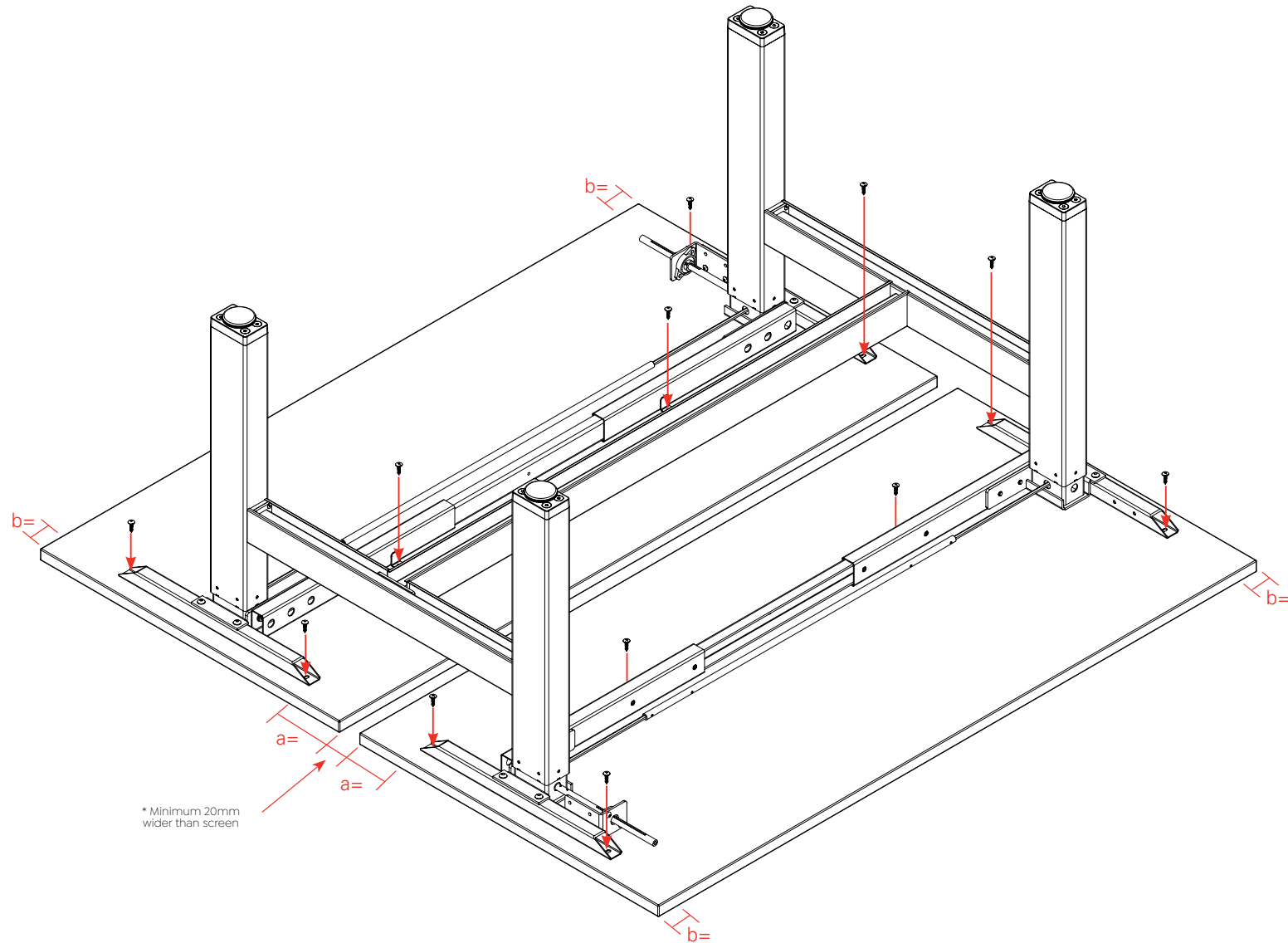
# Agile Desk - Winder Double Sided

## Assembly Instructions

### Step 10



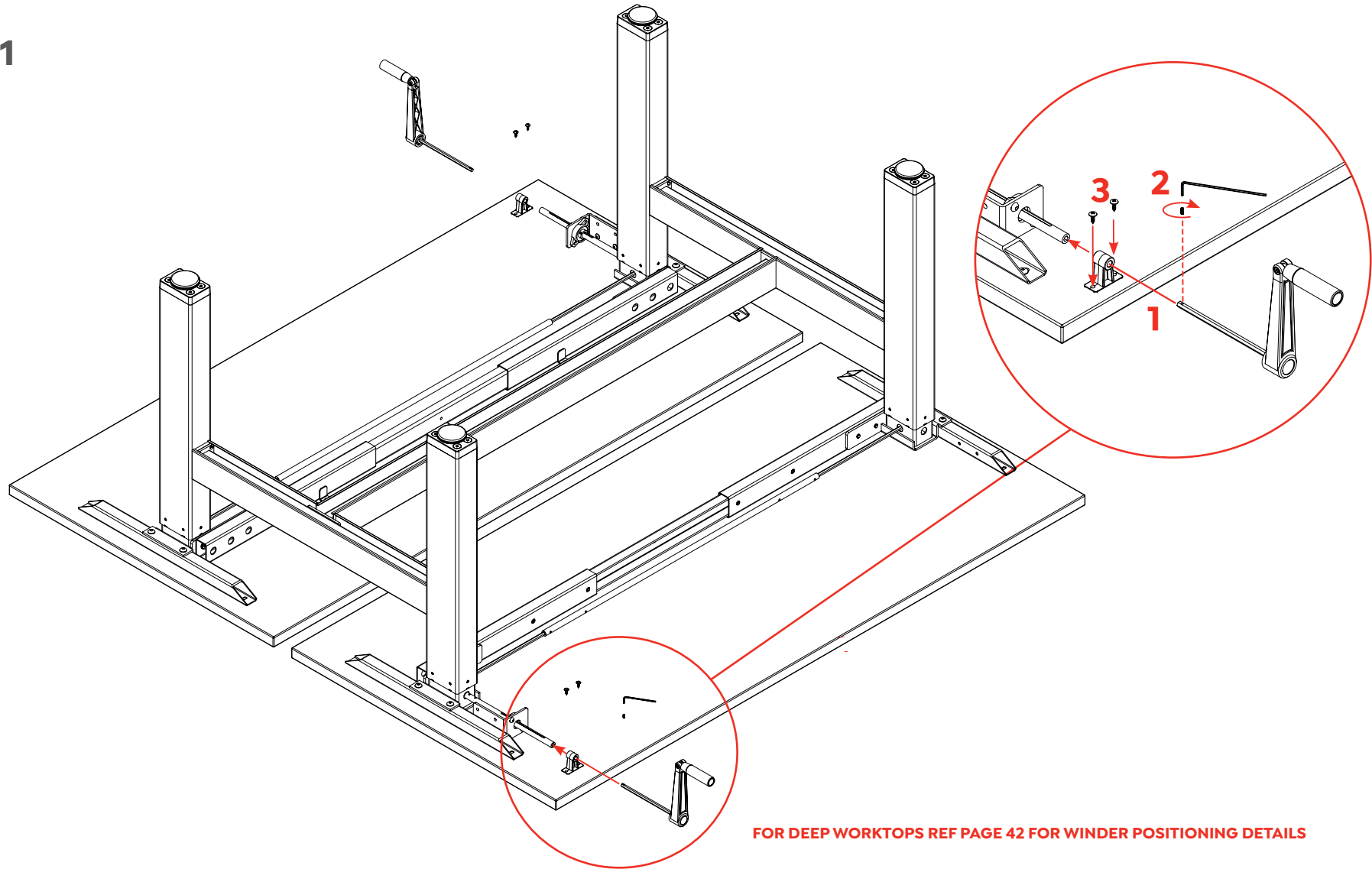
12 x ST5.0x23



# Agile Desk - Winder Double Sided

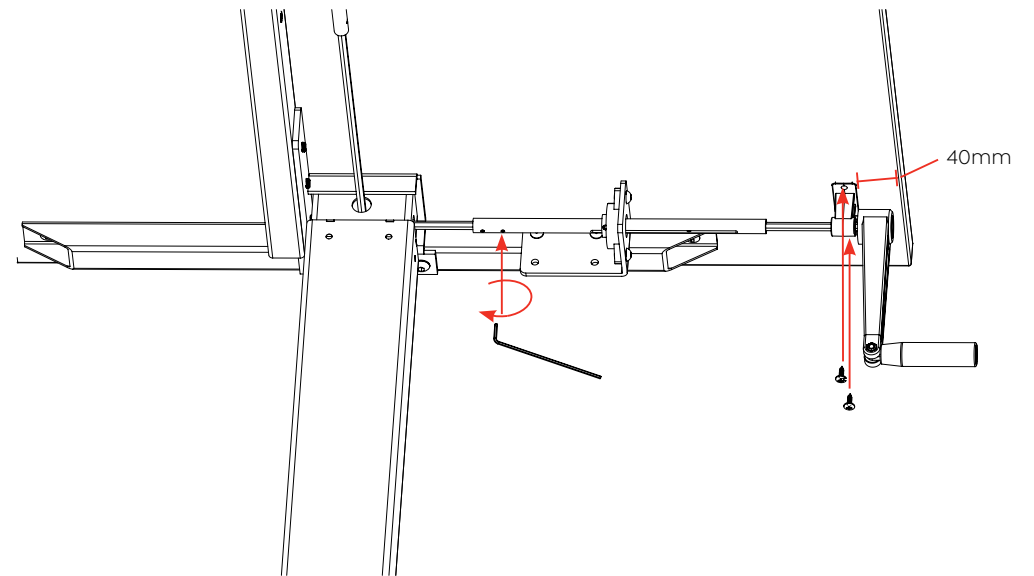
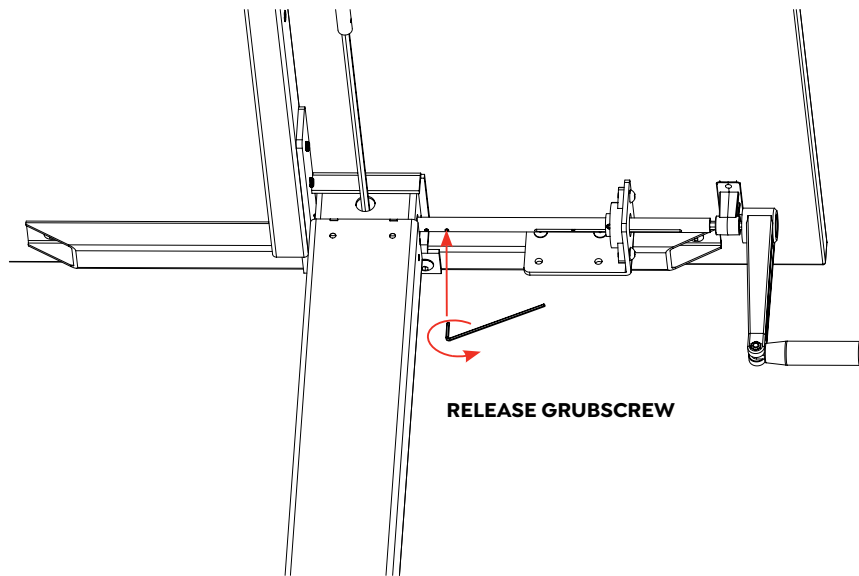
Assembly Instructions

## Step 11



FOR DEEP WORKTOPS REF PAGE 42 FOR WINDER POSITIONING DETAILS

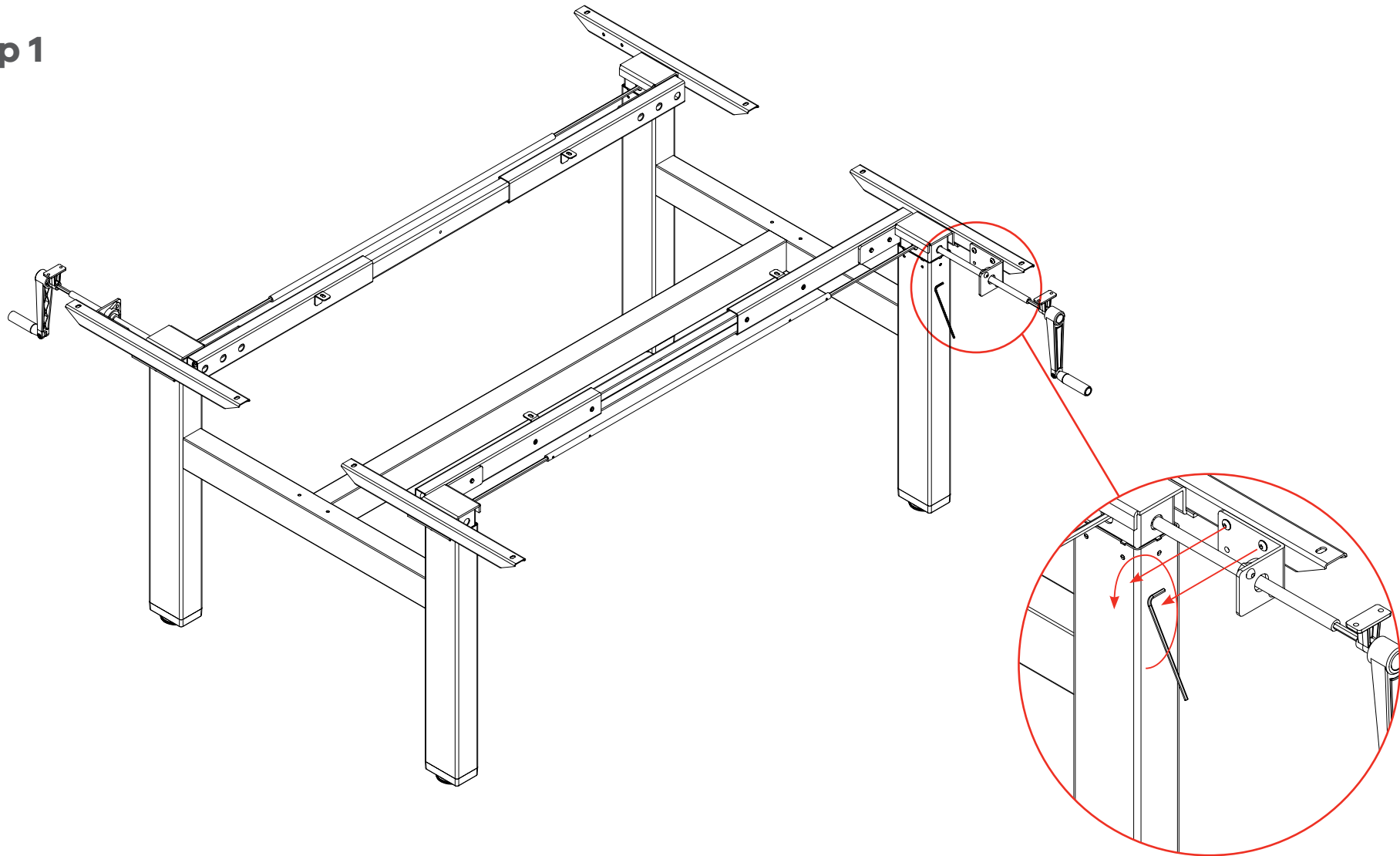
## Positioning of Winder Handle



# Agile Desk - Winder Handle from Right to Left Operation

## Assembly Instructions

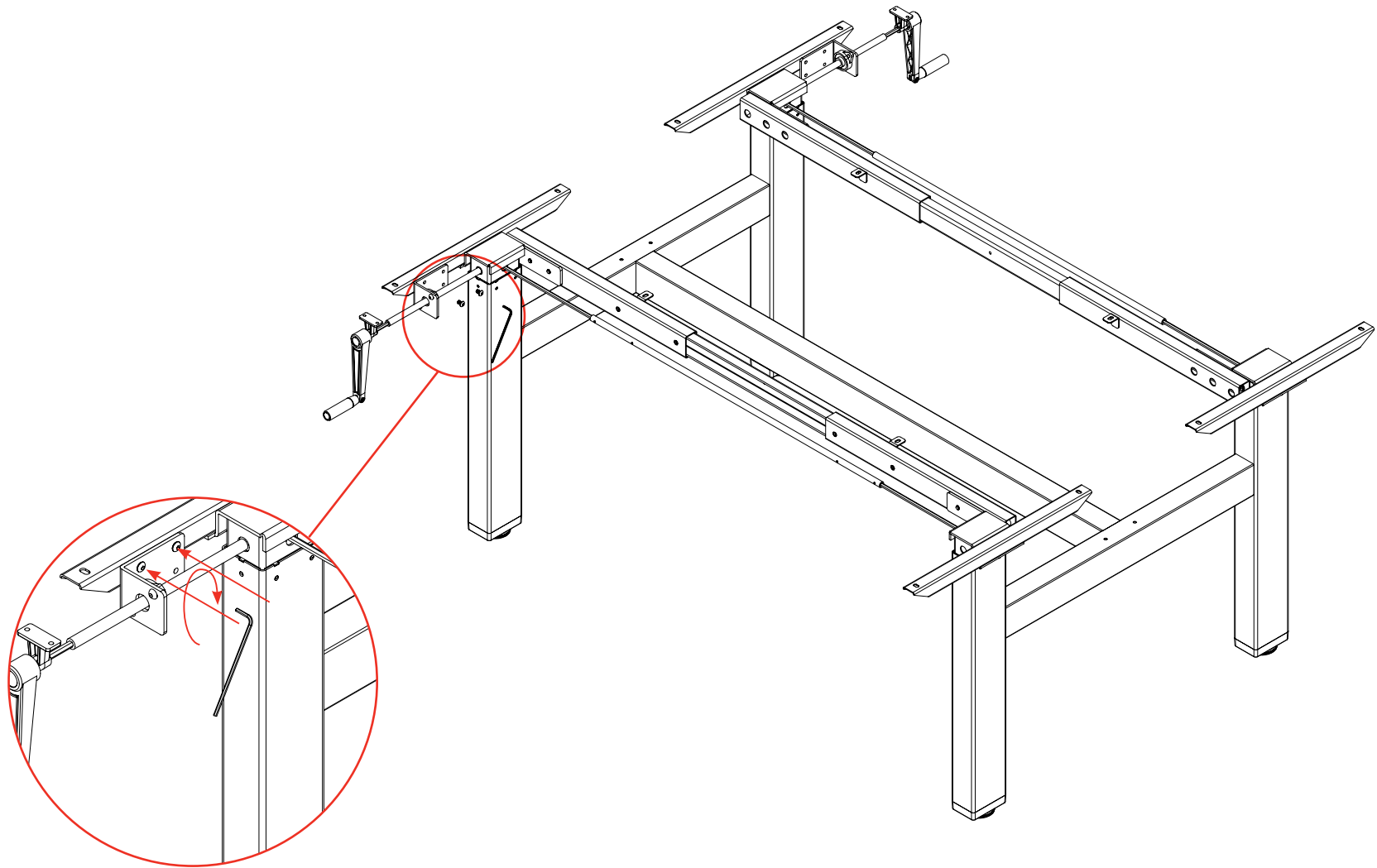
### Step 1



# Agile Desk - Winder Handle from Right to Left Operation

## Assembly Instructions

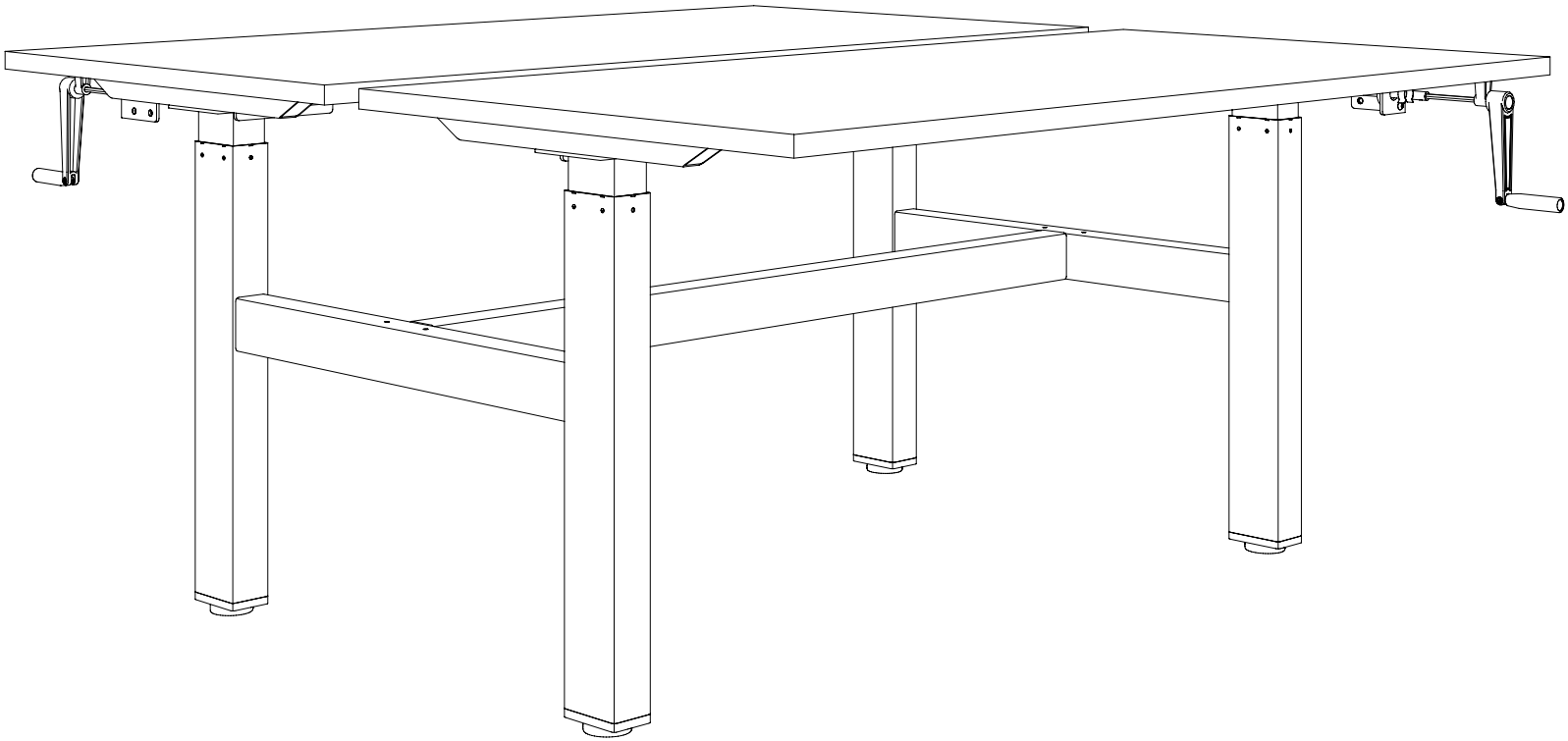
### Step 2





# Agile Desk - Winder Double Sided

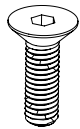
## Assembly Instructions



## Assembly Instructions

---

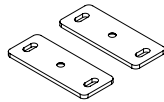
### Parts



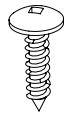
2 x M8x20



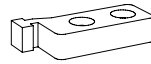
4 x M5x15



2 x Screen Bracket



8 x ST5.0x23



4 x Stabilizing Bracket

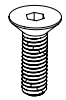


2 x M8x35  
supplied if screen contains ducting

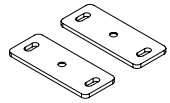
# Agile Desk - Winder Double Sided with Screen

## Assembly Instructions

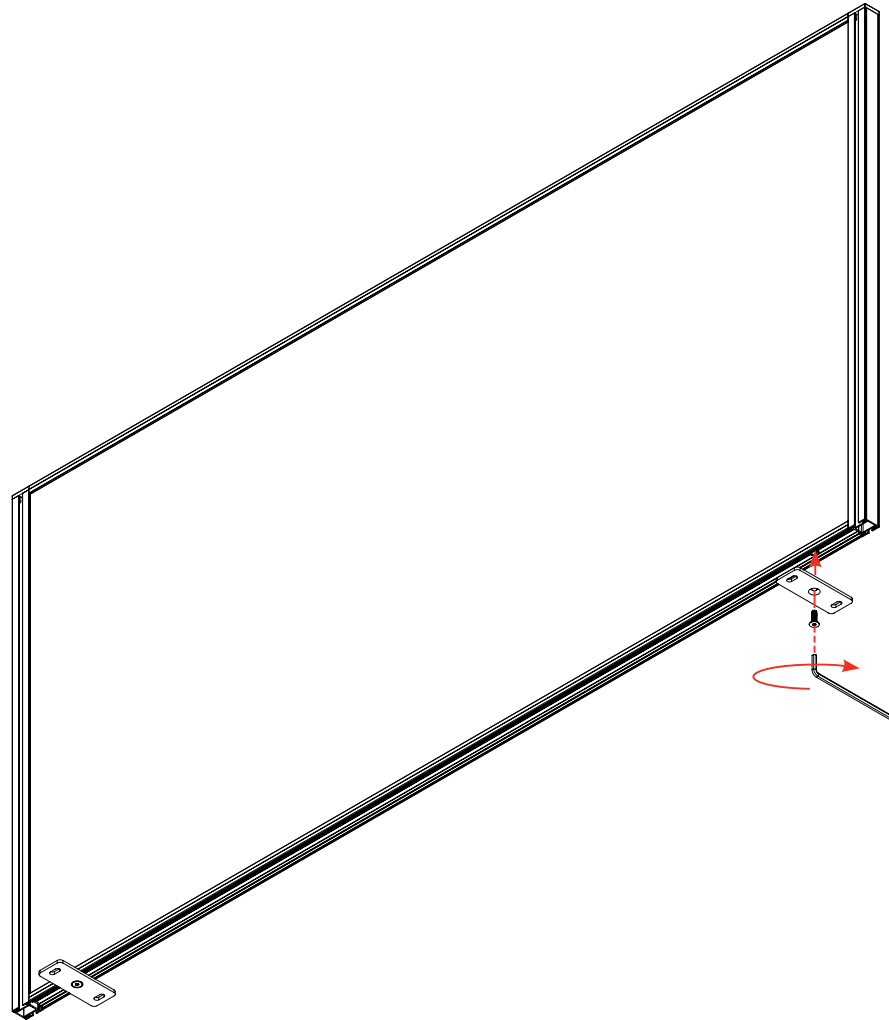
### Step 1



2 x M8x20



2 x Screen Bracket



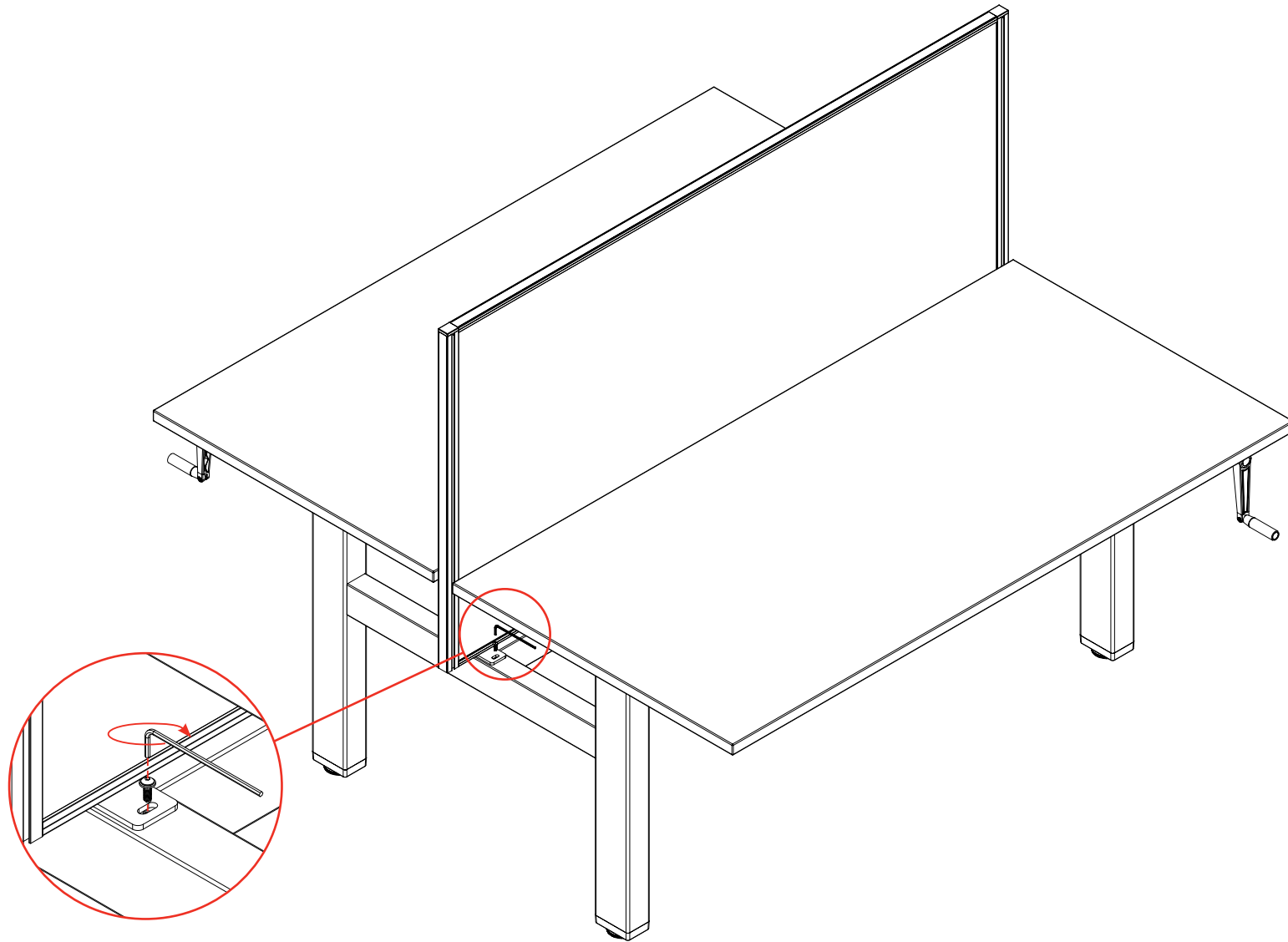
# Agile Desk - Winder Double Sided with Screen

## Assembly Instructions

### Step 2



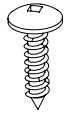
4 x M5x15



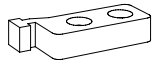
# Agile Desk - Winder Double Sided with Screen

## Assembly Instructions

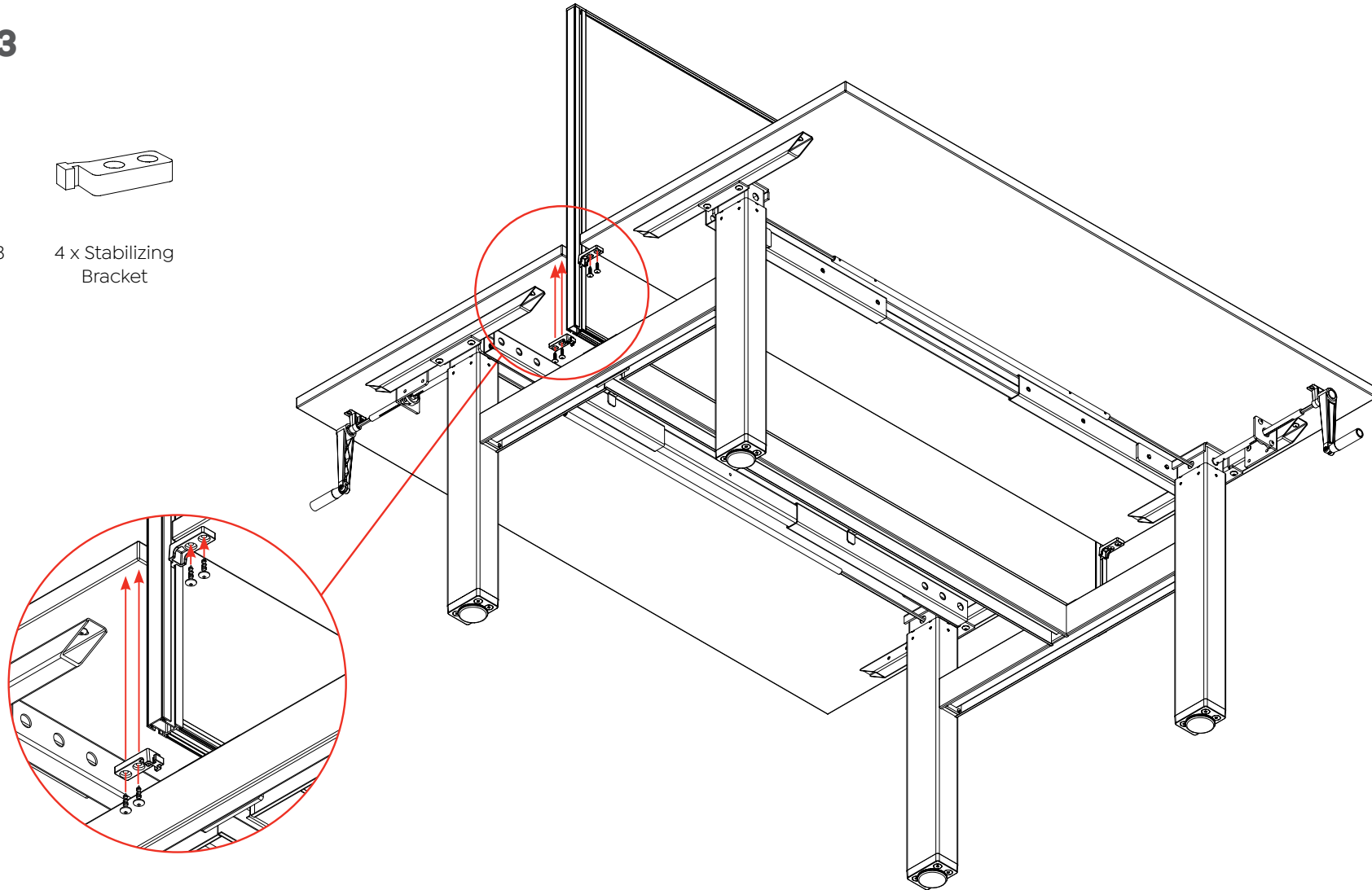
### Step 3



8 x ST5.0x23



4 x Stabilizing  
Bracket

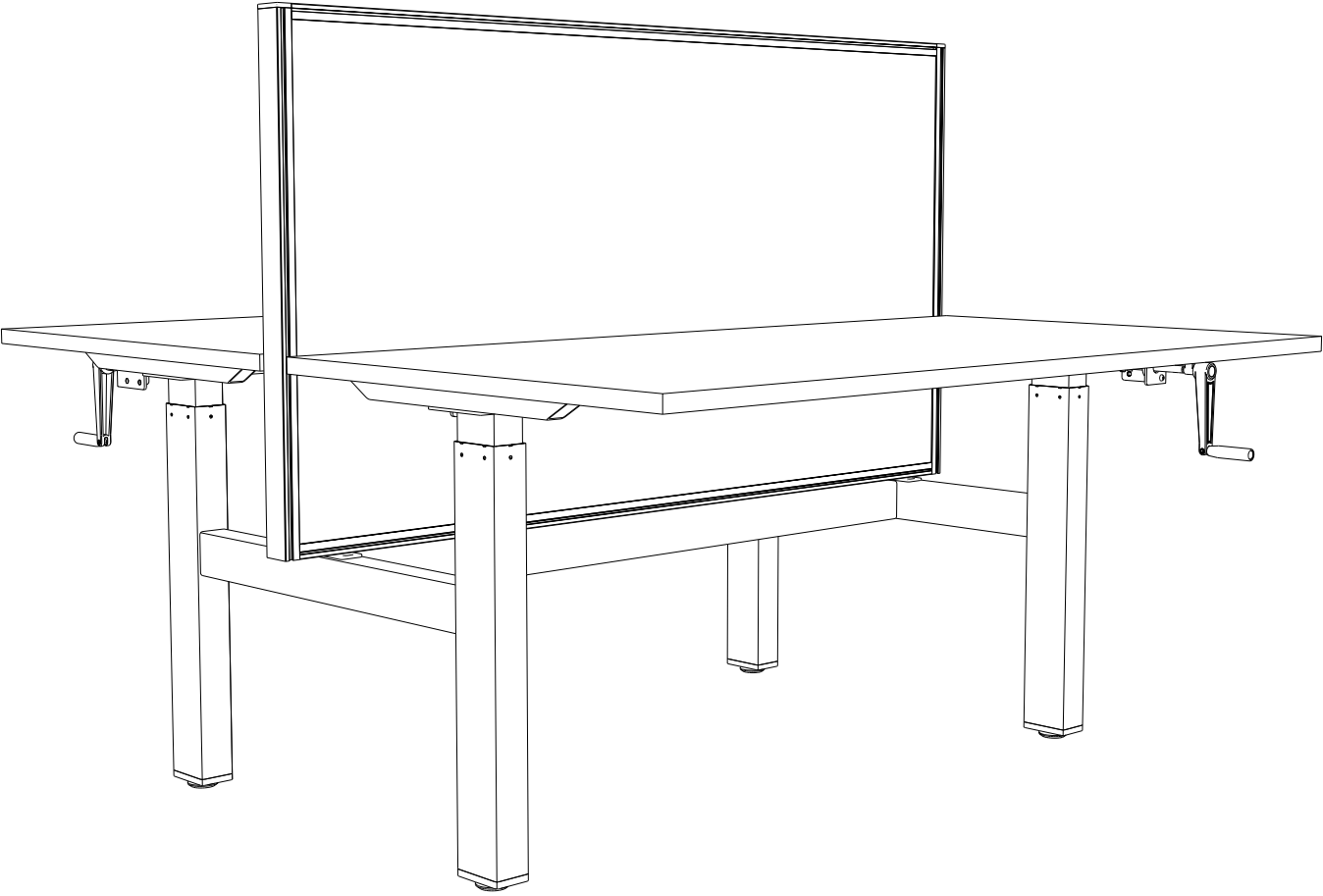


# Agile Desk - Winder Double Sided with Screen

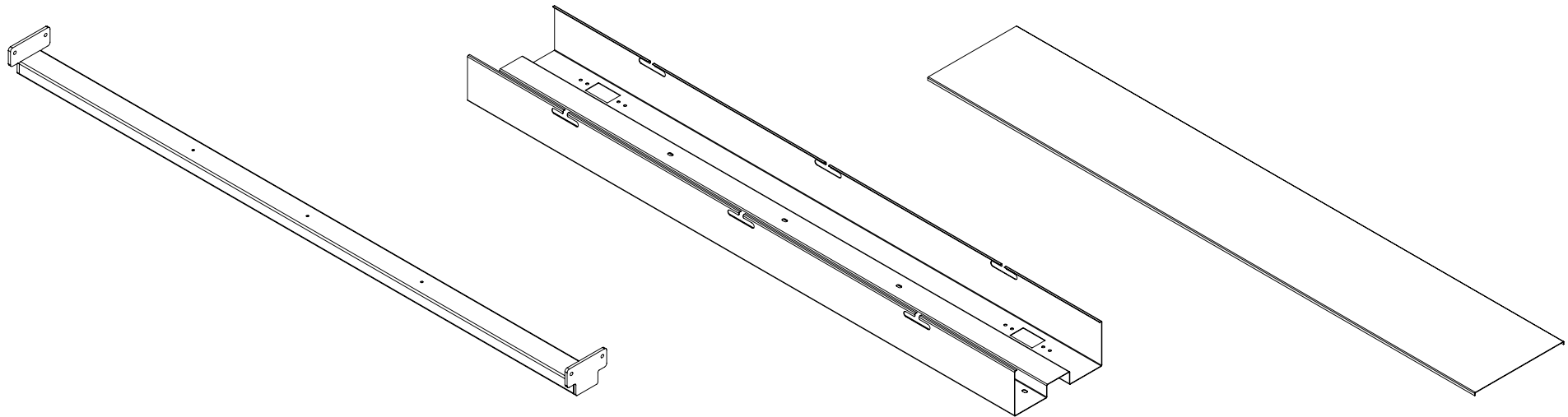
## Assembly Instructions

---

### Completed



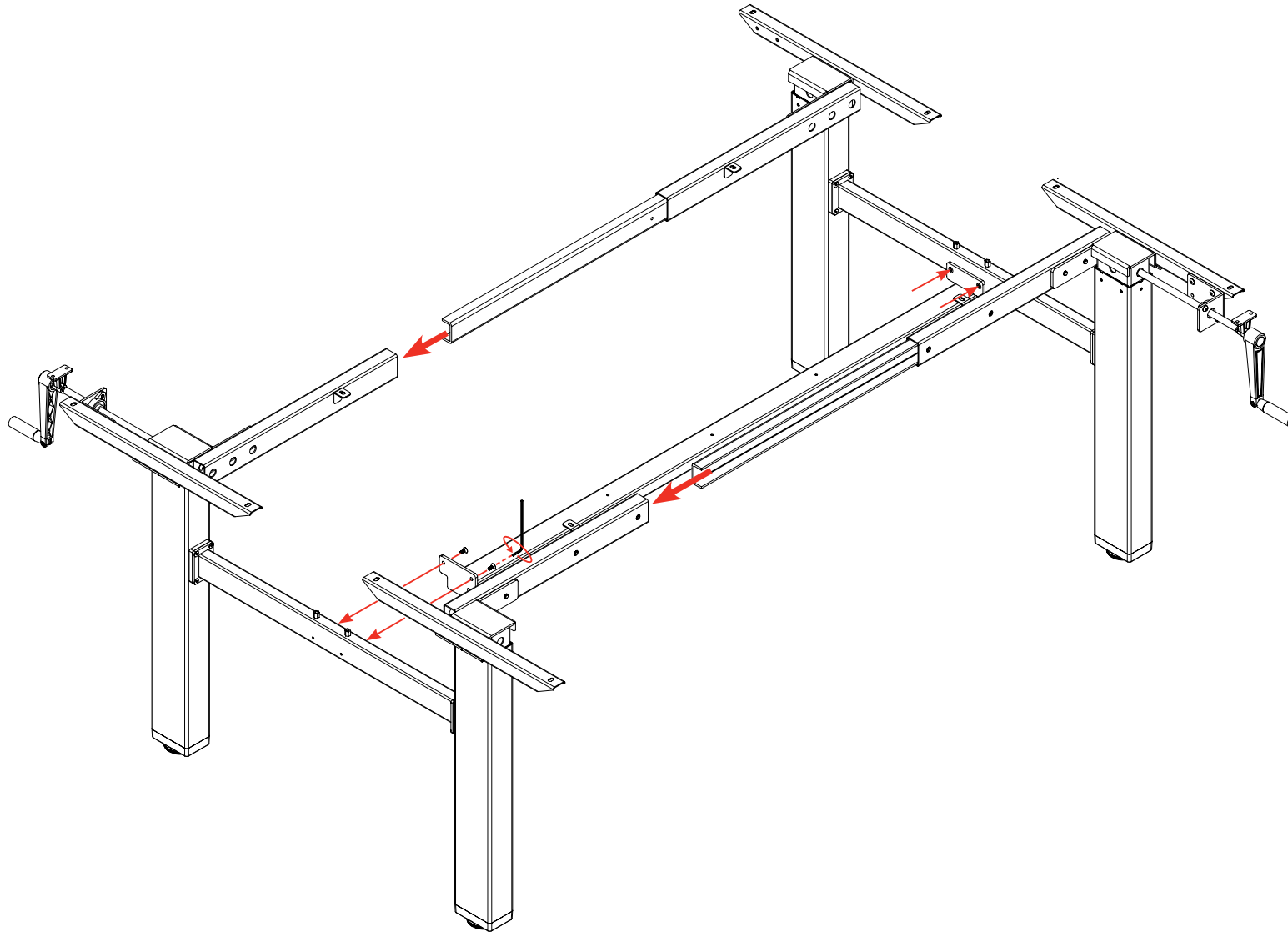
## Parts



# Agile Desk - Winder Double Sided with Cable Tray

## Assembly Instructions

### Step 1

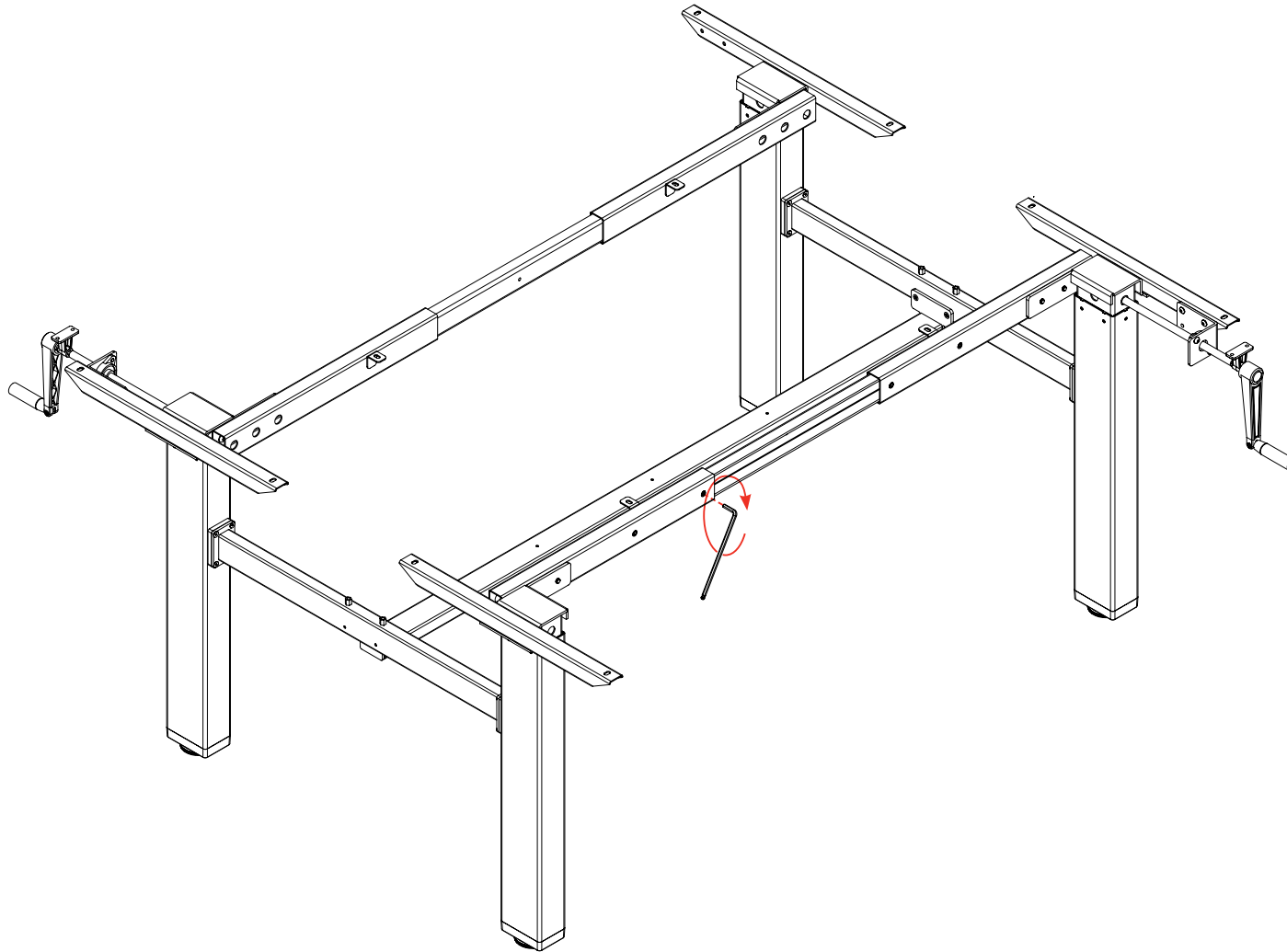




# Agile Desk - Winder Double Sided with Cable Tray

## Assembly Instructions

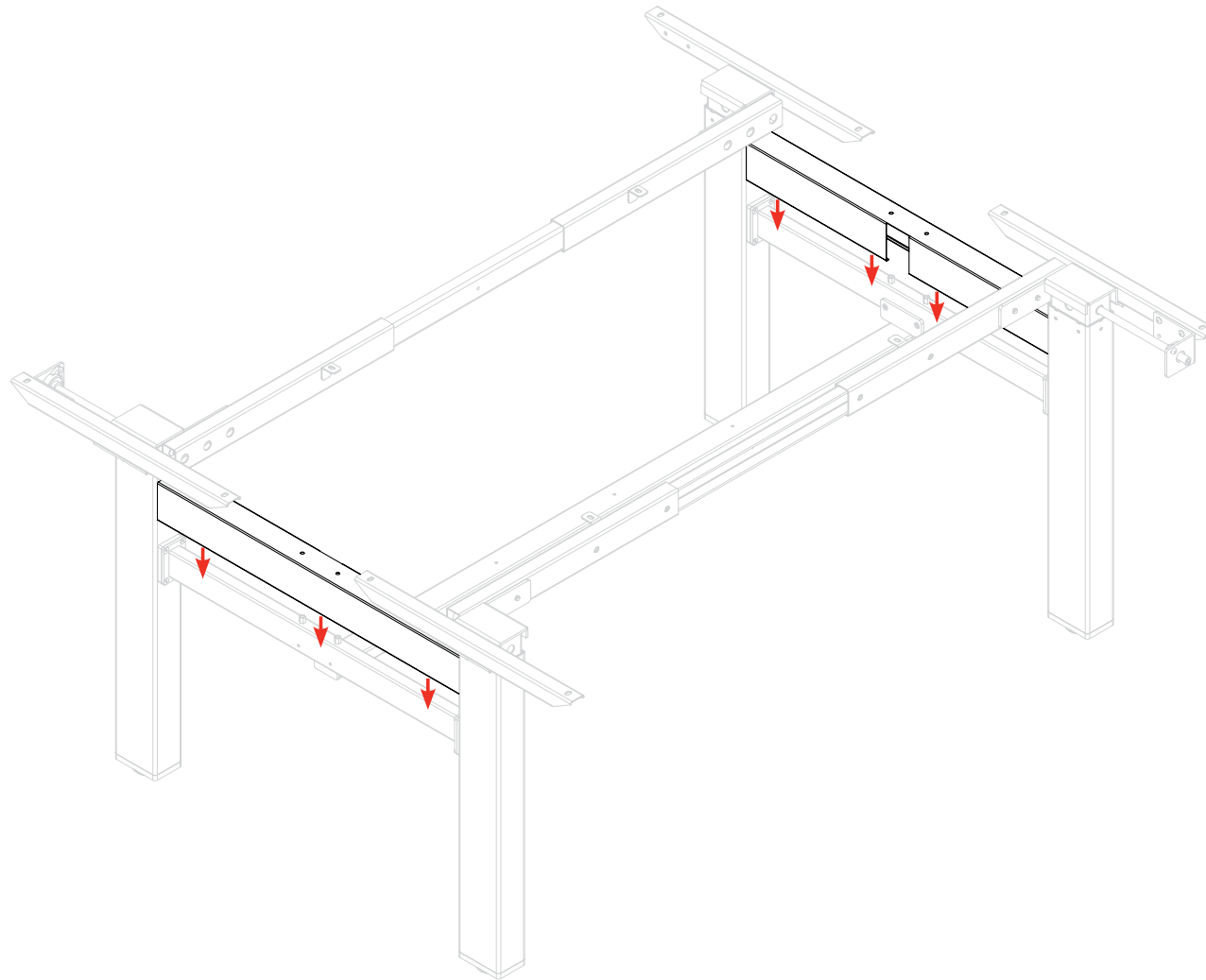
### Step 2



# Agile Desk - Winder Double Sided with Cable Tray

## Assembly Instructions

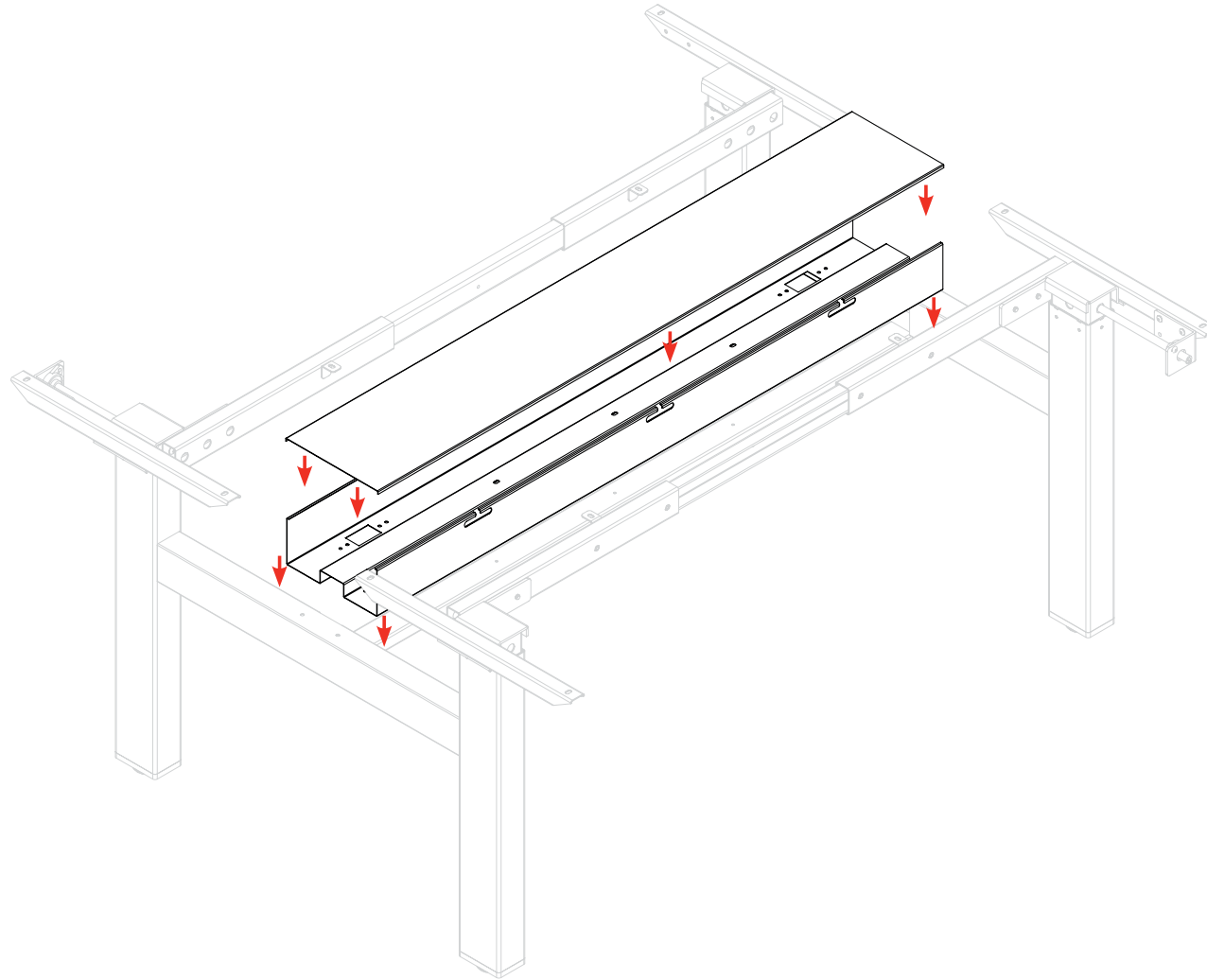
### Step 3



# Agile Desk - Winder Double Sided with Cable Tray

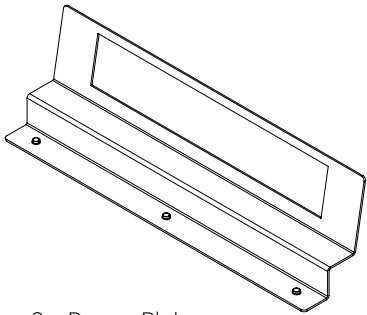
## Assembly Instructions

### Step 4

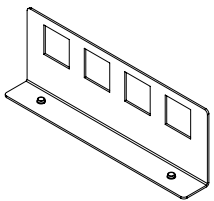


## Assembly Instructions

### Step 1 - Power & Data Plate



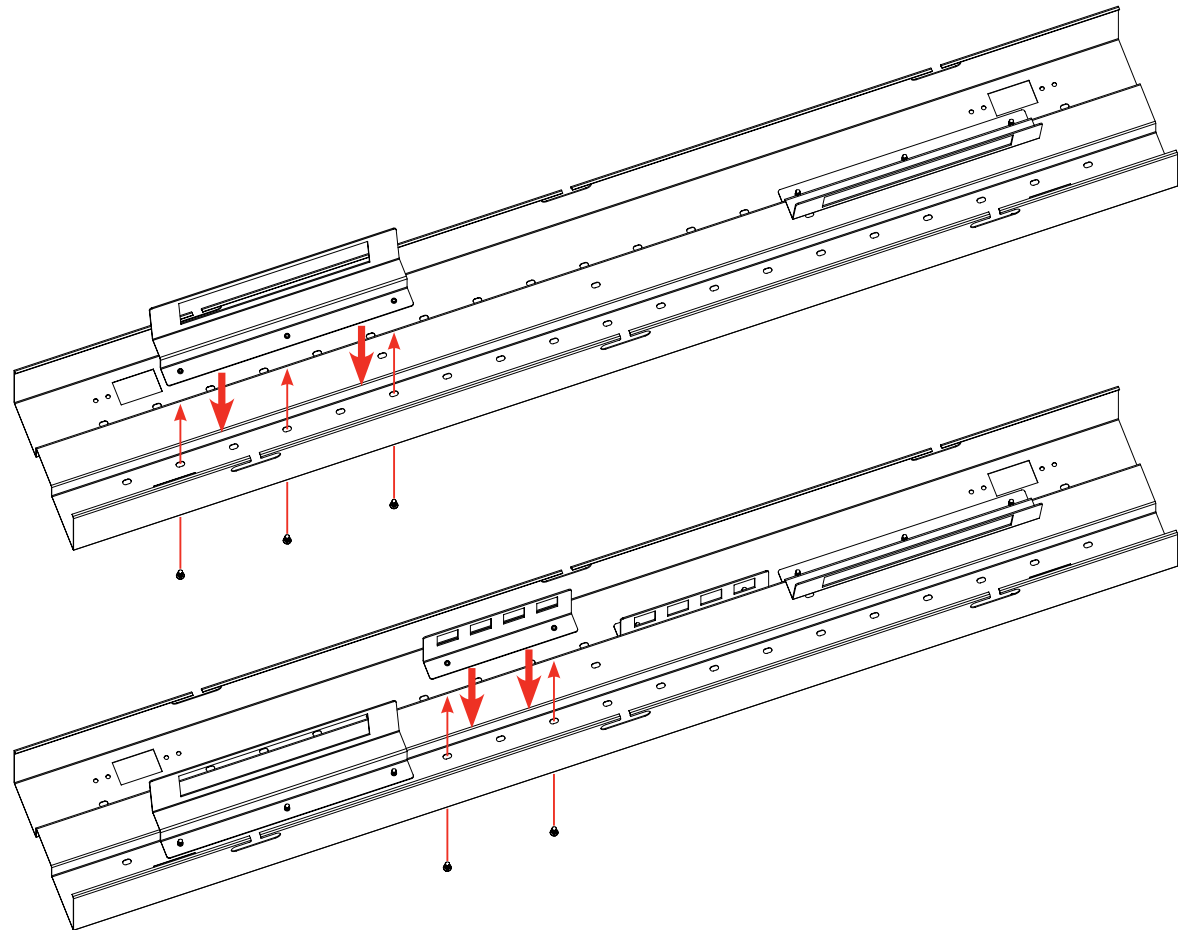
2 x Power Plate



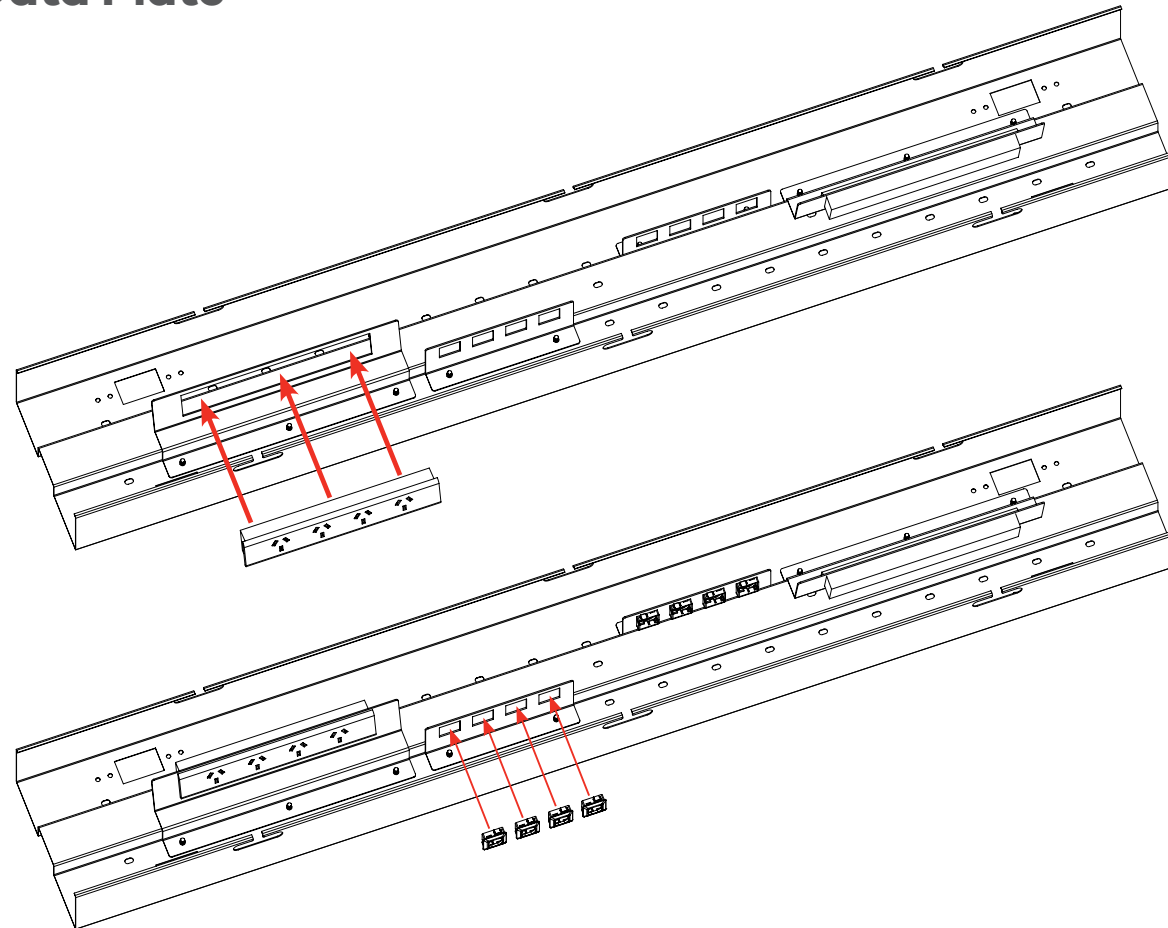
2 x Data Plate



10 x Screws



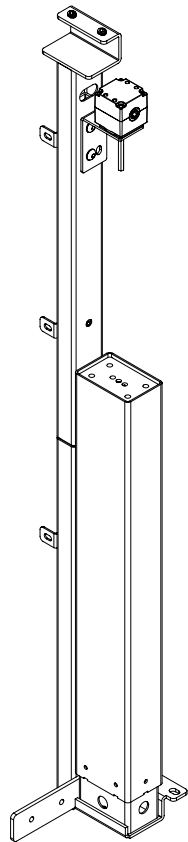
## Step 2 - Power & Data Plate



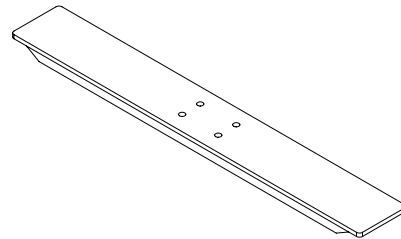
# Agile Desk - Winder Return Right Hand

## Assembly Instructions

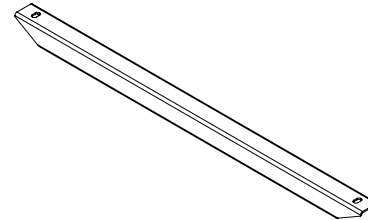
### Parts



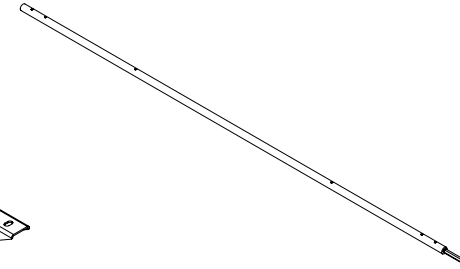
1 x Return Leg



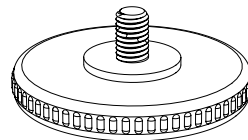
1 x Foot



1 x Support Bar



1 x Drive Bar



2 x Levelling Foot



4 x M8x25



5 x ST5x23



4 x M8x10

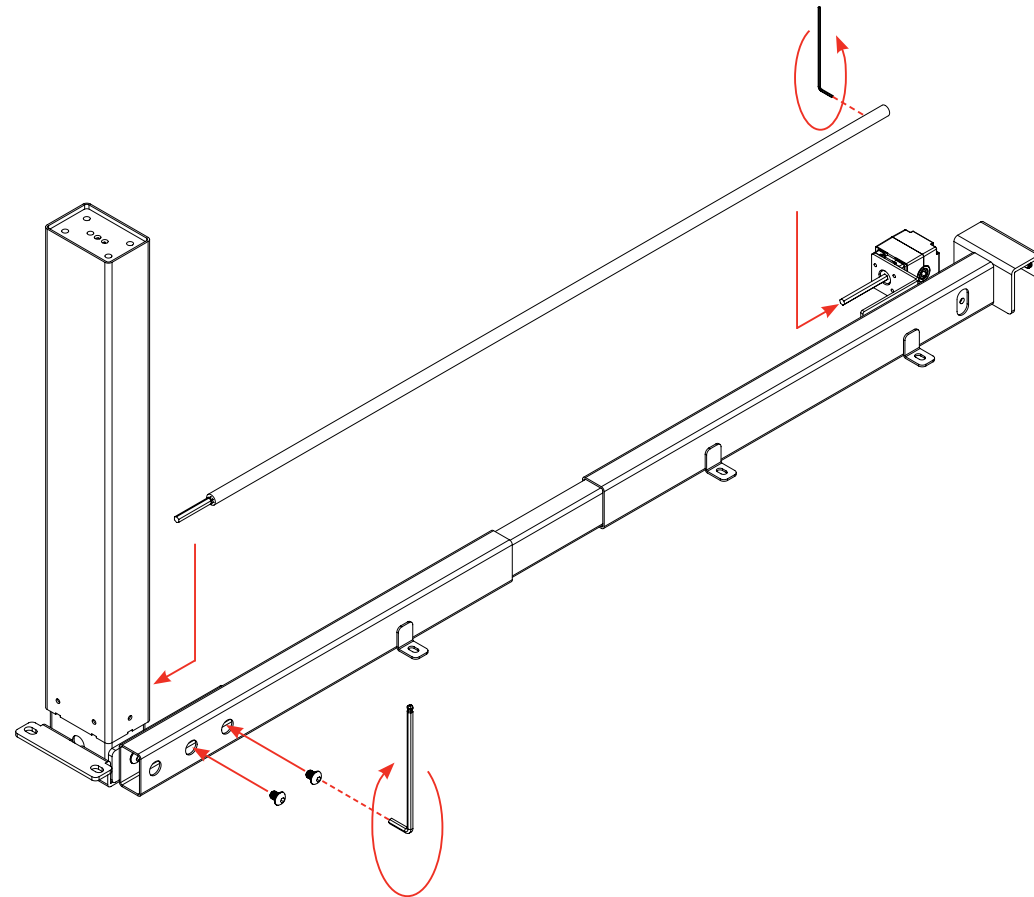
# Agile Desk - Winder Return Right Hand

## Assembly Instructions

### Step 1



2 x M8x10



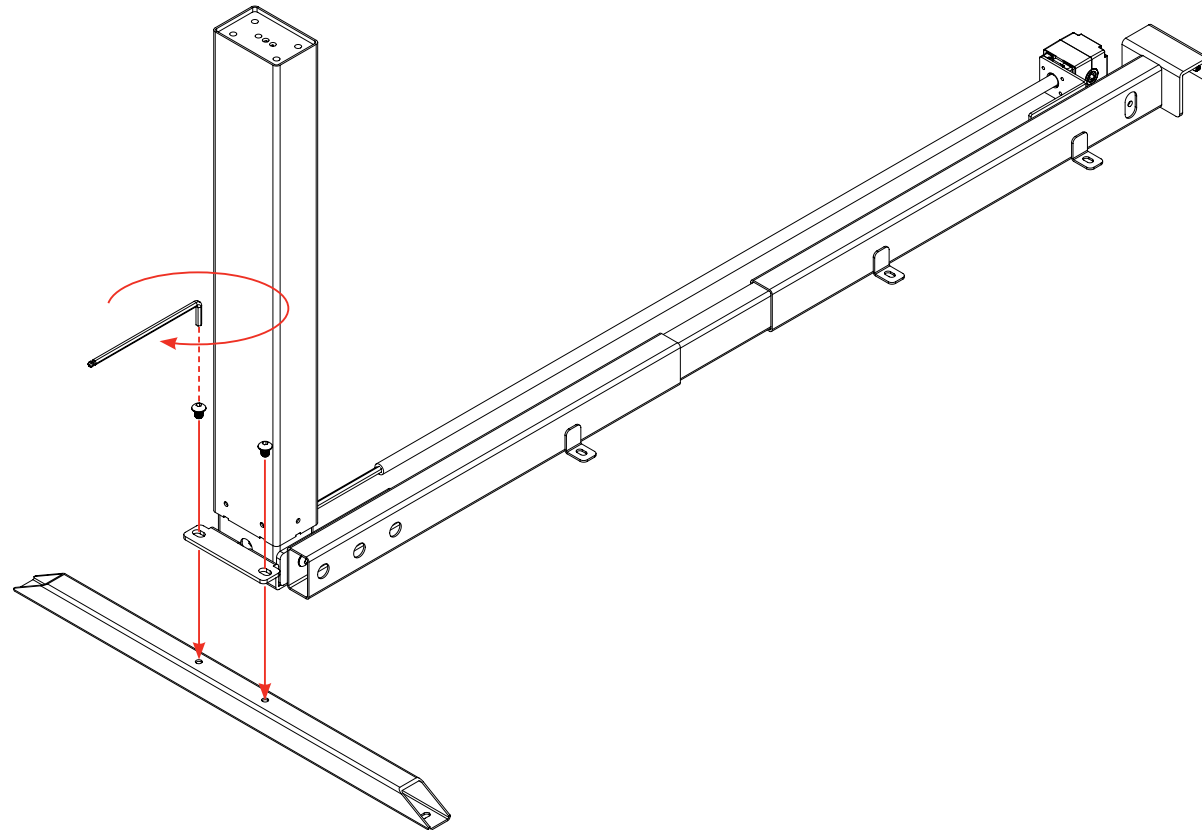
# Agile Desk - Winder Return Right Hand

## Assembly Instructions

### Step 2



2 x M8x10

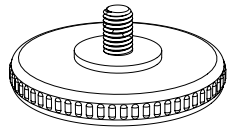




# Agile Desk - Winder Return Right Hand

## Assembly Instructions

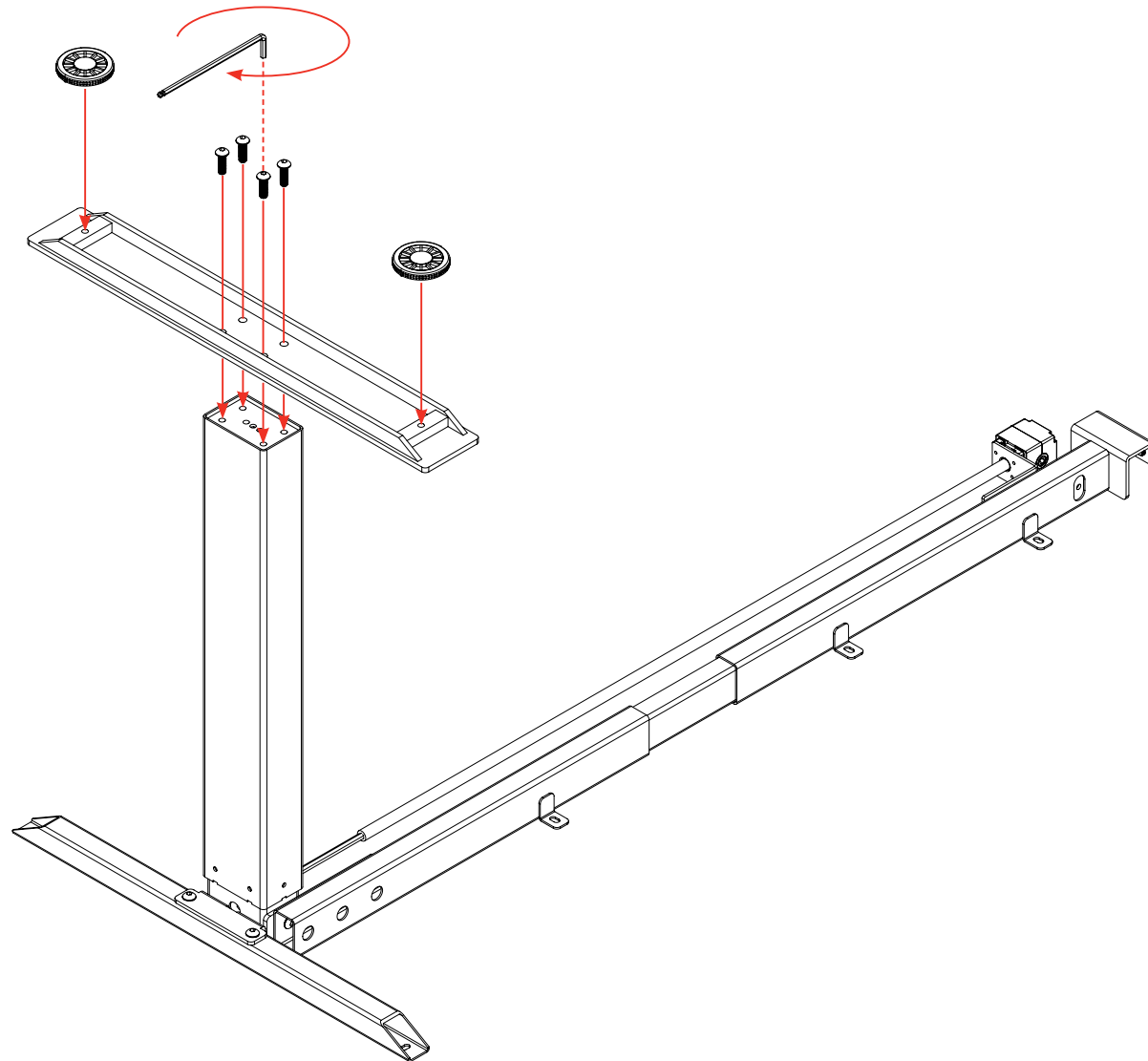
### Step 3



2 x Levelling Foot



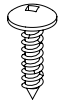
4 x M8x25



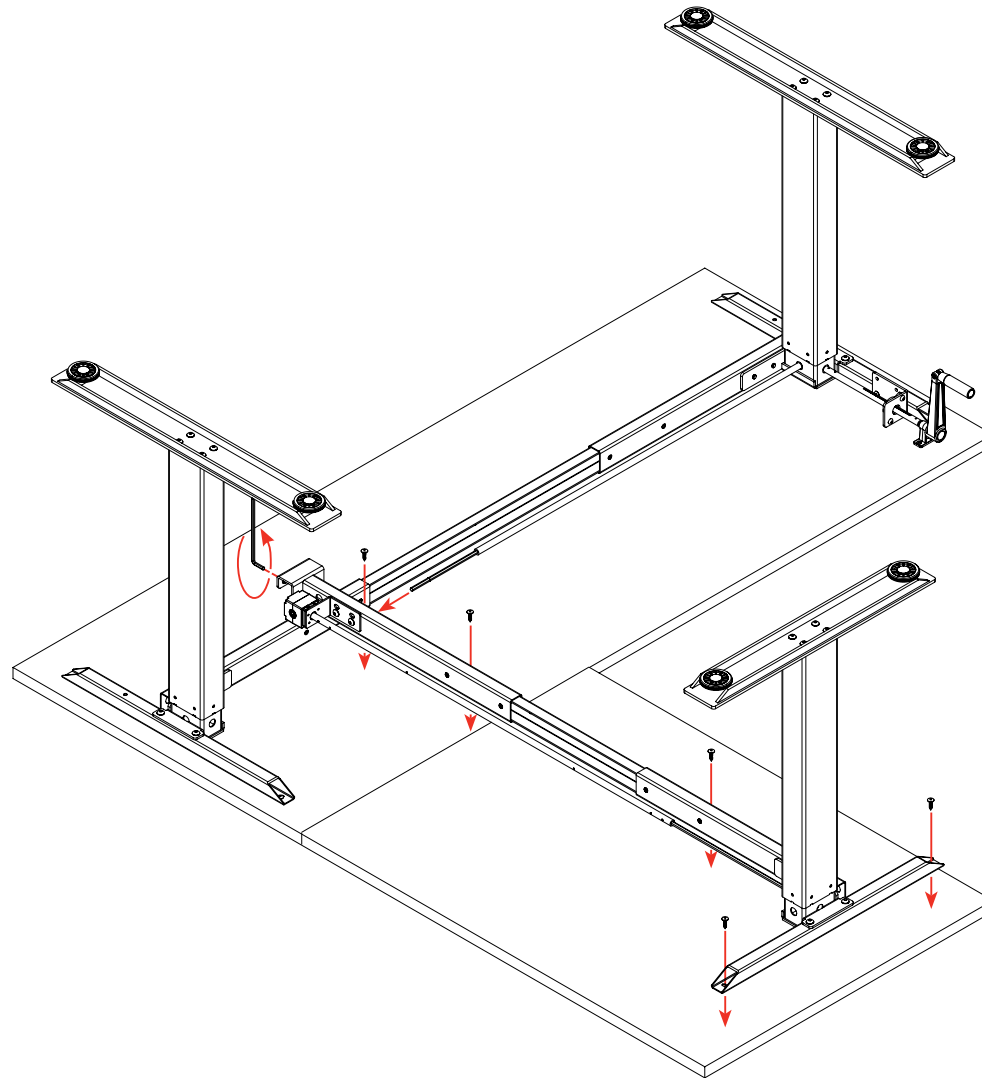
# Agile Desk - Winder Return RH Single Sided Desk

## Assembly Instructions

### Step 1



5 x ST5x23



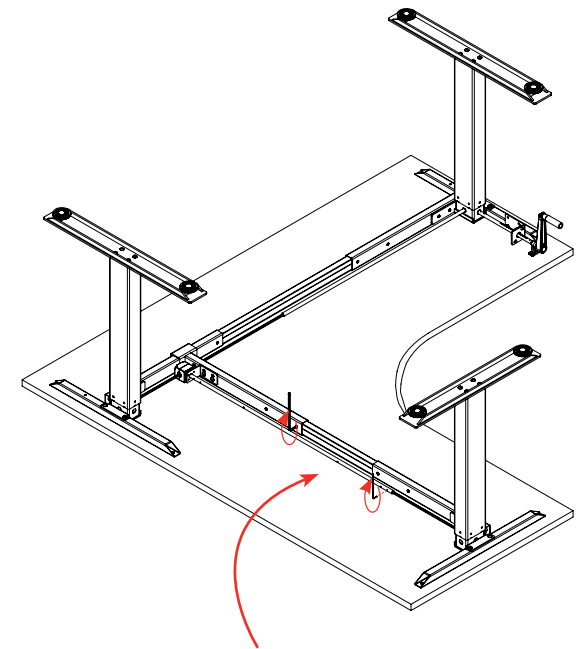
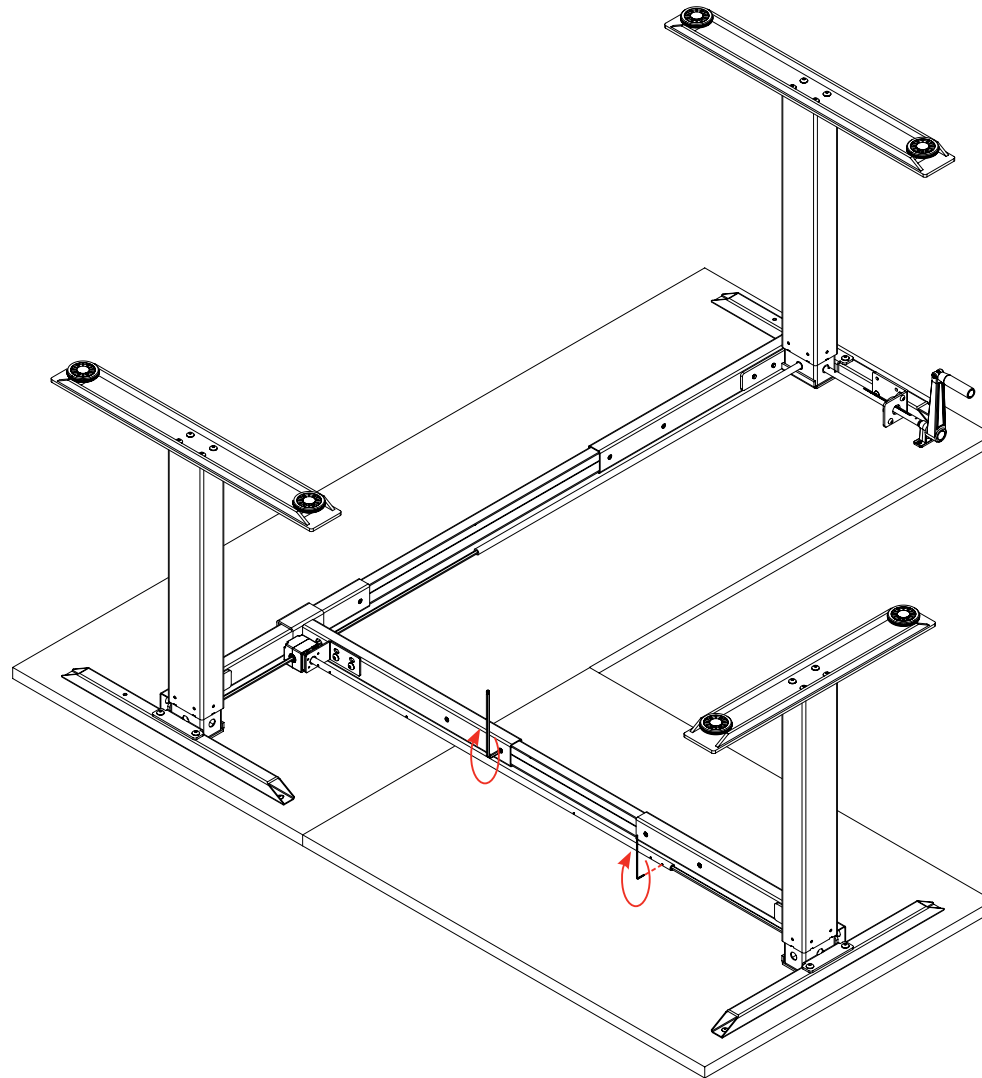
### IMPORTANT!

REFER TO PAGE 4 OF THE INSTRUCTIONS TO ASSEMBLE THE WINDER SINGLE SIDE DESK FRAME AND TOP.

# Agile Desk - Winder Return RH Single Sided Desk

## Assembly Instructions

### Step 2

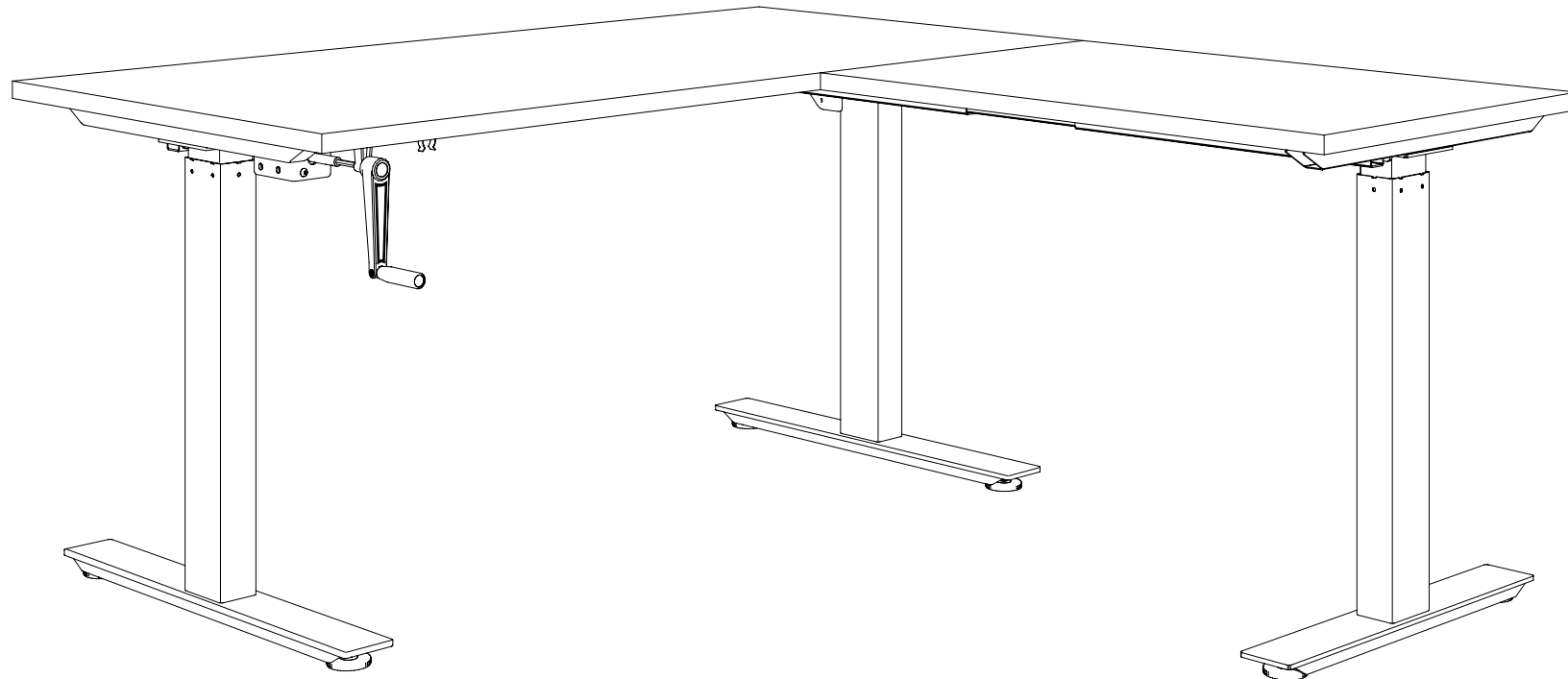


*Shown with 1 piece workstation top option*

# Agile Desk - Winder Return RH Single Sided Desk

## Assembly Instructions

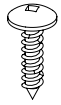
### Completed



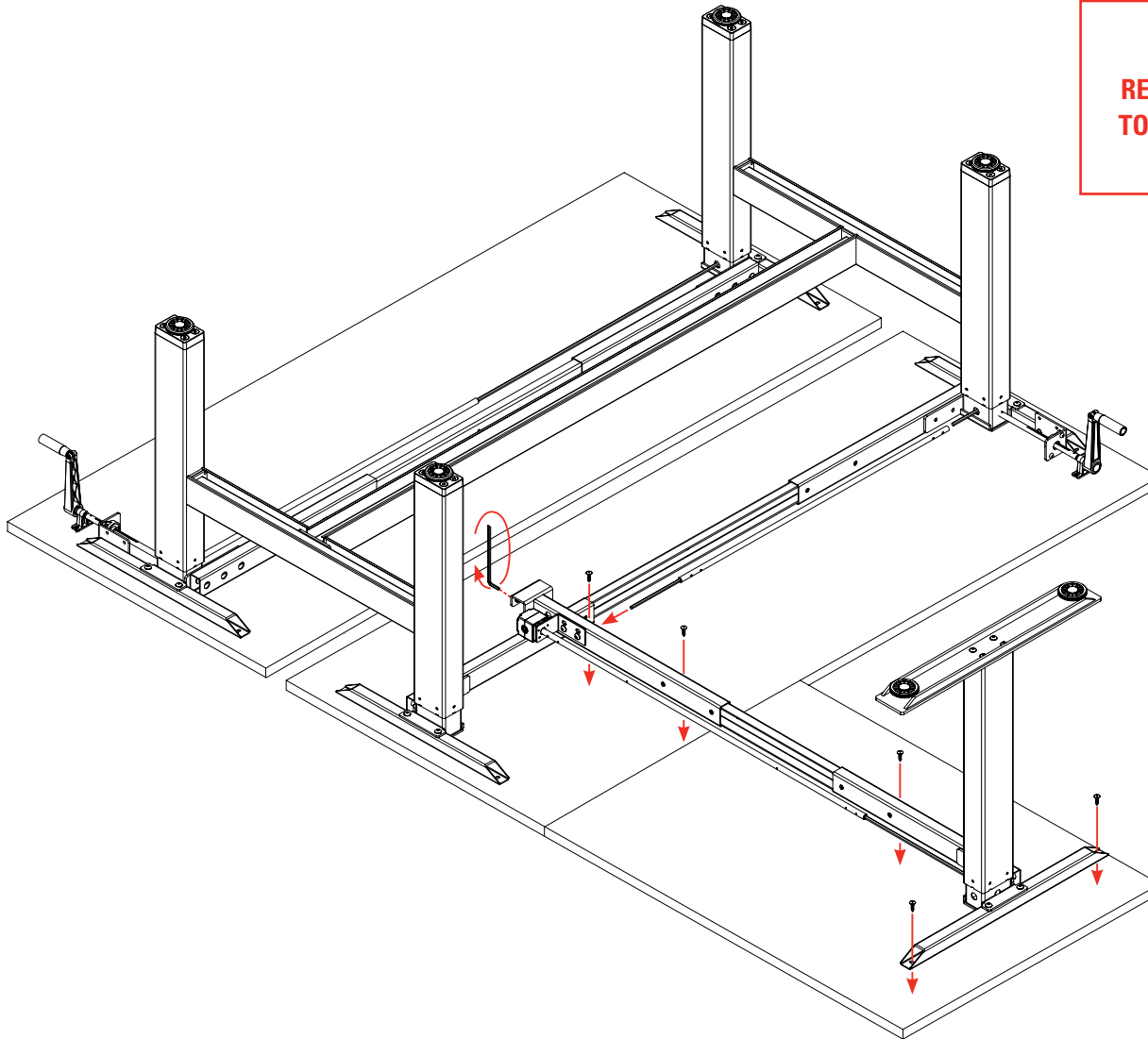
# Agile Desk - Winder Return RH Double Sided Desk

## Assembly Instructions

### Step 1



5 x ST5x23



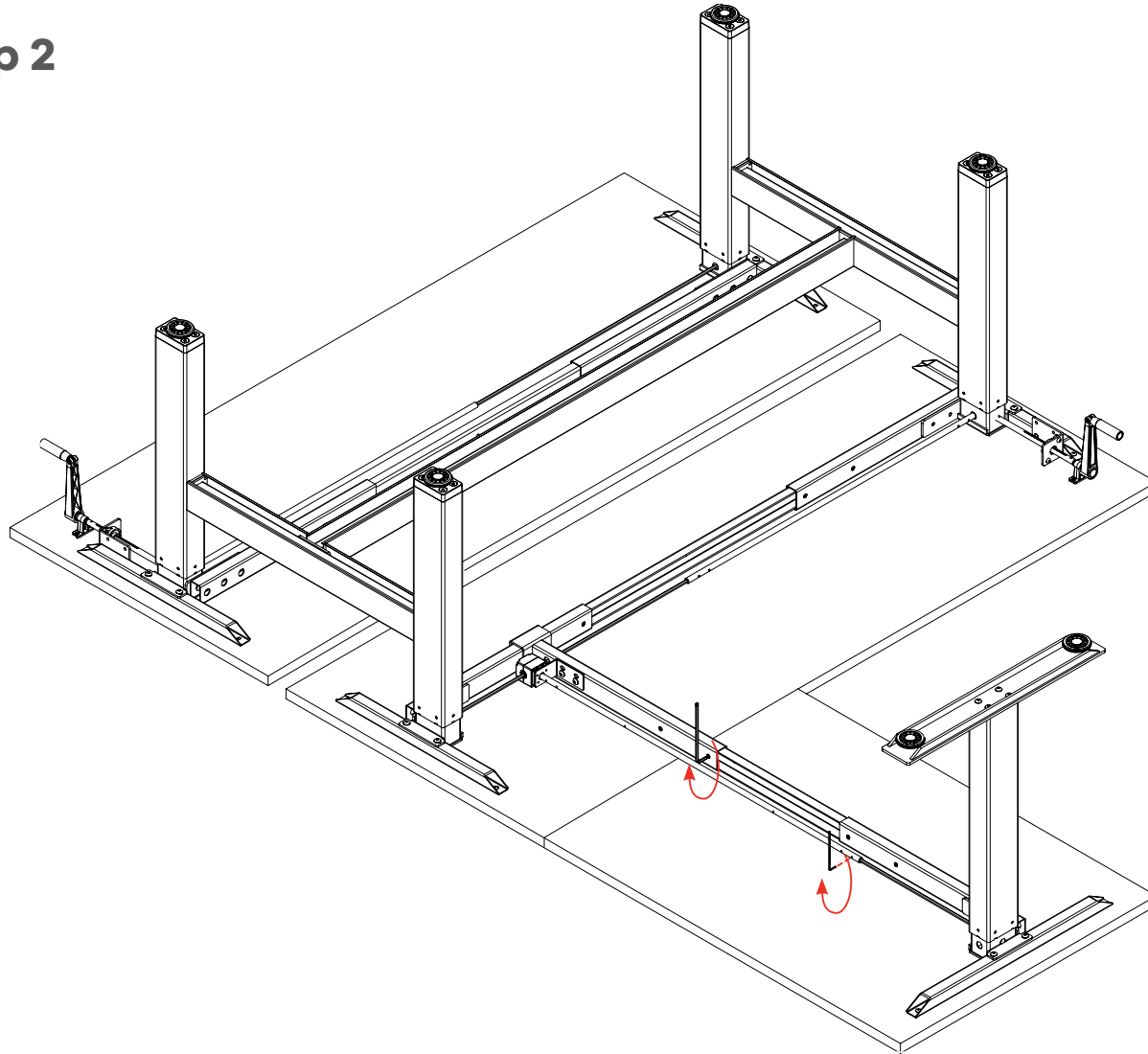
### IMPORTANT!

REFER TO PAGE 29 OF THE INSTRUCTIONS  
TO ASSEMBLE THE WINDER DOUBLE SIDE  
DESK FRAME AND TOPS.

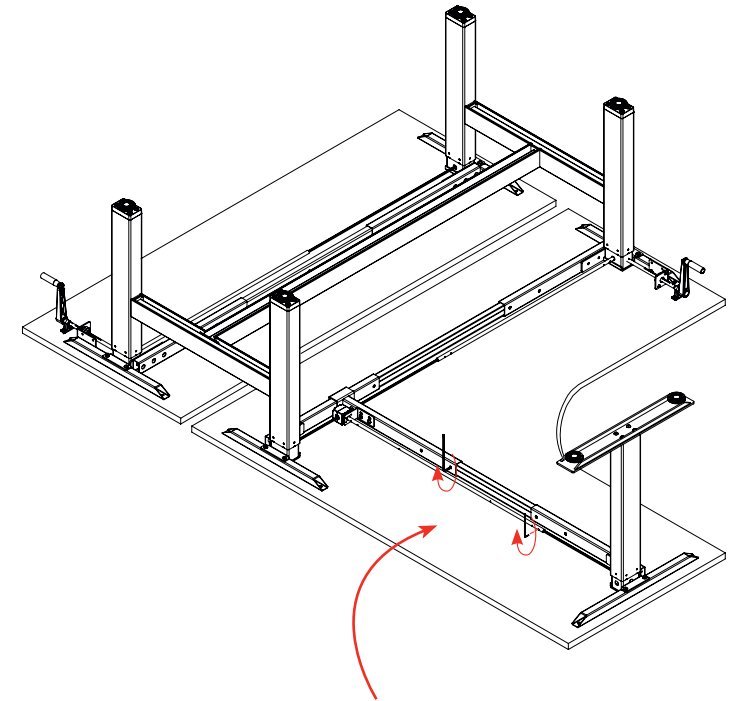
# Agile Desk - Winder Return RH Double Sided Desk

## Assembly Instructions

### Step 2



**IMPORTANT!**  
REPEAT & MIRROR INSTRUCTIONS ON  
PAGE 65-66 TO ADD A RIGHT RETURN TO  
THE OPPOSITE WORKTOP.

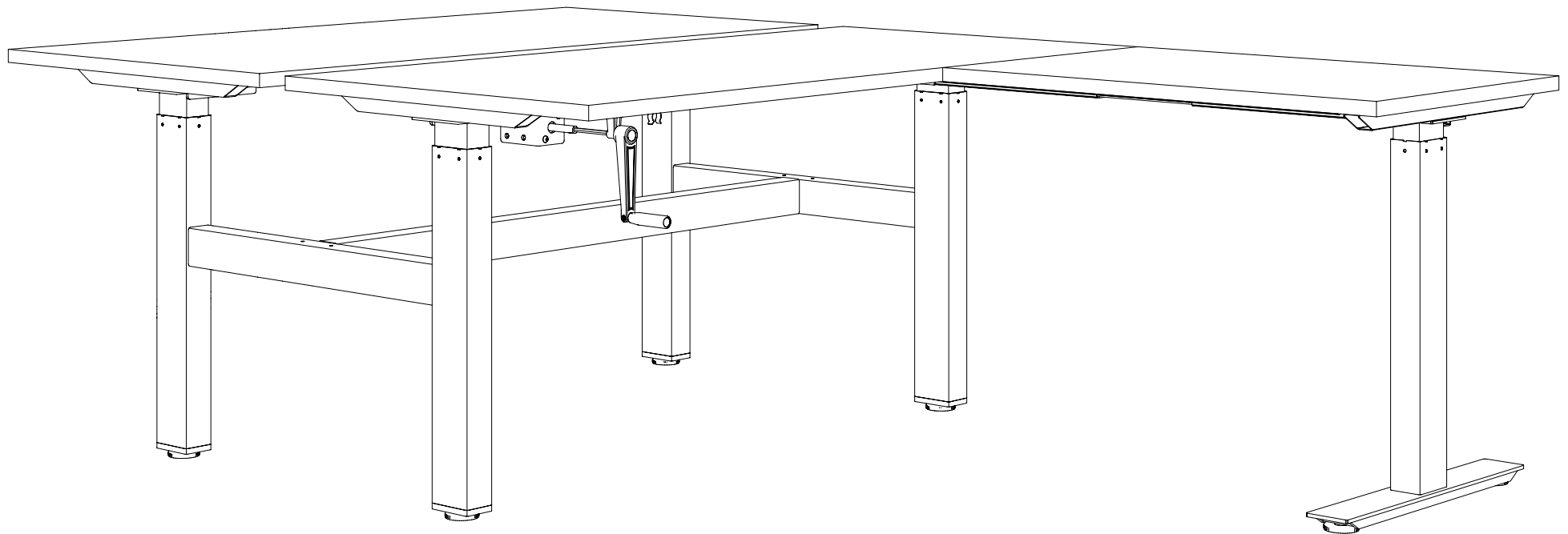


*Shown with 1 piece workstation top option*

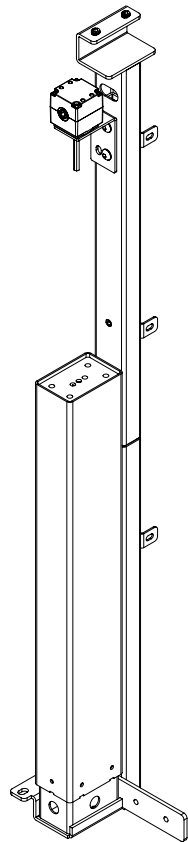
# Agile Desk - Winder Return RH Double Sided Desk

## Assembly Instructions

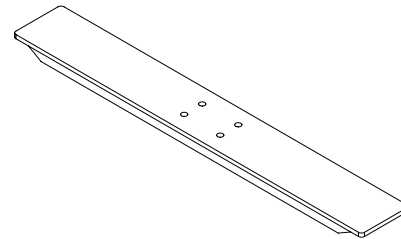
### Completed



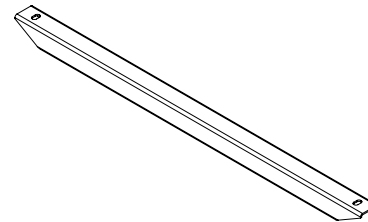
### Parts



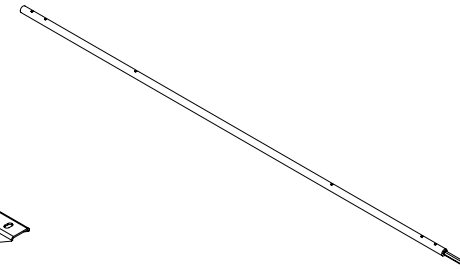
1 x Return Leg



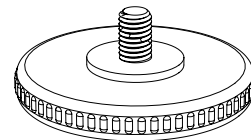
1 x Foot



1 x Support Bar



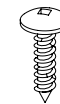
1 x Drive Bar



2 x Levelling Foot



4 x M8x25



5 x ST5x23



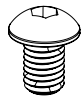
4 x M8x10



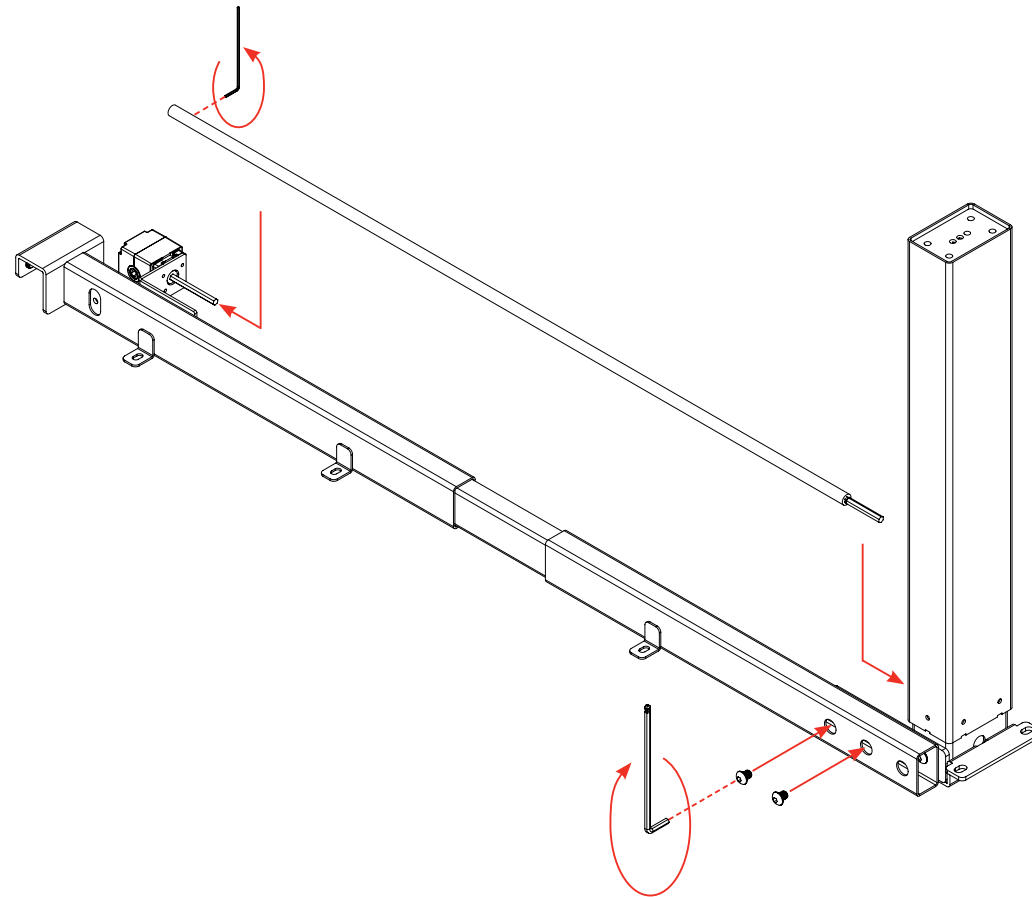
# Agile Desk - Winder Return Left Hand

## Assembly Instructions

### Step 1



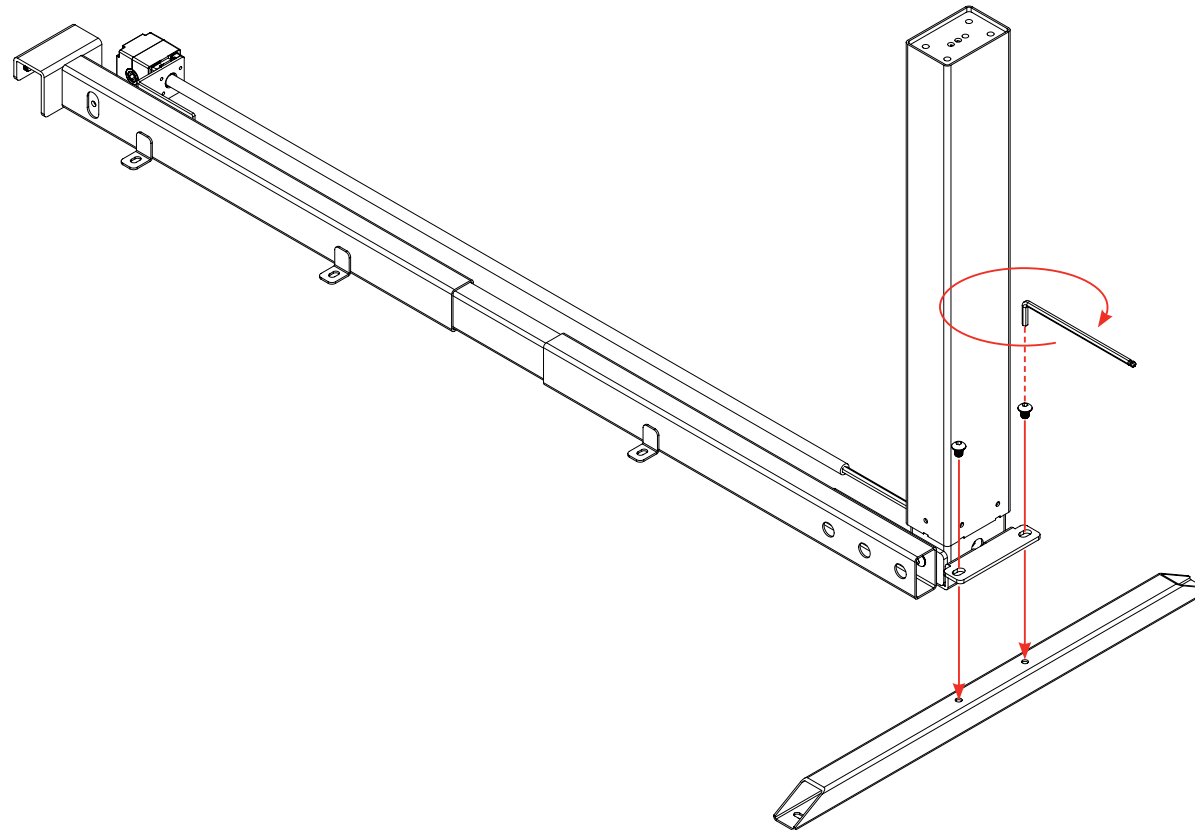
2 x M8x10



### Step 2



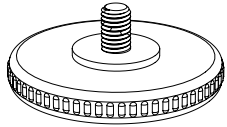
2 x M8x10



# Agile Desk - Winder Return Left Hand

## Assembly Instructions

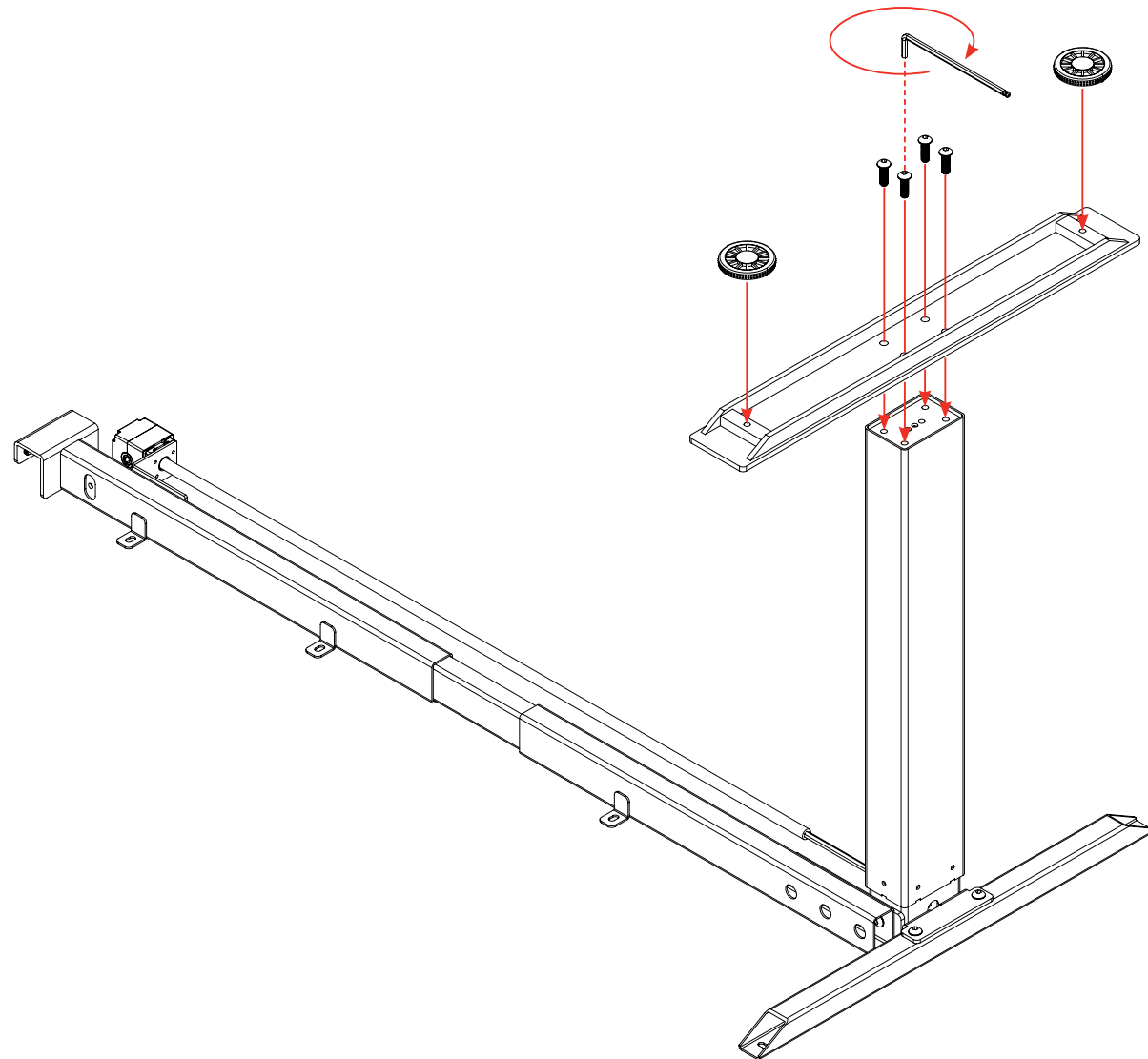
### Step 3



2 x Levelling Foot



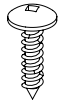
4 x M8x25



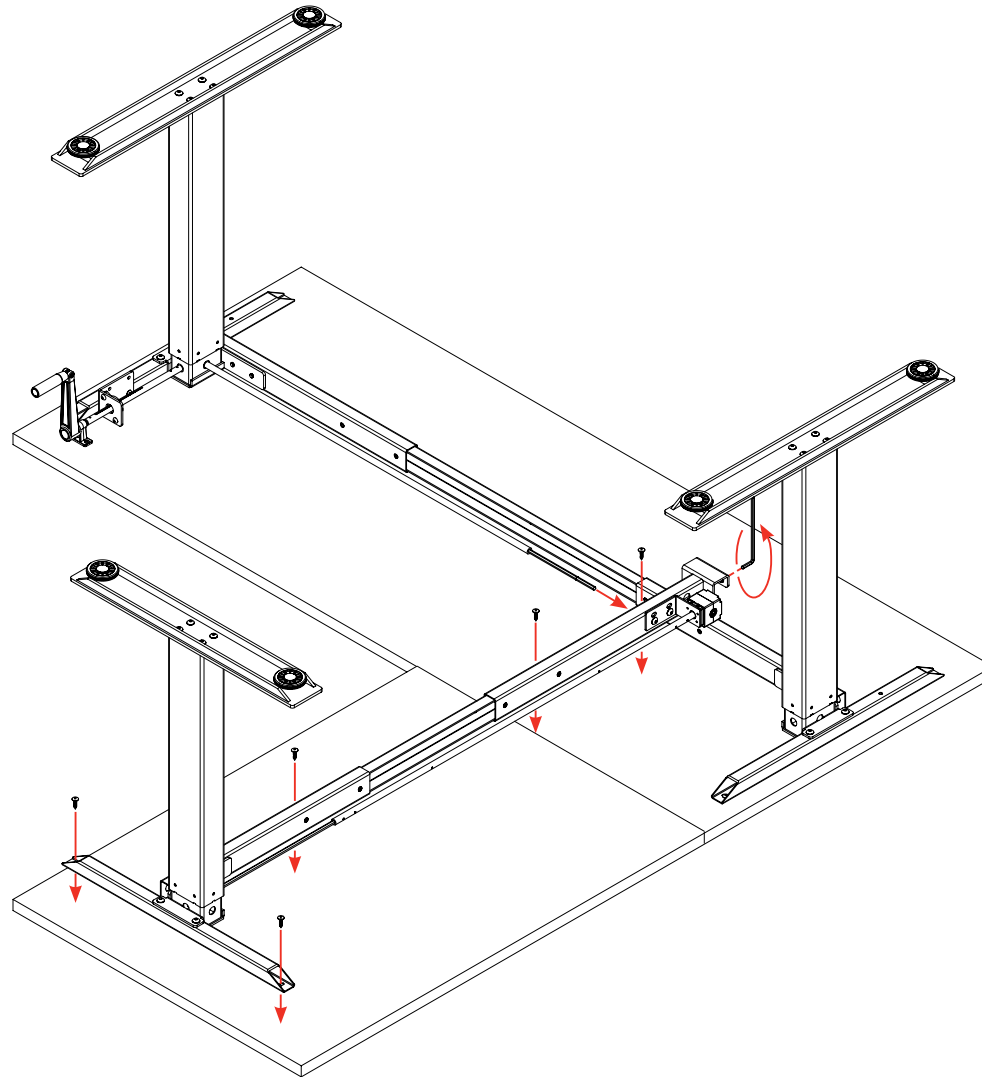
# Agile Desk - Winder Return LH Single Sided Desk

## Assembly Instructions

### Step 1



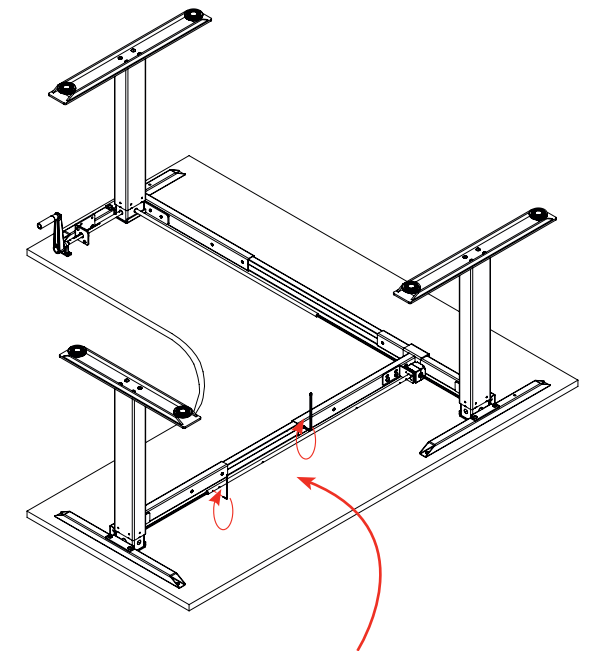
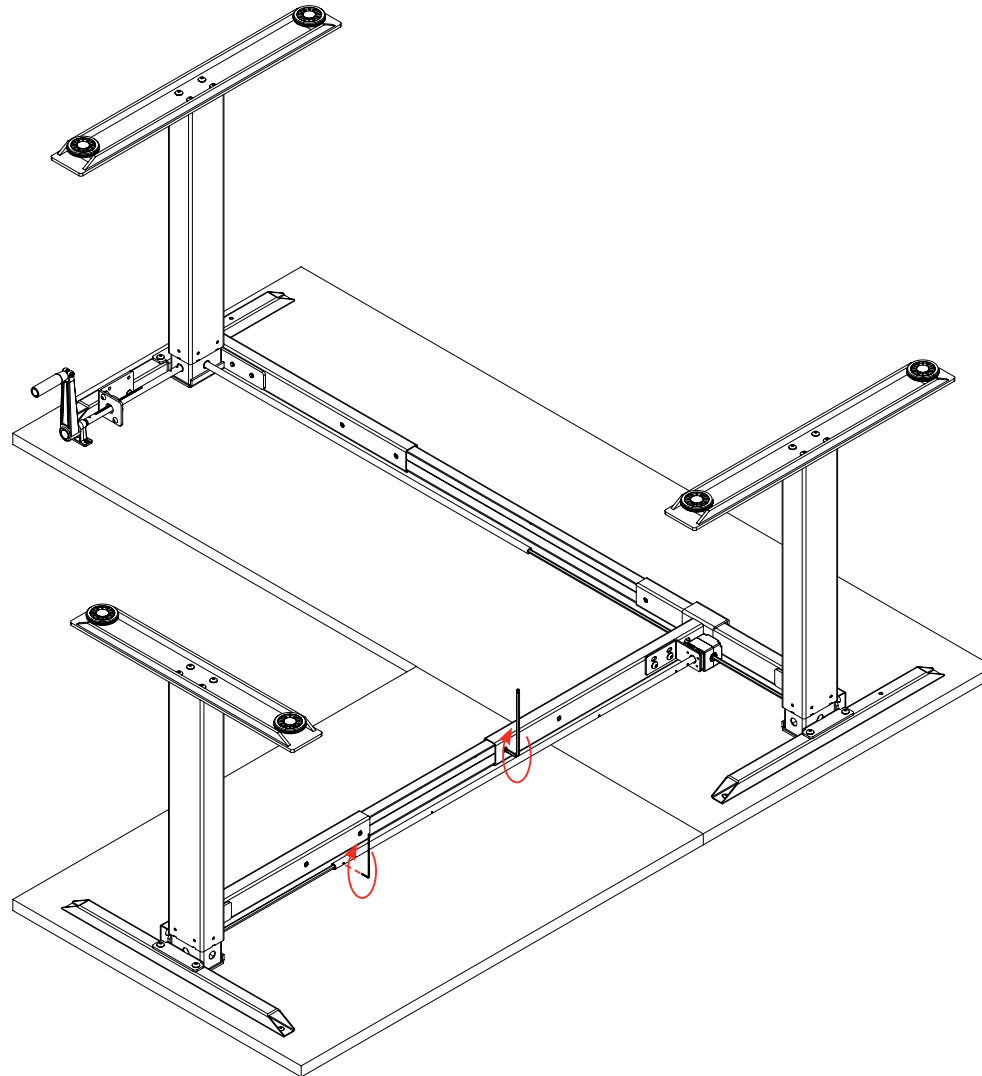
5 x ST5x23



### **IMPORTANT!**

**REFER TO PAGE 4 OF THE INSTRUCTIONS TO ASSEMBLE THE WINDER SINGLE SIDE DESK FRAME AND TOP.**

### Step 2

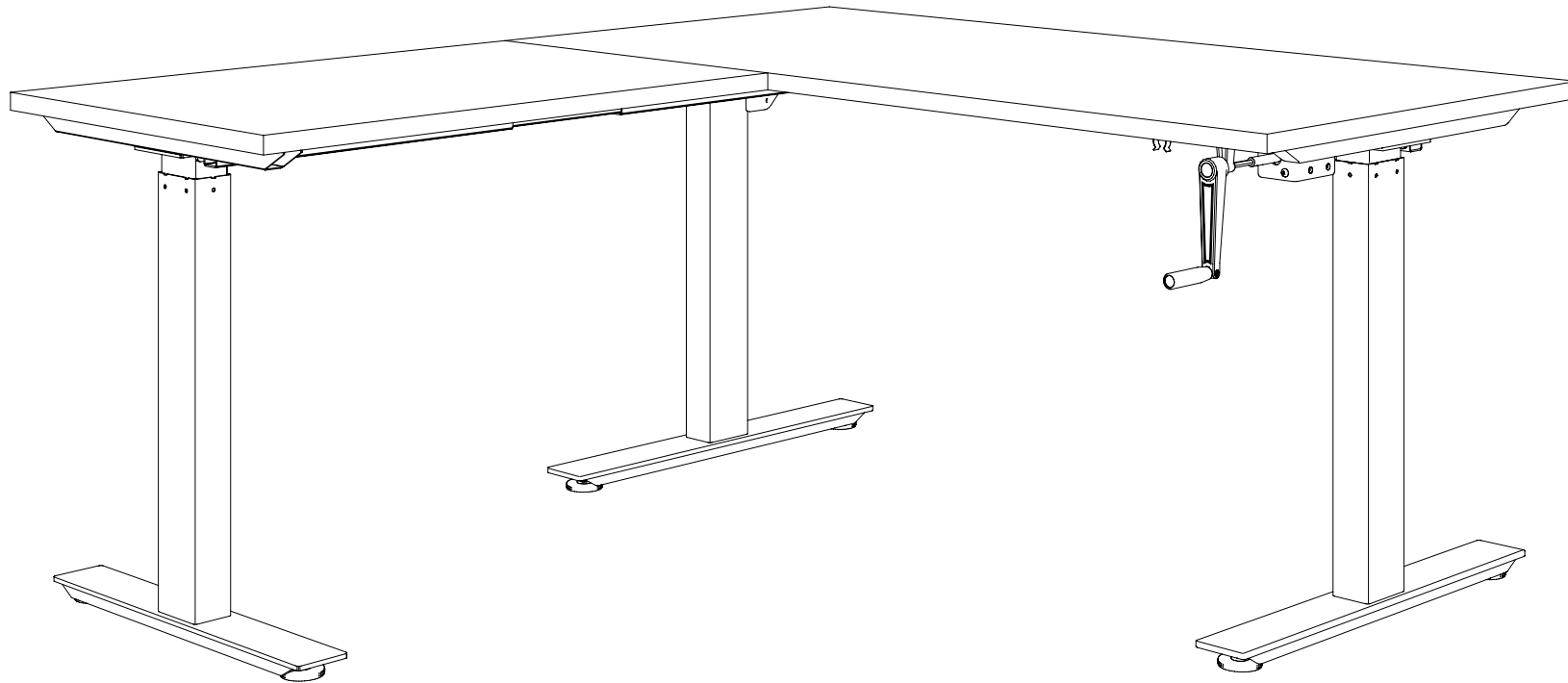


*Shown with 1 piece workstation top option*

# Agile Desk - Winder Return LH Single Sided Desk

## Assembly Instructions

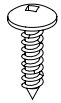
### Completed



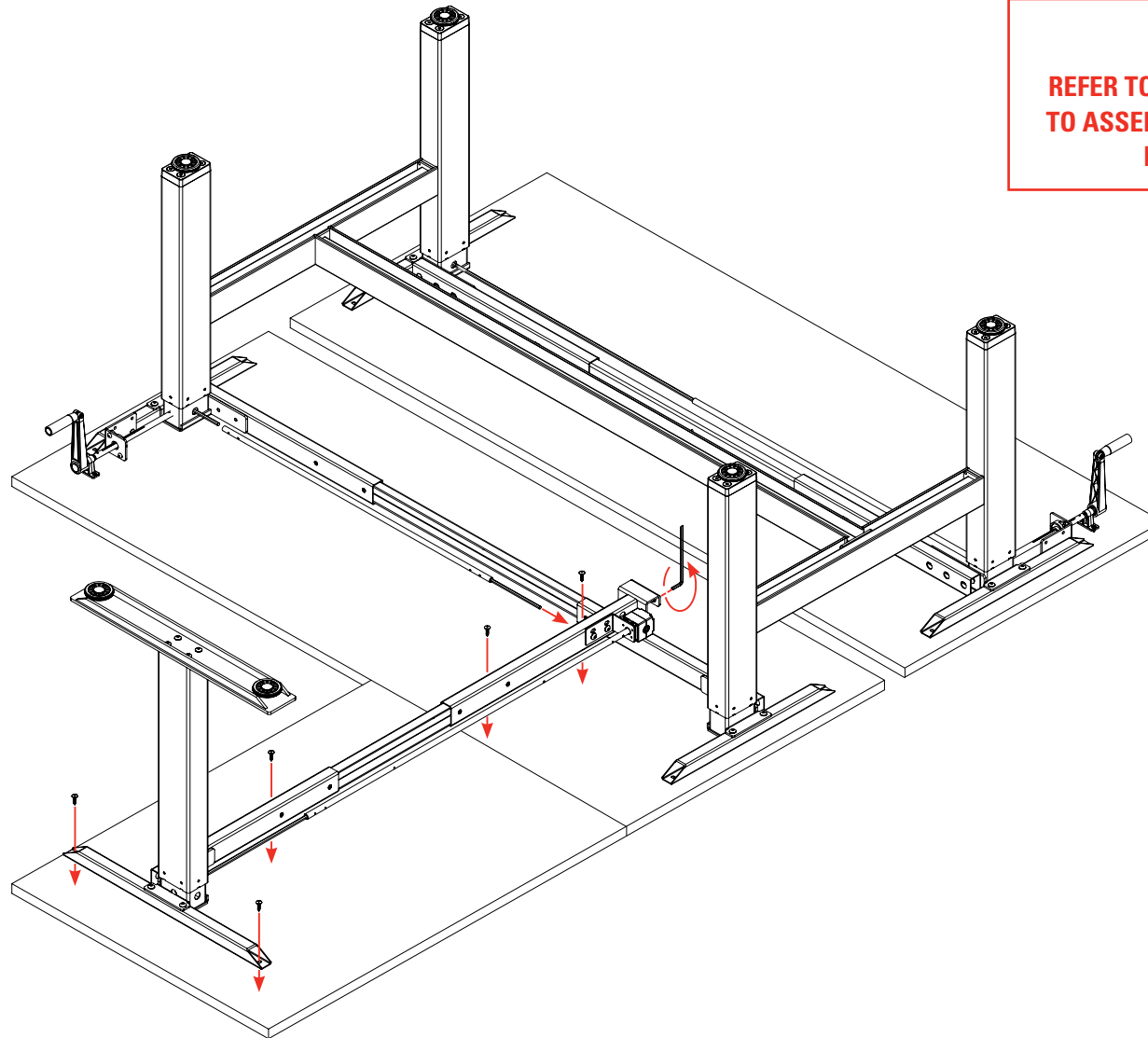
# Agile Desk - Winder Return LH Double Sided Desk

## Assembly Instructions

### Step 1



5 x ST5x23



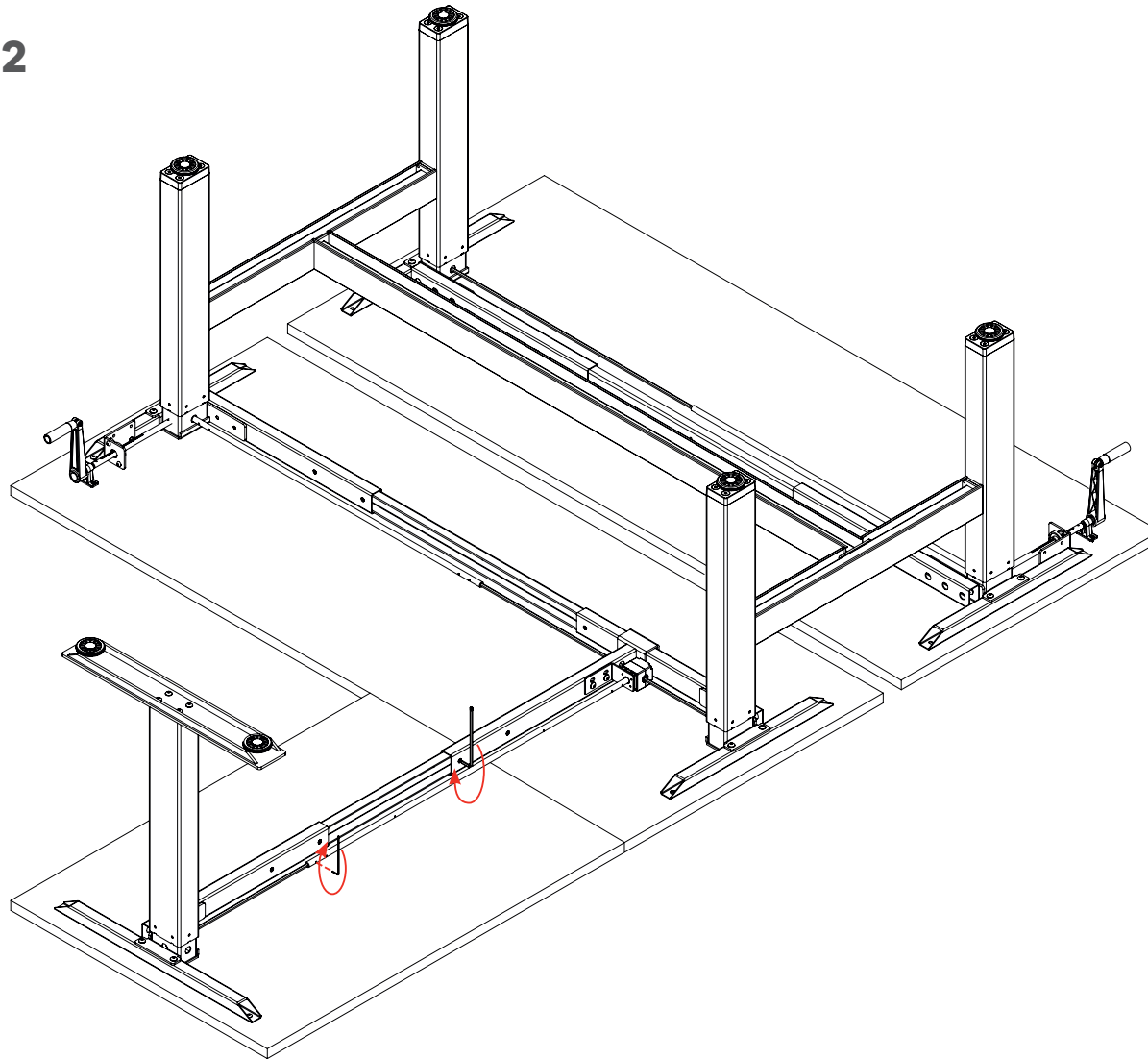
**IMPORTANT!**

**REFER TO PAGE 29 OF THE INSTRUCTIONS  
TO ASSEMBLE THE WINDER DOUBLE SIDE  
DESK FRAME AND TOPS.**

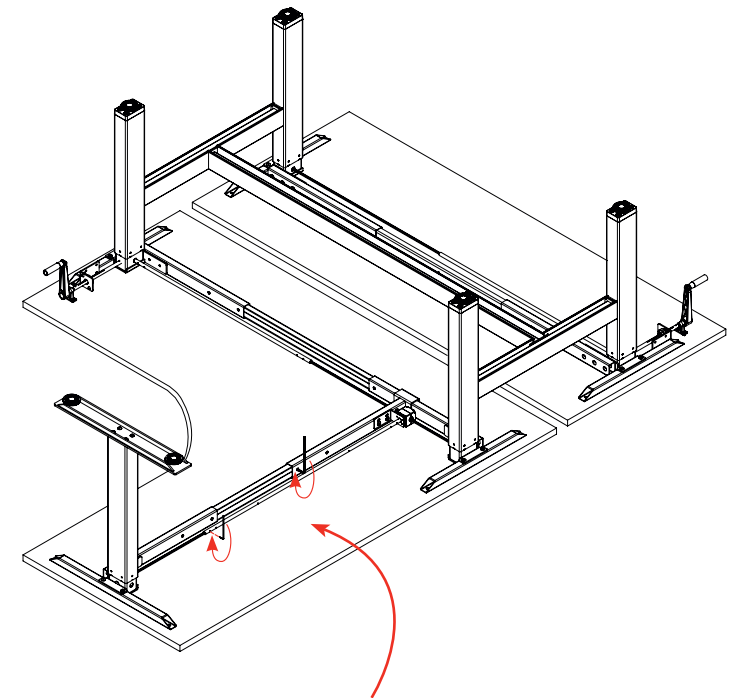
# Agile Desk - Winder Return LH Double Sided Desk

## Assembly Instructions

### Step 2



**IMPORTANT!**  
REPEAT & MIRROR INSTRUCTIONS ON  
PAGE 75-76 TO ADD A LEFT RETURN TO  
THE OPPOSITE WORKTOP.



*Shown with 1 piece workstation top option*



# Agile Desk - Winder Return LH Double Sided Desk

## Assembly Instructions

---

### Completed

