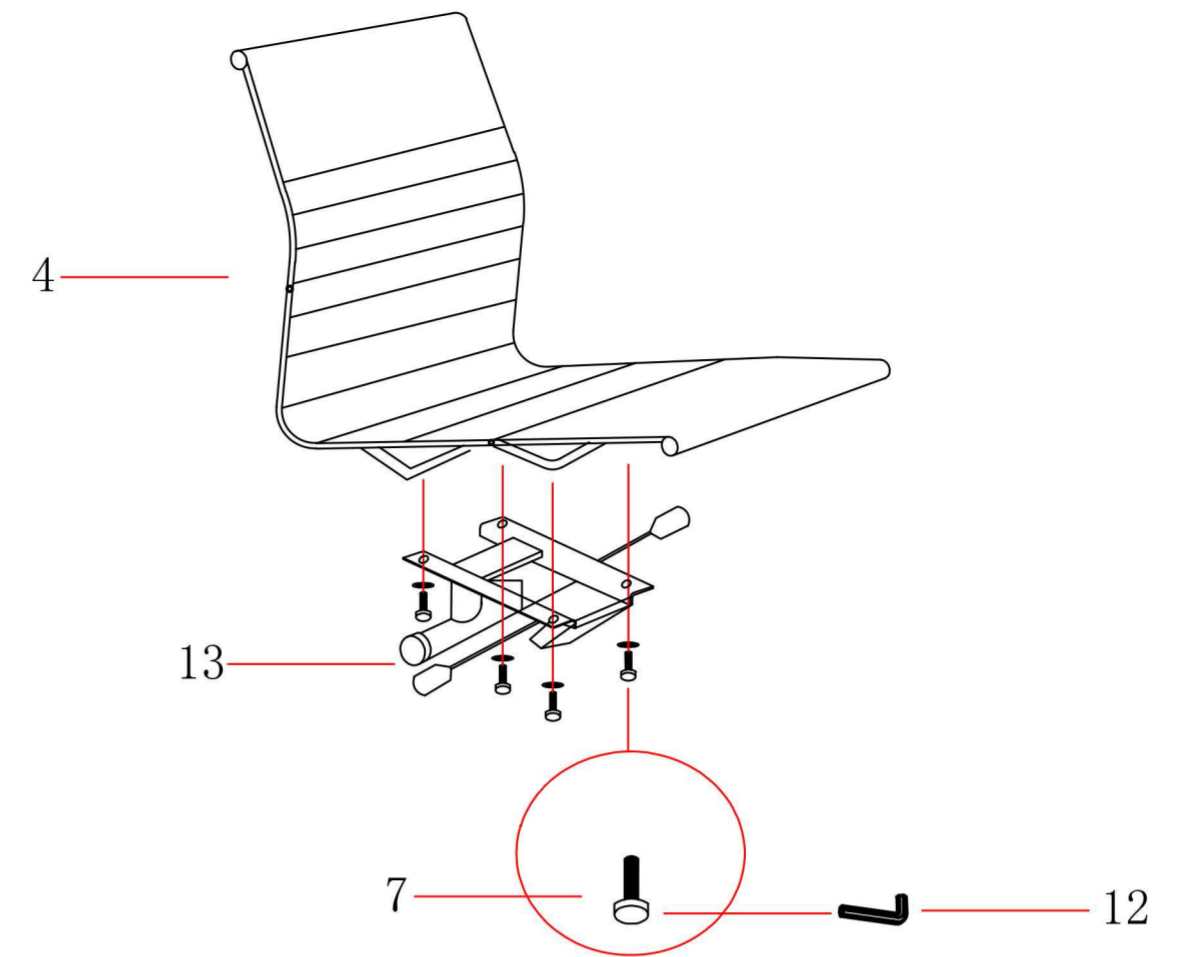
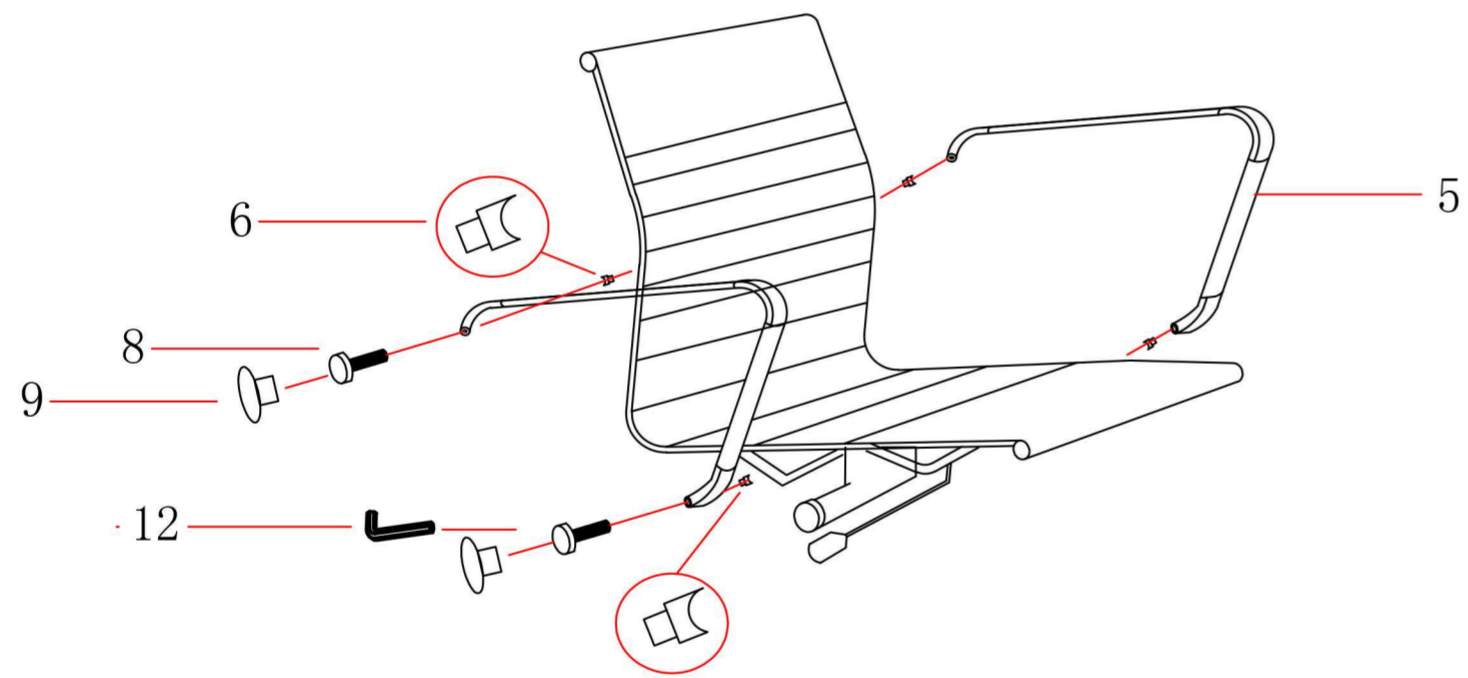


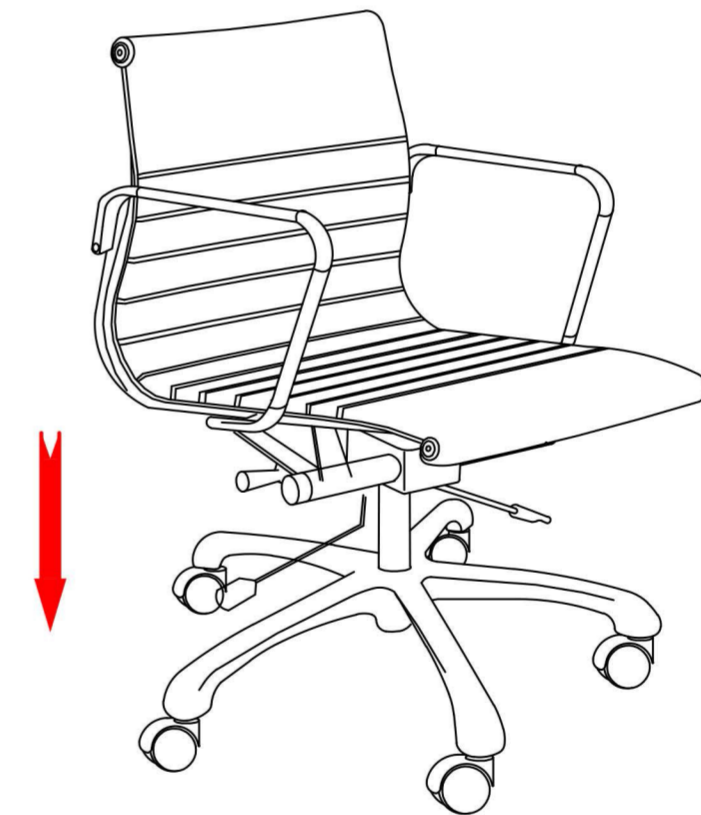
Step 1



Step 2



Step 3



Step 4

8741B	NO.	1	2	3	4	5	6	7	8	9			12	13
	SKETCH													
	SIZE					Left&right	M8*50mm	M8*16mm						
	QTY	1pcs	1pcs	5pcs	1pcs	2pcs	4pcs	4pcs	4pcs	4pcs			1pcs	1pcs